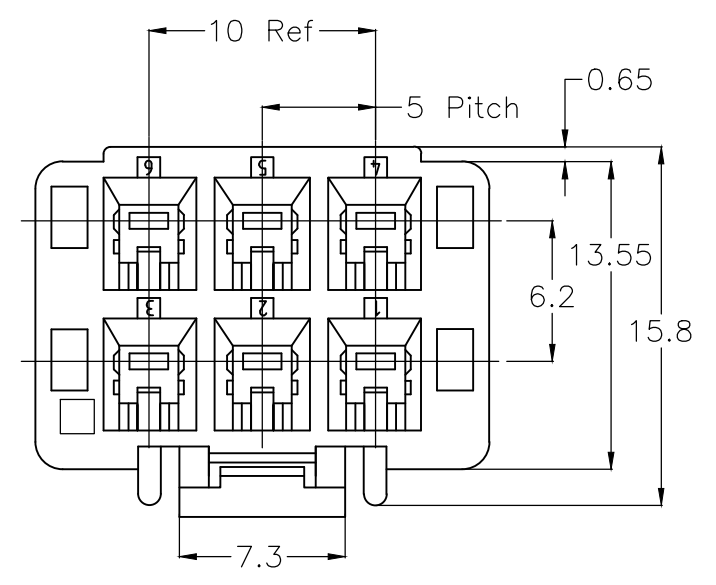


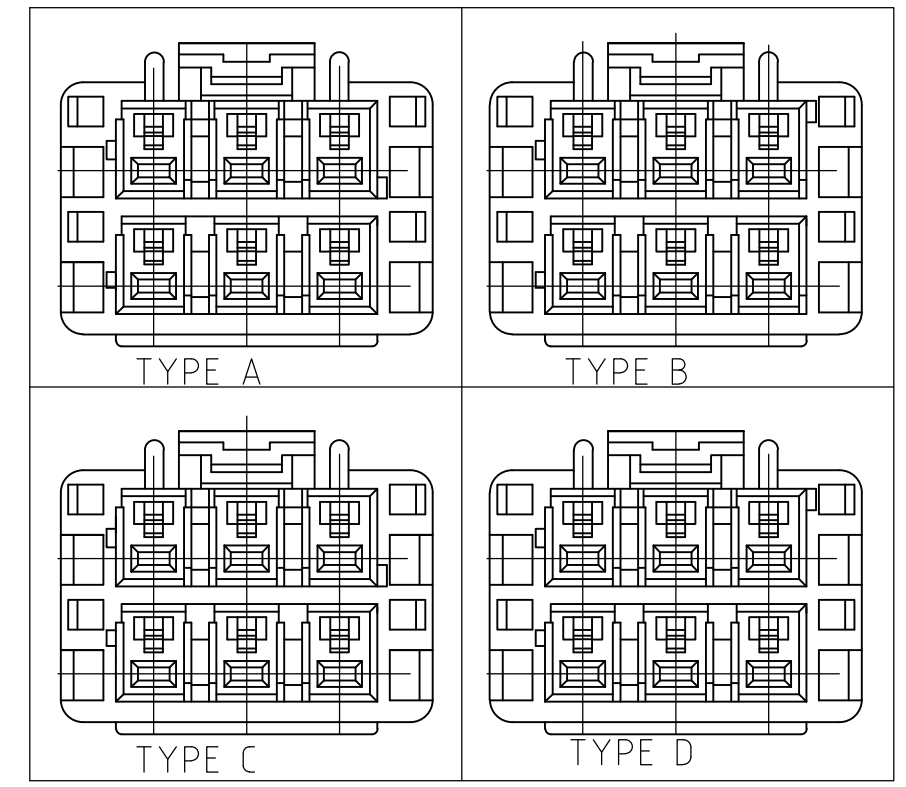
THIS DRAWING IS UNPUBLISHED. RELEASED FOR PUBLICATION  
 © COPYRIGHT - By - ALL RIGHTS RESERVED.

| REVISIONS |     |                           |           |     |      |
|-----------|-----|---------------------------|-----------|-----|------|
| P         | LTR | DESCRIPTION               | DATE      | DWN | APVD |
| C1        |     | REVISED PER ECO-17-008188 | 10NOV2017 | C.X | D.Z  |

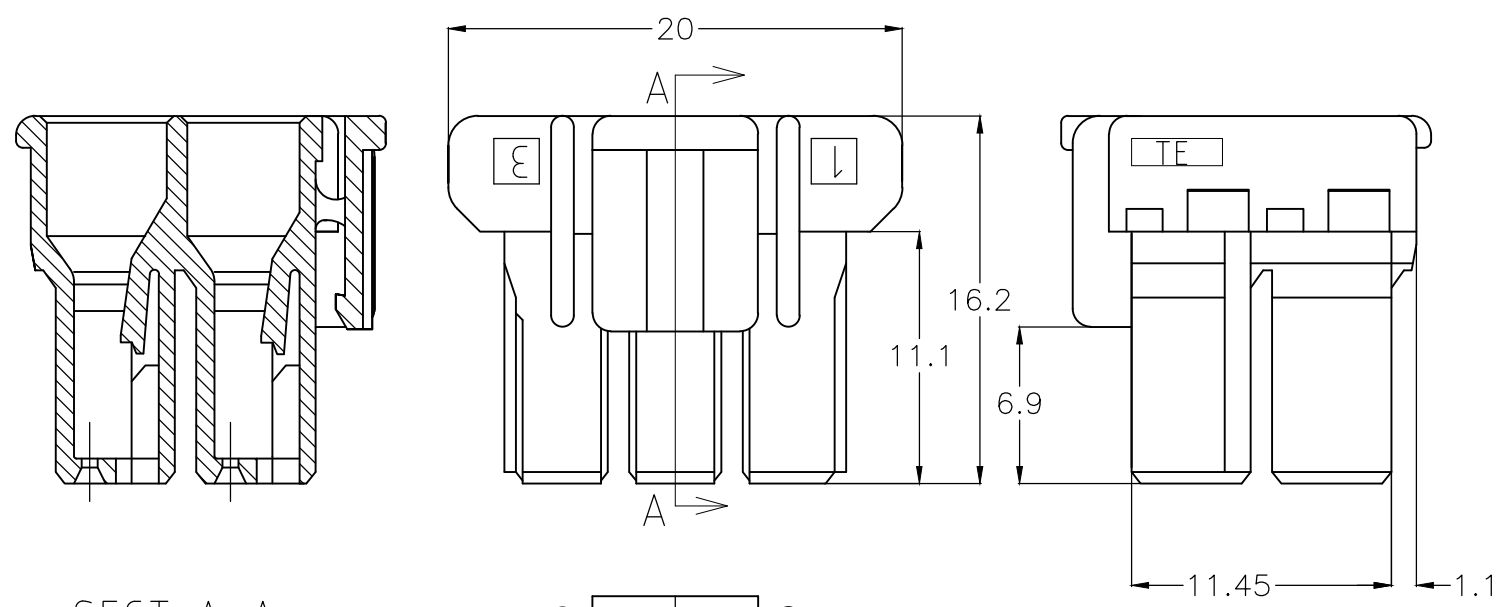


- 1 MATING CONN. P/N  
HEADER ASS'Y :SEE TABLE  
REC CONTACT ;1376347-1,1376348-1.
- 2 PARTS MEET IEC 60335-1 (GWT GLOW  
WIRE TEST 750 DEGREE SPEC).
- 3 NYLON 66, GWT, V-0.

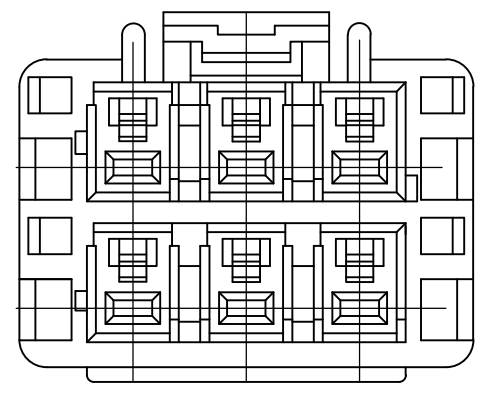
THE TYPE OF KEYING



|        |                        |
|--------|------------------------|
| HOSING | 6/6 NYLON GRASS FILLED |
| NAME   | MATERIAL               |



SECT A-A



|   |           |             |        |         |      |             |
|---|-----------|-------------|--------|---------|------|-------------|
| 3 | 1376395-1 | 3-1376387-4 | TYPE D | YELLOW  | 6Pos | 3-1376393-4 |
| 3 | 1376395-1 | 2-1376387-3 | TYPE C | BLUE    | 6Pos | 2-1376393-3 |
| 3 | 1376395-1 | 1-1376387-2 | TYPE B | RED     | 6Pos | 1-1376393-2 |
| 3 | 1376395-1 | 1376387-1   | TYPE A | NATURAL | 6Pos | 1376393-1   |

| APPLICABLE PLATE. P/N | MATING CONN. P/N | THE TYPE OF KEYING | Color | Pos | PART NO. |
|-----------------------|------------------|--------------------|-------|-----|----------|
|-----------------------|------------------|--------------------|-------|-----|----------|

|  |  |                               |   |              |                      |
|--|--|-------------------------------|---|--------------|----------------------|
| THIS DRAWING IS A CONTROLLED DOCUMENT.                                 |  | DWN<br>A.OISHI<br>31AUG00     | TE Connectivity<br><b>5.0 POWER KEY CONNECTOR<br/>6P PLUG HOUSING(2ROW)</b> |              |                      |
| DIMENSIONS:<br>mm  |  | CHK<br>Y.KASHIWA<br>28AUG'00  |   |              |                      |
| TOLERANCES UNLESS OTHERWISE SPECIFIED:                                 |  | APVD<br>Y.KASHIWA<br>28AUG'00 | NAME  |              |                      |
| 0 PLC ± 0.2<br>1 PLC ±<br>2 PLC ±<br>3 PLC ±<br>4 PLC ±<br>ANGLES ± 1° |  | PRODUCT SPEC<br>108-5699      | SIZE  |              |                      |
| MATERIAL<br>SEE TABLE  |  | FINISH<br>SEE TABLE           | APPLICATION SPEC<br>114-5292  |              | CAGE CODE<br>A300779 |
|  |  | WEIGHT                        | DRAWING NO<br>C-1376393   |              | RESTRICTED TO        |
|  |  | CUSTOMER DRAWING              |   | SCALE<br>3:1 | SHEET<br>1 OF 2      |
|  |  |                               |   | REV<br>C1    |                      |

THIS DRAWING IS UNPUBLISHED.

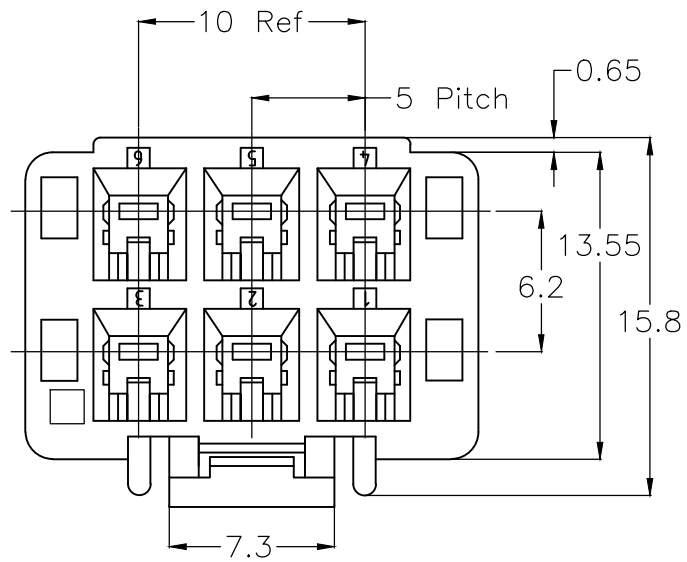
RELEASED FOR PUBLICATION

ALL RIGHTS RESERVED.

© COPYRIGHT - By -

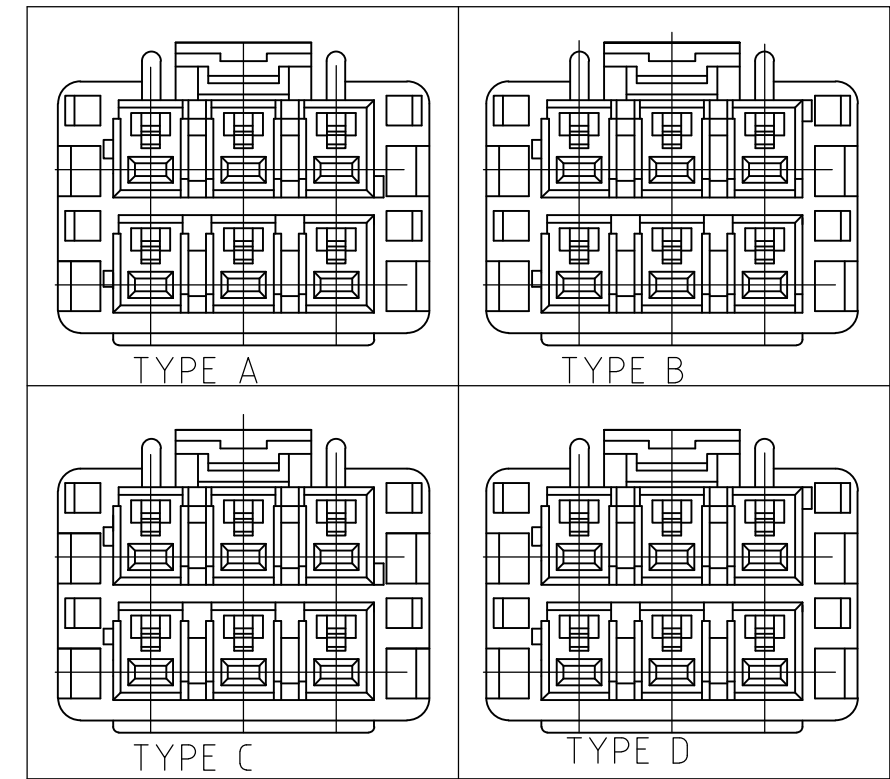
REVISIONS

| P | LTR | DESCRIPTION | DATE | DWN | APVD |
|---|-----|-------------|------|-----|------|
| - | -   | SEE SHEET 1 | -    | -   | -    |

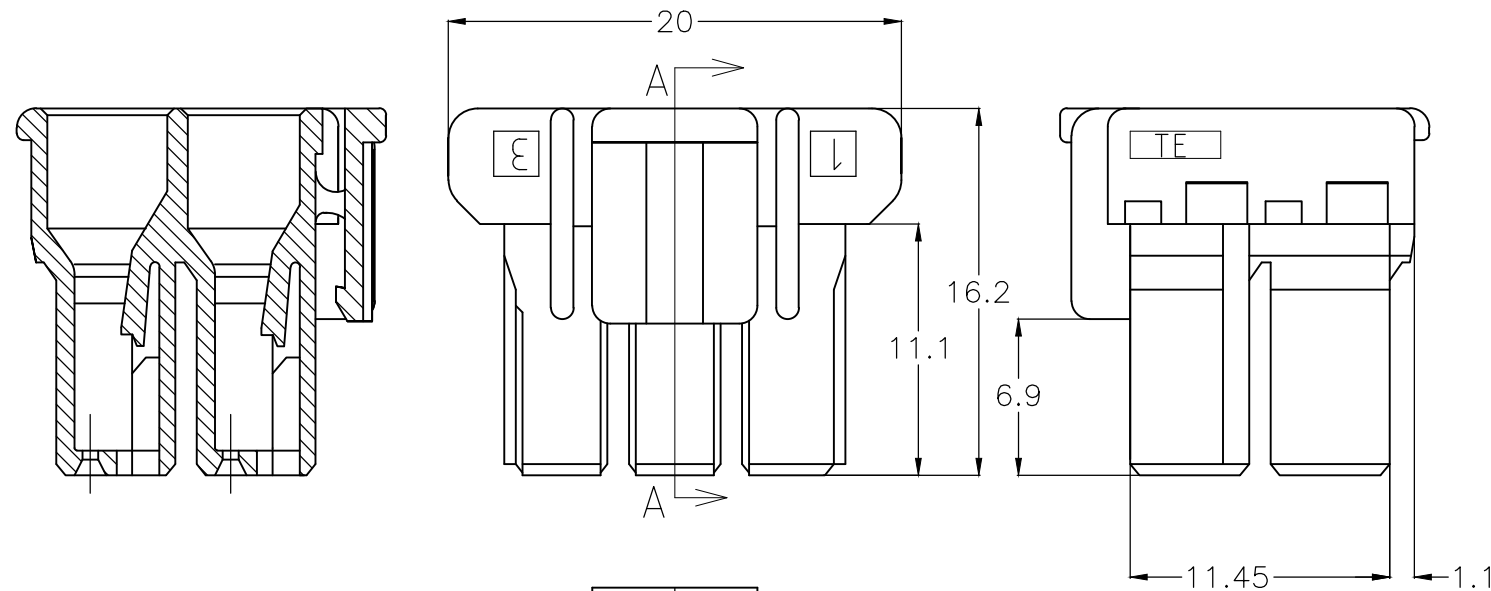


1 MATING CONN. P/N  
 HEADER ASS'Y :SEE TABLE  
 REC CONTACT ;1376347-1,1376348-1.

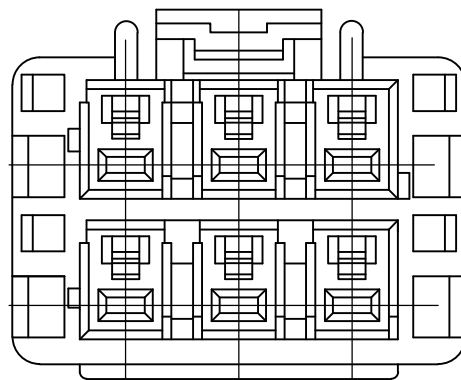
THE TYPE OF KEYING



|        |                  |
|--------|------------------|
| HOSING | 6/6 NYLON W/O GF |
| NAME   | MATERIAL         |



SECT A-A



|                       |                  |                    |         |      |             |
|-----------------------|------------------|--------------------|---------|------|-------------|
| 1376395-1             | 3-1376387-5      | TYPE D             | YELLOW  | 6Pos | 3-1376393-5 |
| 1376395-1             | 2-1376387-4      | TYPE C             | BLUE    | 6Pos | 2-1376393-4 |
| 1376395-1             | 1-1376387-3      | TYPE B             | RED     | 6Pos | 1-1376393-3 |
| 1376395-1             | 1376387-2        | TYPE A             | NATURAL | 6Pos | 1376393-2   |
| APPLICABLE PLATE. P/N | MATING CONN. P/N | THE TYPE OF KEYING | Color   | Pos  | PART NO.    |

|  |  |                               |   |              |                    |                         |                    |
|--|--|-------------------------------|---|--------------|--------------------|-------------------------|--------------------|
| THIS DRAWING IS A CONTROLLED DOCUMENT.                                     |  | DWN<br>A.OISHI<br>31AUG00     | <b>TE Connectivity</b>  |              |                    |                         |                    |
| DIMENSIONS:<br>mm  |  | CHK<br>Y.KASHIWA<br>28AUG'00  |   |              |                    |                         |                    |
| TOLERANCES UNLESS OTHERWISE SPECIFIED:                                     |  | APVD<br>Y.KASHIWA<br>28AUG'00 | <b>5.0 POWER KEY CONNECTOR<br/>         6P PLUG HOUSING(2ROW)</b> |              |                    |                         |                    |
| <br>0 PLC ± 0.2<br>1 PLC ±<br>2 PLC ±<br>3 PLC ±<br>4 PLC ±<br>ANGLES ± 1° |  | NAME<br>108-78863             |   |              |                    |                         |                    |
| MATERIAL<br>SEE TABLE  |  | FINISH<br>SEE TABLE           | PRODUCT SPEC<br>114-5292  | SIZE<br>A3   | CAGE CODE<br>00779 | DRAWING NO<br>C-1376393 | RESTRICTED TO<br>- |
| CUSTOMER DRAWING   |  |                               | WEIGHT<br>1.73g   | SCALE<br>3:1 | SHEET<br>2 OF 2    | REV<br>C1               |                    |

## X-ON Electronics

Largest Supplier of Electrical and Electronic Components

*Click to view similar products for [Power to the Board](#) category:*

*Click to view products by [TE Connectivity](#) manufacturer:*

Other Similar products are found below :

[6450171-4](#) [6450552-7](#) [6600323-8](#) [6643429-1](#) [6646040-2](#) [6651939-1](#) [6766604-1](#) [120959-1](#) [1393557-2](#) [1393532-2](#) [1393532-3](#) [1393532-4](#)  
[1393557-1](#) [1600812-5](#) [1-6450861-2](#) [1744132-7](#) [1761122-1](#) [1766250-1](#) [1892109-1](#) [2-6450860-5](#) [2-6450870-0](#) [1-6450161-4](#) [1-6450850-6](#) [1-6450869-6](#) [1645526-2](#) [1-6600130-0](#) [2005243-2](#) [377-0020-11130](#) [TE34-12-16P-F0](#) [5-6450830-6](#) [5646956-4](#) [377-0080-11131A](#) [4-6450830-9](#)  
[4-6600333-3](#) [10125416-4050LF](#) [6600320-3](#) [3-6450860-5](#) [1888123-2](#) [6450166-1](#) [6643978-1](#) [6766605-1](#) [701-15-02109](#) [N11444](#) [6651938-1](#)  
[6450810-7](#) [46437-1112](#) [1-1589677-8](#) [5646956-5](#) [6450813-2](#) [6450129-4](#)