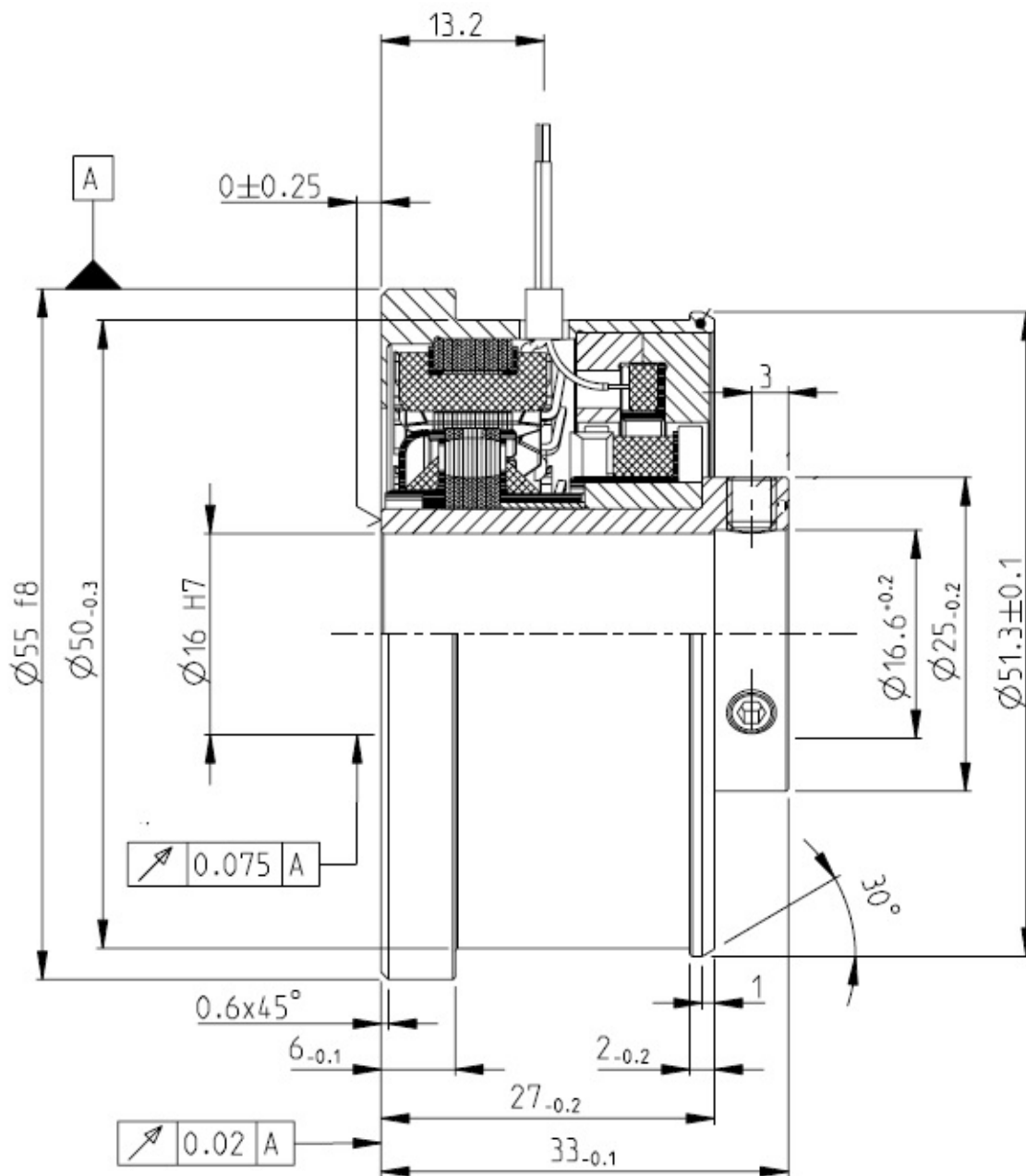




DATA SHEET - HOLLOW SHAFT RESOLVER

PN	3-1393048-1			
Description:	V23401	H9019-B901		
Size	21			
Shaft inner diameter [mm]	16 H7			
Speed - pair of poles - [pp]	1			
Application Spec				
Test protocol	100% EOL testing, stored. Available up on request			
Electrical parameters (at 22°C):				
Input voltage nom. [V _{rms}]	7	Based on nominal Input voltage and Frequency	DC resistance R1R2 [Ω]	21
Frequency nom. [kHz]	7		R1R2 tolerance [±Ω]	2,1
Input current max [mA]	40		DC resistance S1S3 or S2S4 [Ω]	22
Transformation ratio rT [±]	0,45		S1S3 or S2S4 tolerance [±Ω]	2,2
Transf. ratio tolerance [%]	5			
Phase shift min [°]	-9			
Phase shift max [°]	1			
Angular Error [±']	10			
Residual voltage max [mV]	25			
Connect. Wire Length [mm]	470, AWG 26 Teflon Isolated			
High Voltage test	Voltage: 500	$V_{AC} \pm 3\%$ (A)	Measured between:	
	250	$V_{AC} \pm 3\%$ (B)	A: Winding R1-R2 and housing	
	Time: 1s		Winding S1-S3 and housing	
Isolation test	Voltage: 500	$V_{DC} \pm 5\%$ (A, B)	B: Windings S1-S3 and S2-S4	
	Criterion:	$R_{isol.} > 50M\ Ohm$		
"Zero" setting:	Ele. "0" is when Winding Us2-s4 = 0 and Us1-s3 are in phase with Ur1-r2			
Transformation function	Function applies to the clockwise rotation of the rotor when looking at the (grooveless) transformer component from the top			
	$U_{S1-S3} = +rT * U_{R1-R2} * \cos(pp * \varphi)$			
	$U_{S2-S4} = +rT * U_{R1-R2} * \sin(pp * \varphi)$			
Rotor Inertia	approx. $20\ g/cm^2$			
Max. Rotational Speed	20.000 rpm			
Shock resistance (11ms sine)	1.000 m/s ²			
Vibration (0 ... 2 kHz)	200 m/s ²			
Operating temp.	-55°C...+150°C			



DATE	PN REV.	DWN	APP	DS. REV
2015-06-25	B	P. Lerchenfeld	D. Ondrej	1
2017-04-26	B	P. Lerchenfeld	D. Ondrej	2

X-ON Electronics

Largest Supplier of Electrical and Electronic Components

Click to view similar products for [Encoders](#) category:

Click to view products by [TE Connectivity](#) manufacturer:

Other Similar products are found below :

[6-1393048-0](#) [6-1393048-5](#) [62AG22-H5-P](#) [63R100](#) [700-09-36](#) [2-1393047-2](#) [25LB22-G-Z](#) [T101-5C3-111-M1](#) [385001M0439](#) [385001M0216](#)
[V23401H1409B101](#) [V23401T8002B802](#) [1-1414305-0](#) [E69-1](#) [62B11-LP-100S](#) [62S22-H9-120S](#) [62V15-02-080S](#) [63R64-050](#) [700-16-16](#)
[V23401D3002B301](#) [3-1393048-1](#) [1-1879391-5](#) [GH65C11-N-SO](#) [62S15-M0-P](#) [1393047-1](#) [E69-FCA04](#) [62F01-02-060S](#) [62C1122-01-P](#)
[62S22-H9-030CH](#) [702-01-24](#) [703-20-00](#) [703-05-00](#) [62D15-02-140S](#) [63R25-120](#) [63K128](#) [62B11-LP-040C](#) [61K128-075](#) [62C2211-02-P](#)
[63KS50-040](#) [62F11-01-020S](#) [01036-717](#) [62AG18-L5-020C](#) [31301-004](#) [61KS50-120](#) [01072-229](#) [01072-499](#) [62S22-N2-040C](#) [62S22-L4-020CH](#) [62S11-M9-040SH](#) [31215-003](#)