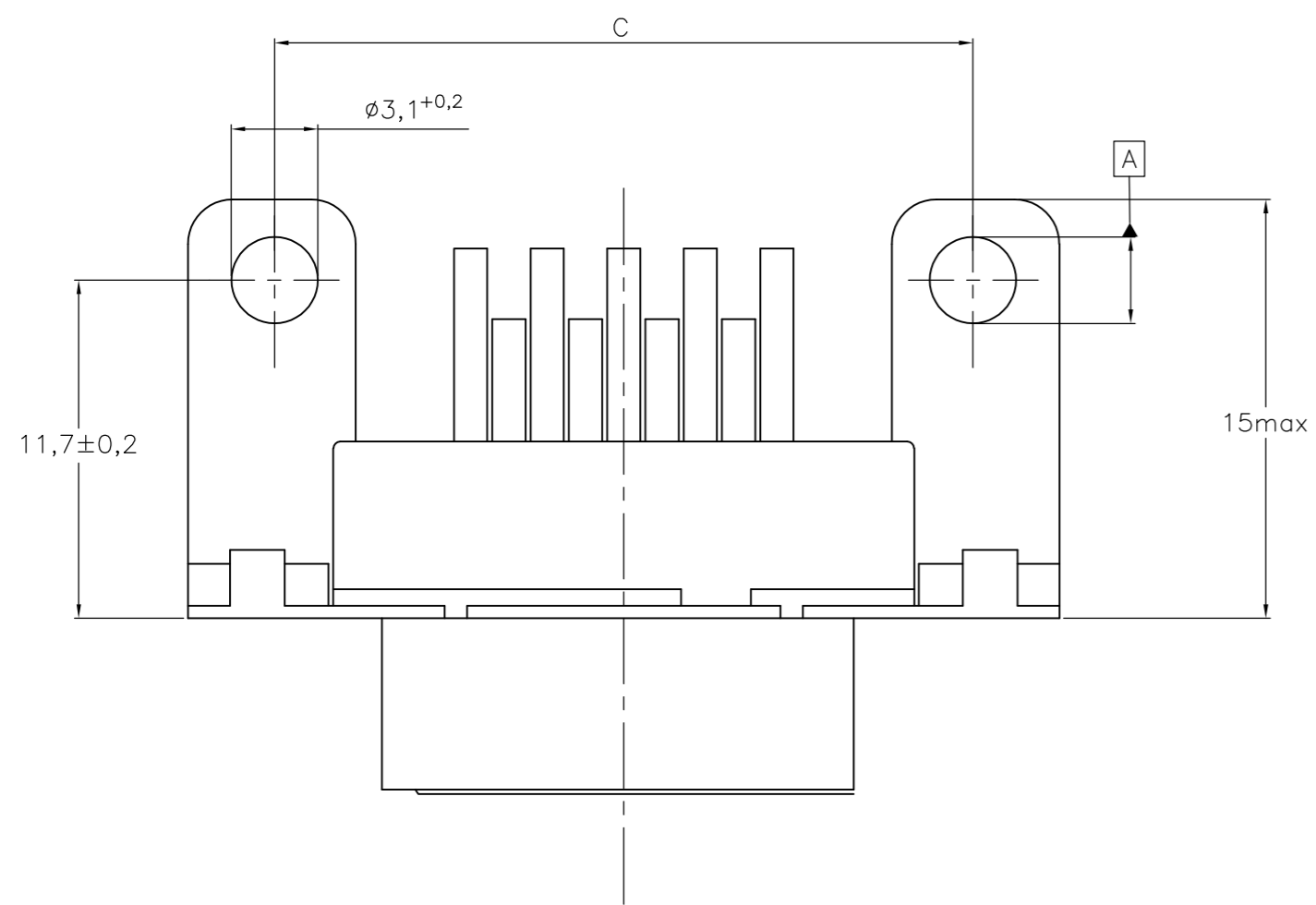
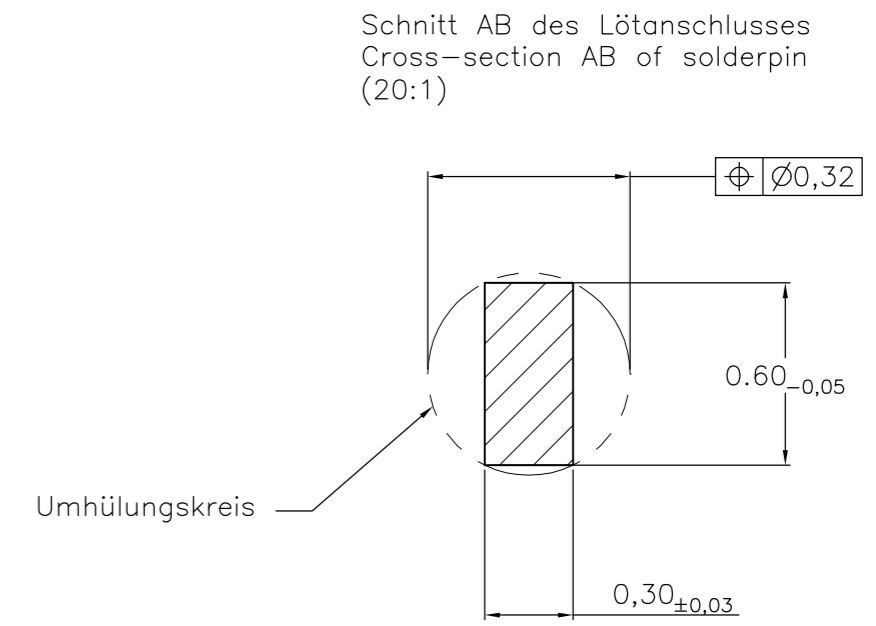
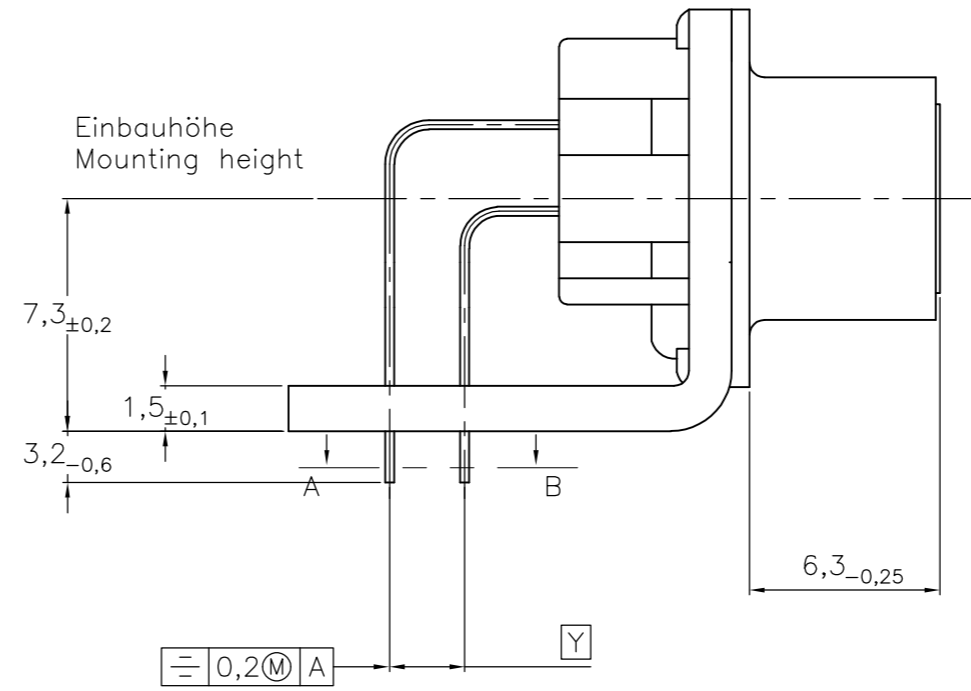
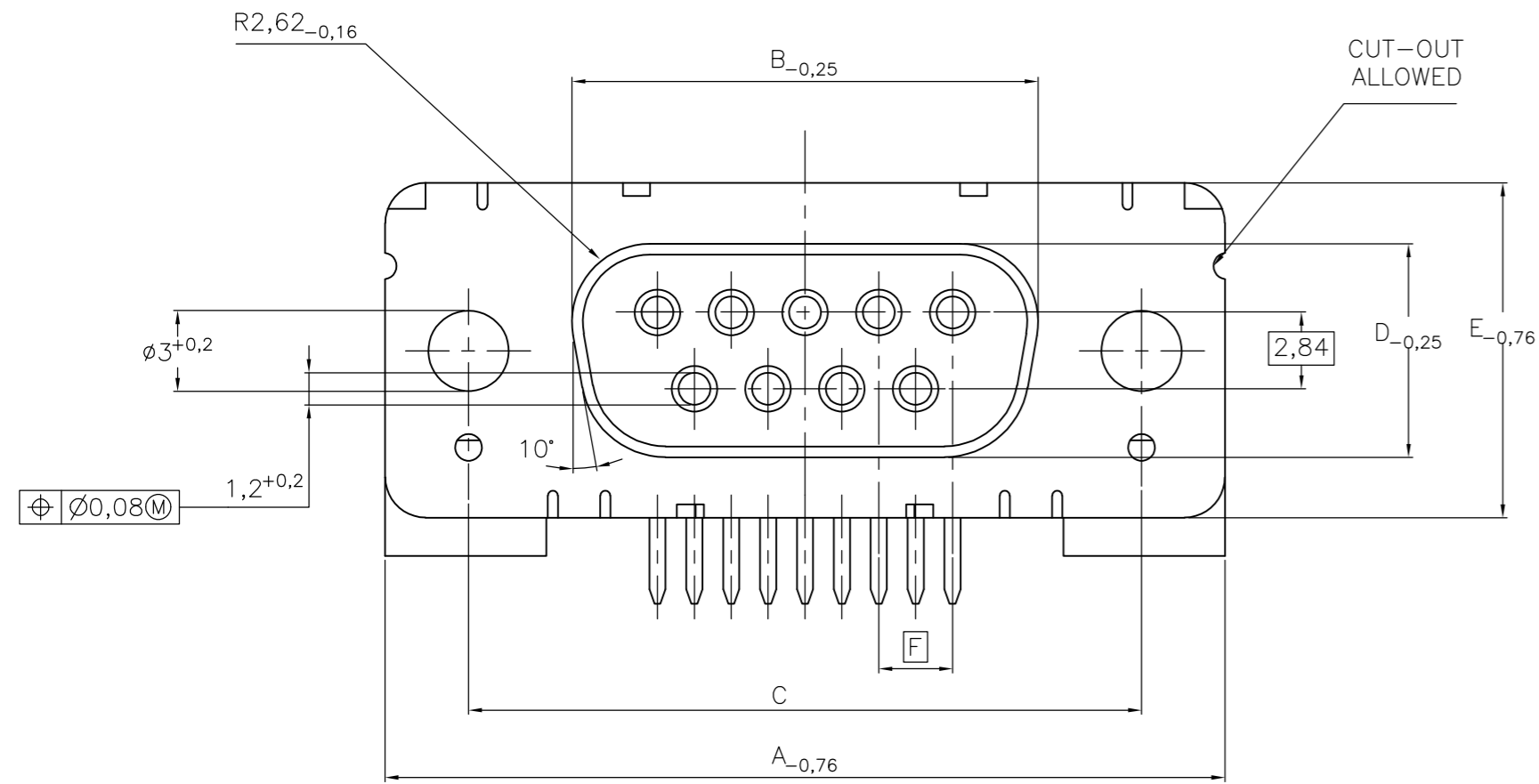


REVISIONS					
P	LTR	DESCRIPTION	DATE	DWN	APVD
G		REVISED PER ECO-16-017117	29NOV2016	AP	DG

Standardausführung: V23529-A<sub>2</sub>1x1-Bxxx-+  
 Standardversion



Sachnr./Ordernr	Y	Ordercode Sachnr	Contacts Polzahl	Mass/Dimension					
				A	B	C	D	E	F
Axx1x-Bxxx-+	2,84	..-Bx09-+	09	31,19	16,46	25,0 <sup>+0,12</sup> / <sub>-0,13</sub>	8,02	12,93	2,74
Axx2x-Bxxx-+	2,54	..-Bx15-+	15	39,52	24,79	33,3 <sup>+0,15</sup> / <sub>-0,1</sub>			2,74
		..-Bx25-+	25	53,42	38,5	47,04 <sup>+0,13</sup> / <sub>-0,13</sub>			2,76
		..-Bx37-+	37	69,7	54,96	63,5 <sup>+0,13</sup> / <sub>-0,13</sub>			2,76

Anforderungsstufe/Performance level 1)

OLD PN: V23529-A\*\*\*\*-B\*\*\*\*-7427

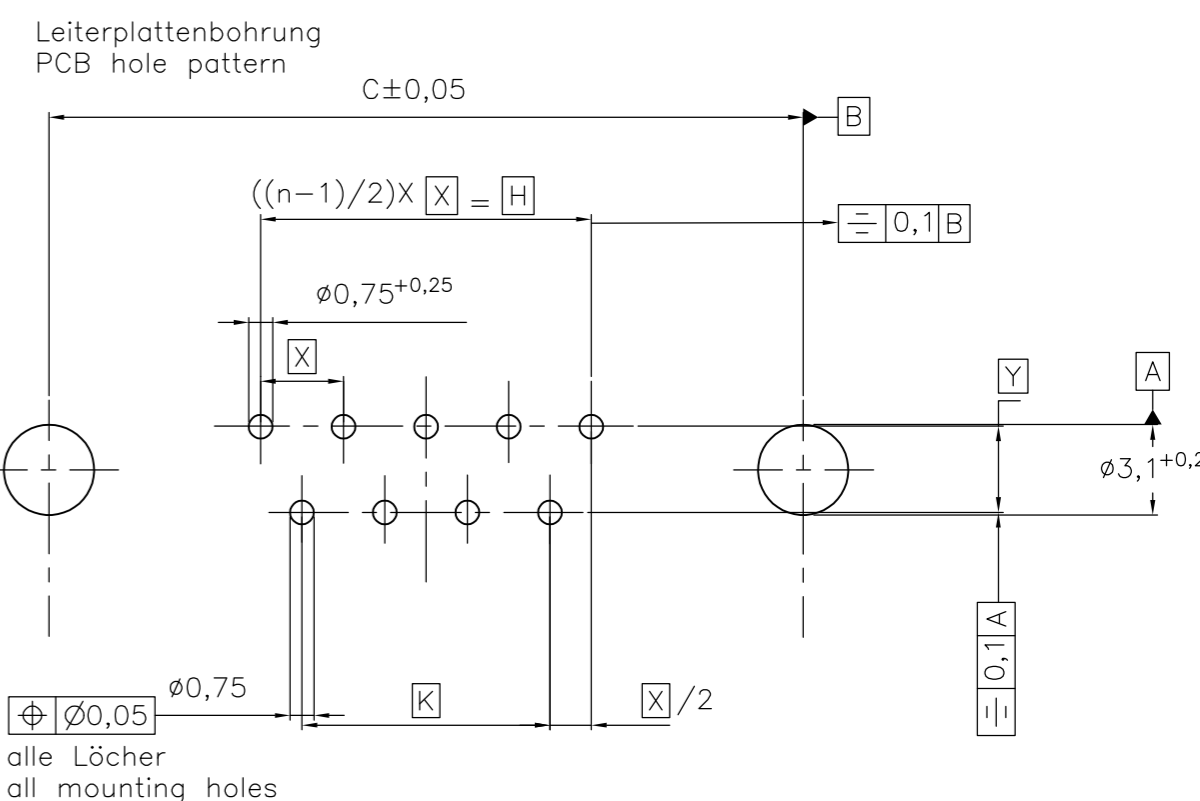
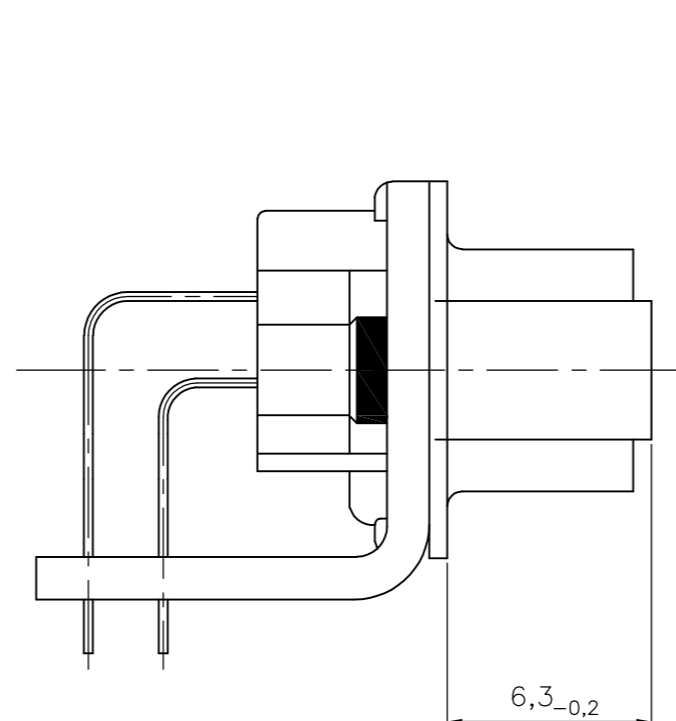
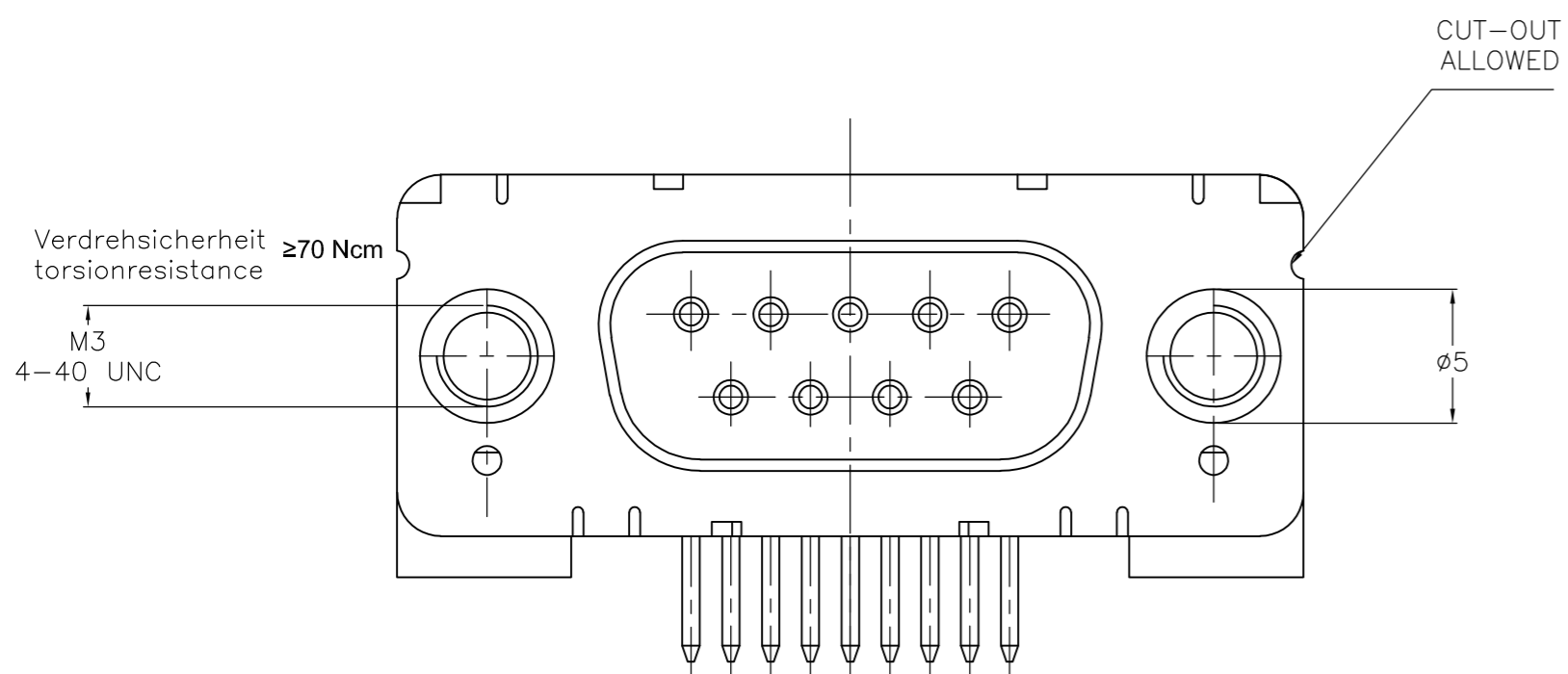
1) nach DIN 41652 T.2 und T.4 according to DIN 41652 p.2 and p.4

THIS DRAWING IS A CONTROLLED DOCUMENT. DIMENSIONING AND TOLERANCING PER ASME Y14.5M-2009		DWN 07JAN10 GNANI JADAV A E		
DIMENSIONS: mm		CHK K.MALCZYK		
TOLERANCES UNLESS OTHERWISE SPECIFIED:		APVD K.MALCZYK	SIZE A2	
0 PLC ± -		PRODUCT SPEC -	CAGE CODE 00779	DRAWING NO C=1393478-4
1 PLC ± -		APPLICATION SPEC -	WEIGHT 0	RESTRICTED TO -
2 PLC ± -		SCALE 2:1	SHEET 1 of 8	REV G
3 PLC ± -		CUSTOMER DRAWING		
4 PLC ± -				
ANGLES ± -				
FINISH -				

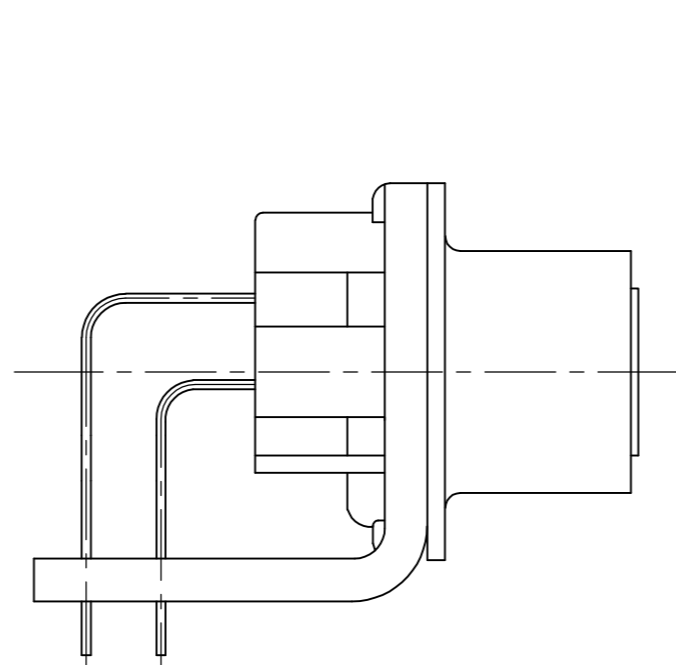
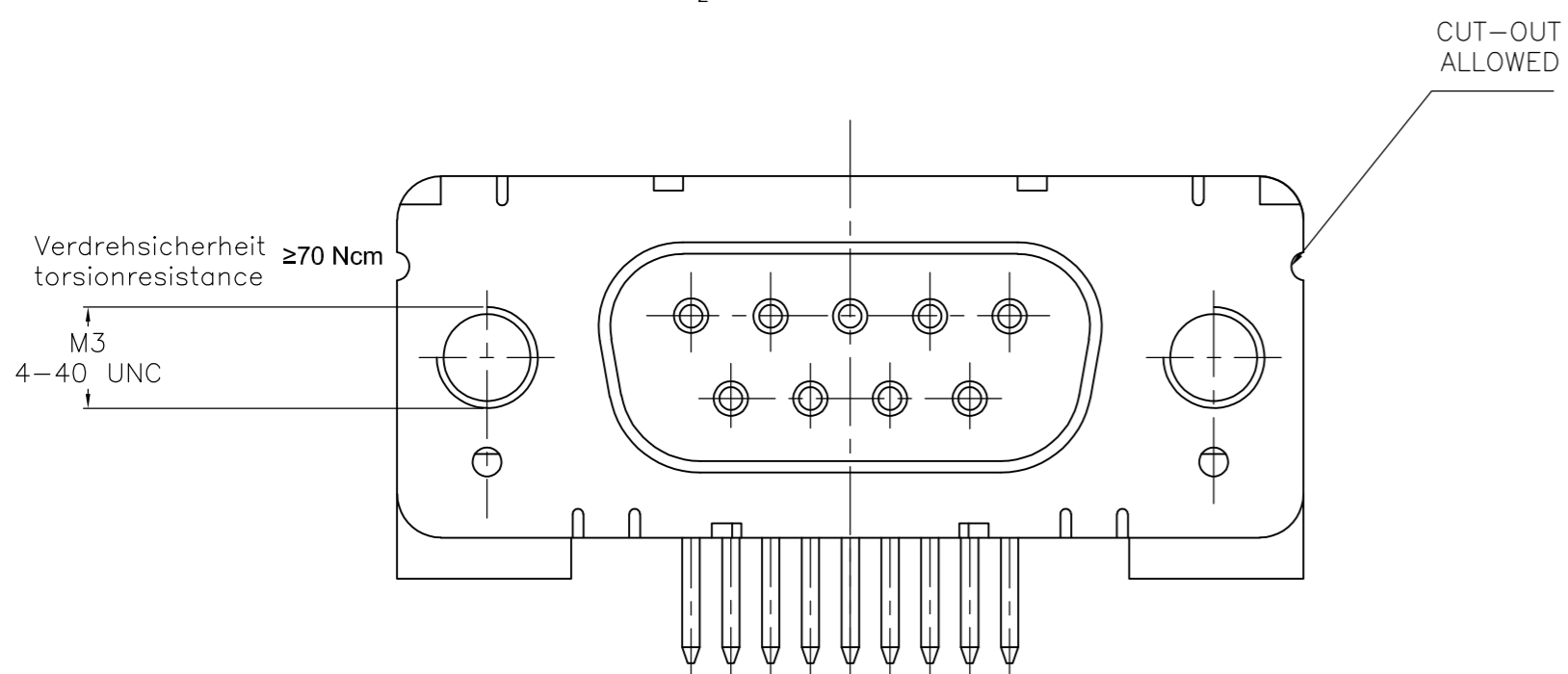
THIS DRAWING IS UNPUBLISHED. RELEASED FOR PUBLICATION  
 © COPYRIGHT - By - ALL RIGHTS RESERVED.

REVISIONS				
P	LTR	DESCRIPTION	DATE	APVD
-	-	SEE SHEET 1	-	-

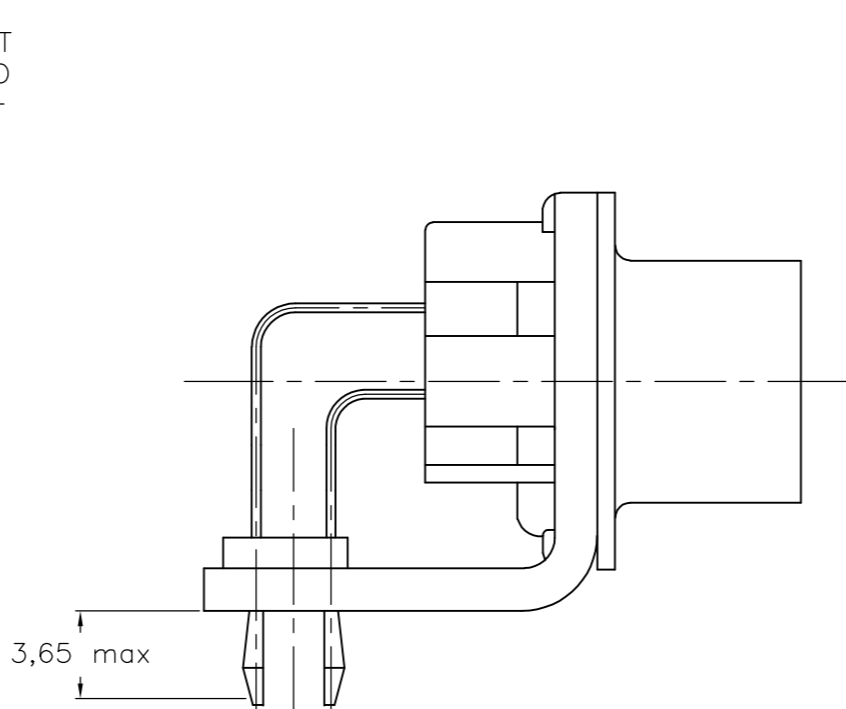
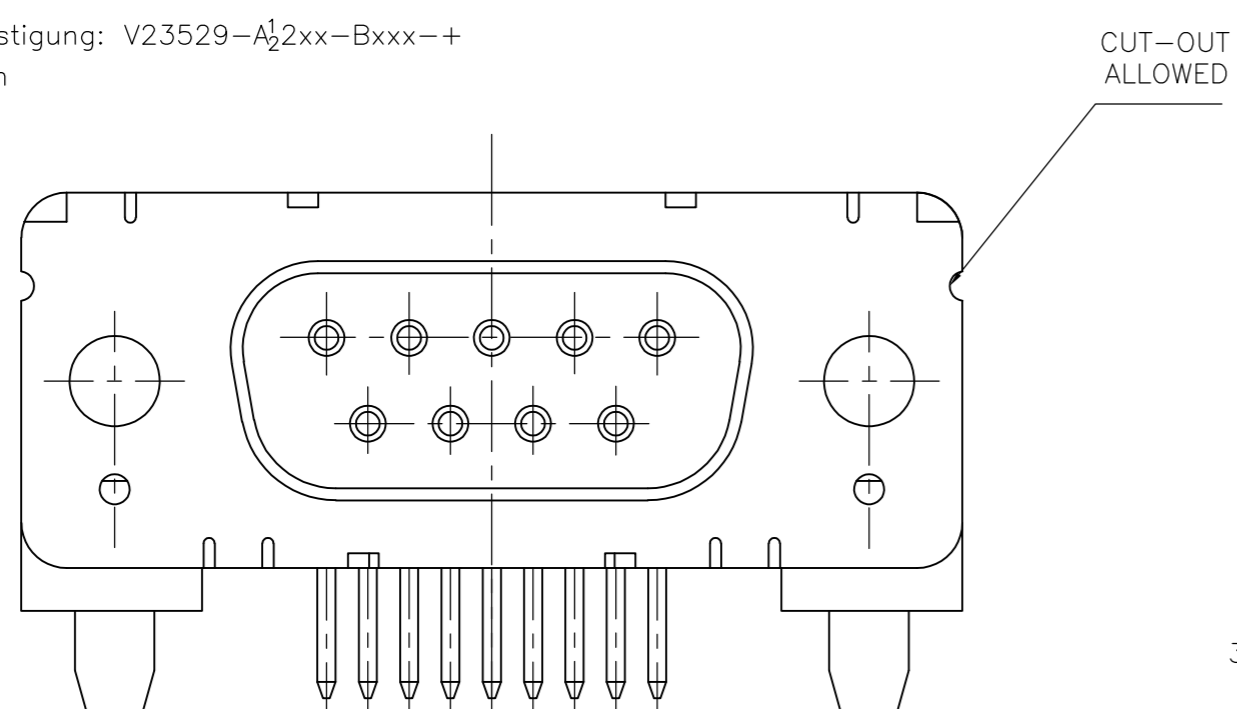
mit Gewindebolzen: M3 V23529-A<sub>1</sub>xx4-Bxxx-+  
 with thread lock 4-40 UNC V23529-A<sub>2</sub>xx5-Bxxx-+



mit Gewinde: M3 V23529-A<sub>1</sub>xx2-Bxxx-+  
 with thread 4-40 UNC V23529-A<sub>2</sub>xx3-Bxxx-+



mit Clipbefestigung: V23529-A<sub>2</sub>xx-Bxxx-+  
 with snap-in



Mass Dimension	Polzahl n Number of contacts n			
	9	15	25	37
C	25	33,3	47,04	63,5
H	10,96	19,18	33,12	49,68
K	8,22	16,44	30,36	46,92
X	2,74	2,74	2,76	2,76
Y	2,54 <sup>ger</sup> 2,84			

1) nach DIN 41652 T,2 UND T,4  
 according to DIN 41652 p,2 AND p,4

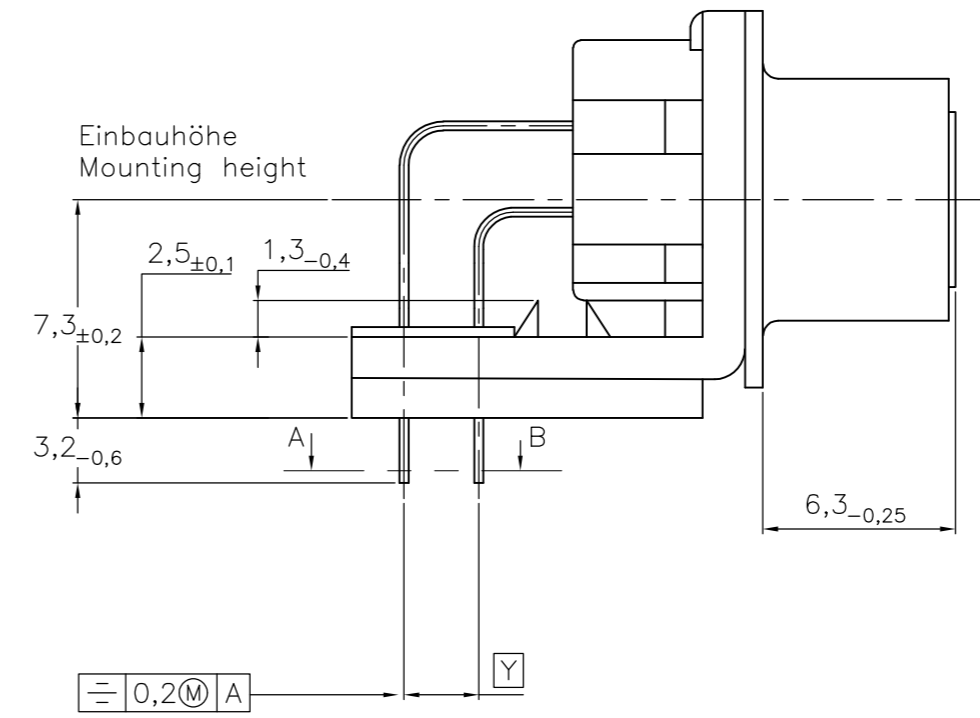
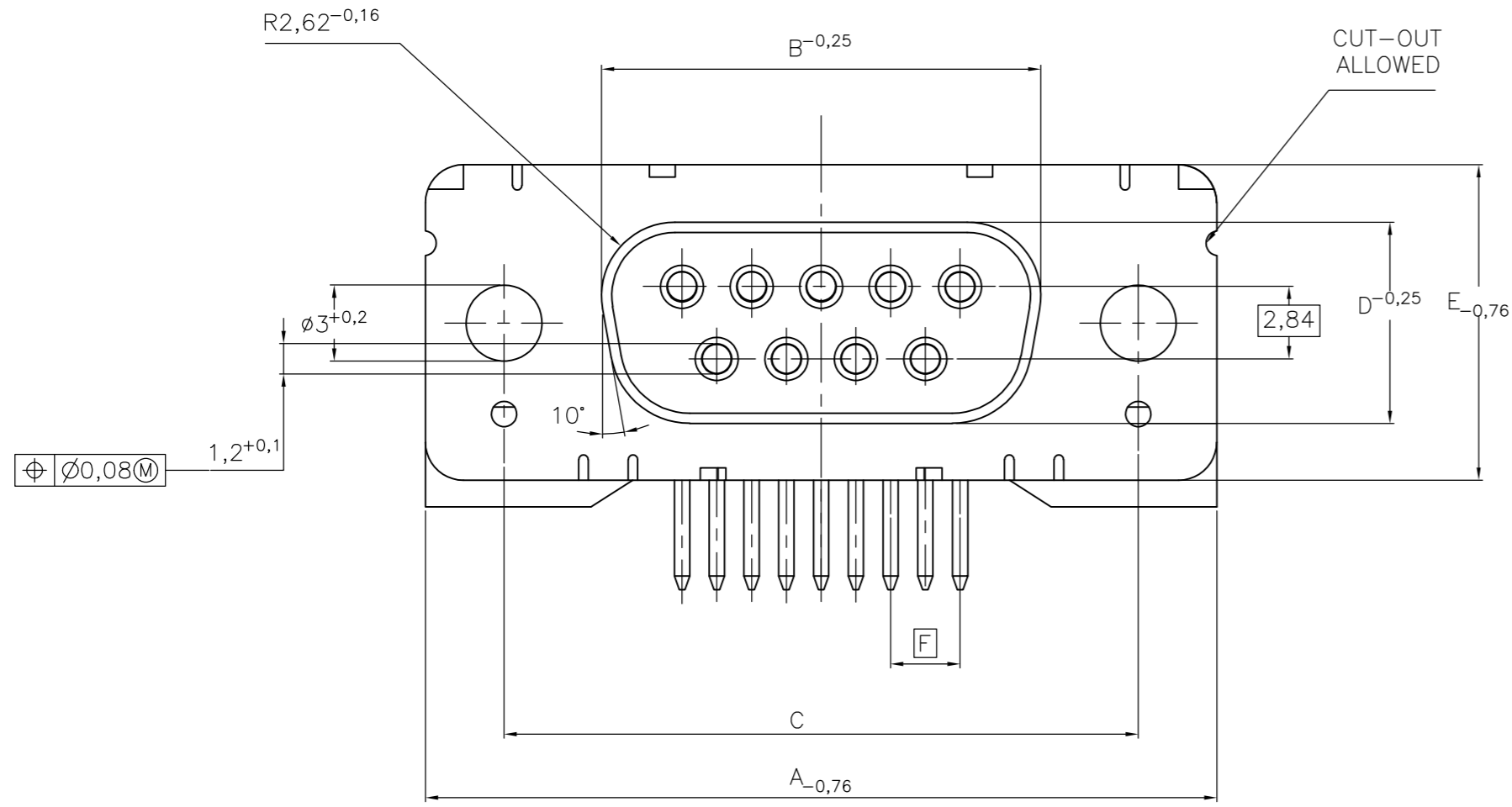
OLD PN: V23529-A\*\*\*\*\*B\*\*\*-7427

THIS DRAWING IS A CONTROLLED DOCUMENT. DIMENSIONING AND TOLERANCING PER ASME Y14.5M-2009		DWN: GNANI JADAV A E CHK: K.MALCZYK APVD: K.MALCZYK PRODUCT SPEC: - APPLICATION SPEC: - WEIGHT: -	07JAN10 TE Connectivity	
DIMENSIONS: mm	TOLERANCES UNLESS OTHERWISE SPECIFIED: 0 PLC ± - 1 PLC ± - 2 PLC ± - 3 PLC ± - 4 PLC ± - ANGLES ± - FINISH	NAME: Buchsenleiste 90° Löt Ausführung (Variant 2 und 3) <sup>1)</sup> Socketconnector, 90° solderversion (Type 2 and 3) <sup>1)</sup>	SIZE: A2 CAGE CODE: 00779 DRAWING NO: C-1393478-4	RESTRICTED TO: -
MATERIAL: -	FINISH: -	SCALE: 2:1	SHEET: 2 of 8	REV: G

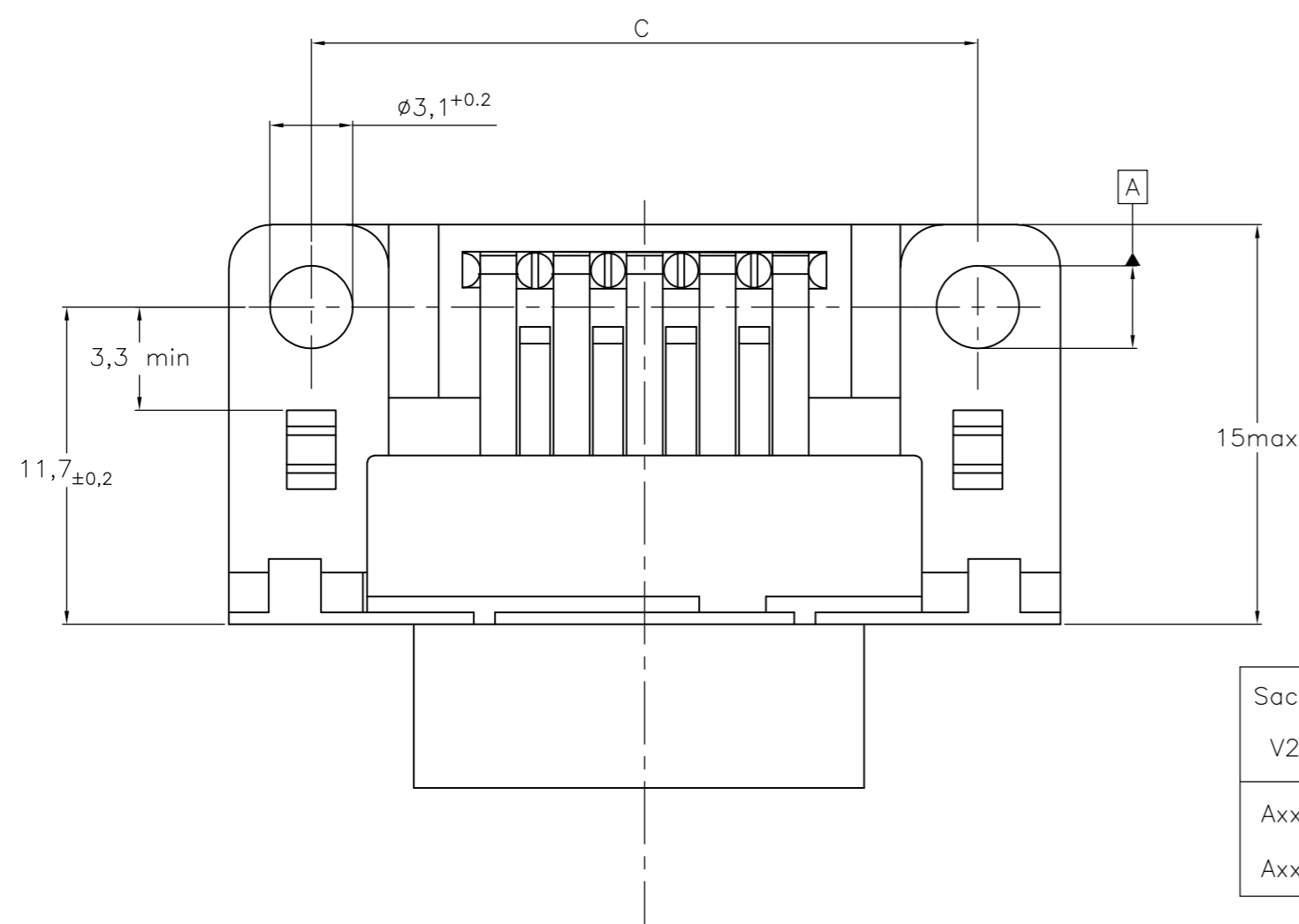
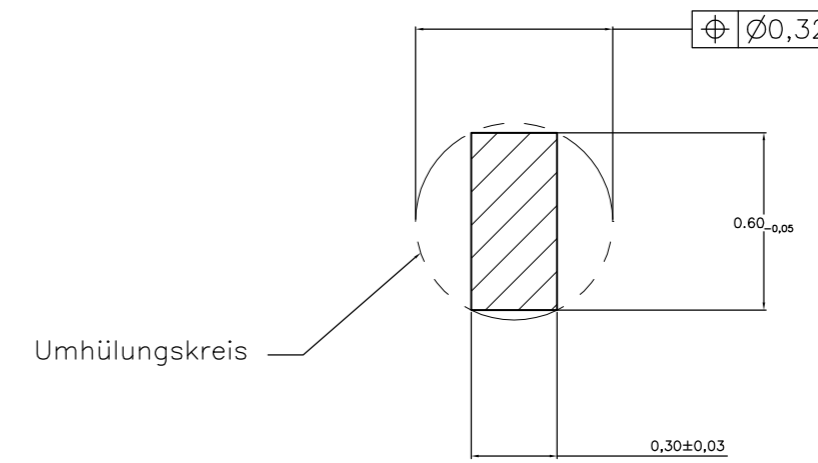
THIS DRAWING IS UNPUBLISHED. RELEASED FOR PUBLICATION  
 © COPYRIGHT - By - ALL RIGHTS RESERVED.

REVISIONS					
P	LTR	DESCRIPTION	DATE	DWN	APVD
-	-	SEE SHEET 1	-	-	-

Standardausführung isoliert: V23529-A<sub>3</sub>1x1-Bxxx-+  
 Standardversion insulated



Schnitt AB des Lötanschlusses  
 Cross-section AB of solderpin  
 (20:1)



Sachnr./Ordernr	Y
V23529-	Y
Axx1x-Bxxx-+	2,84
Axx2x-Bxxx-+	2,54

Ordercode Sachnr	Contacts Polzahl	Mass/Dimension					
		A	B	C	D	E	F
..-Bx09-+	09	31,19	16,46	25,0 +0,12 -0,13	8,02	12,93	2,74
..-Bx15-+	15	39,52	24,79	33,3 +0,15 -0,1			2,74
..-Bx25-+	25	53,42	38,5	47,04 +0,13 -0,13			2,76
..-Bx37-+	37	69,7	54,96	63,5 +0,13 -0,13			2,76

Anforderungsstufe/Performance level 1)

OLD PN: V23529-A\*\*\*\*-B\*\*\*-\*-7427

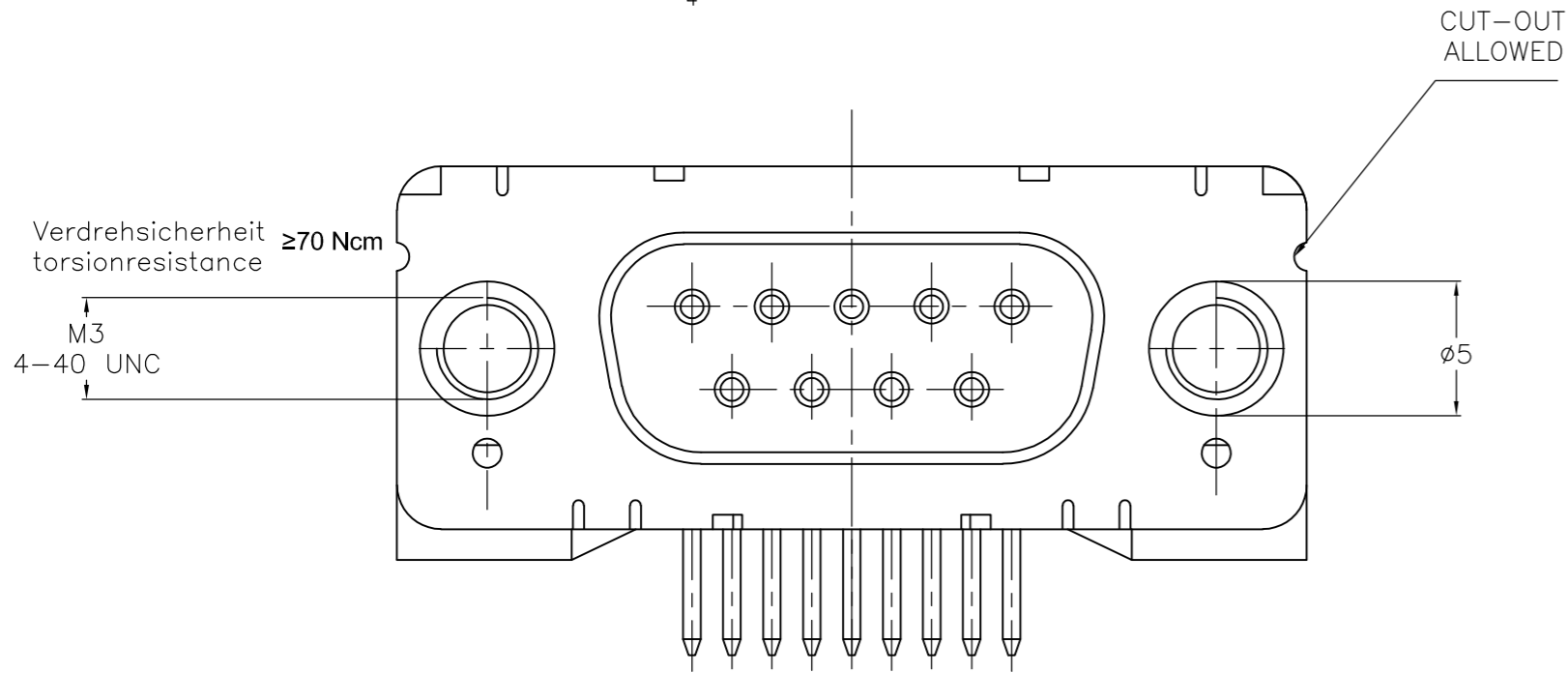
1) nach DIN 41652 T.2 und T.4  
 according to DIN 41652 p.2 and p.4

THIS DRAWING IS A CONTROLLED DOCUMENT. DIMENSIONING AND TOLERANCING PER ASME Y14.5M-2009		DWN GNANI JADAV A E 07JAN10	TE Connectivity	
DIMENSIONS: mm		CHK K.MALCZYK		
TOLERANCES UNLESS OTHERWISE SPECIFIED: 0 PLC ± - 1 PLC ± - 2 PLC ± - 3 PLC ± - 4 PLC ± - ANGLES ± -		APVD K.MALCZYK	PRODUCT SPEC	SIZE A2
MATERIAL		APPLICATION SPEC	RESTRICTED TO	DRAWING NO C=1393478-4
FINISH		WEIGHT	SCALE 2:1	SHEET 3 of 8
		CUSTOMER DRAWING	REV G	

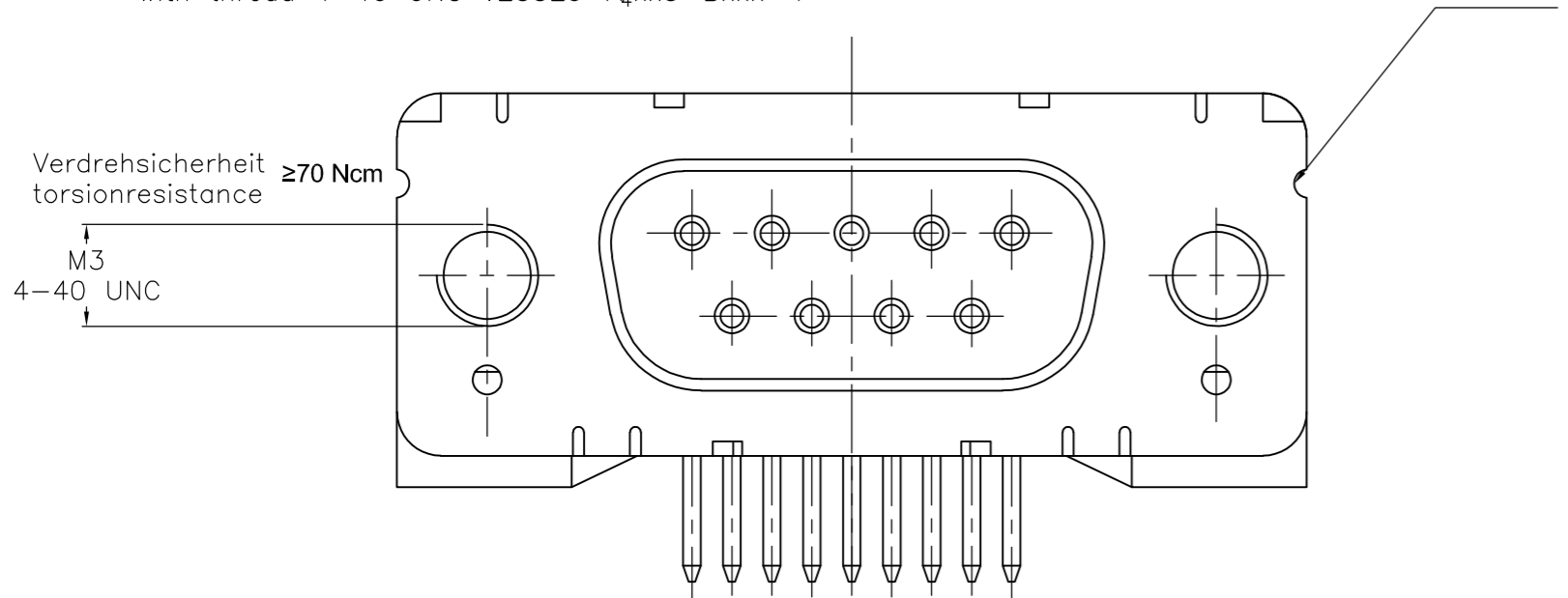
THIS DRAWING IS UNPUBLISHED. RELEASED FOR PUBLICATION  
 © COPYRIGHT - B3 ALL RIGHTS RESERVED.

REVISIONS				
P	LTR	DESCRIPTION	DATE	APVD
-	-	SEE SHEET 1	-	-

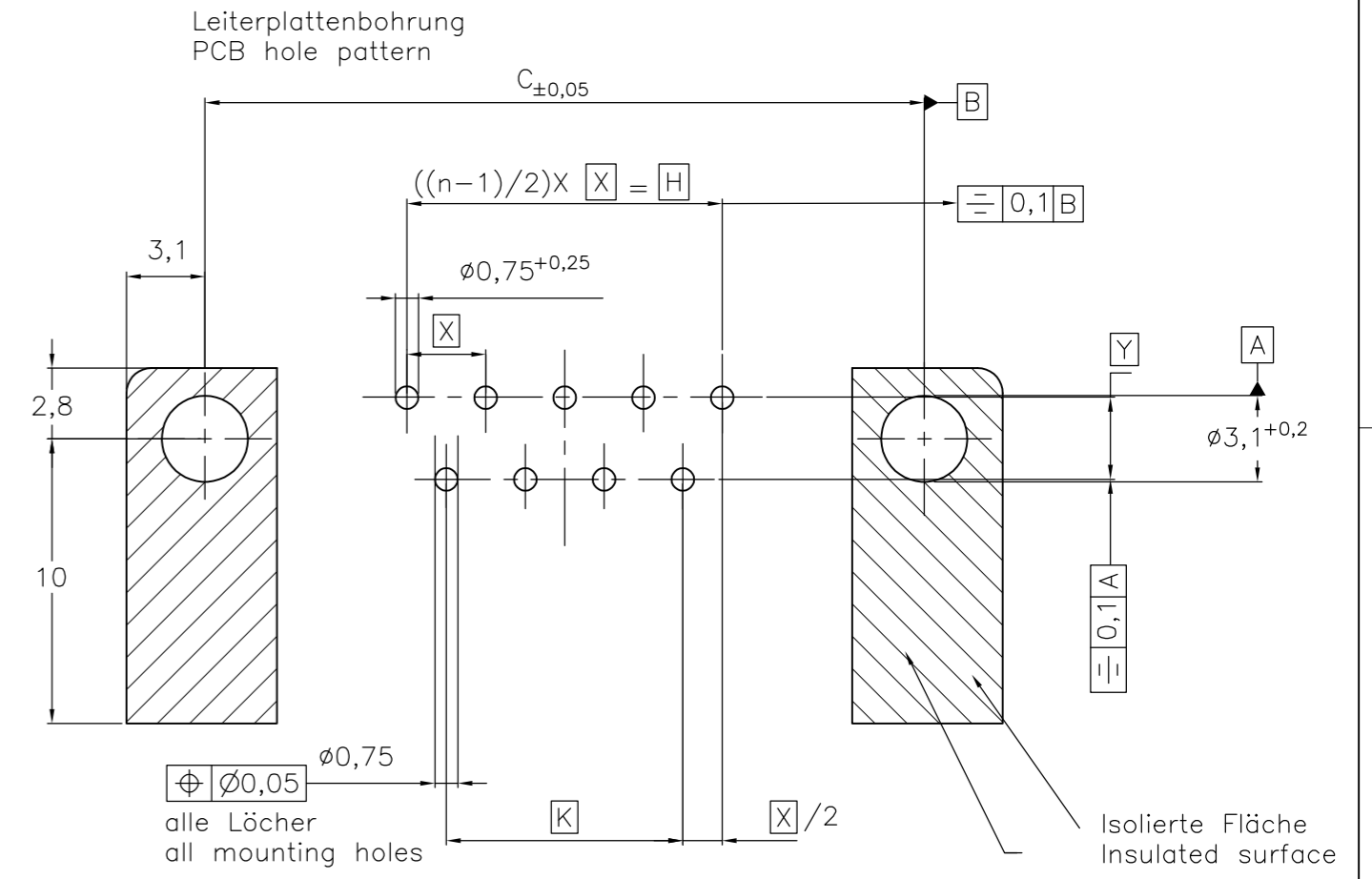
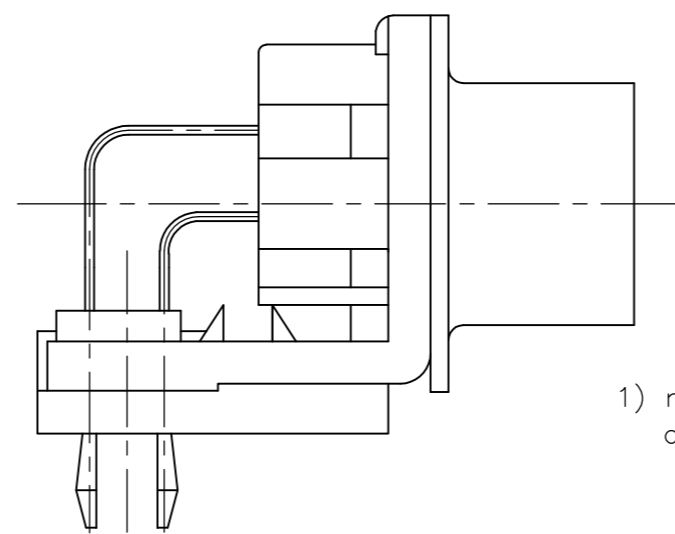
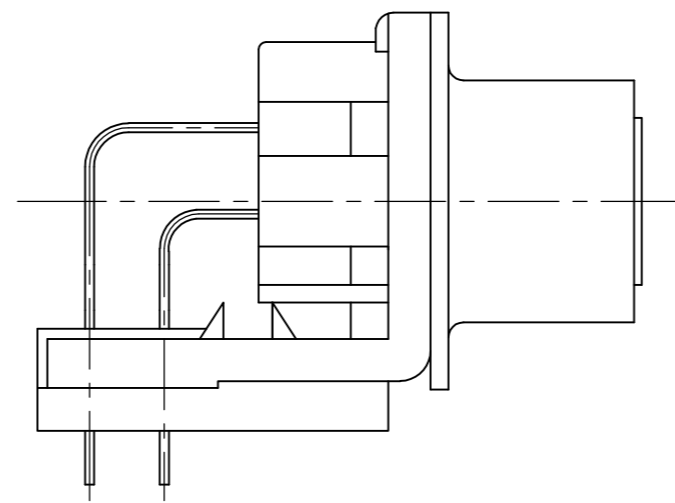
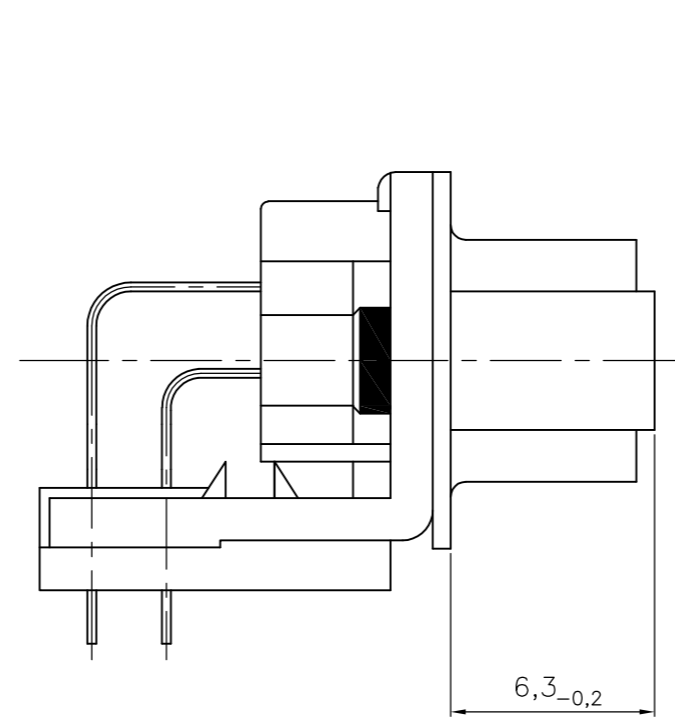
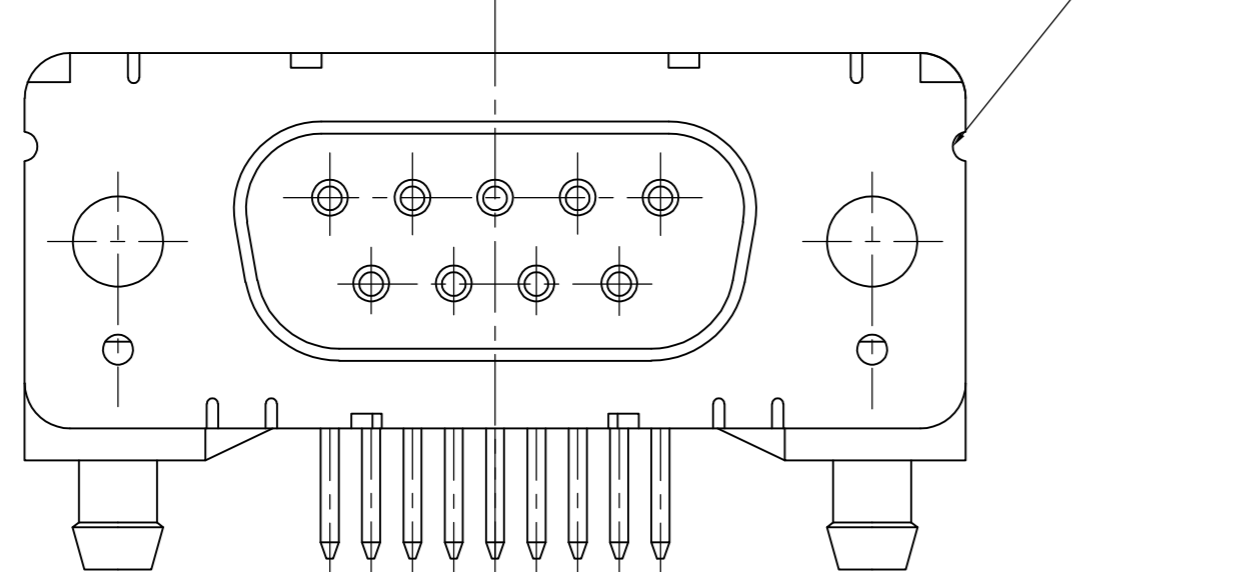
mit Gewindebolzen: M3 V23529-A<sub>3</sub>xx4-Bxxx-+  
 with thread lock 4-40 UNC V23529-A<sub>3</sub>xx5-Bxxx-+



mit Gewinde: M3 V23529-A<sub>3</sub>xx2-Bxxx-+  
 with thread 4-40 UNC V23529-A<sub>3</sub>xx3-Bxxx-+



mit Clipbefestigung: V23529-A<sub>3</sub>2xx-Bxxx-+  
 with snap-in



Mass Dimension	Polzahl n Number of contacts n			
	9	15	25	37
C	25	33,3	47,04	63,5
H	10,96	19,18	33,12	49,68
K	8,22	16,44	30,36	46,92
X	2,74	2,74	2,76	2,76
Y	2,54 <sup>ger</sup> 2,84			

1) nach DIN 41652 T,2 UND T,4  
 according to DIN 41652 p,2 AND p,4

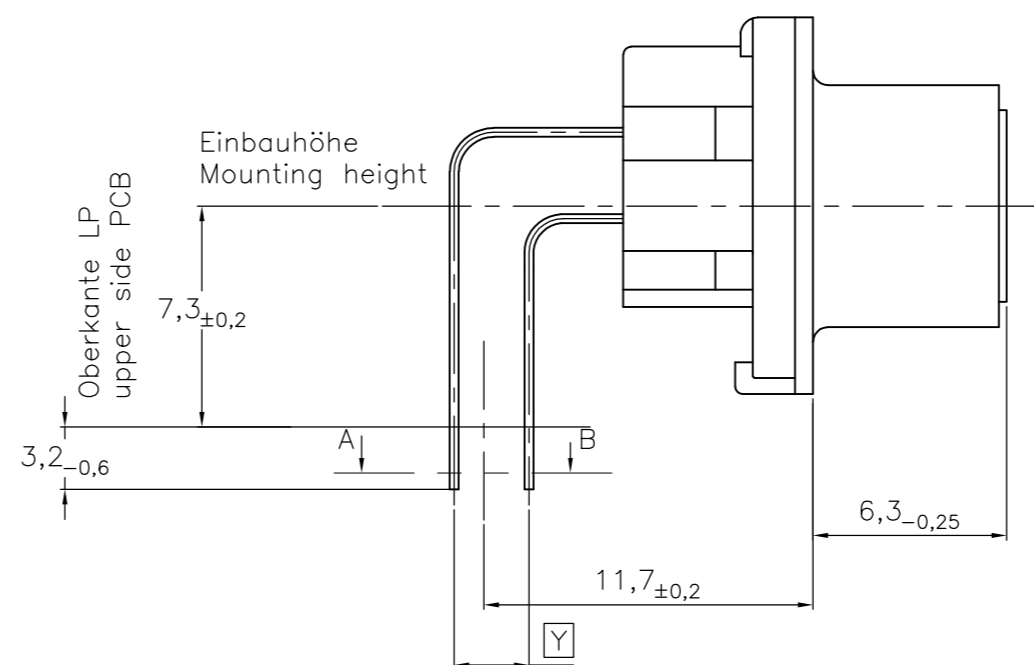
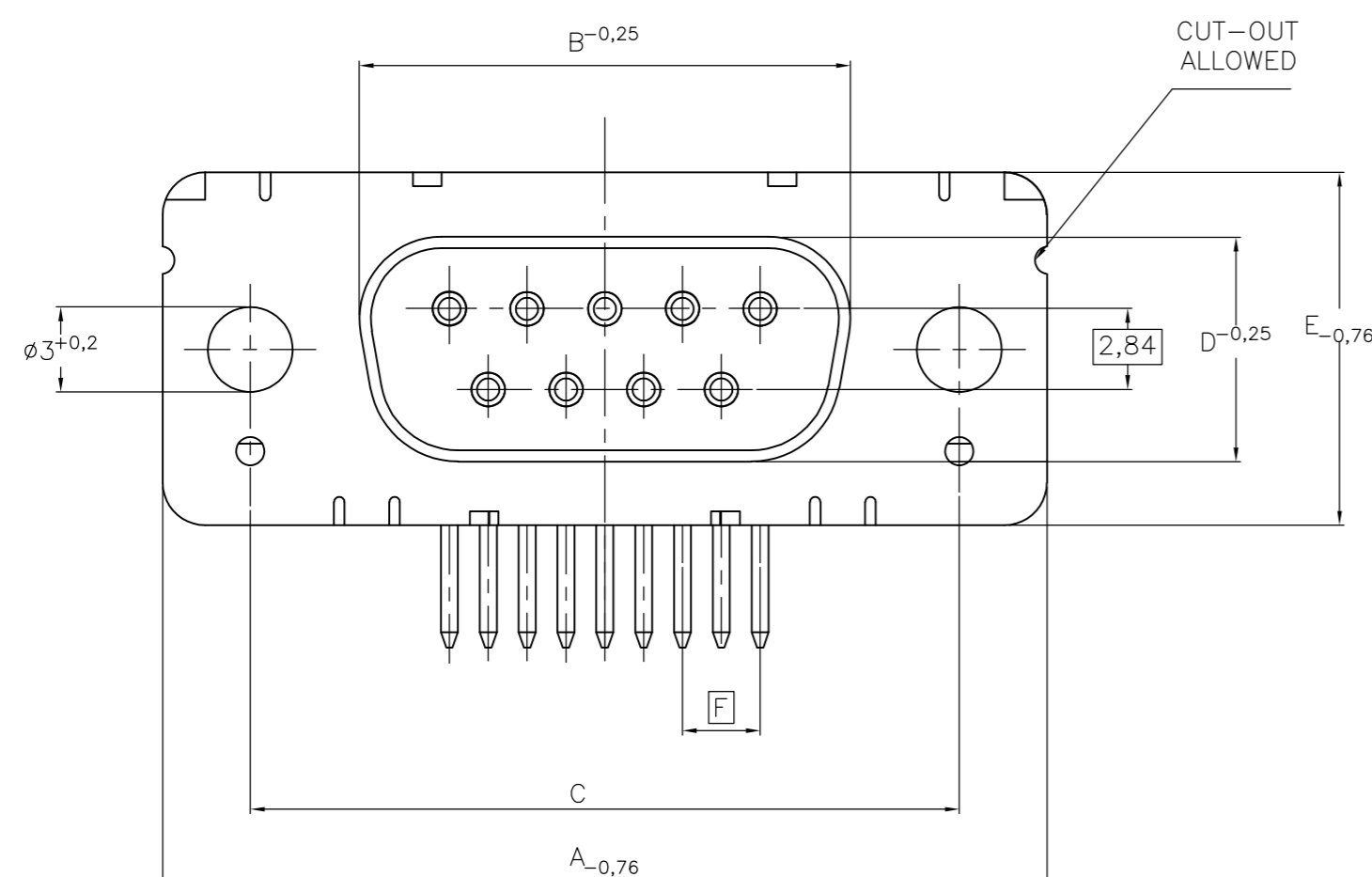
OLD PN: V23529-A\*\*\*\*B\*\*\*-\*-7427

THIS DRAWING IS A CONTROLLED DOCUMENT. DIMENSIONING AND TOLERANCING PER ASME Y14.5M-2009		DWN: GNANI JADAV A E CHK: K.MALCZYK APVD: K.MALCZYK PRODUCT SPEC: - APPLICATION SPEC: -	TE Connectivity Buchsenleiste 90° Löt Ausführung (Variant 2 und 3) <sup>1)</sup> Socketconnector, 90° solderversion (Type 2 and 3) <sup>1)</sup>	
DIMENSIONS: mm	TOLERANCES UNLESS OTHERWISE SPECIFIED: 0 PLC ± - 1 PLC ± - 2 PLC ± - 3 PLC ± - 4 PLC ± - ANGLES ± - FINISH -	SIZE: A2 CAGE CODE: 00779 DRAWING NO: C-1393478-4	RESTRICTED TO: -	SCALE: 2:1
MATERIAL: -	FINISH: -	WEIGHT: -	SHEET: 4 of 8	REV: G

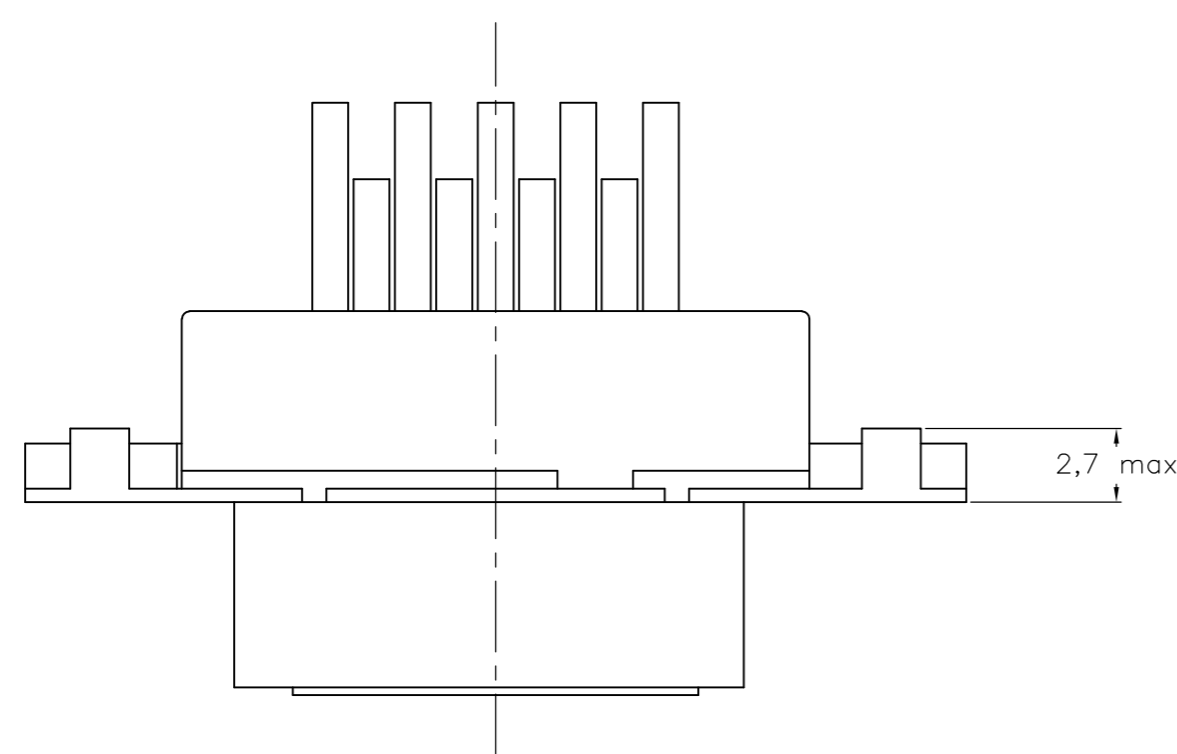
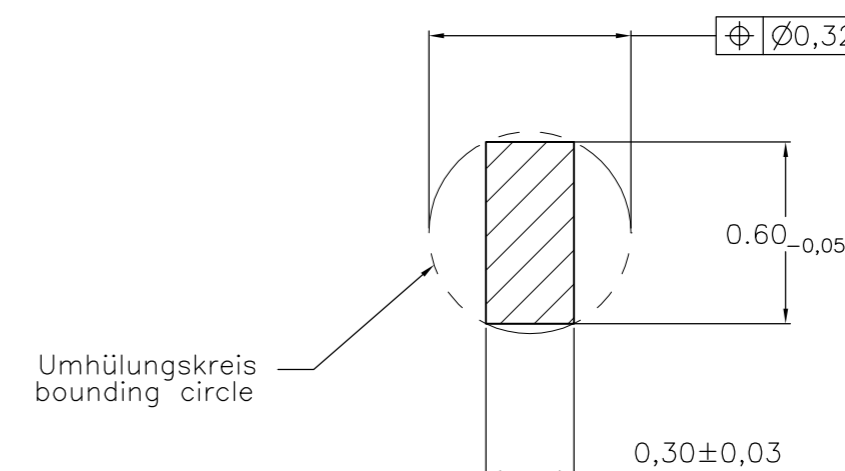
THIS DRAWING IS UNPUBLISHED. RELEASED FOR PUBLICATION  
 © COPYRIGHT - By - ALL RIGHTS RESERVED.

REVISIONS				
P	LTR	DESCRIPTION	DATE	APVD
-	-	SEE SHEET 1	-	-

Standardausführung ohne Winkel: V23529-A50x1-Bxxx-+  
 Standardversion without bracket



Schnitt AB des Lötanschlusses  
 Cross-section AB of solderpin  
 (20:1)



Sachnr/Ordernr	Y
V23529-	
A501x-Bxxx-+	2,84
A502x-Bxxx-+	2,54

Ordercode	Contacts	Mass/Dimension					
		A	B	C	D	E	F
..-Bx09-+	09	31,19	16,46	25,0 +0,12 -0,13	8,02	12,93	2,74
..-Bx15-+	15	39,52	24,79	33,3 +0,15 -0,1			2,74
..-Bx25-+	25	53,42	38,5	47,04 +0,13 -0,13			2,76
..-Bx37-+	37	69,7	54,96	63,5 +0,13 -0,13			2,76

Anforderungsstufe/Performance level 1)

OLD PN: V23529-A\*\*\*\*-B\*\*\*-7427

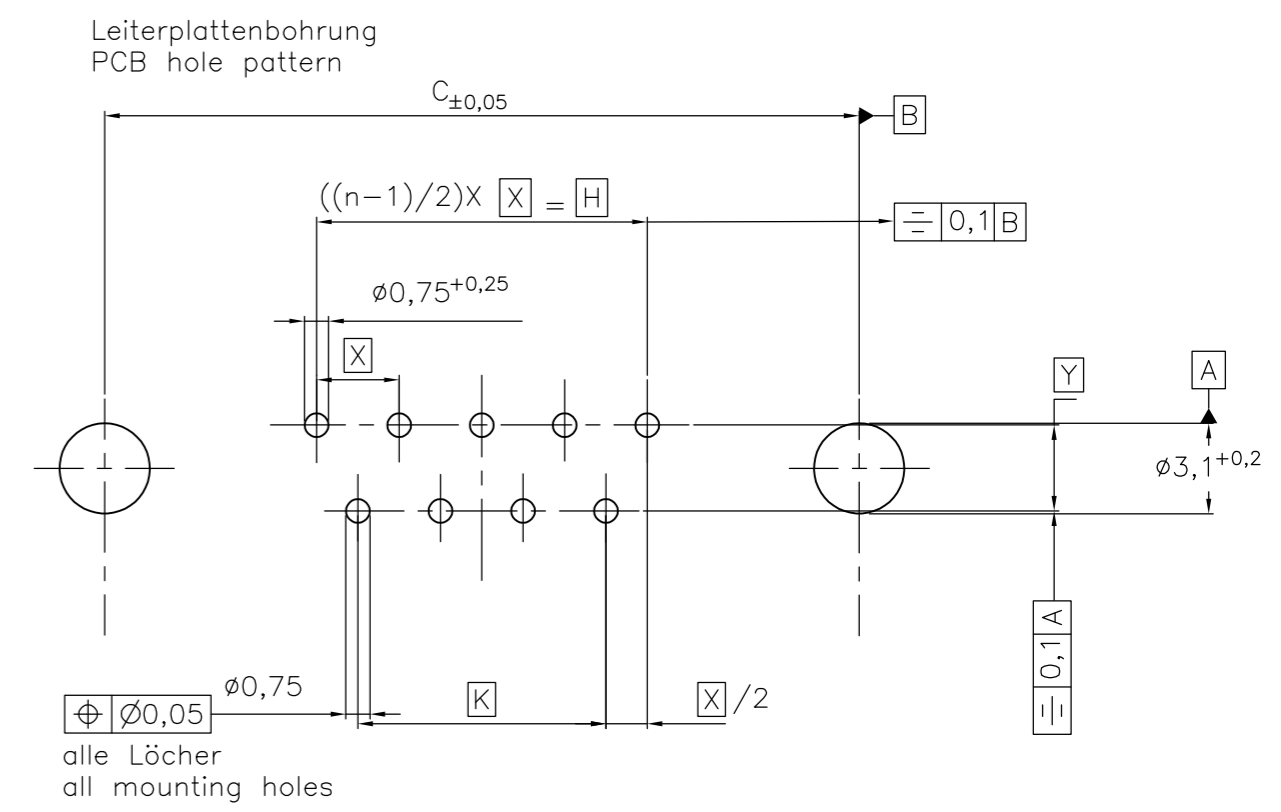
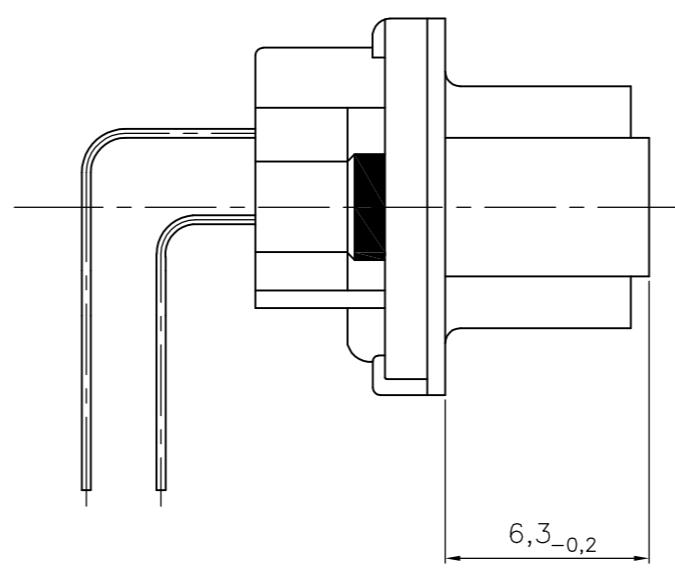
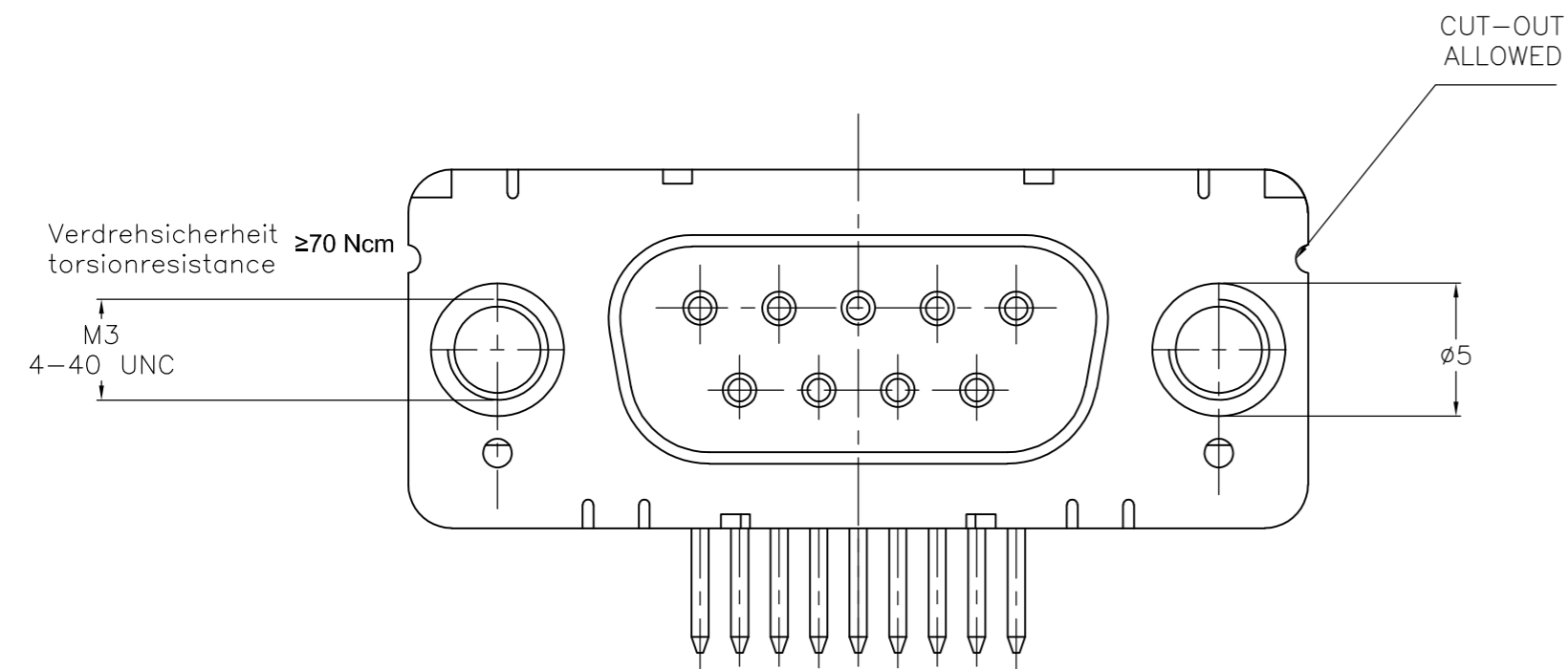
1) nach DIN 41652 T.2 und T.4  
 according to DIN 41652 p.2 and p.4

THIS DRAWING IS A CONTROLLED DOCUMENT. DIMENSIONING AND TOLERANCING PER ASME Y14.5M-2009		DWN: GNANI JADAV A E CHK: K.MALCZYK APVD: K.MALCZYK PRODUCT SPEC: - APPLICATION SPEC: -	TE Connectivity Buchsenleiste 90° Lötanschlussführung (Variant 2 und 3) <sup>1)</sup> Socketconnector, 90° solderversion (Type 2 and 3) <sup>1)</sup>	
DIMENSIONS: mm	TOLERANCES UNLESS OTHERWISE SPECIFIED: 0 PLC ± - 1 PLC ± - 2 PLC ± - 3 PLC ± - 4 PLC ± - ANGLES ± -	SIZE: A2 CAGE CODE: 00779 DRAWING NO: C-1393478-4	RESTRICTED TO: -	
MATERIAL: -	FINISH: -	WEIGHT: -	SCALE: 2:1	SHEET: 5 of 8 REV: G

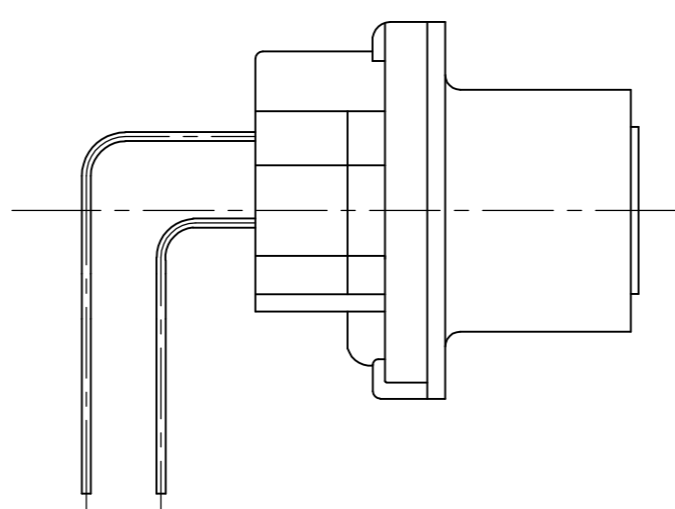
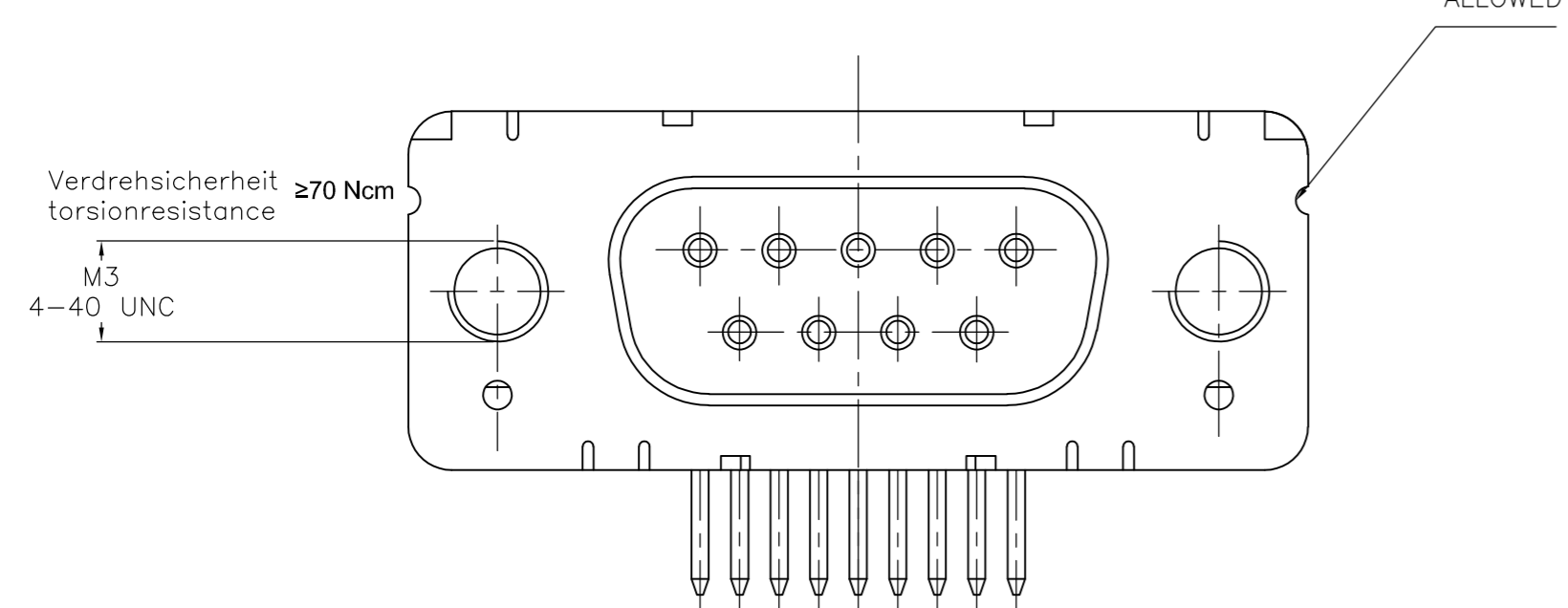
THIS DRAWING IS UNPUBLISHED. RELEASED FOR PUBLICATION  
 © COPYRIGHT - By - ALL RIGHTS RESERVED.

REVISIONS				
P	LTR	DESCRIPTION	DATE	DWN APVD
-	-	SEE SHEET 1	-	-

mit Gewindebolzen: M3 V23529-A50x4-Bxxx-+  
 with thread lock 4-40 UNC V23529-A50x5-Bxxx-+



mit Gewinde: M3 V23529-A50x2-Bxxx-+  
 with thread 4-40 UNC V23529-A50x3-Bxxx-+



Mass Dimension	Polzahl n Number of contacts n			
	9	15	25	37
C	25	33,3	47,04	63,5
H	10,96	19,18	33,12	49,68
K	8,22	16,44	30,36	46,92
X	2,74	2,74	2,76	2,76
Y	2,54 <sup>ger</sup> 2,84			

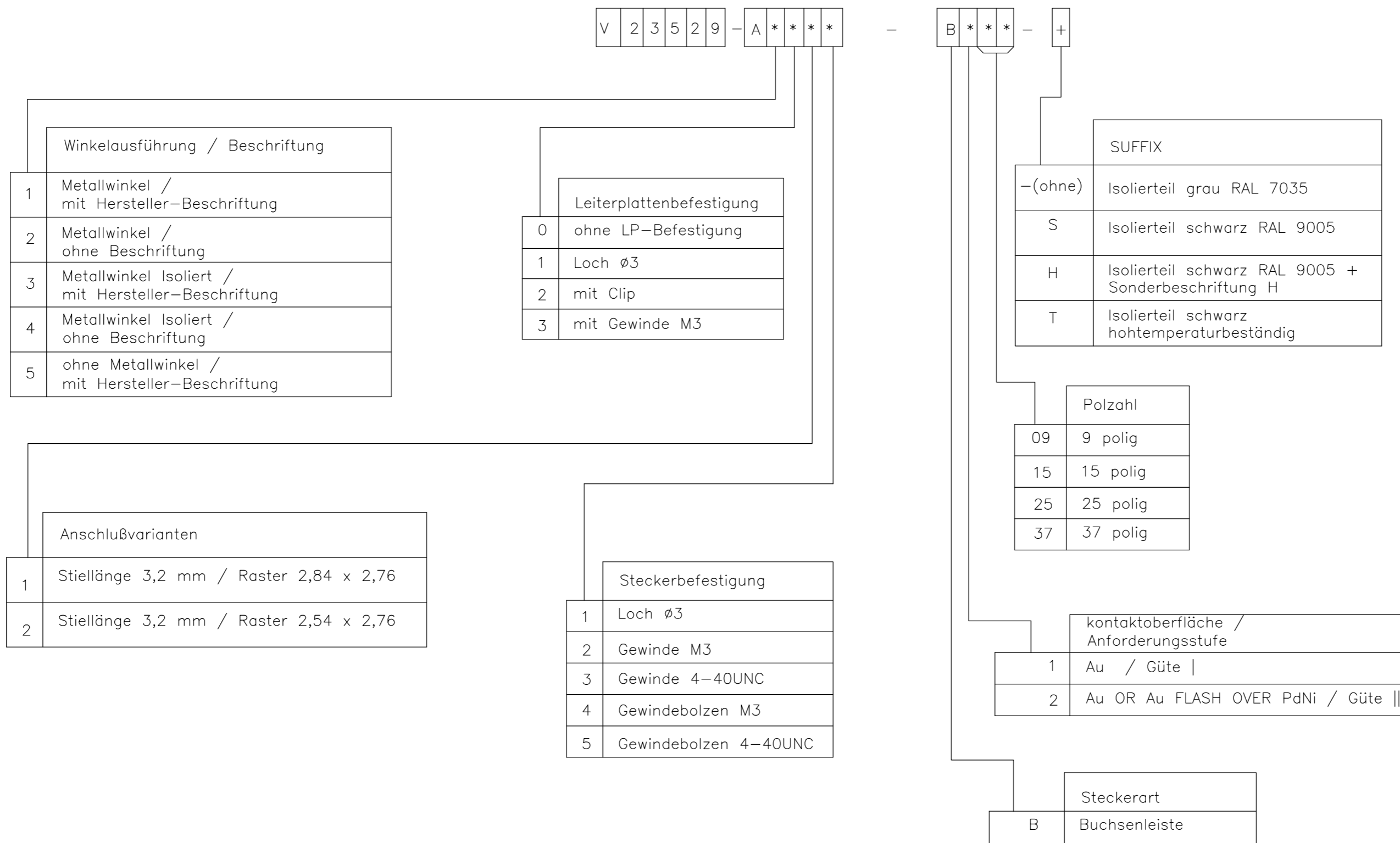
1) nach DIN 41652 T,2 UND T,4  
 according to DIN 41652 p,2 AND p,4

OLD PN: V23529-A\*\*\*\*-B\*\*\*-\*-7427

THIS DRAWING IS A CONTROLLED DOCUMENT. DIMENSIONING AND TOLERANCING PER ASME Y14.5M-2009		DWN: GNANI JADAV A E CHK: K.MALCZYK APVD: K.MALCZYK PRODUCT SPEC: - APPLICATION SPEC: - WEIGHT: -	07JAN10 TE Connectivity	Buchsenleiste 90° Löt Ausführung (Variant 2 und 3) <sup>1)</sup> Socketconnector, 90° solderversion (Type 2 and 3) <sup>1)</sup>	
DIMENSIONS: mm	TOLERANCES UNLESS OTHERWISE SPECIFIED: 0 PLC ± - 1 PLC ± - 2 PLC ± - 3 PLC ± - 4 PLC ± - ANGLES ± - FINISH -	SIZE: A2 CAGE CODE: 00779 DRAWING NO: C-1393478-4	RESTRICTED TO: -	SCALE: 2:1 SHEET: 6 of 8 REV: G	
MATERIAL: -		CUSTOMER DRAWING		SCALE: 2:1 SHEET: 6 of 8 REV: G	

THIS DRAWING IS UNPUBLISHED. RELEASED FOR PUBLICATION  
 © COPYRIGHT - By - ALL RIGHTS RESERVED.

REVISIONS				
P	LTR	DESCRIPTION	DATE	APVD
-	-	SEE SHEET 1	-	-



1) nach DIN 41652 T.2 und T.4  
 according to DIN 41652 p.2 and p.4

OLD PN: V23529-A\*\*\*\*-B\*\*\*-\*-7427

THIS DRAWING IS A CONTROLLED DOCUMENT. DIMENSIONING AND TOLERANCING PER ASME Y14.5M-2009		DWN: GNANI JADAV A E CHK: K.MALCZYK APVD: K.MALCZYK	07JAN10		<b>STE</b> TE Connectivity
DIMENSIONS: mm		TOLERANCES UNLESS OTHERWISE SPECIFIED:		NAME: Buchsenleiste 90° Lötanschluss (Variant 2 und 3) <sup>1)</sup> Socketconnector, 90° solderversion (Type 2 and 3) <sup>1)</sup>	
MATERIAL: -		FINISH: -		SIZE: A2	CAGE CODE: 00779
-		-		DRAWING NO: C-1393478-4	
-		-		RESTRICTED TO: -	
-		-		SCALE: 2:1	
-		-		SHEET: 7 of 8	
-		-		REV: G	
-		-		CUSTOMER DRAWING	

THIS DRAWING IS UNPUBLISHED. RELEASED FOR PUBLICATION  
 © COPYRIGHT - By - ALL RIGHTS RESERVED.

REVISIONS				
P	LTR	DESCRIPTION	DATE	APVD
-	-	SEE SHEET 1	-	-

Active part numbers. Contact Tyco Electronics for other configuration availability

Old Part Number	TE Part Number		PRIMARY	SECONDARY
V23529-A1111-B209	<del>1393478-4</del>	OBSOLETE		
V23529-A1111-B215	<del>1393478-5</del>	OBSOLETE		
V23529-A1111-B225	<del>1393478-6</del>	OBSOLETE		
V23529-A1111-B237	<del>1393478-7</del>	$\Delta_3$		
V23529-A1112-B215	<del>1393478-7</del>	$\Delta_2$ OBSOLETE		
V23529-A1112-B225	<del>1393478-8</del>	$\Delta_2$ OBSOLETE		
V23529-A1115-B209	<del>2-1393478-5</del>	OBSOLETE		
V23529-A1115-B215	<del>2-1393478-6</del>	OBSOLETE		
V23529-A1115-B225	<del>2-1393478-7</del>	$\Delta_2$ OBSOLETE		
V23529-A1115-B237	<del>2-1393478-8</del>	OBSOLETE		
V23529-A1121-B209	<del>3-1393478-8</del>	OBSOLETE		
V23529-A1121-B215	<del>3-1393478-9</del>	OBSOLETE		
V23529-A1121-B225	<del>4-1393478-0</del>	OBSOLETE		
V23529-A1121-B237	<del>4-1393478-1</del>	OBSOLETE		
V23529-A1122-B109	<del>4-1393478-8</del>	$\Delta_2$ OBSOLETE		
V23529-A1122-B115	<del>4-1393478-9</del>	$\Delta_2$ OBSOLETE		
V23529-A1122-B209	<del>5-1393478-0</del>	OBSOLETE		
V23529-A1122-B215	<del>5-1393478-1</del>	$\Delta_2$ OBSOLETE		
V23529-A1122-B225	<del>5-1393478-2</del>	$\Delta_2$ OBSOLETE		
V23529-A1123-B209	<del>5-1393478-8</del>	OBSOLETE		
V23529-A1123-B215	<del>5-1393478-9</del>	OBSOLETE		
V23529-A1123-B225	<del>6-1393478-0</del>	OBSOLETE		
V23529-A1123-B237	<del>6-1393478-1</del>	OBSOLETE		
V23529-A1124-B109	<del>6-1393478-9</del>	$\Delta_3$		
V23529-A1124-B225	<del>7-1393478-2</del>	OBSOLETE		
V23529-A1125-B125	<del>7-1393478-7</del>	$\Delta_2$ OBSOLETE		
V23529-A1125-B209	<del>7-1393478-8</del>	OBSOLETE		
V23529-A1125-B225	<del>7-1393478-9</del>	OBSOLETE		
V23529-A1212-B209	<del>8-1393478-9</del>	OBSOLETE		
V23529-A1212-B215	<del>9-1393478-0</del>	$\Delta_2$ OBSOLETE		
V23529-A1212-B225	<del>9-1393478-1</del>	$\Delta_2$ OBSOLETE		
V23529-A1213-B215	<del>9-1393478-5</del>	$\Delta_2$ OBSOLETE		
V23529-A1215-B209	<del>1-1393479-1</del>	OBSOLETE		
V23529-A1215-B225	<del>1-1393479-3</del>	$\Delta_2$ OBSOLETE		
V23529-A1221-B209	<del>1-1393479-0</del>	$\Delta_2$ OBSOLETE		
V23529-A1221-B215	<del>1-1393479-1</del>	$\Delta_2$ OBSOLETE		
V23529-A1221-B225	<del>1-1393479-2</del>	$\Delta_2$ OBSOLETE		
V23529-A1221-B237	<del>1-1393479-3</del>	$\Delta_2$ OBSOLETE		
V23529-A1222-B109	<del>2-1393479-3</del>	OBSOLETE		
V23529-A1222-B115	<del>2-1393479-4</del>	$\Delta_2$ OBSOLETE		
V23529-A3223-B225	<del>1-1393480-0</del>	SUPERSEDED	1-106507-2	
V23529-A3212-B215	<del>1393480-2</del>	OBSOLETE		
V23529-A3213-B209	<del>1393480-6</del>	OBSOLETE		
V23529-A3111-B209	<del>6-1393479-8</del>	OBSOLETE		

Old Part Number	TE Part Number		PRIMARY	SECONDARY
V23529-A3111-B215	<del>6-1393479-9</del>	OBSOLETE		
V23529-A3122-B209	<del>6-1393487-0</del>	SUPERSEDED	7-106505-2	
V23529-A3111-B225	<del>7-1393479-0</del>	OBSOLETE		
V23529-A3113-B225	<del>7-1393479-5</del>	OBSOLETE		
V23529-A3115-B209	<del>8-1393479-2</del>	OBSOLETE		
V23529-A3121-B209	<del>8-1393479-4</del>	SUPERSEDED	5-106505-2	
V23529-A3121-B225	<del>8-1393479-5</del>	SUPERSEDED	5-106507-2	
V23529-A3123-B225	<del>9-1393479-6</del>	SUPERSEDED	6-106507-2	
V23529-A1222-B209	<del>2-1393479-6</del>	OBSOLETE		
V23529-A1222-B215	<del>2-1393479-7</del>	OBSOLETE		
V23529-A1222-B225	<del>2-1393479-8</del>	$\Delta_3$		
V23529-A1222-B237	<del>2-1393479-9</del>	OBSOLETE		
V23529-A1223-B209	<del>3-1393479-8</del>			
V23529-A1223-B215	<del>3-1393479-9</del>			
V23529-A1223-B225	<del>4-1393479-0</del>			
V23529-A1223-B237	<del>4-1393479-1</del>	OBSOLETE		
V23529-A1224-B209	<del>4-1393479-8</del>	OBSOLETE		
V23529-A1224-B215	<del>4-1393479-9</del>	OBSOLETE		
V23529-A1224-B225	<del>5-1393479-0</del>	OBSOLETE		
V23529-A1224-B237	<del>5-1393479-1</del>	$\Delta_3$		
V23529-A1225-B209	<del>5-1393479-9</del>	OBSOLETE		
V23529-A1225-B215	<del>6-1393479-0</del>	OBSOLETE		
V23529-A1225-B225	<del>6-1393479-1</del>	OBSOLETE		
V23529-A1225-B237	<del>6-1393479-2</del>	$\Delta_2$ OBSOLETE		
V23529-A3113-B209	<del>7-1393479-3</del>	OBSOLETE		
V23529-A3113-B237	<del>7-1393479-6</del>	OBSOLETE		
V23529-A3121-B215	<del>5-1393487-6</del>	SUPERSEDED	5-106506-2	
V23529-A3121-B237	<del>5-1393487-7</del>	SUPERSEDED	5-106508-2	
V23529-A3122-B215	<del>9-1393479-2</del>	SUPERSEDED	7-106506-2	
V23529-A3122-B225	<del>9-1393479-3</del>	SUPERSEDED	7-106507-2	
V23529-A3122-B237	<del>6-1393487-1</del>	SUPERSEDED	7-106508-2	
V23529-A3125-B209	<del>6-1393487-5</del>	SUPERSEDED	8-106505-2	
V23529-A3125-B215	<del>6-1393487-6</del>	SUPERSEDED	8-106506-2	
V23529-A3125-B225	<del>6-1393487-7</del>	SUPERSEDED	8-106507-2	
V23529-A3125-B237	<del>6-1393487-8</del>	SUPERSEDED	8-106508-2	
V23529-A3212-B225	<del>1393480-3</del>	OBSOLETE		
V23529-A3221-B209	<del>7-1393487-3</del>	SUPERSEDED	106505-2	
V23529-A3221-B215	<del>7-1393487-4</del>	SUPERSEDED	106506-2	
V23529-A3221-B225	<del>7-1393487-5</del>	SUPERSEDED	106507-2	
V23529-A3221-B237	<del>7-1393487-6</del>	SUPERSEDED	106508-2	
V23529-A3222-B209	<del>8-1393487-1</del>	SUPERSEDED	2-106505-2	
V23529-A3222-B215	<del>8-1393487-2</del>	SUPERSEDED	2-106506-2	
V23529-A3222-B225	<del>8-1393487-3</del>	SUPERSEDED	2-106507-2	
V23529-A3222-B237	<del>8-1393487-4</del>	SUPERSEDED	2-106508-2	
V23529-A3225-B209	<del>1-1393480-2</del>	SUPERSEDED	3-106505-2	
V23529-A3225-B215	<del>1-1393480-3</del>	SUPERSEDED	3-106506-2	
V23529-A3225-B225	<del>8-1393487-8</del>	SUPERSEDED	3-106507-2	
V23529-A3225-B237	<del>8-1393487-9</del>	SUPERSEDED	3-106508-2	

OLD PN: V23529-A\*\*\*\*-B\*\*\*-\*-7427

1) nach DIN 41652 T.2 und T.4 according to DIN 41652 p.2 and p.4

$\Delta_2$  OBSOLETE PARTS: OBSOLETE CIS STREAMLINING PER D.RENAUD/D.SINISI  
 $\Delta_3$  OBSOLETE

THIS DRAWING IS A CONTROLLED DOCUMENT. DIMENSIONING AND TOLERANCING PER ASME Y14.5M-2009		DWN GNANI JADAV A E	07JAN10	TE Connectivity Buchsenleiste 90° Lötanschluss (Variant 2 und 3) <sup>1)</sup> Socketconnector, 90° solderversion (Type 2 and 3) <sup>1)</sup>			
DIMENSIONS: mm 		CHK K.MALCZYK	APVD K.MALCZYK			NAME	
TOLERANCES UNLESS OTHERWISE SPECIFIED: 0 PLC ± - 1 PLC ± - 2 PLC ± - 3 PLC ± - 4 PLC ± - ANGLES ± -		PRODUCT SPEC		SIZE	CAGE CODE	DRAWING NO	RESTRICTED TO
MATERIAL		FINISH		WEIGHT	A2	00779	C-1393478-4
CUSTOMER DRAWING				SCALE	2:1	SHEET	8 of 8



## X-ON Electronics

Largest Supplier of Electrical and Electronic Components

*Click to view similar products for [D-Sub Standard Connectors](#) category:*

*Click to view products by [TE Connectivity](#) manufacturer:*

Other Similar products are found below :

[56F711-015](#) [012-9507-004](#) [LV242999-142T12](#) [015-0341-000](#) [015-0372-005](#) [015-0372-008](#) [015-8755-001](#) [020419-0104](#) [012-0467-000](#) [012-0515-000](#) [012-9507-034](#) [012-9507-114](#) [020745-0008](#) [609-25P](#) [M24308/2-23Z](#) [CT2-14S-2PCA34](#) [CT2-18-11PCAU](#) [CT2-36-15SC](#) [CT6-14S-2SC](#) [CT6E14SA7SC](#) [CT6E22-14PC](#) [CT6E22-14PS](#) [CT6E22-22PS](#) [M83513/01-FC](#) [M85049/48-3-2F](#) [6STD09PCM99B70X](#) [6STD09SCM99B30X](#) [6STD09SCT99S40X](#) [6STD15PCT99S40X](#) [6STD15SCM99B30X](#) [6STD15SCT99S40X](#) [6STF09PCM05B70X](#) [7-135760-9](#) [MC11E-10-6SN](#) [747552-3](#) [MD1-21PS](#) [MDM-15SCBRM7-F222](#) [MDM96517-699](#) [MDM96521-744](#) [MDVB1-21SL1](#) [MIK0-1-7SH003](#) [MIKQ6-7SH076](#) [MIKQ7-7PH077](#) [MIKQ7-7PH11](#) [MIKQ7-7PH32](#) [MJSV-28SL61](#) [MKJ4A1F14-55S](#) [8-135760-3](#) [8STD09PCM99B30X](#) [PG-KV/PV-16-GROM-SEALING](#)