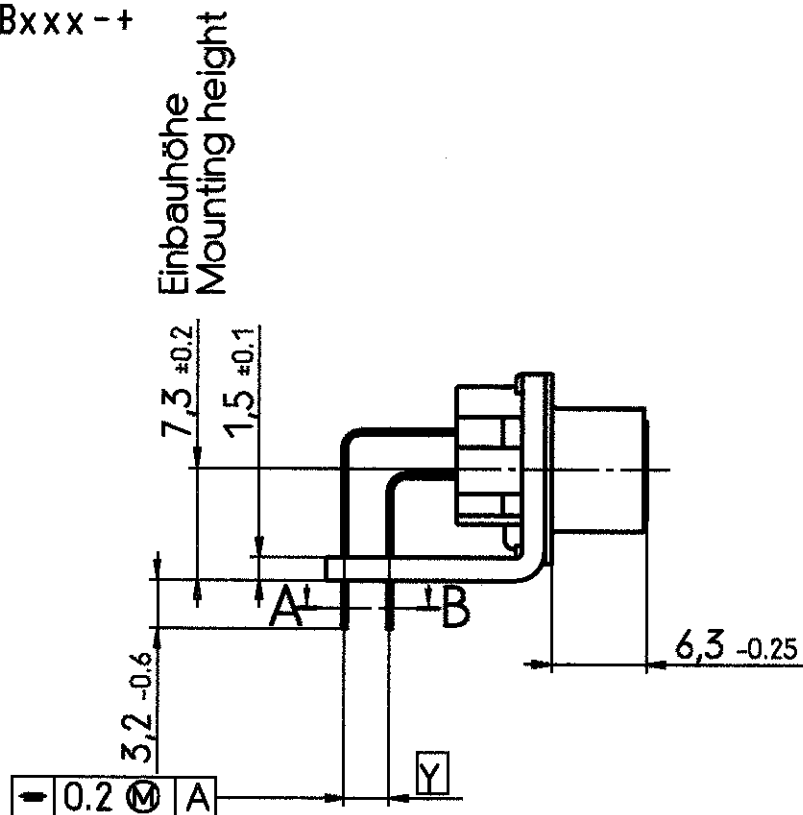
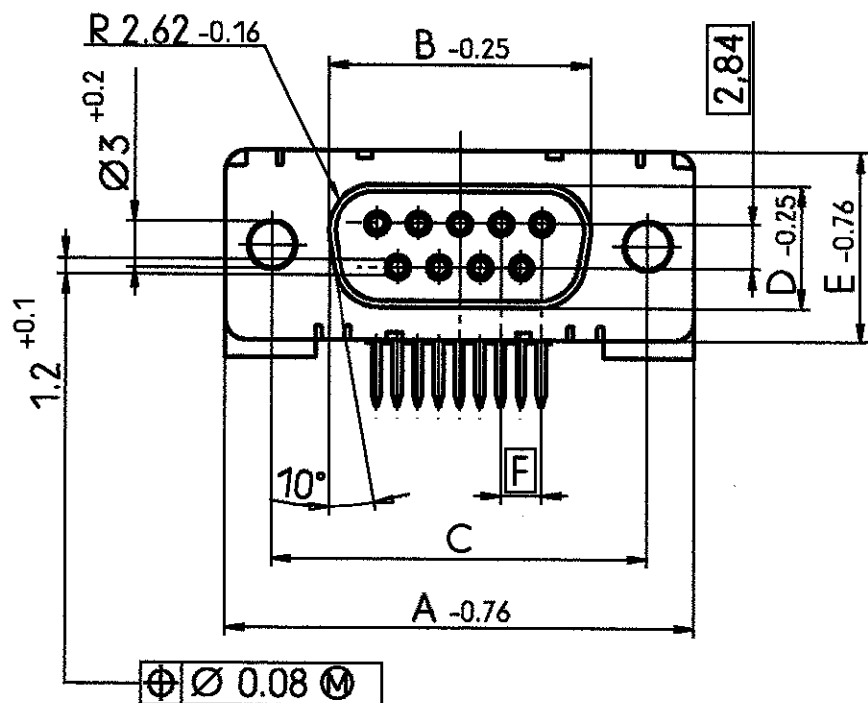
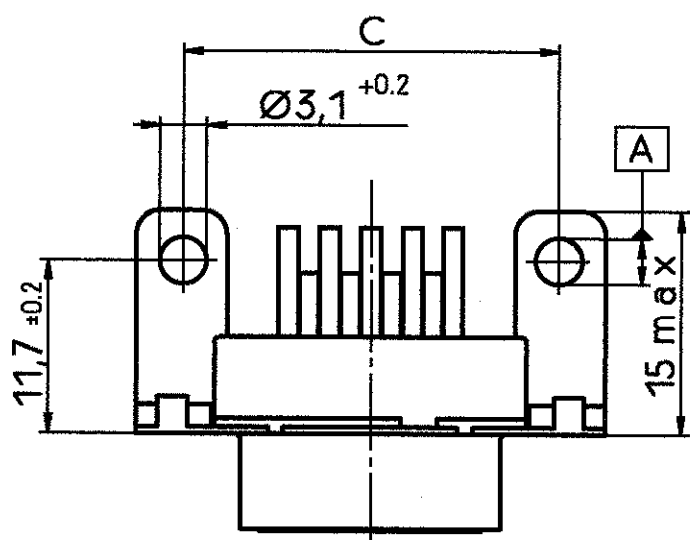
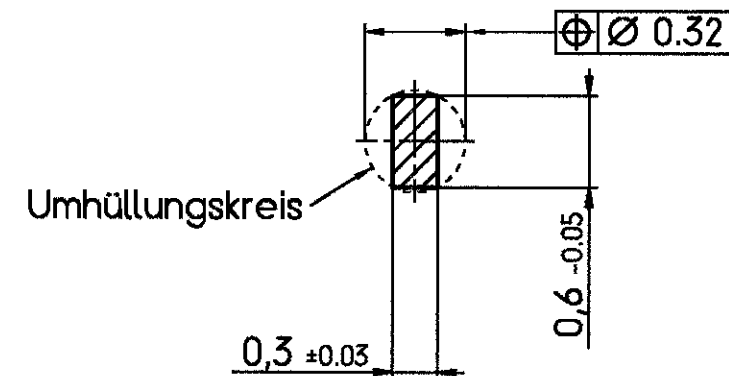


Standardausführung: V23529-A¹₂1x1-Bxxx-+
Standardversion



Schnitt AB des Lötanschlusses
Cross-section AB of solderpin
(20:1)



Sachnr/Ordernr V23529-	Y
Axx1x-Bxxx-+	2.84
Axx2x-Bxxx-+	2.54

Ordercode Sachnr	Contacts Polzahl	Mass/Dimension					
		A	B	C	D	E	F
..-Bx09-+	09	31.19	16.46	25.0 ^{+0.12} _{-0.13}	8.02	12.93	2.74
..-Bx15-+	15	39.52	24.79	33.3 ^{+0.15} _{-0.1}			2.74
..-Bx25-+	25	53.42	38.5	47.04 ^{+0.13} _{-0.13}			2.76
..-Bx37-+	37	69.7	54.96	63.5 ^{+0.13} _{-0.13}			2.76

Anforderungsstufe/Performance level ¹⁾

1) nach DIN 41652 T.2 und T.4
according to DIN 41652 p.2 and p.4

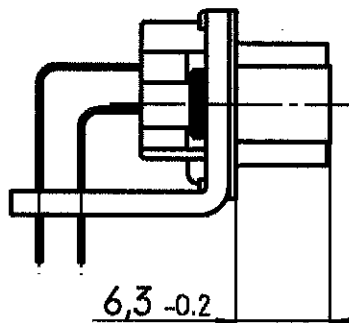
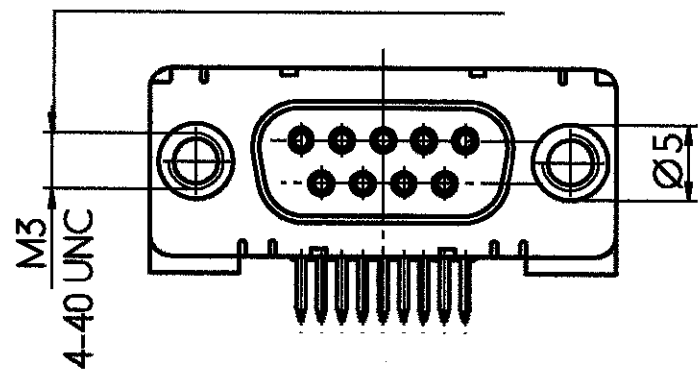
tyco		TYCO ELECTRONICS CORPORATION		SCALE 2:1 (20:1)		WEIGHT	
Electronics		OOSTKAMP - BELGIUM		DIMENSIONS IN MM		MATERIAL	
DATE 10.10.88		NAME Loridan		PART NAME		Buchsenleiste-90° Löt Ausführung	
DEP. PD COM		PART NO.		PART NAME		Socketconnector-90° solderversion	
B EHD1-1464-03 04 DEC 03 JvdH		TOLERANCE UNLESS SPECIFIED OTHERWISE		PART NO.		SHT. 1+	
A WO00/7003 26.05.00 VS		Customer Drawing Nr. C 1393478-4		V23529-A****-B***-*-7427		OF 8	
08 WO97/2518 04.02.97 BTH							
07 WO96/2515 15.04.96 BTH							
REV. CHANGE ORDER		DATE		APP.			

SUBSIDIARIES AND AFFILIATES. IT MAY NOT BE DISCLOSED TO ANYONE, OTHER THAN TYCO ELECTRONICS PERSONNEL, WITHOUT WRITTEN AUTHORIZATION FROM TYCO ELECTRONICS CORPORATION, HARRISBURG PENNSYLVANIA USA

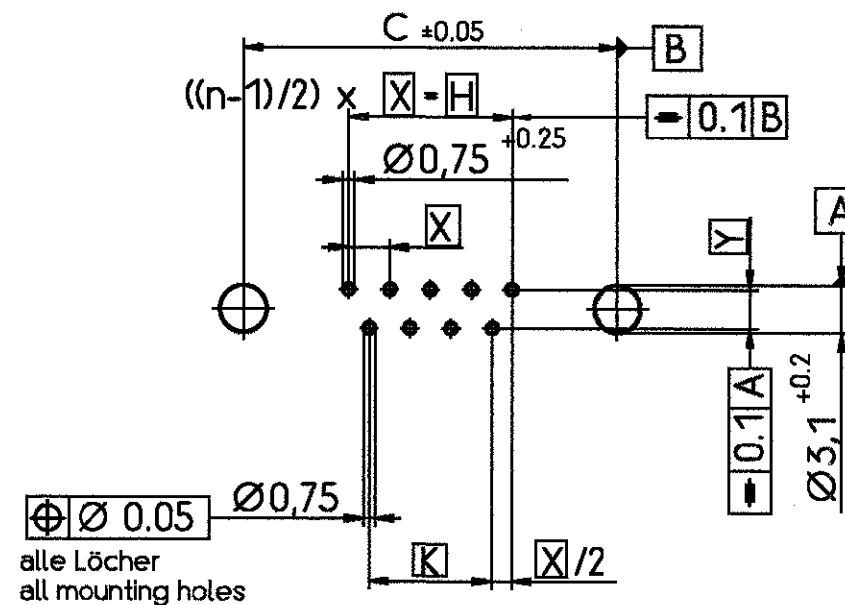
SUBSIDIARIES AND AFFILIATES. IT MAY NOT BE DISCLOSED TO ANYONE, OTHER THAN TYCO ELECTRONICS PERSONNEL, WITHOUT WRITTEN AUTHORIZATION FROM TYCO ELECTRONICS CORPORATION, HARRISBURG PENNSYLVANIA USA

mit Gewindebolzen: M3 V23529-A₂¹xx4-Bxxx-+
 with threadlock 4-40 UNC V23529-A₂¹xx5-Bxxx-+

Verdrehbarkeit ≥ 70 Ncm
 torsionresistance

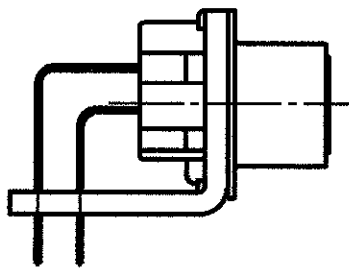
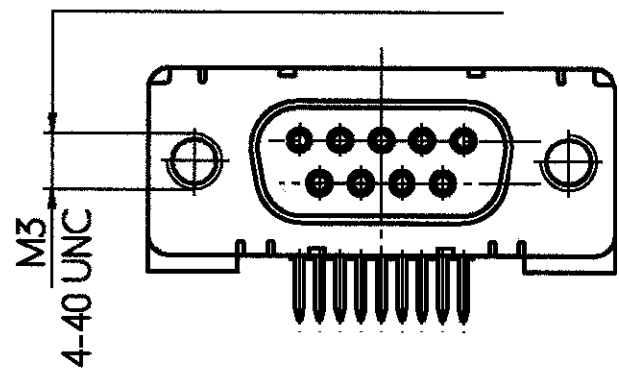


Leiterplattenbohrung
 PCB hole pattern



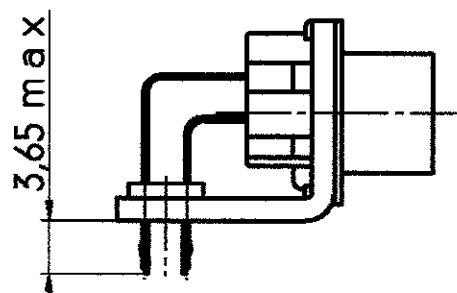
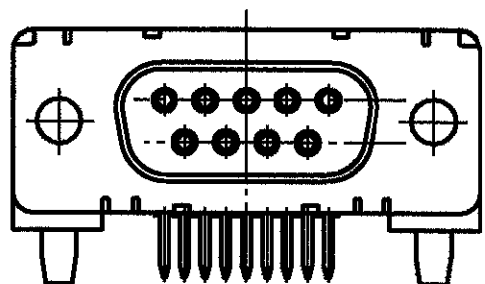
mit Gewinde: M3 V23529-A₂¹xx2-Bxxx-+
 with thread 4-40 UNC V23529-A₂¹xx3-Bxxx-+

Verdrehbarkeit ≥ 70 Ncm
 torsionresistance



Mass Dimension	Polzahl n Number of contacts n			
	9	15	25	37
C	25	33.3	47.04	63.5
H	10.96	19.18	33.12	49.68
K	8.22	16.44	30.36	46.92
X	2.74	2.74	2.76	2.76
Y	2.54 oder 2.84 or			

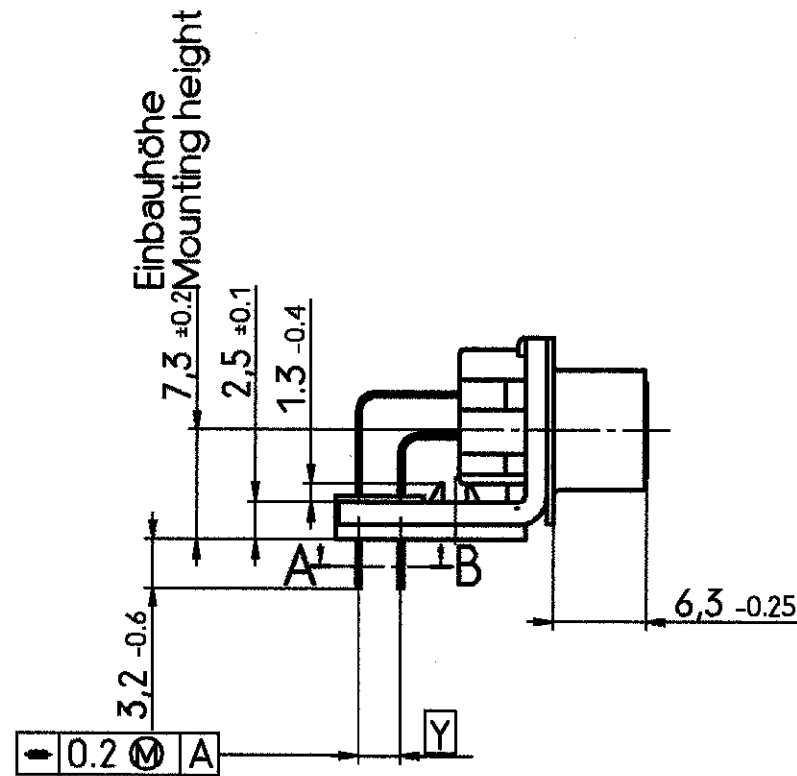
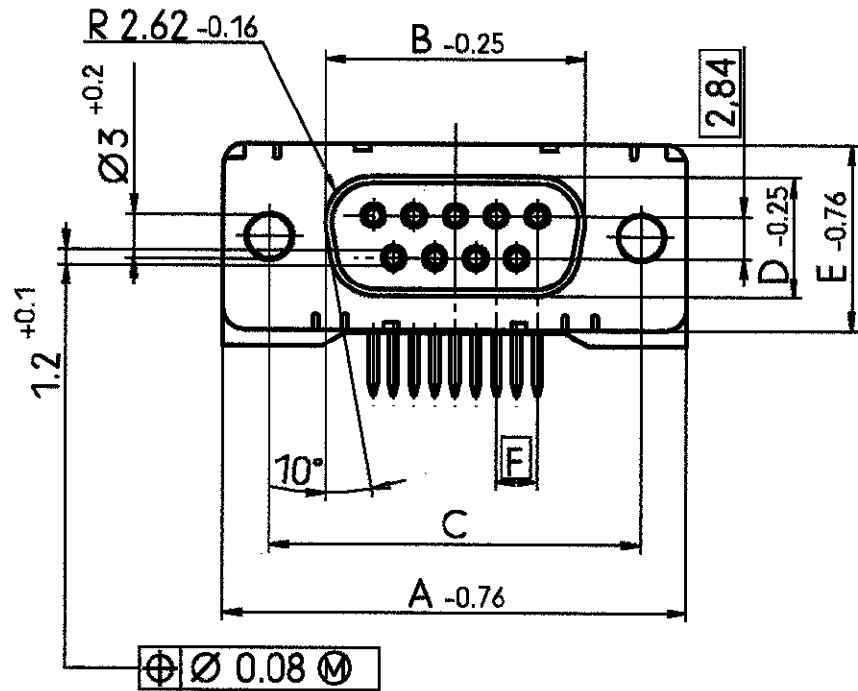
mit Clipbefestigung: V23529-A₂¹2xx-Bxxx-+
 with snap-in



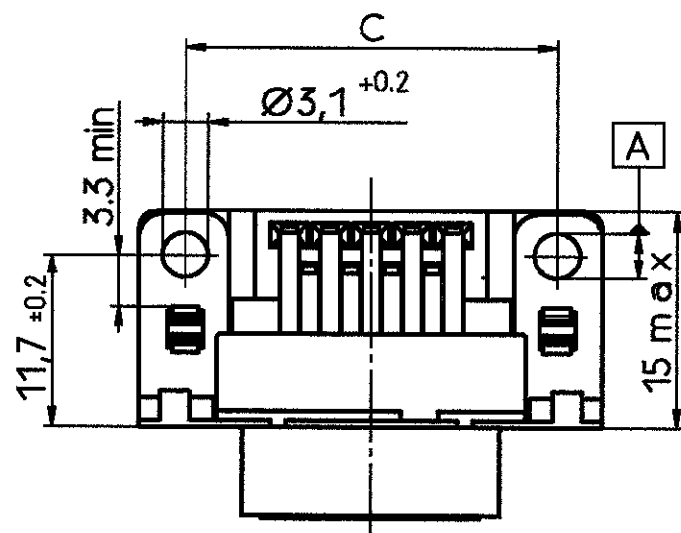
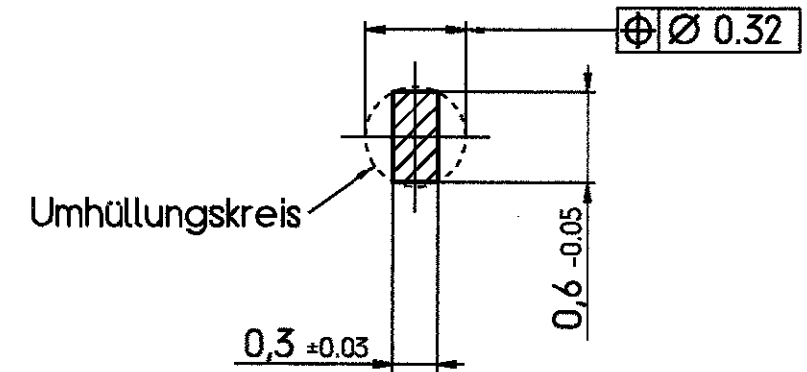
1) nach DIN 41652 T.2 und T.4
 according to DIN 41652 p.2 and p.4

tyco TYCO ELECTRONICS CORPORATION		SCALE 2:1		WEIGHT
OOSTKAMP - BELGIUM		DIMENSIONS IN MM		MATERIAL
LOC GW		DATE 10.10.88	PART NAME	
		NAME Loidan	Buchsenleiste-90° LötAusführung	
		DEP. PD COM	(Variant 2 und 3) ¹⁾	
			Socketconnector-90° solderversion	
			(Type 2 and 3) ¹⁾	
B FH01-1464-03 04 DEC 03 vrdH		TOLERANCE UNLESS SPECIFIED OTHERWISE		PART NO.
A WO 00/7003 26.05.00 VS				V23529-A****-B****-*-7427
08 WO97/2518 04.02.97 BTH				SHT. 2+
07 WO96/2515 15.04.96 BTH				OF 8
REV. CHANGE ORDER		DATE APP.		Customer Drawing Nr. C 1393478-4

Standardausführung isoliert: V23529-A³₄1x1-Bxxx-+
 Standardversion insulated



Schnitt AB des Lötanschlusses
 Cross-section AB of solderpin
 (20:1)



Sachnr./Ordernr V23529-	Y
Axx1x-Bxxx-+	2.84
Axx2x-Bxxx-+	2.54

Ordercode Sachnr	Contacts Polzahl	Mass/Dimension					
		A	B	C	D	E	F
...Bx09-+	09	31.19	16.46	25.0 ^{+0.12} _{-0.13}	8.02	12.93	2.74
...Bx15-+	15	39.52	24.79	33.3 ^{+0.15} _{-0.1}			2.74
...Bx25-+	25	53.42	38.5	47.04 ^{+0.13} _{-0.13}			2.76
...Bx37-+	37	69.7	54.96	63.5 ^{+0.13} _{-0.13}			2.76

Anforderungsstufe/Performance level¹⁾

1) nach DIN 41652 T.2 und T.4
 according to DIN 41652 p.2 and p.4

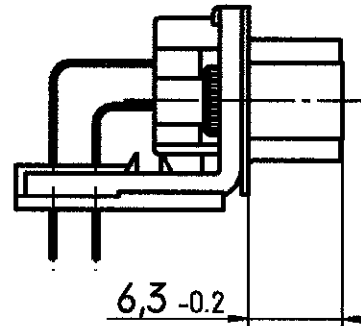
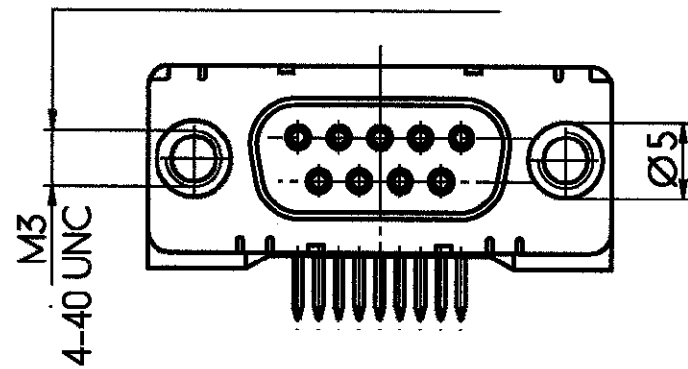
tyco TYCO ELECTRONICS CORPORATION		SCALE 2:1 (20:1)		WEIGHT	
OOSTKAMP - BELGIUM		LOC DIMENSIONS IN MM		MATERIAL	
DATE 10.10.88		NAME Loridan		PART NAME	
DEP. PD COM		TOLERANCE UNLESS SPECIFIED OTHERWISE		Buchsenleiste-90° LötAusführung (Variant 2 und 3) ¹⁾ Socketconnector-90° solderversion (Type 2 and 3) ¹⁾	
REV. CHANGE ORDER		DATE		PART NO.	
APP. Customer Drawing Nr. C 1393478-4				V23529-A****-B***-*-7427	
				SHT. 3+	
				OF 8	

SUBSIDIARIES AND AFFILIATES. IT MAY NOT BE DISCLOSED TO ANYONE, OTHER THAN TYCO ELECTRONICS PERSONNEL, WITHOUT WRITTEN AUTHORIZATION FROM TYCO ELECTRONICS CORPORATION, HARRISBURG PENNSYLVANIA USA

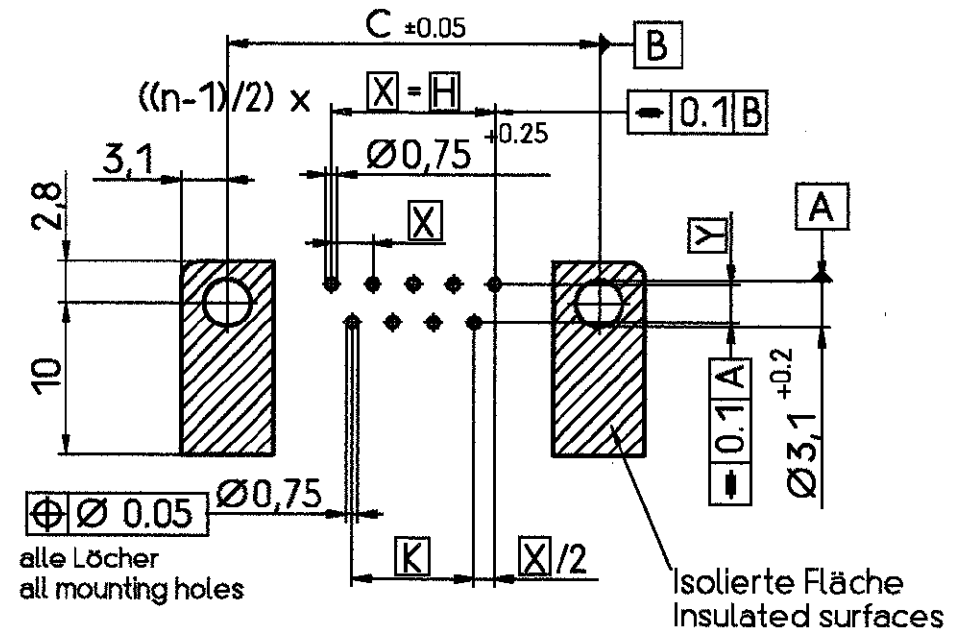
SUBSIDIARIES AND AFFILIATES. IT MAY NOT BE DISCLOSED TO ANYONE, OTHER THAN TYCO ELECTRONICS PERSONNEL, WITHOUT WRITTEN AUTHORIZATION FROM TYCO ELECTRONICS CORPORATION, HARRISBURG PENNSYLVANIA USA

mit Gewindebolzen: M3 V23529-A $\frac{3}{4}$ xx4-Bxxx-+
 with threadlock 4-40 UNC V23529-A $\frac{3}{4}$ xx5-Bxxx-+

Verdrehsicherheit \geq 70 Ncm
 torsionresistance

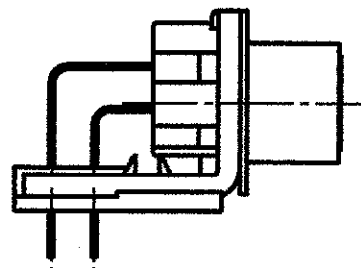
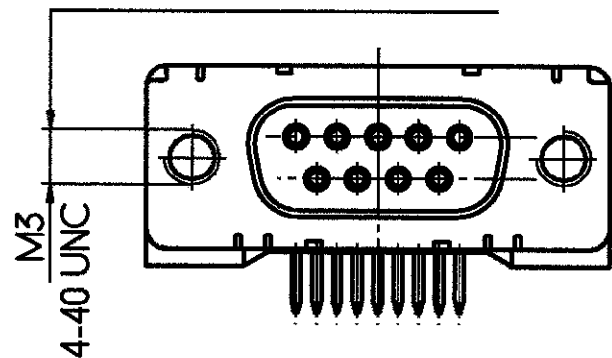


Leiterplattenbohrung
 PCB hole pattern



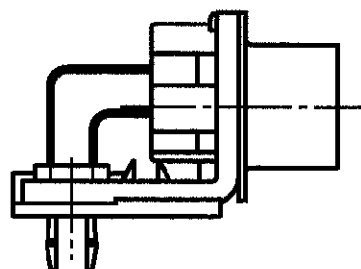
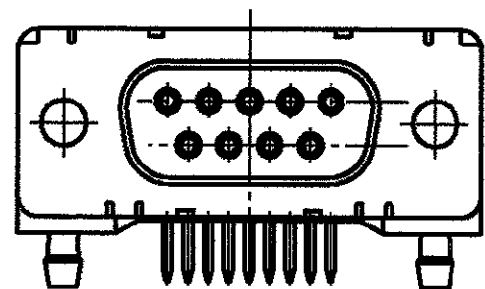
mit Gewinde: M3 V23529-A $\frac{3}{4}$ xx2-Bxxx-+
 with thread 4-40 UNC V23529-A $\frac{3}{4}$ xx3-Bxxx-+

Verdrehsicherheit \geq 70 Ncm
 torsionresistance



Mass Dimension	Polzahl n Number of contacts n			
	9	15	25	37
C	25	33.3	47.04	63.5
H	10.96	19.18	33.12	49.68
K	8.22	16.44	30.36	46.92
X	2.74	2.74	2.76	2.76
Y	2.54 ^{oder} or 2.84			

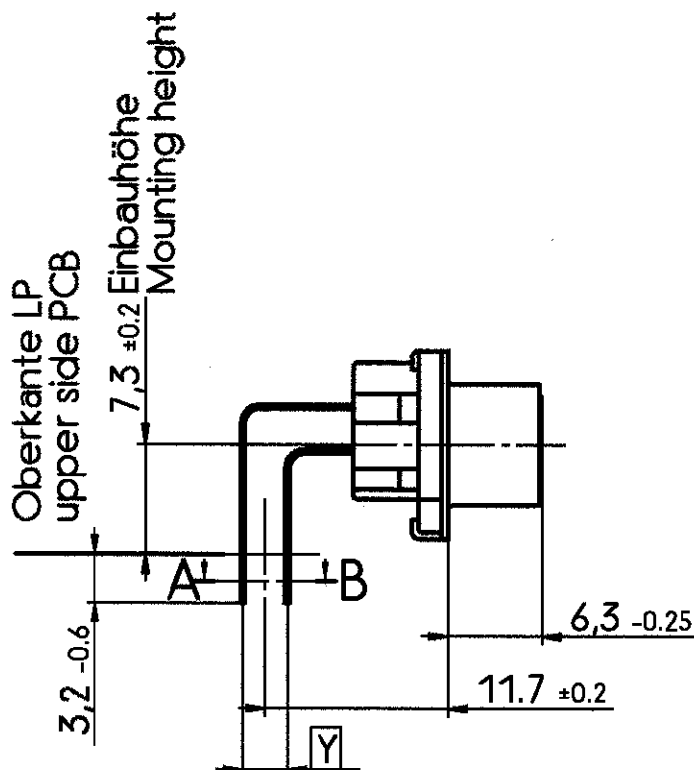
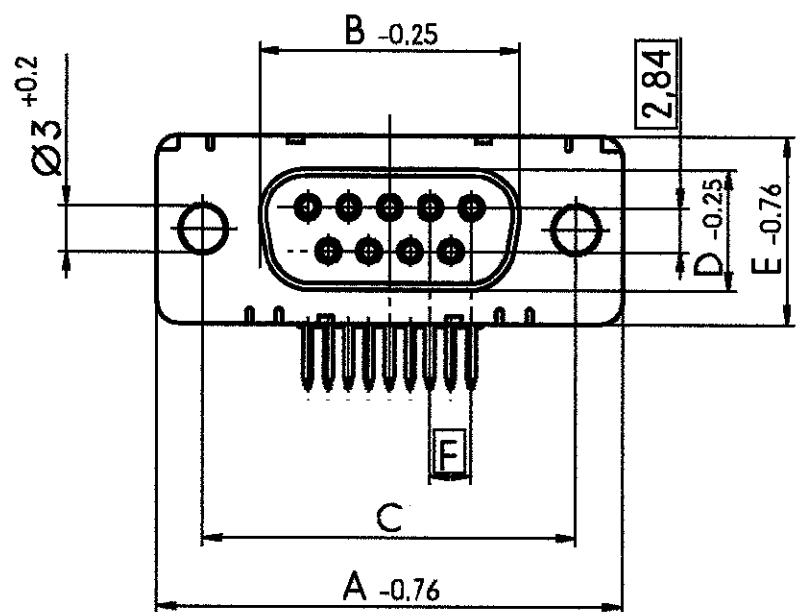
mit Clipbefestigung: V23529-A $\frac{3}{4}$ 2xx-Bxxx-+
 with snap-in



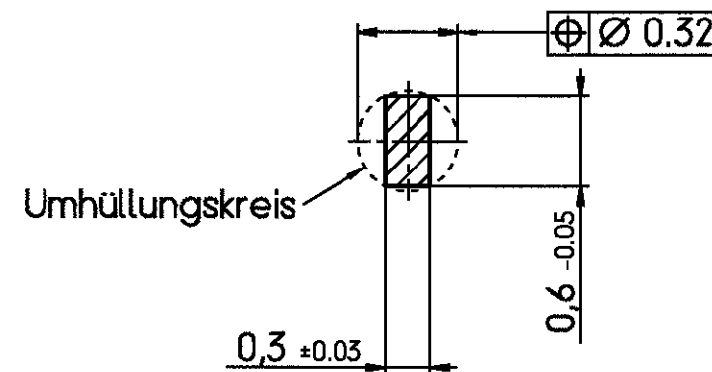
1) nach DIN 41652 T.2 und T.4
 according to DIN 41652 p.2 and p.4

tyco TYCO ELECTRONICS CORPORATION		SCALE 2:1		WEIGHT	
OOSTKAMP - BELGIUM		LOC DIMENSIONS IN MM		MATERIAL	
DATE 10.10.88		PART NAME		Buchsenleiste-90° Löt Ausführung	
NAME Loidan		PART NO.		V23529-A****-B****-*-7427	
DEP. PD.COM		TOLERANCE UNLESS SPECIFIED OTHERWISE		SHT. 4+	
REV. CHANGE ORDER DATE APP.		Customer Drawing Nr. C 1393478-4		OF 8	

Standardausführung ohne Winkel: V23529-A50x1-Bxxx-+
 Standardversion without bracket

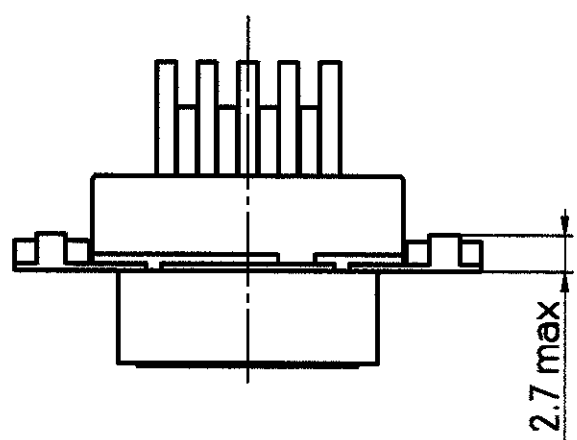


Schnitt AB des Lötanschlusses
 Cross-section AB of solderpin
 (20:1)



Sachnr/Ordernr V23529-	Y
A501x-Bxxx-+	2.84
A502x-Bxxx-+	2.54

Ordercode Sachnr	Contacts Polzahl	Mass/Dimension					
		A	B	C	D	E	F
..-Bx09-+	09	31.19	16.46	25.0 ^{+0.12} _{-0.13}	8.02	12.93	2.74
..-Bx15-+	15	39.52	24.79	33.3 ^{+0.15} _{-0.1}			2.74
..-Bx25-+	25	53.42	38.5	47.04 ^{+0.13} _{-0.13}			2.76
..-Bx37-+	37	69.7	54.96	63.5 ^{+0.13} _{-0.13}			2.76



Anforderungsstufe/Performance level ¹⁾

1) nach DIN 41652 T.2 und T.4
 according to DIN 41652 p.2 and p.4

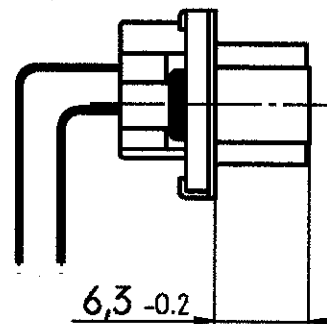
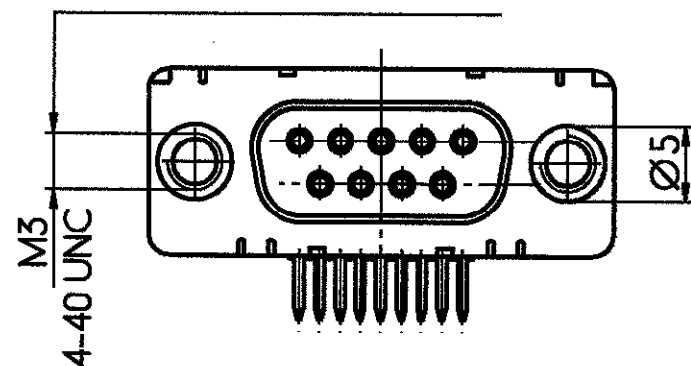
tyco TYCO ELECTRONICS CORPORATION		SCALE 2:1 (20:1)		WEIGHT	
OOSTKAMP - BELGIUM		DIMENSIONS IN MM		MATERIAL	
DATE 10.10.88		PART NAME		Büchsenleiste-90° LötAusführung	
NAME Lorian		PART NO.		V23529-A****-B***-*-7427	
DEP. PD.COM		SHT.		5+	
TOLERANCE UNLESS SPECIFIED OTHERWISE		REV.		OF 8	
Customer Drawing Nr. C 1393478-4					

SUBSIDIARIES AND AFFILIATES. IT MAY NOT BE DISCLOSED TO ANYONE, OTHER THAN TYCO ELECTRONICS PERSONNEL, WITHOUT WRITTEN AUTHORIZATION FROM TYCO ELECTRONICS CORPORATION, HARRISBURG PENNSYLVANIA USA

mit Gewindebolzen: M3 V23529-A50x4-Bxxx-+

with threadlock 4-40 UNC V23529-A50x5-Bxxx-+

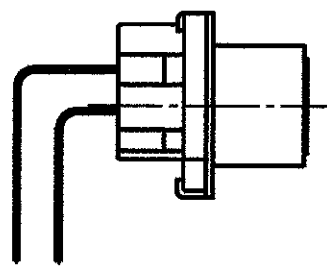
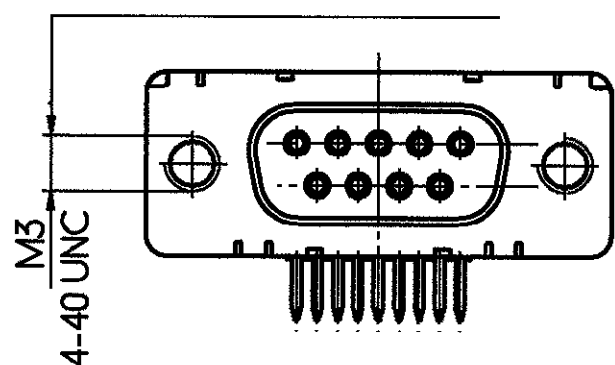
Verdrehsicherheit ≥ 70 Ncm
torsionresistance



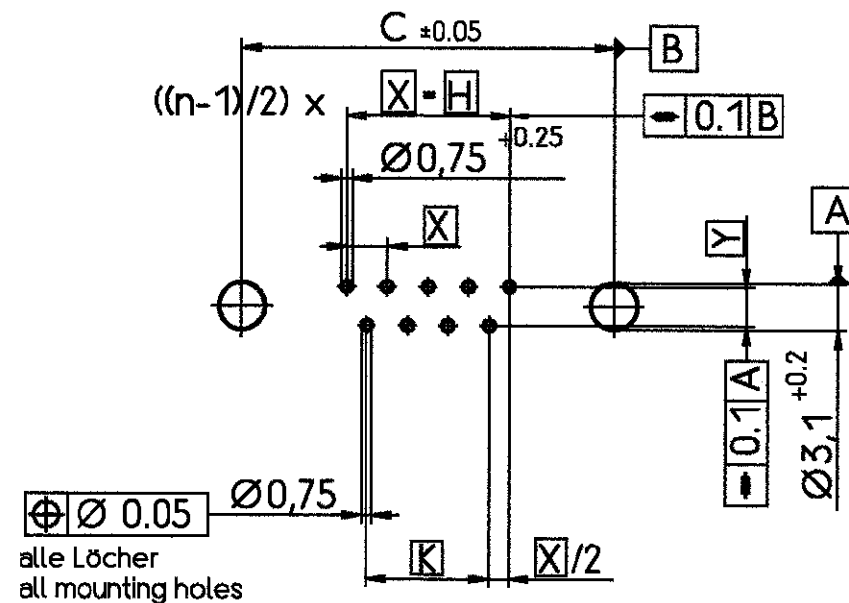
mit Gewinde: M3 V23529-A50x2-Bxxx-+

with thread 4-40 UNC V23529-A50x3-Bxxx-+

Verdrehsicherheit ≥ 70 Ncm
torsionresistance



Leiterplattenbohrung
PCB hole pattern



Mass Dimension	Polzahl n Number of contacts n			
	9	15	25	37
C	25	33.3	47.04	63.5
H	10.96	19.18	33.12	49.68
K	8.22	16.44	30.36	46.92
X	2.74	2.74	2.76	2.76
Y	2.54 ^{oder} or 2.84			

1) nach DIN 41652 T.2 und T.4
according to DIN 41652 p.2 and p.4

tyco TYCO ELECTRONICS CORPORATION		SCALE 2:1		WEIGHT
OOSTKAMP - BELGIUM		DIMENSIONS IN MM		MATERIAL
DATE 10.10.88		PART NAME		
NAME Lorida		Buchsenleiste-90° Lötausführung		
DEP. PD.COM		(Variant 2 und 3) ¹⁾		
REV. B EHD1-1464-03 04 DEC 03 JvdH		Socketconnector-90° solderversion		
A WO 00/7003 26.05.00 VS		(Type 2 and 3) ¹⁾		
08 WO97/2518 04.02.97 BTH		PART NO.		
07 WO96/2515 15.04.96 BTH		V23529-A****-B****-*-7427		
REV. CHANGE ORDER		DATE		SHT. 6+
APP. Customer Drawing Nr. C 1393478-4		OF 8		

SUBSIDIARIES AND AFFILIATES. IT MAY NOT BE DISCLOSED TO ANYONE, OTHER THAN TYCO ELECTRONICS PERSONNEL, WITHOUT WRITTEN AUTHORIZATION FROM TYCO ELECTRONICS CORPORATION, HARRISBURG PENNSYLVANIA USA

SUBSIDIARIES AND AFFILIATES. IT MAY NOT BE DISCLOSED TO ANYONE OTHER THAN TYCO ELECTRONICS PERSONNEL, WITHOUT WRITTEN AUTHORIZATION FROM TYCO ELECTRONICS CORPORATION, HARRISBURG PENNSYLVANIA USA

V 2 3 5 2 9 - A * * * * - B * * * - +

Winkelausführung / Beschriftung	
1	Metallwinkel / mit Hersteller-Beschriftung
2	Metallwinkel / ohne Beschriftung
3	Metallwinkel isoliert / mit Hersteller-Beschriftung
4	Metallwinkel isoliert / ohne Beschriftung
5	ohne Metallwinkel / mit Hersteller-Beschriftung

Leiterplattenbefestigung	
0	ohne LP-Befestigung
1	Loch Ø3
2	mit Clip
3	mit Gewinde M3

SUFFIX	
-(ohne)	Isolierteil grau RAL 7035
S	Isolierteil schwarz RAL 9005
H	Isolierteil schwarz RAL 9005 + Sonderbeschriftung H
T	Isolierteil schwarz hochtemperaturbeständig

Polzahl	
09	9 polig
15	15 polig
25	25 polig
37	37 polig

Anschlußvarianten	
1	Stiellänge 3,2 mm / Raster 2,84 x 2,76
2	Stiellänge 3,2 mm / Raster 2,54 x 2,76

Steckerbefestigung	
1	Loch Ø3
2	Gewinde M3
3	Gewinde 4-40UNC
4	Gewindebolzen M3
5	Gewindebolzen 4-40UNC

Kontaktoberfläche / Anforderungsstufe	
1	Au / Güte I
2	Au / Güte II

Steckerart	
B	Buchsenleiste

1) nach DIN 41652 T.2 und T.4 according to DIN 41652 p.2 and p.4

tyco TYCO ELECTRONICS CORPORATION				SCALE	WEIGHT
ELECTRONICS		OOSTKAMP - BELGIUM		MATERIAL	
		LOC GW		DIMENSIONS IN MM	
		DATE 10.10.88		PART NAME	
		NAME Lorian		Buchsenleiste-90° Lötausführung	
		DEP. PD COM		(Variant 2 und 3) 1)	
				Socketconnector-90° solderversion	
				(Type 2 and 3) 1)	
		TOLERANCE UNLESS SPECIFIED OTHERWISE		PART NO.	
B EH01-1464-03 04 DEC 03 Jwlh				V23529-A****-B****-*-7427	
A WO 00/7003 26.05.00 VS				SHT. 7+	
REV. CHANGE ORDER		DATE		APP. Customer Drawing Nr. C 1393478-4	
				OF 8	

Active part numbers. Contact Tyco Electronics for other configuration availability

Old Part Number	Tyco Part Number	PRIMARY	SECONDARY
V23529-A1111-B209	1393478-4		
V23529-A1111-B215	1393478-5		
V23529-A1111-B225	1393478-6		
V23529-A1111-B237	1393478-7		
V23529-A1112-B215	1-1393478-7		
V23529-A1112-B225	1-1393478-8		
V23529-A1115-B209	2-1393478-5		
V23529-A1115-B215	2-1393478-6		
V23529-A1115-B225	2-1393478-7		
V23529-A1115-B237	2-1393478-8		
V23529-A1121-B209	3-1393478-8		
V23529-A1121-B215	3-1393478-9		
V23529-A1121-B225	4-1393478-0		
V23529-A1121-B237	4-1393478-1		
V23529-A1122-B109	4-1393478-8		
V23529-A1122-B115	4-1393478-9		
V23529-A1122-B209	5-1393478-0		
V23529-A1122-B215	5-1393478-1		
V23529-A1122-B225	5-1393478-2		
V23529-A1123-B209	5-1393478-8		
V23529-A1123-B215	5-1393478-9		
V23529-A1123-B225	6-1393478-0		
V23529-A1123-B237	6-1393478-1		
V23529-A1124-B109	6-1393478-9		
V23529-A1124-B225	7-1393478-2		
V23529-A1125-B125	7-1393478-7		
V23529-A1125-B209	7-1393478-8		
V23529-A1125-B225	7-1393478-9		
V23529-A1212-B209	8-1393478-9		
V23529-A1212-B215	9-1393478-0		
V23529-A1212-B225	9-1393478-1		
V23529-A1213-B215	9-1393478-5		
V23529-A1215-B209	1393479-1		
V23529-A1215-B225	1393479-3		
V23529-A1221-B209	1-1393479-0		
V23529-A1221-B215	1-1393479-1		
V23529-A1221-B225	1-1393479-2		
V23529-A1221-B237	1-1393479-3		
V23529-A1222-B109	2-1393479-3		
V23529-A1222-B115	2-1393479-4		
V23529-A3223-B225	1-1393480-0	SUPERSEDED	4-106507-2
V23529-A3212-B215	1393480-2	OBSOLETE	
V23529-A3213-B209	1393480-6	OBSOLETE	
V23529-A3111-B209	6-1393479-8	OBSOLETE	
V23529-A3111-B215	6-1393479-9	OBSOLETE	
V23529-A3122-B209	6-1393487-0	SUPERSEDED	7-106505-2
V23529-A3111-B225	7-1393479-0	OBSOLETE	
V23529-A3113-B225	7-1393479-5	OBSOLETE	
V23529-A3115-B209	8-1393479-2	OBSOLETE	
V23529-A3121-B209	8-1393479-4	SUPERSEDED	5-106505-2
V23529-A3121-B225	8-1393479-5	SUPERSEDED	5-106507-2
V23529-A3123-B225	9-1393479-6	SUPERSEDED	6-106507-2

Old Part Number	Tyco Part Number	PRIMARY	SECONDARY
V23529-A1222-B209	2-1393479-6		
V23529-A1222-B215	2-1393479-7		
V23529-A1222-B225	2-1393479-8		
V23529-A1222-B237	2-1393479-9		
V23529-A1223-B209	3-1393479-8		
V23529-A1223-B215	3-1393479-9		
V23529-A1223-B225	4-1393479-0		
V23529-A1223-B237	4-1393479-1		
V23529-A1224-B209	4-1393479-8		
V23529-A1224-B215	4-1393479-9		
V23529-A1224-B225	5-1393479-0		
V23529-A1224-B237	5-1393479-1		
V23529-A1225-B209	5-1393479-9		
V23529-A1225-B215	6-1393479-0		
V23529-A1225-B225	6-1393479-1		
V23529-A1225-B237	6-1393479-2		
V23529-A3113-B209	7-1393479-3	OBSOLETE	
V23529-A3113-B237	7-1393479-6	OBSOLETE	
V23529-A3121-B215	5-1393487-6	SUPERSEDED	5-106506-2
V23529-A3121-B237	5-1393487-7	SUPERSEDED	5-106508-2
V23529-A3122-B215	9-1393479-2	SUPERSEDED	7-106506-2
V23529-A3122-B225	9-1393479-3	SUPERSEDED	7-106507-2
V23529-A3122-B237	6-1393487-1	SUPERSEDED	7-106500-2
V23529-A3125-B209	6-1393487-5	SUPERSEDED	8-106505-2
V23529-A3125-B215	6-1393487-6	SUPERSEDED	8-106506-2
V23529-A3125-B225	6-1393487-7	SUPERSEDED	8-106507-2
V23529-A3125-B237	6-1393487-8	SUPERSEDED	8-106508-2
V23529-A3212-B225	1393480-3	OBSOLETE	
V23529-A3221-B209	7-1393487-3	SUPERSEDED	106505-2
V23529-A3221-B215	7-1393487-4	SUPERSEDED	106506-2
V23529-A3221-B225	7-1393487-5	SUPERSEDED	106507-2
V23529-A3221-B237	7-1393487-6	SUPERSEDED	106508-2
V23529-A3222-B209	8-1393487-1	SUPERSEDED	2-106505-2
V23529-A3222-B215	8-1393487-2	SUPERSEDED	2-106506-2
V23529-A3222-B225	8-1393487-3	SUPERSEDED	2-106507-2
V23529-A3222-B237	8-1393487-4	SUPERSEDED	2-106508-2
V23529-A3225-B209	1-1393480-2	SUPERSEDED	3-106505-2
V23529-A3225-B215	1-1393480-3	SUPERSEDED	3-106506-2
V23529-A3225-B225	8-1393487-8	SUPERSEDED	3-106507-2
V23529-A3225-B237	8-1393487-9	SUPERSEDED	3-106508-2

1) nach DIN 41652 T.2 und T.4 according to DIN 41652 p.2 and p.4

tyco Tyco Electronics Corporation		SCALE		WEIGHT	
Oostkamp - Belgium		MATERIAL			
LOC DIMENSIONS IN MM		PART NAME			
DATE 10.10.88		Buchsenleiste-90° Löt Ausführung			
NAME Lorian		(Variant 2 und 3) 1)			
DEP. PD COM		Socketconnector-90° solderversion			
		(Type 2 and 3) 1)			
TOLERANCE UNLESS SPECIFIED OTHERWISE		PART NO.		SHT. 8-	
B EH01-1464-03 04 DEC 03 JvdH		V23529-A****-B****-7427		OF 8	
A WO 00/7003 26.05.00 VS		Customer Drawing Nr. C 1393478-4			
REV. CHANGE ORDER DATE APP.					

THIS INFORMATION IS CONFIDENTIAL AND PROPRIETARY TO TYCO ELECTRONICS CORPORATION AND ITS WORLDWIDE SUBSIDIARIES AND AFFILIATES. IT MAY NOT BE DISCLOSED TO ANYONE, OTHER THAN TYCO ELECTRONICS PERSONNEL, WITHOUT WRITTEN AUTHORIZATION FROM TYCO ELECTRONICS CORPORATION, HARRISBURG PENNSYLVANIA USA.

X-ON Electronics

Largest Supplier of Electrical and Electronic Components

Click to view similar products for [D-Sub Standard Connectors](#) category:

Click to view products by [TE Connectivity](#) manufacturer:

Other Similar products are found below :

[56F711-015](#) [012-9507-004](#) [LV242999-142T12](#) [015-0341-000](#) [015-0372-005](#) [015-0372-008](#) [015-8755-001](#) [020419-0104](#) [012-0467-000](#) [012-0515-000](#) [012-9507-034](#) [012-9507-114](#) [020745-0008](#) [609-25P](#) [M24308/2-23Z](#) [CT2-14S-2PCA34](#) [CT2-18-11PCAU](#) [CT2-36-15SC](#) [CT6-10SL-3SC](#) [CT6-10SL-4SC](#) [CT6-14S-2SC](#) [CT6E14SA7SC](#) [M83513/01-FC](#) [M83723/76W24619 L/C](#) [M85049/48-3-2F](#) [6STD09PCM99B70X](#) [6STD09SCM99B30X](#) [6STD09SCT99S40X](#) [6STD15PCT99S40X](#) [6STD15SCM99B30X](#) [6STD15SCT99S40X](#) [6STF09PCM05B70X](#) [7-135760-9](#) [MC11E-10-6SN](#) [747552-3](#) [MD1-21PS](#) [MDM-15SCBRM7-F222](#) [MDM96517-699](#) [MDM96521-744](#) [MDVB1-21SL1](#) [MIK0-1-7SH003](#) [MIKQ6-7SH076](#) [MIKQ7-7PH077](#) [MIKQ7-7PH11](#) [MIKQ7-7PH32](#) [MJSV-28SL61](#) [MKJ4A1F14-55S](#) [8-135760-3](#) [8STD09PCM99B30X](#) [PG-KV/PV-16-GROM-SEALING](#)