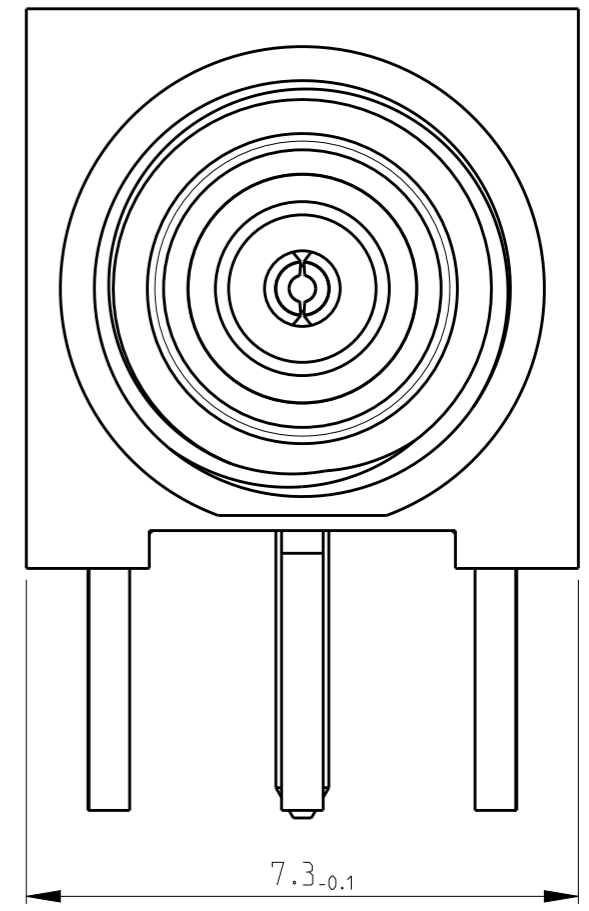
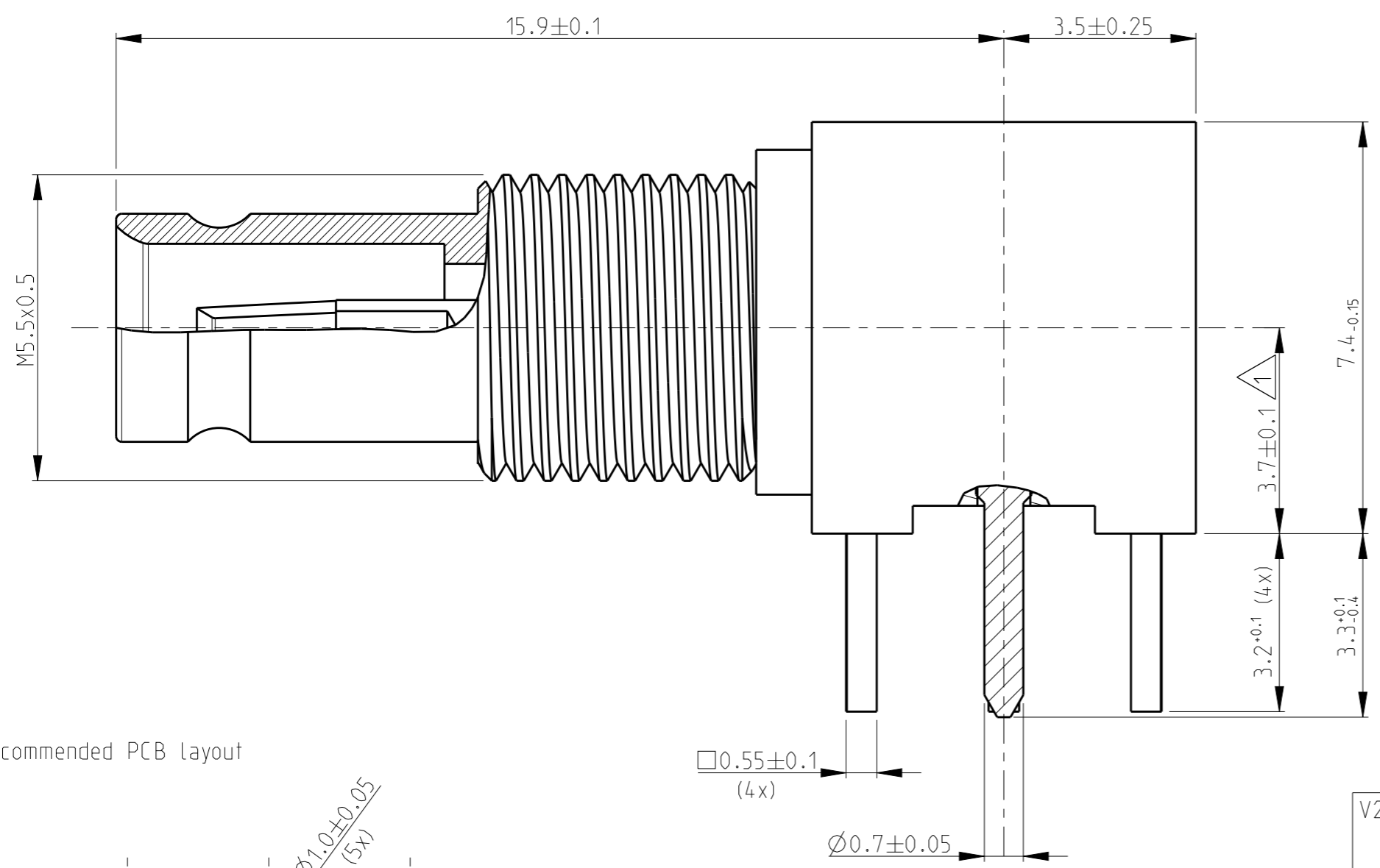
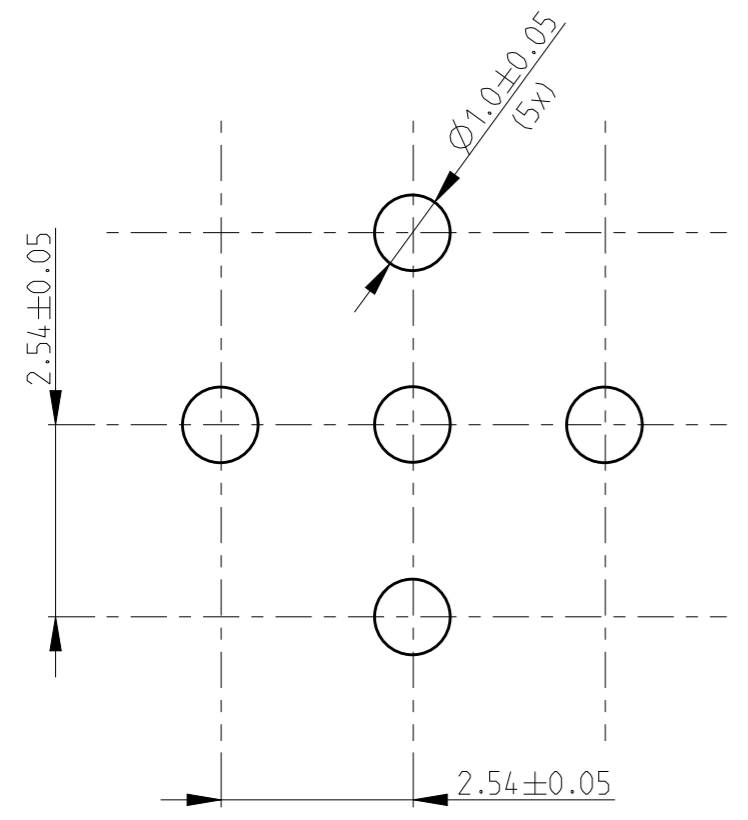


THIS DRAWING IS UNPUBLISHED. RELEASED FOR PUBLICATION 20  
 © COPYRIGHT 20 BY - ALL RIGHTS RESERVED.

REVISIONS					
P	LTR	DESCRIPTION	DATE	DWN	APVD
B1		REVISED PER ECR-19-003418	11MAR2019	ED	RS
A3		ECR-07-030440	17DEC2007	MS	DB
A2		ECR-07-030292	14DEC2007	MS	DB
A1		SR10-0138-01	5APR2001	CM	KM



Recommended PCB layout

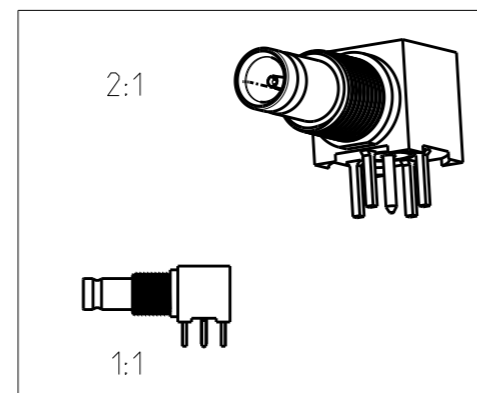


2. Mating face according to DIN 47297 and CECC 22230

1 Installation dimension

All dimensions are max dimensions unless otherwise specified

Old Nr	TE Nr	Description	Material	Plating
V23600-A1227-G1	3-1393670-9	Body	Brass	4 µm Ag min / Sn on solder pins
		Dielectric	PTFE	
		Outer Con.	Brass	1 µm Au min in contact area or equivalent
		Center Con.	Cu Be / Bz4	1 µm Au min in contact area or equivalent



THIS DRAWING IS A CONTROLLED DOCUMENT.	
DIMENSIONS:	TOLERANCES UNLESS OTHERWISE SPECIFIED:
mm	
	0 PLC ±
	1 PLC ±0.5
	2 PLC ±0.13
	3 PLC ±0.013
	4 PLC ±0.0001
	ANGLES ±
MATERIAL	FINISH
-	-
-	-

DWN	MOROBÉ	02APR2001
CHK	MATTHEEUW	03APR2001
APVD	BÖZZER	05APR2001
PRODUCT SPEC	108-71032	
APPLICATION SPEC	-	
WEIGHT	-	
CUSTOMER DRAWING		

**STE** TE Connectivity

NAME: BULKHEAD ANGLE JACK WITH PCB CONNECTION 1.0/2.3 50 Ohm

SIZE	CAGE CODE	DRAWING NO	RESTRICTED TO
A3	00779	3-1393670-9	

SCALE 10:1 SHEET 1 OF 1 REV B1

## X-ON Electronics

Largest Supplier of Electrical and Electronic Components

*Click to view similar products for [RF Connectors / Coaxial Connectors](#) category:*

*Click to view products by [TE Connectivity](#) manufacturer:*

Other Similar products are found below :

[8915-1511-000](#) [89674-0827](#) [6001-7071-019](#) [6002-7051-003](#) [6002-7551-202](#) [6059674-1](#) [619550-1](#) [630059-000](#) [M39030/3-01N](#) [6500-7071-046](#) [6769](#) [CX050L2AQ](#) [7002-1541-010](#) [7002-1542-011](#) [7004-1512-000](#) [7009-1511-004](#) [7010-1511-000](#) [7029-1511-060](#) [7101-1541-010](#) [7101-1571-002](#) [7105-1521-002](#) [7145-1521-002](#) [7203-1571-003](#) [7209-1511-011](#) [7210-1511-015](#) [7210-1511-019](#) [73137-5015](#) [73216-2241](#) [73404-2300](#) [7405-1521-005](#) [7405-1521-802](#) [8527](#) [8547](#) [FS11V](#) [877931](#) [9049-9513-000](#) [9074-9513-000](#) [9101-9573-002](#) [910A205F](#) [9130-9573-002](#) [PL11SC-026](#) [PL375-33](#) [PL40-5](#) [PL74C-221](#) [PL75MC-217](#) [PL803-7](#) [1200690078](#) [1-201144-1](#) [R107003010W](#) [R110A172100](#)