

SLIDE IN LOCKED POSITION  
 Schieber in Verriegelungsposition

(31.2)

CODING A  
 Kodierung

PN 1-1418480-1

CODING  
 Kodierung

POLARIZATION  
 Polarisierungen

CODING B  
 Kodierung

PN 2-1418480-1

CODING  
 Kodierung

POLARIZATION  
 Polarisierungen

CODING C  
 Kodierung

PN 3-1418480-1

CODING  
 Kodierung

POLARIZATION  
 Polarisierungen

CODING D  
 Kodierung

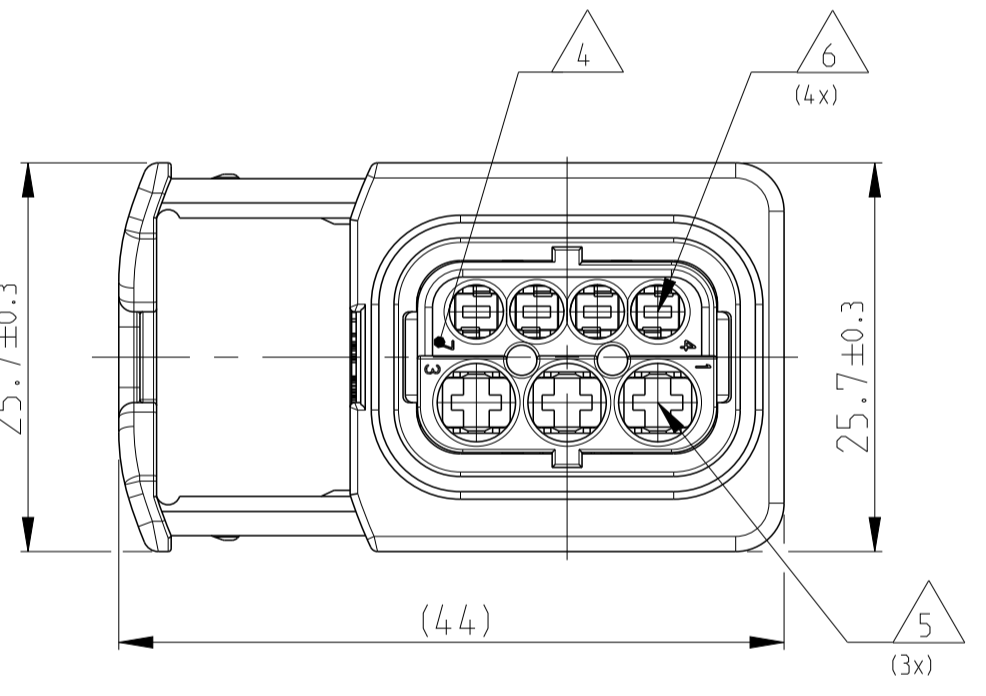
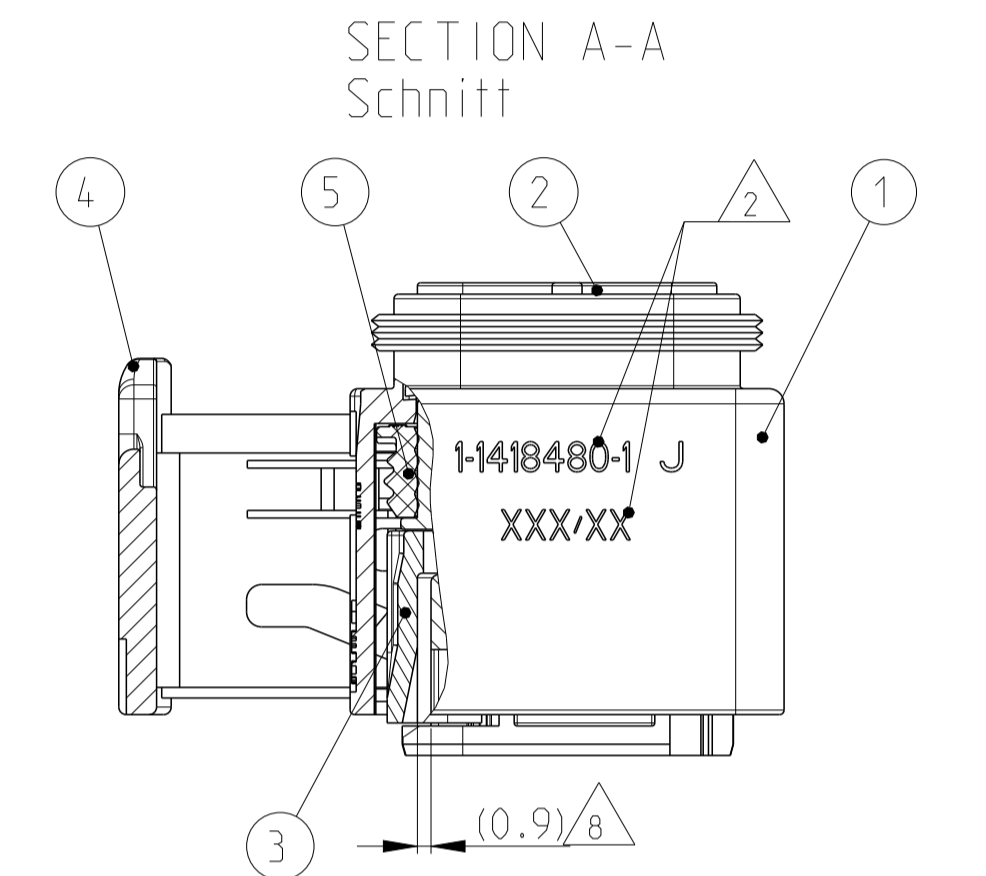
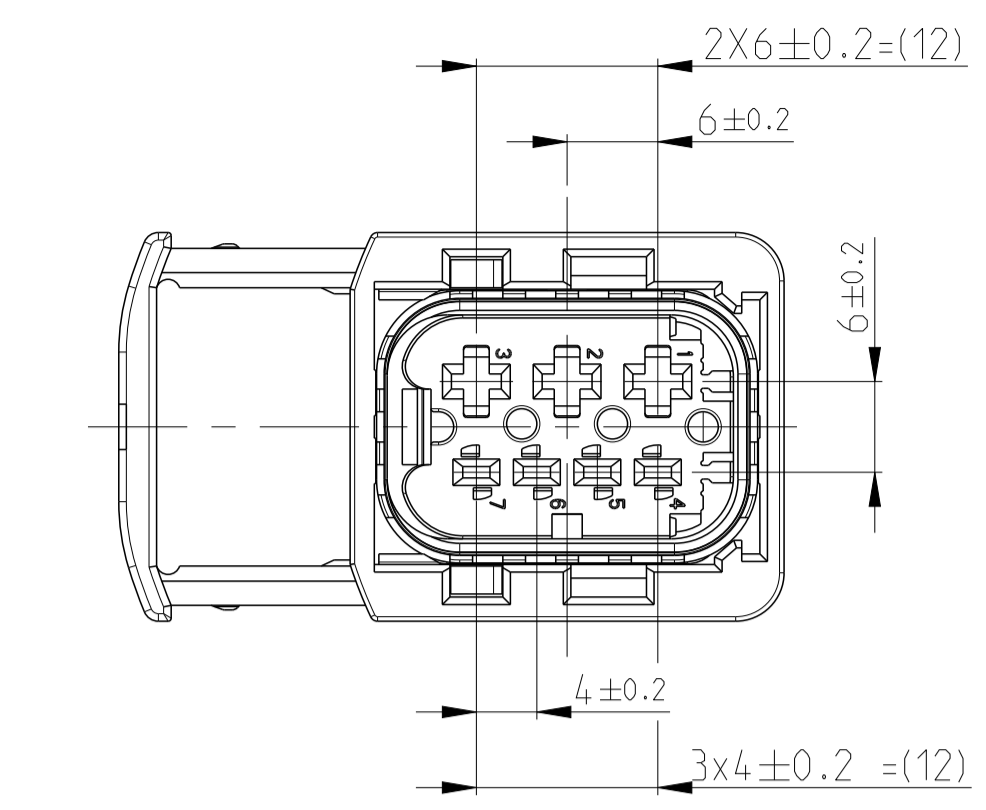
PN 4-1418480-1

CODING  
 Kodierung

POLARIZATION  
 Polarisierungen

DELIVERY CONDITION:  
 Lieferzustand:

SECONDARY LOCKING AND SLIDE  
 IN PRE-LOCKED POSITION  
 2. Kontaktsicherung und Schieber  
 in Vorraststellung



1-1418480-1 AS SHOWN  
 1-1418480-1 wie gezeigt

| PROJEKT NR. | EGATNOS327                  | REVISIONS | ANÄNDERUNGEN | DESCRIPTION | DATE | DWN | APVD |
|-------------|-----------------------------|-----------|--------------|-------------|------|-----|------|
| J1          | ECR-15-007756               | 15MAY2015 | SK           | Krauss      |      |     |      |
| J2          | DETAILS SEE PCN E-16-001359 | 28APR2016 | MAH.         | GILLC       |      |     |      |

- NOTES  
 Bemerkungen
- TE LOGO  
 TE Logo
  - ASSY PN, PRODUCTION DATE (CALENDAR DAY/YEAR):  
 MARKING OPTIONAL AS LASER ENGRAVING OR  
 LASER WITH COLOR CHANGE  
 Assy PN, Produktionsdatum (Kalendertag/Jahr):  
 Beschriftung wahlweise als Lasergravur oder Laser mit Farbumschlag
  - BULK PACKAGING IN CORRUGATED BOX  
 Schuetzgut im Versandkarton
  - CAVITY NUMBERING  
 Kammer Bezeichnung
  - CAVITIES MATED WITH AMP MCP 2.8  
 SEE PRODUCT GROUP DRAWING  
 TE NO: 1355036  
 MAX. WIRE SIZE: 2.5mm<sup>2</sup> FLR (AWG 12 TXL)
  - CAVITIES MATED WITH AMP MCP 1.5k  
 SEE PRODUCT GROUP DRAWING  
 TE NO: 1241436  
 MAX. WIRE SIZE: 1.5mm<sup>2</sup> FLR
- STANDARD APPLICATION:  
 AT TEMPERATURE UP TO 120 DEGREE CELSIUS.  
 SINGLE WIRE SEAL PN 0-2287497-1 AT WIRE SIZE 1.5mm<sup>2</sup> FLR  
 RECOMMENDED.
- RECOMMENDATION FOR APPLICATION TEMPERATURES UP TO  
 140 DEGREE CELSIUS, SINGLE WIRE SEAL  
 PN 0-964972-1, WIRE SIZE: 1.5mm<sup>2</sup> FLR (AWG 16 TXL)  
 BUT SLIGHTLY HINDERED MOUNTING.
- Kontaktkammern passend fuer AMP MCP 1.5k  
 siehe Produktgruppenzeichnung  
 TE Nr: 1241436  
 max. Drahtgroessenbereich: 1.5mm<sup>2</sup> FLR
- Standard Anwendung:  
 Bei Einsatztemperatur bis 120°C  
 Bei Einsatztemperaturen bis 140°C empfehlen wir bei dem  
 Drahtgroessenbereich 1.5mm<sup>2</sup> FLR (AWG 16 TXL) die Einzelleiterdichtung  
 PN 964972-1,  
 jedoch mit leicht erschwelter Bestueckbarkeit.
- SUITABLE COVERS SEE DRAWING: 1670057, 1670364  
 Passende Kappen siehe Zeichnung: 1670057, 1670364
  - SLIDING DISTANCE OF SECONDARY LOCKING  
 Verschiebeweg der 2. Kontaktsicherung
  - FITS TO TE INTERFACE DRAWING 114-18740-1  
 Passend zur Ausfuehrungsvorschrift 114-18740-1
  - SUITABLE COUNTERPART SEE DRAWING: 1670214, 1703648  
 passendes Gegenstueck siehe Zeichnung: 1670214, 1703648
  - MALFUNCTION CAUSED BY LACQUER IS NOT  
 COVERED BY TE WARRANTY.  
 Funktionsbeeinträchtigung durch Lackieren liegt nicht im  
 Einfluss und Gewährleistungsumfang von TE.

| RECEPTACLE HOUSING            | BLACK          | BLACK          | BLACK          | GREEN          | BLUE           | YELLOW         | WHITE | DESCRIPTION  | ITEM |
|-------------------------------|----------------|----------------|----------------|----------------|----------------|----------------|-------|--------------|------|
| Buchsengehäuse                | schwarz        | schwarz        | schwarz        | grün           | blau           | gelb           | weiß  | Beschreibung | NO   |
| 7POS. CAVITY BLOCK, CODE, "A" | PBT-GF30 / V-0 | PBT-GF30 / V-0 | PBT-GF30 / V-0 | PBT-GF30 / V-0 | PBT-GF30 / V-0 | PBT-GF30 / V-0 | MVO   | U-Schieber   | 5    |
| 7POS. CAVITY BLOCK, CODE, "C" | PBT-GF30 / V-0 | PBT-GF30 / V-0 | PBT-GF30 / V-0 | PBT-GF30 / V-0 | PBT-GF30 / V-0 | PBT-GF30 / V-0 | MVO   | SEAL         | 5    |
| 7POS. CAVITY BLOCK, CODE, "D" | PBT-GF30 / V-0 | PBT-GF30 / V-0 | PBT-GF30 / V-0 | PBT-GF30 / V-0 | PBT-GF30 / V-0 | PBT-GF30 / V-0 | MVO   | Dichtung     | 5    |
| 7POS. CAVITY BLOCK, CODE, "E" | PBT-GF30 / V-0 | PBT-GF30 / V-0 | PBT-GF30 / V-0 | PBT-GF30 / V-0 | PBT-GF30 / V-0 | PBT-GF30 / V-0 | MVO   |              | 5    |
| 7POS. CAVITY BLOCK, CODE, "F" | PBT-GF30 / V-0 | PBT-GF30 / V-0 | PBT-GF30 / V-0 | PBT-GF30 / V-0 | PBT-GF30 / V-0 | PBT-GF30 / V-0 | MVO   |              | 5    |
| 7POS. CAVITY BLOCK, CODE, "G" | PBT-GF30 / V-0 | PBT-GF30 / V-0 | PBT-GF30 / V-0 | PBT-GF30 / V-0 | PBT-GF30 / V-0 | PBT-GF30 / V-0 | MVO   |              | 5    |
| 7POS. CAVITY BLOCK, CODE, "H" | PBT-GF30 / V-0 | PBT-GF30 / V-0 | PBT-GF30 / V-0 | PBT-GF30 / V-0 | PBT-GF30 / V-0 | PBT-GF30 / V-0 | MVO   |              | 5    |
| 7POS. CAVITY BLOCK, CODE, "I" | PBT-GF30 / V-0 | PBT-GF30 / V-0 | PBT-GF30 / V-0 | PBT-GF30 / V-0 | PBT-GF30 / V-0 | PBT-GF30 / V-0 | MVO   |              | 5    |
| 7POS. CAVITY BLOCK, CODE, "J" | PBT-GF30 / V-0 | PBT-GF30 / V-0 | PBT-GF30 / V-0 | PBT-GF30 / V-0 | PBT-GF30 / V-0 | PBT-GF30 / V-0 | MVO   |              | 5    |
| 7POS. CAVITY BLOCK, CODE, "K" | PBT-GF30 / V-0 | PBT-GF30 / V-0 | PBT-GF30 / V-0 | PBT-GF30 / V-0 | PBT-GF30 / V-0 | PBT-GF30 / V-0 | MVO   |              | 5    |
| 7POS. CAVITY BLOCK, CODE, "L" | PBT-GF30 / V-0 | PBT-GF30 / V-0 | PBT-GF30 / V-0 | PBT-GF30 / V-0 | PBT-GF30 / V-0 | PBT-GF30 / V-0 | MVO   |              | 5    |
| 7POS. CAVITY BLOCK, CODE, "M" | PBT-GF30 / V-0 | PBT-GF30 / V-0 | PBT-GF30 / V-0 | PBT-GF30 / V-0 | PBT-GF30 / V-0 | PBT-GF30 / V-0 | MVO   |              | 5    |
| 7POS. CAVITY BLOCK, CODE, "N" | PBT-GF30 / V-0 | PBT-GF30 / V-0 | PBT-GF30 / V-0 | PBT-GF30 / V-0 | PBT-GF30 / V-0 | PBT-GF30 / V-0 | MVO   |              | 5    |
| 7POS. CAVITY BLOCK, CODE, "O" | PBT-GF30 / V-0 | PBT-GF30 / V-0 | PBT-GF30 / V-0 | PBT-GF30 / V-0 | PBT-GF30 / V-0 | PBT-GF30 / V-0 | MVO   |              | 5    |
| 7POS. CAVITY BLOCK, CODE, "P" | PBT-GF30 / V-0 | PBT-GF30 / V-0 | PBT-GF30 / V-0 | PBT-GF30 / V-0 | PBT-GF30 / V-0 | PBT-GF30 / V-0 | MVO   |              | 5    |
| 7POS. CAVITY BLOCK, CODE, "Q" | PBT-GF30 / V-0 | PBT-GF30 / V-0 | PBT-GF30 / V-0 | PBT-GF30 / V-0 | PBT-GF30 / V-0 | PBT-GF30 / V-0 | MVO   |              | 5    |
| 7POS. CAVITY BLOCK, CODE, "R" | PBT-GF30 / V-0 | PBT-GF30 / V-0 | PBT-GF30 / V-0 | PBT-GF30 / V-0 | PBT-GF30 / V-0 | PBT-GF30 / V-0 | MVO   |              | 5    |
| 7POS. CAVITY BLOCK, CODE, "S" | PBT-GF30 / V-0 | PBT-GF30 / V-0 | PBT-GF30 / V-0 | PBT-GF30 / V-0 | PBT-GF30 / V-0 | PBT-GF30 / V-0 | MVO   |              | 5    |
| 7POS. CAVITY BLOCK, CODE, "T" | PBT-GF30 / V-0 | PBT-GF30 / V-0 | PBT-GF30 / V-0 | PBT-GF30 / V-0 | PBT-GF30 / V-0 | PBT-GF30 / V-0 | MVO   |              | 5    |
| 7POS. CAVITY BLOCK, CODE, "U" | PBT-GF30 / V-0 | PBT-GF30 / V-0 | PBT-GF30 / V-0 | PBT-GF30 / V-0 | PBT-GF30 / V-0 | PBT-GF30 / V-0 | MVO   |              | 5    |
| 7POS. CAVITY BLOCK, CODE, "V" | PBT-GF30 / V-0 | PBT-GF30 / V-0 | PBT-GF30 / V-0 | PBT-GF30 / V-0 | PBT-GF30 / V-0 | PBT-GF30 / V-0 | MVO   |              | 5    |
| 7POS. CAVITY BLOCK, CODE, "W" | PBT-GF30 / V-0 | PBT-GF30 / V-0 | PBT-GF30 / V-0 | PBT-GF30 / V-0 | PBT-GF30 / V-0 | PBT-GF30 / V-0 | MVO   |              | 5    |
| 7POS. CAVITY BLOCK, CODE, "X" | PBT-GF30 / V-0 | PBT-GF30 / V-0 | PBT-GF30 / V-0 | PBT-GF30 / V-0 | PBT-GF30 / V-0 | PBT-GF30 / V-0 | MVO   |              | 5    |
| 7POS. CAVITY BLOCK, CODE, "Y" | PBT-GF30 / V-0 | PBT-GF30 / V-0 | PBT-GF30 / V-0 | PBT-GF30 / V-0 | PBT-GF30 / V-0 | PBT-GF30 / V-0 | MVO   |              | 5    |
| 7POS. CAVITY BLOCK, CODE, "Z" | PBT-GF30 / V-0 | PBT-GF30 / V-0 | PBT-GF30 / V-0 | PBT-GF30 / V-0 | PBT-GF30 / V-0 | PBT-GF30 / V-0 | MVO   |              | 5    |

THIS DRAWING IS A CONTROLLED DOCUMENT.  
 DIESER ZEICHNUNGSDRUCK IST EIN KONTROLLIERTES DOKUMENT.  
 ANWENDUNG: DIESE ZEICHNUNG BEZUGNEHMEN SIE AUF DIE ZEICHNUNG  
 DER ZUSÄTZLICHEN ANFORDERUNGEN FÜR DIE VERFAHREN  
 DER ZUSÄTZLICHEN ANFORDERUNGEN FÜR DIE VERFAHREN

OWNER: D. Bischoff 13APR2006  
 CHK: J. Grandow 25APR2006  
 NAME: E. Eberwein 28AUG2006

TE Connectivity

7POS. AMP MCP 2.8/1.5K, REC HSG. ASSY  
 7pos. AMP MCP 2.8/1.5K, Buchsengehäuse  
 HDSCS - GROUP C

SIZE: A1  
 CAGE CODE: 00779  
 DRAWING NO: 1418480

RESTRICTED TO  
 NUR FÜR

WEIGHT: 18.2g  
 SCALE: 2:1  
 SHEET: 1 OF 1  
 REV: J2

## X-ON Electronics

Largest Supplier of Electrical and Electronic Components

*Click to view similar products for [Automotive Connectors](#) category:*

*Click to view products by [TE Connectivity](#) manufacturer:*

Other Similar products are found below :

[003-018-000](#) [60403001](#) [60993906-B](#) [M902-2131](#) [M902-2161](#) [72.330.1035.1](#) [73.353.4028.0](#) [F119300-B](#) [F166900](#) [F258300-B](#) [F358300-B](#)  
[F407400](#) [F444110](#) [F487000](#) [F509500B-B](#) [827153-1](#) [8N1515-32-24P](#) [9-1326729-8](#) [925474-1](#) [928905-1](#) [964562-4](#) [968782-1](#) [GT17SA-8DS-](#)  
[HU](#) [98891-1012](#) [98947-1016](#) [12004147](#) [12004475-L](#) [12010290](#) [12010309-B](#) [12015454](#) [12020219-B](#) [12020308](#) [12041318-B](#) [12052225-L](#)  
[12052466](#) [12059125](#) [12064869](#) [12004327-B](#) [12010503-B](#) [12015308](#) [12015384](#) [12015909](#) [1-21030-1](#) [12041254](#) [12041318](#) [12047946-B](#)  
[12047957](#) [12047957-L](#) [12059473](#) [12066261](#)