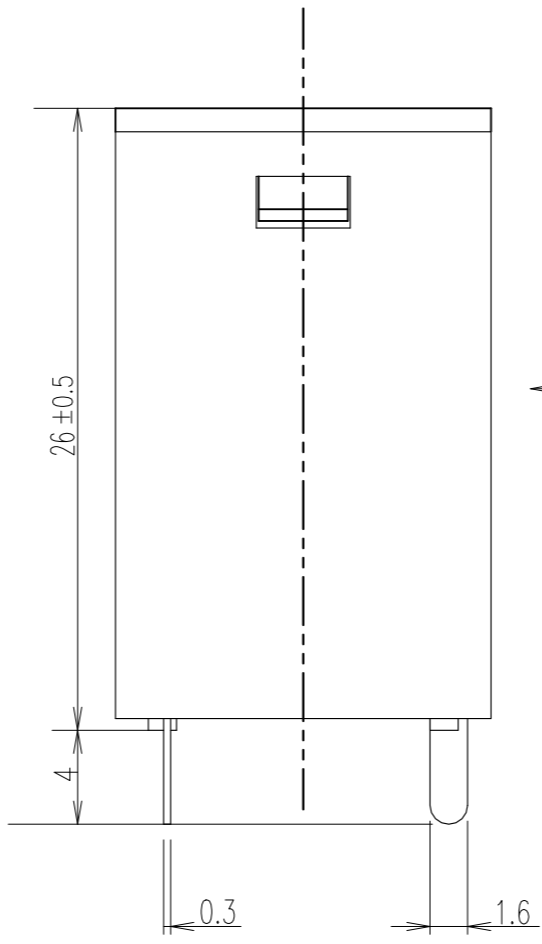
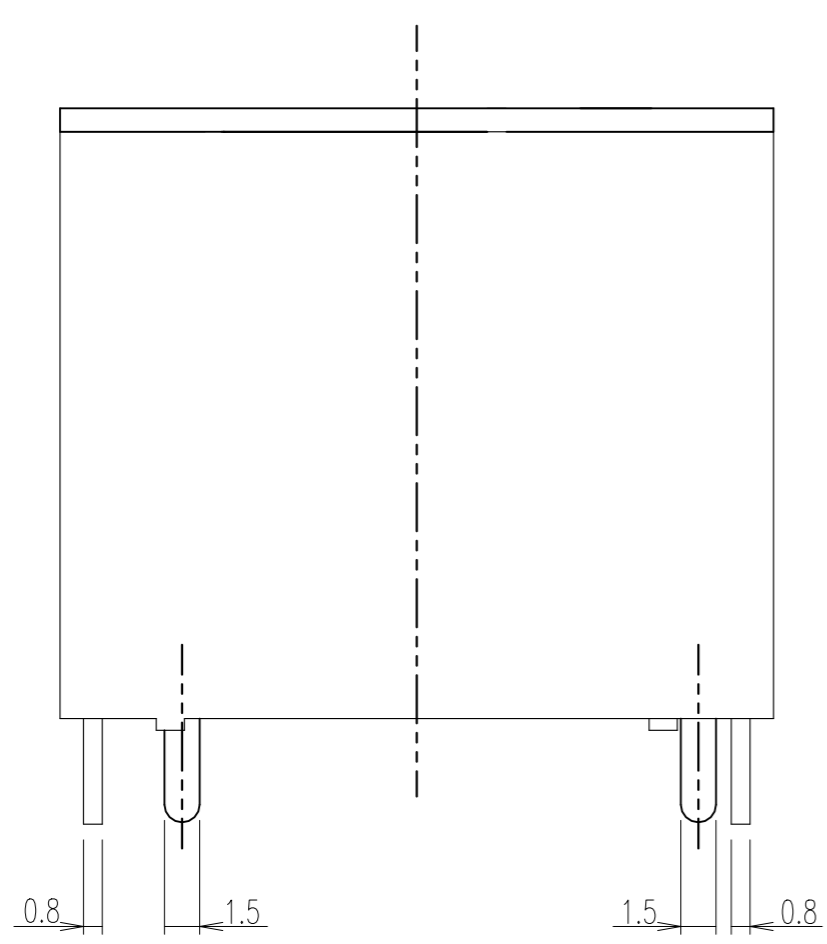
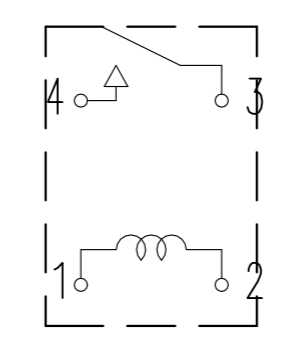


THIS DRAWING IS UNPUBLISHED. RELEASED FOR PUBLICATION
 © COPYRIGHT - By - ALL RIGHTS RESERVED.

| LOC | DIST | REVISIONS | | | | |
|-----|------|-------------|--|-----------|------|-----|
| P | LTR | DESCRIPTION | DATE | DWN | APVD | |
| HB | - | C | CHANGE TE LOGO; TERMINALS TOLERANCE CLARIFICATION; ECO-18-008295 | 30-MAY-18 | TOD | K.T |
| | | D | UPDATE ERROR ECN-21-110436 | 13-JUL-21 | ZX.F | K.T |

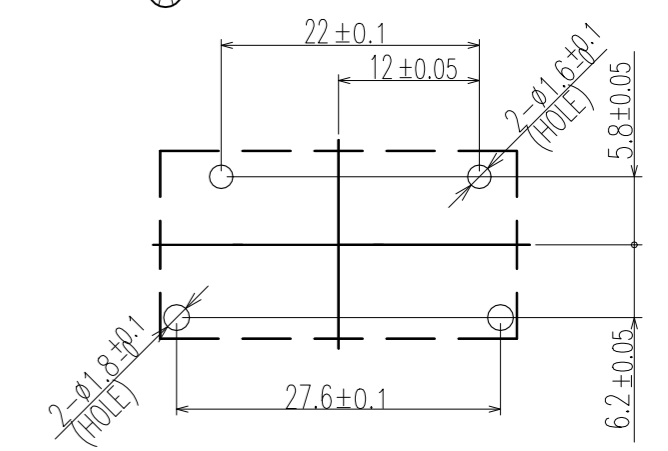


CONNECTION DIAGRAM

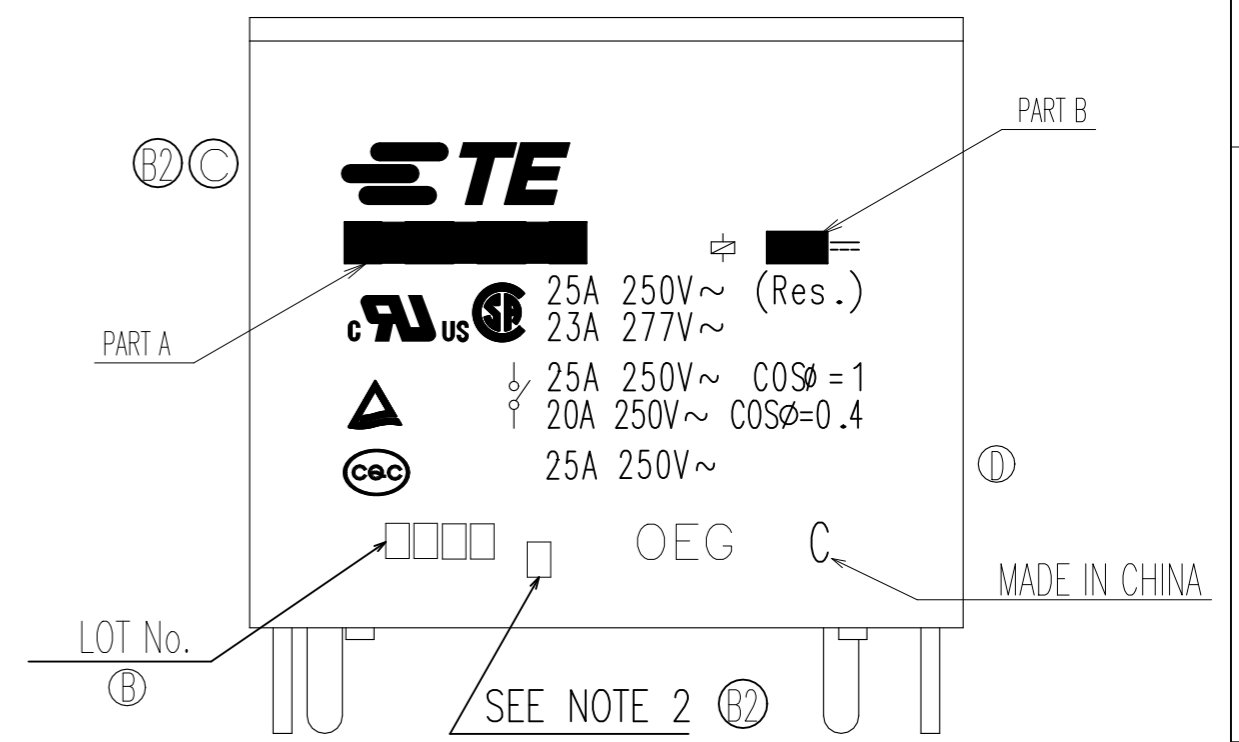
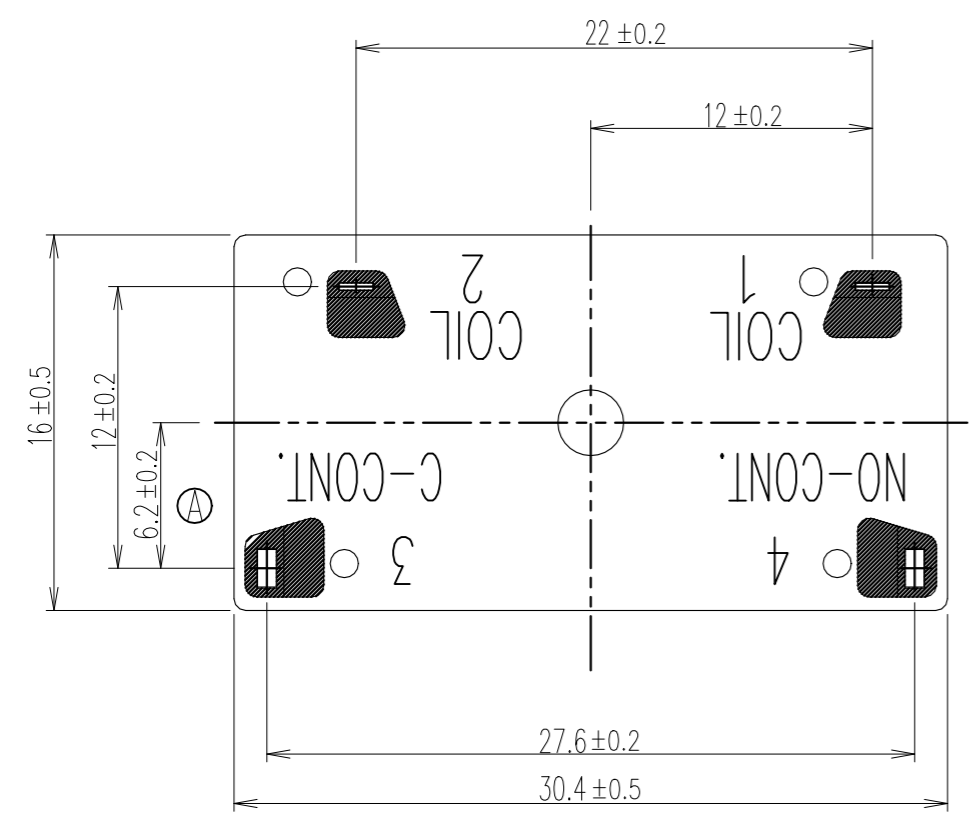


VIEW C

DRILLING DIAGRAM (BOTTOM VIEW)



| DIAGRAM DIMENSION | TOLERANCE |
|-------------------|-----------|
| 0.99mm MAX. | ±0.1mm |
| 1 - 2.99mm | ±0.2mm |
| 3mm MIN. | ±0.3mm |



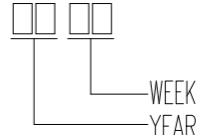
| | | | | | |
|--|--|-----------------------|---------------------------|-----------|------------|
| THIS DRAWING IS A CONTROLLED DOCUMENT. | | DWN H.SASAKI | TE TE Connectivity | | |
| | | CHK Y.OIKAWA | | | |
| DIMENSIONS: mm | | APVD A.NAGAI | NAME | | |
| TOLERANCES UNLESS OTHERWISE SPECIFIED: | | PRODUCT SPEC - | PCFN-D2M SPEC,000 | | |
| 0 PLC ± - | | APPLICATION SPEC - | SIZE | CAGE CODE | DRAWING NO |
| 1 PLC ± - | | WEIGHT - | A3 | 00779 | C-1461193 |
| 2 PLC ± - | | RESTRICTED TO | | | |
| 3 PLC ± - | | - | | | |
| 4 PLC ± - | | SCALE 3:1 | | | |
| ANGLES ± - | | SHEET 1 OF 2 | | | |
| FINISH | | REV D | | | |
| - | | CUSTOMER DRAWING | | | |

THIS DRAWING IS UNPUBLISHED. RELEASED FOR PUBLICATION
 © COPYRIGHT - By - ALL RIGHTS RESERVED.

| LOC | DIST | REVISIONS | | | | | |
|-----|------|-----------|-----|-------------|------|-----|------|
| HB | - | P | LTR | DESCRIPTION | DATE | DWN | APVD |
| | | - | | SEE SHEET 1 | - | - | - |

| | | | | | | |
|---|-----------|-------------|-----------------|--------|-------------|------|
| ⓑ | ACTIVE | 3-1419153-5 | PCFN-112D2M,000 | 12V | PCFN-112D2M | k |
| | OBSOLETE | 1-1440008-8 | PCFN-105D2M,000 | 5V | PCFN-105D2M | j |
| | ACTIVE | 1461193-9 | PCFN-124D2M,000 | 24V | PCFN-124D2M | i |
| | ACTIVE | 1461193-8 | PCFN-118D2M,000 | 18V | PCFN-118D2M | h |
| | ACTIVE | 1461193-7 | PCFN-109D2M,000 | 9V | PCFN-109D2M | g |
| | ACTIVE | 1461193-6 | PCFN-106D2M,000 | 6V | PCFN-106D2M | f |
| | ACTIVE | 1461193-5 | PCFN-148D2M,000 | 48V | PCFN-148D2M | e |
| ⓐ | OBSOLETE | 1461193-4 | PCFN-124D2M,000 | 24V | PCFN-124D2M | d |
| ⓑ | OBSOLETE | 1461193-3 | PCFN-118D2M,000 | 18V | PCFN-118D2M | c |
| ⓒ | OBSOLETE | 1461193-2 | PCFN-109D2M,000 | 9V | PCFN-109D2M | b |
| ⓓ | OBSOLETE | 1461193-1 | PCFN-106D2M,000 | 6V | PCFN-106D2M | a |
| | PN STATUS | PART NO | DESCRIPTION | PART B | PART A | ITEM |

RELAY TYPE

- NOTE:
- ⓑ 1. LOT NO SYSTEM AS FOLLOWING:

 - ⓑ 2. ONE CHARACTER DISTINGUISH THE LINE IDENTITY, SUCH AS: A, B...
 - ⓑ 3. TERMINAL DIMENSION IS BEFORE SOLDER DIP.
 - ⓑ 4. FOR THE TIN-PLATING OF THE PINS:
 +0.1mm FOR WIDTH, THICKNESS AND DIAMETER.
 +0.5mm FOR LENGTH.

| | | | | | |
|----------|------------------|----------------------|---------------------|-------------|------|
| | | EPOXY RESIN | SEAL | 17 | |
| | | POLYURETHANE Cu WIRE | MAGNETIC WIRE | 16 | |
| UL 94V-0 | | PPS | CARD | 15 | |
| UL 94V-0 | | PBT | CASE | 14 | |
| UL 94V-0 | | PBT | BASE | 13 | |
| UL 94V-0 | | PBT | BOBBIN | 12 | |
| | SOLDER DIP | Cu ALLOY | COIL TERMINAL R | 11 | |
| | SOLDER DIP | Cu ALLOY | COIL TERMINAL L | 10 | |
| | | STAINLESS | HINGE SPRING | 9 | |
| | | Ag ALLOY | STATIONARY CONTACT | 8 | |
| | | Ag ALLOY | MOVABLE CONTACT | 7 | |
| | SOLDER DIP | Cu ALLOY | MOVABLE SPRING | 6 | |
| | SOLDER DIP | Cu ALLOY | STATIONARY TERMINAL | 5 | |
| | SOLDER DIP | Cu ALLOY | MOVABLE TERMINAL | 4 | |
| | Ni PLATED | STEEL | CORE | 3 | |
| | Ni PLATED | STEEL | ARMATURE | 2 | |
| | Ni PLATED | STEEL | YOKE | 1 | |
| | INCOMBUSTIBILITY | TREATMENT | MATERIAL | DESCRIPTION | ITEM |

| | | | | | | | | | | | | | | | | | |
|--|-----|-----------------|----------------------------|-----------|------------|-------|-----|-------|-----|-------|-----|--------|-----|------------------|---------------|--|--|
| THIS DRAWING IS A CONTROLLED DOCUMENT. | | DWN H.SASAKI | STE TE Connectivity | | | | | | | | | | | | | | |
| | | CHK Y.OIKAWA | | | | | | | | | | | | | | | |
| DIMENSIONS: mm | | APVD A.NAGAI | NAME | | | | | | | | | | | | | | |
| TOLERANCES UNLESS OTHERWISE SPECIFIED: | | PRODUCT SPEC | PCFN-D2M SPEC,000 | | | | | | | | | | | | | | |
| <table border="0"> <tr><td>0 PLC</td><td>± -</td></tr> <tr><td>1 PLC</td><td>± -</td></tr> <tr><td>2 PLC</td><td>± -</td></tr> <tr><td>3 PLC</td><td>± -</td></tr> <tr><td>4 PLC</td><td>± -</td></tr> <tr><td>ANGLES</td><td>± -</td></tr> </table> | | 0 PLC | ± - | 1 PLC | ± - | 2 PLC | ± - | 3 PLC | ± - | 4 PLC | ± - | ANGLES | ± - | APPLICATION SPEC | RESTRICTED TO | | |
| 0 PLC | ± - | | | | | | | | | | | | | | | | |
| 1 PLC | ± - | | | | | | | | | | | | | | | | |
| 2 PLC | ± - | | | | | | | | | | | | | | | | |
| 3 PLC | ± - | | | | | | | | | | | | | | | | |
| 4 PLC | ± - | | | | | | | | | | | | | | | | |
| ANGLES | ± - | | | | | | | | | | | | | | | | |
| MATERIAL | | WEIGHT | SIZE | CAGE CODE | DRAWING NO | | | | | | | | | | | | |
| | | - | A3 | 00779 | C-1461193 | | | | | | | | | | | | |
| | | | CUSTOMER DRAWING | | SCALE 3:1 | | | | | | | | | | | | |
| | | | SHEET 2 OF 2 | | REV D | | | | | | | | | | | | |

X-ON Electronics

Largest Supplier of Electrical and Electronic Components

Click to view similar products for [General Purpose Relays](#) category:

Click to view products by [TE Connectivity](#) manufacturer:

Other Similar products are found below :

[PCN-105D3MH,000](#) [59641F200](#) [5JO-1000CD-SIL](#) [LY1SAC110120](#) [5X827E](#) [5X837F](#) [5X840F](#) [5X842F](#) [5X848E](#) [LY2N-AC120](#) [LY2S-AC220/240](#) [LY2-US-AC120](#) [LY3-US-AC120](#) [LY4F-UA-DC12](#) [LY4F-UA-DC24](#) [LY4F-US-AC120](#) [LY4F-US-AC240](#) [LY4F-US-DC24](#) [LY4F-VD-AC110](#) [LYQ20DC12](#) [M115C60](#) [M115N010](#) [M115N0150](#) [6031007G](#) [603-12D](#) [61211T0B4](#) [61212T400](#) [61222Q400](#) [61243B600](#) [61243C500](#) [61243Q400](#) [61311BOA2](#) [61311BOA6](#) [61311BOA8](#) [61311C0A2](#) [61311COA1](#) [61311COA6](#) [61311F0A2](#) [61311QOA1](#) [61311QOA4](#) [61311T0D6](#) [61311TOA6](#) [61311TOA7](#) [61311TOB3](#) [61311TOB4](#) [61311U0A6](#) [61312Q600](#) [61312T400](#) [61312T600](#) [61313U200](#)