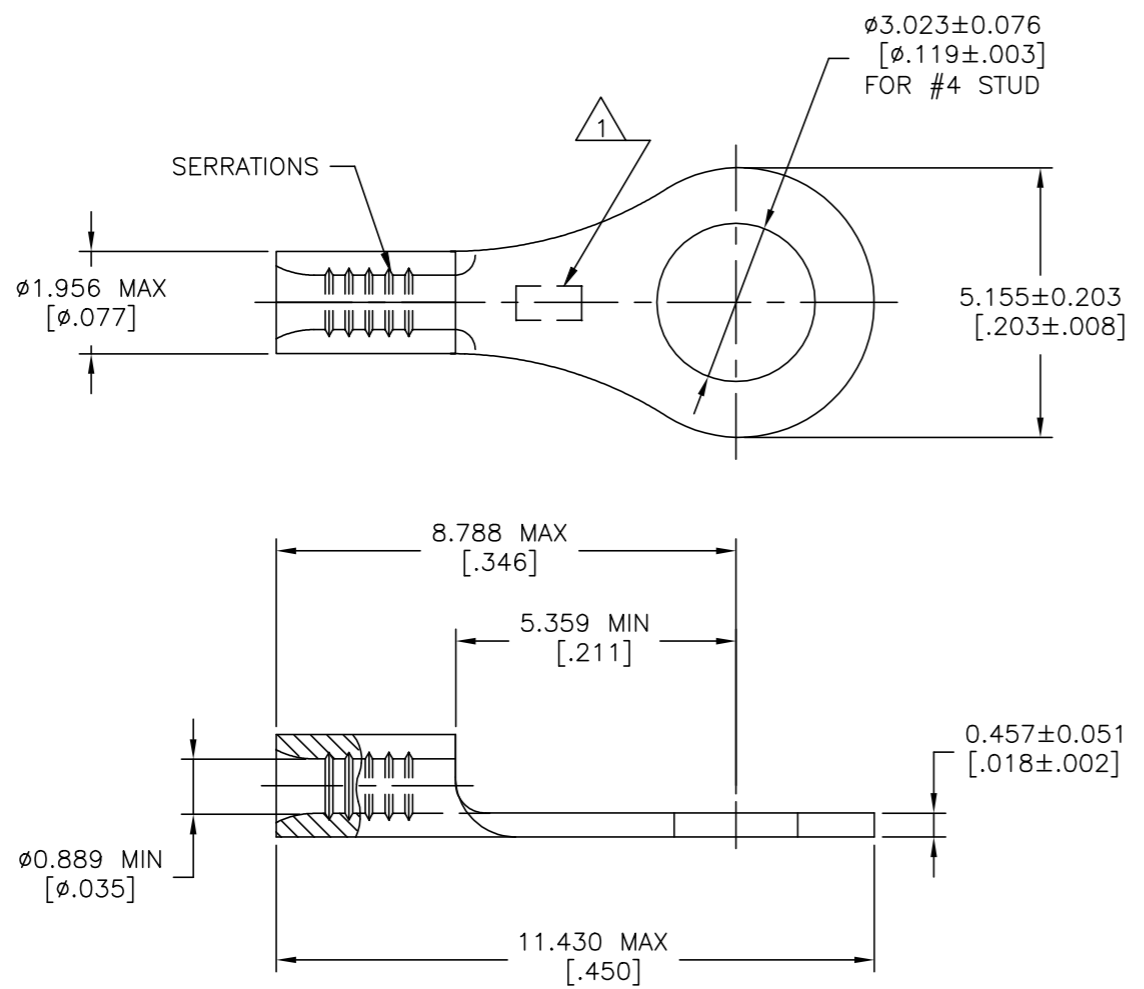


THIS DRAWING IS UNPUBLISHED. RELEASED FOR PUBLICATION
 © COPYRIGHT - By - ALL RIGHTS RESERVED.

| REVISIONS | | | | |
|-----------|-----|---------------------------|-----------|--------|
| P | LTR | DESCRIPTION | DATE | APVD |
| D2 | | REVISED PER ECO-11-010839 | 25MAY11 | RK HMR |
| D3 | | REVISED PER ECO-18-002614 | 28FEB2018 | RS DR |
| D4 | | REVISED PER ECO-19-015407 | 22OCT2019 | RS DR |

AMP
 WIRE RANGE
 26-22 AWG
 STRANDED



- 1 STAMP AMP APPROX AS SHOWN
- 2 CLEANED, UNPLATED
- 3 TIN PLATE 0.00254[.000100]
MIN EXT THK PER ASTM B545

| | | | |
|------|--------------|--------|---------|
| 5000 | TAPE & REEL | 3 | 31428-2 |
| 1000 | LOOSE PIECE | 2 | 31428-1 |
| 1000 | LOOSE PIECE | 3 | 31428 |
| QTY | PACKAGE TYPE | FINISH | PART NO |

| | | |
|--|--|---|
| AMP INCORPORATED CUSTOMER SERVICE SYSTEMS | | MAX RECOMMENDED OPERATING TEMPERATURE: 170° C [338°F] MAX |
| FOR ADDITIONAL PRODUCT INFORMATION OR COPIES OF DRAWINGS AND TECHNICAL DOCUMENTS | PRODUCT INFORMATION CENTER 1-800-522-6752 | VOLTAGE RATING: NOT APPLICABLE |
| FOR APPLICATION TOOLING INFORMATION | TOOLING ASSISTANCE CENTER 1-800-722-1111 | WIRE CROSS SECTIONAL AREA RANGE: 0.1-0.41mm ² [202-810] CIR MILS STRANDED |
| FOR ORDER ENTRY | 1-800-526-5142 | |

| | | | | |
|---|--|-------------------------------|----------------------------------|--------------------|
| THIS DRAWING IS A CONTROLLED DOCUMENT. | | DWN TA BRINKMAN 2-2-93 | TE Connectivity Ltd. | |
| DIMENSIONS: mm [INCHES] | | CHK DA PATTERSON 2-2-93 | NAME DE MILLER | |
| TOLERANCES UNLESS OTHERWISE SPECIFIED: 0 PLC ± - 1 PLC ± - 2 PLC ± - 3 PLC ± 0.127[.005] 4 PLC ± - ANGLES ± - | | APVD DE MILLER 2-2-93 | PRODUCT SPEC APPLICATION SPEC | |
| MATERIAL COPPER PER ASTM B-152 ANNEALED | | FINISH -3 | WEIGHT A2 00779 C=31428 | |
| | | CUSTOMER DRAWING | | RESTRICTED TO - |
| | | SCALE 10:1 | SHEET 1 OF 1 | REV D4 |

X-ON Electronics

Largest Supplier of Electrical and Electronic Components

Click to view similar products for [Terminals](#) category:

Click to view products by [TE Connectivity](#) manufacturer:

Other Similar products are found below :

[00-054007-01074-6](#) [00-054007-70206-1](#) [00-054007-70210-8](#) [00-054007-70217-7](#) [00-054007-70226-9](#) [00-054007-70228-3](#) [00-054007-70248-1](#) [00-054007-70256-6](#) [00-054007-70301-3](#) [00-054007-70316-7](#) [0-0320562-0](#) [00-054007-49560-4](#) [00-054007-70209-2](#) [00-054007-70225-2](#) [00-054007-70227-6](#) [00-054007-70231-3](#) [00-054007-70241-2](#) [00-054007-70242-9](#) [00-054007-70244-3](#) [00-054007-70246-7](#) [00-054007-70263-4](#) [00-054007-70288-7](#) [00-054007-70290-0](#) [00-054007-70300-6](#) [00-054007-70304-4](#) [01-2065-1-0216](#) [01-2900-1-04412](#) [00581P0075](#) [600TS-10](#) [60205-1](#) [604200-1](#) [605601-1](#) [60598-1-CUT-TAPE](#) [61314-6-C](#) [61810-3](#) [61-S](#) [61-SN](#) [626-0194](#) [62-NBM-A](#) [62-SN](#) [62-SP](#) [63-S](#) [640179-1](#) [M55155/059I03](#) [M55155/079C01](#) [M55155/099H02](#) [M55155/109H01](#) [M55155/109H02](#) [M55155/12XH05](#) [M55155/16XH02](#)