

THIS DRAWING IS UNPUBLISHED.

RELEASED FOR PUBLICATION

2008

© COPYRIGHT 2008

BY -

ALL RIGHTS RESERVED.

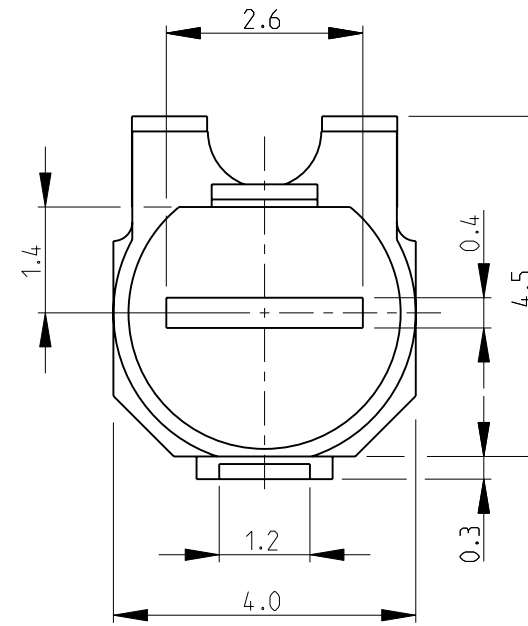
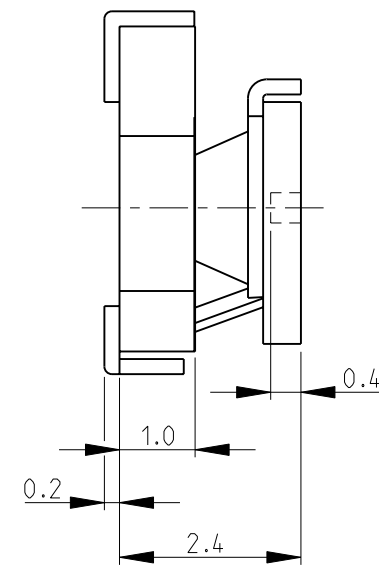
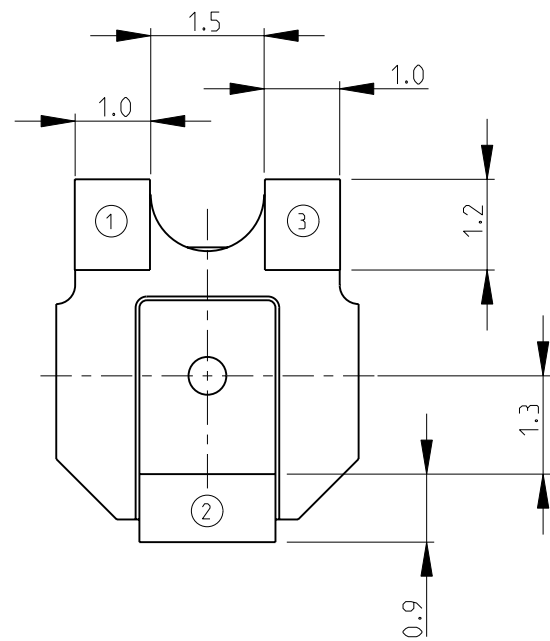
LOC
E

DIST
B

REVISIONS

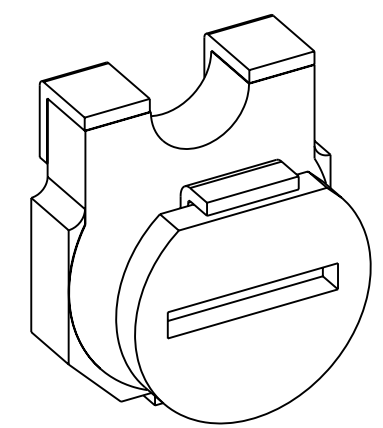
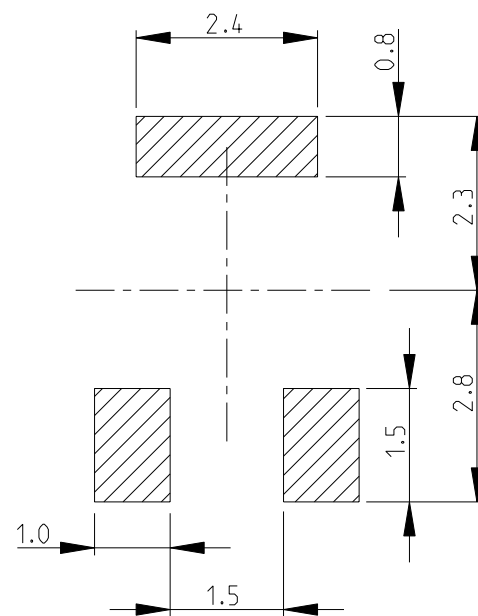
P	LTR	DESCRIPTION	DATE	DWN	APVD
A1		REVISED PER ECO-11-005150	29MAR2011	RK	HMR


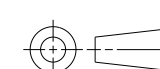
FOR FURTHER INFORMATION SEE DATA SHEET FOR
3142 SERIES-SMD ECONOMY TRIMMERS



RoHS Compliant

RECOMMENDED LAND PATTERN



THIS DRAWING IS A CONTROLLED DOCUMENT.		DWN SUBHASH.M	12-NOV-08	 TE Connectivity	
DIMENSIONS: mm		CHK PRAKASH.S	12-NOV-08		
		APVD STEPHEN.P	12-NOV-08		
TOLERANCES UNLESS OTHERWISE SPECIFIED:		PRODUCT SPEC		NAME SMD ECONOMY TRIMMERS SERIES 3142	
0 PLC ±0.2		APPLICATION SPEC		SIZE A3	
1 PLC ±0.1		WEIGHT		CAGE CODE 00779	
2 PLC ±		CUSTOMER DRAWING		DRAWING NO C=1623920	
3 PLC ±		SCALE 10:1		RESTRICTED TO	
4 PLC ±		SHEET 1 OF 1		REV A1	
ANGLES ±5°		FINISH			
MATERIAL					

X-ON Electronics

Largest Supplier of Electrical and Electronic Components

Click to view similar products for [Trimmer Resistors - SMD category](#):

Click to view products by [TE Connectivity manufacturer](#):

Other Similar products are found below :

[43WR5KLFTR](#) [5712-305-403E17](#) [TS3YJ503MR15](#) [TS4YL203MR10](#) [43WR100KLFTR](#) [G32AT-B101](#) [G32AT-B201](#) [G32AT-B501](#)
[G32AT-B503](#) [G32BT-B502](#) [G32BT-B503](#) [G43AT-B201](#) [G43AT-B203](#) [G43BT-B101](#) [G43SAT1-B101](#) [G43SAT1-B102](#) [G43SAT1-B201](#)
[G43SAT1-B202](#) [G43SAT1-B501](#) [G43SAT1-B502](#) [G43SAT1-B503](#) [PVG5A102C03R00](#) [PVG5A203C03R00](#) [35WR5KLFTR](#)
[35WR10KLFTR](#) [35WR1KLFTR](#) [CA6XVSMD-100KA2525](#) [CA6XVSMD-10KA2525](#) [CA6XVSMD-2K5A2525](#) [1806WSMD-1K](#)
[1806WSMD-5K](#) [1806PSMD-5K](#) [3214G-1-203E](#) [43WR10LFTR](#) [PVG5A202C03R00](#) [PVG5A502C03R00](#) [3314G-1-103E](#) [PVG3G103C01R00](#)
[PVG3A205C01R00](#) [PVG3A200C01R00](#) [PVG5H102C03B00](#) [3214W-1-103G](#) [3224W-2-101E](#) [3361S-1-200GLF](#) [3224W-2-201E](#) [3224W-1-](#)
[502G](#) [3224W-1-105G](#) [3214X-2-502E](#) [3214X-2-103E](#) [3214W-2-201E](#)