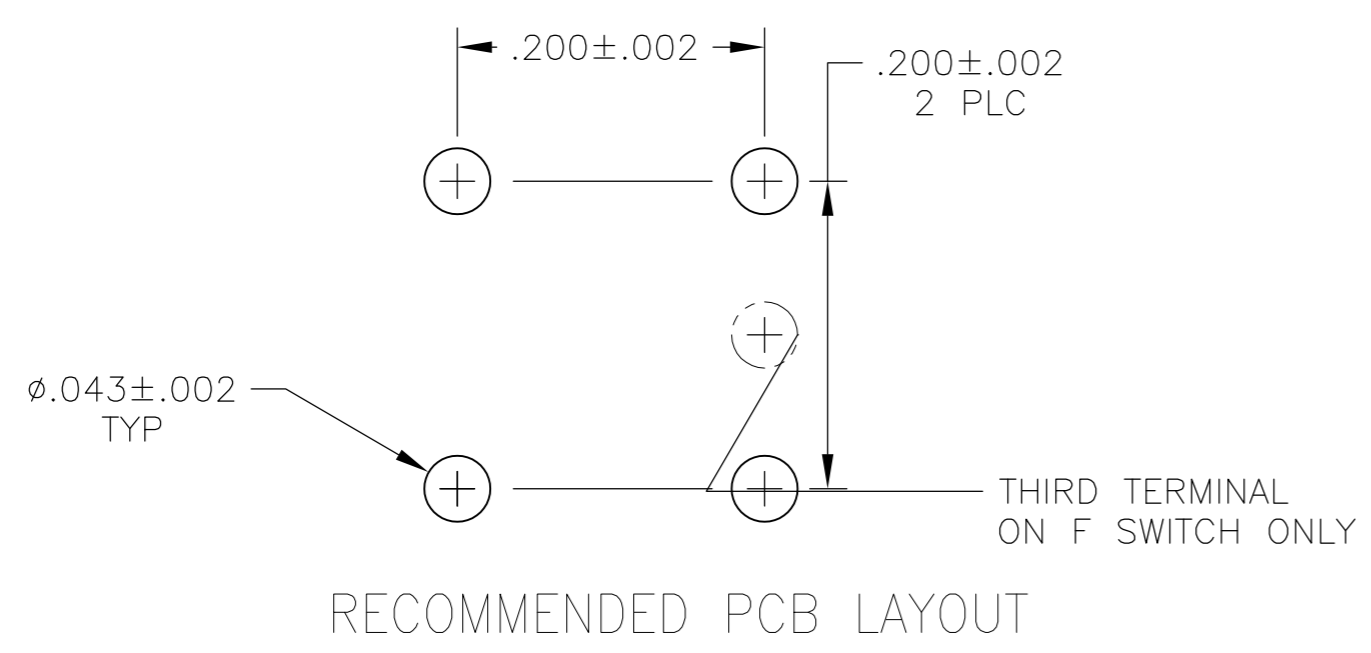
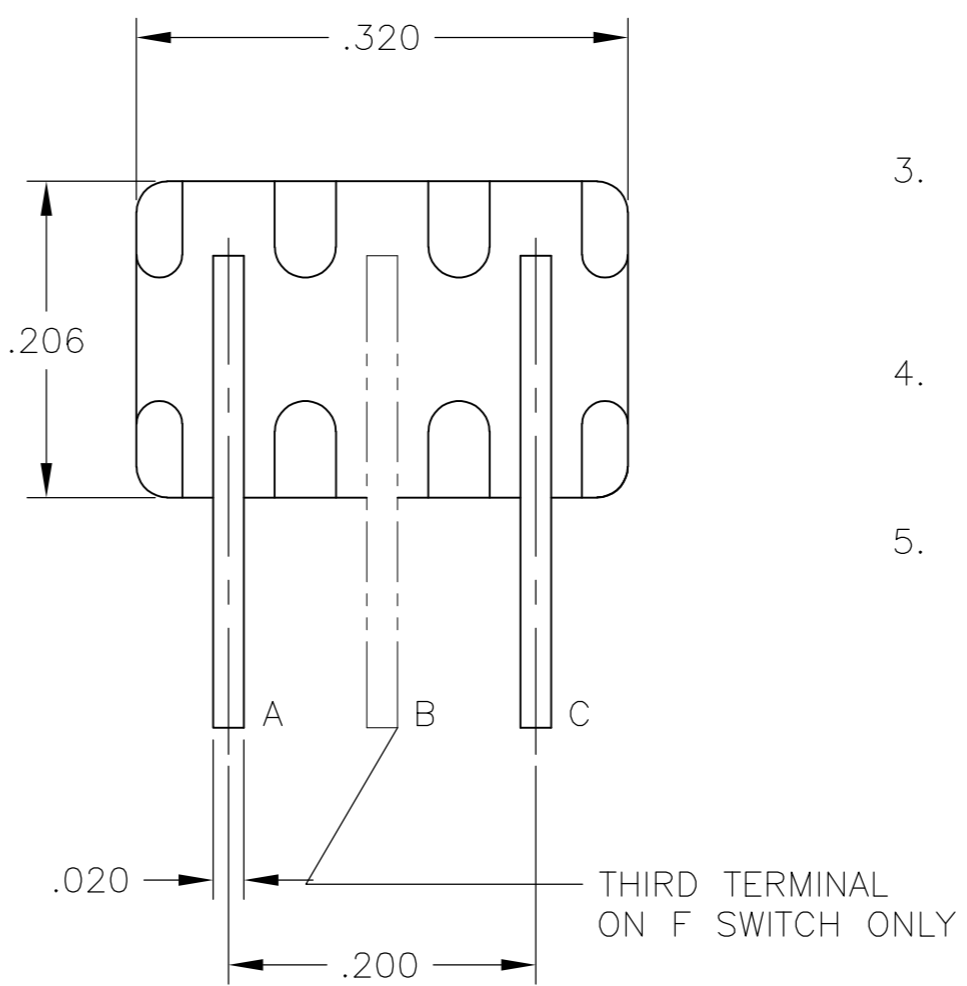
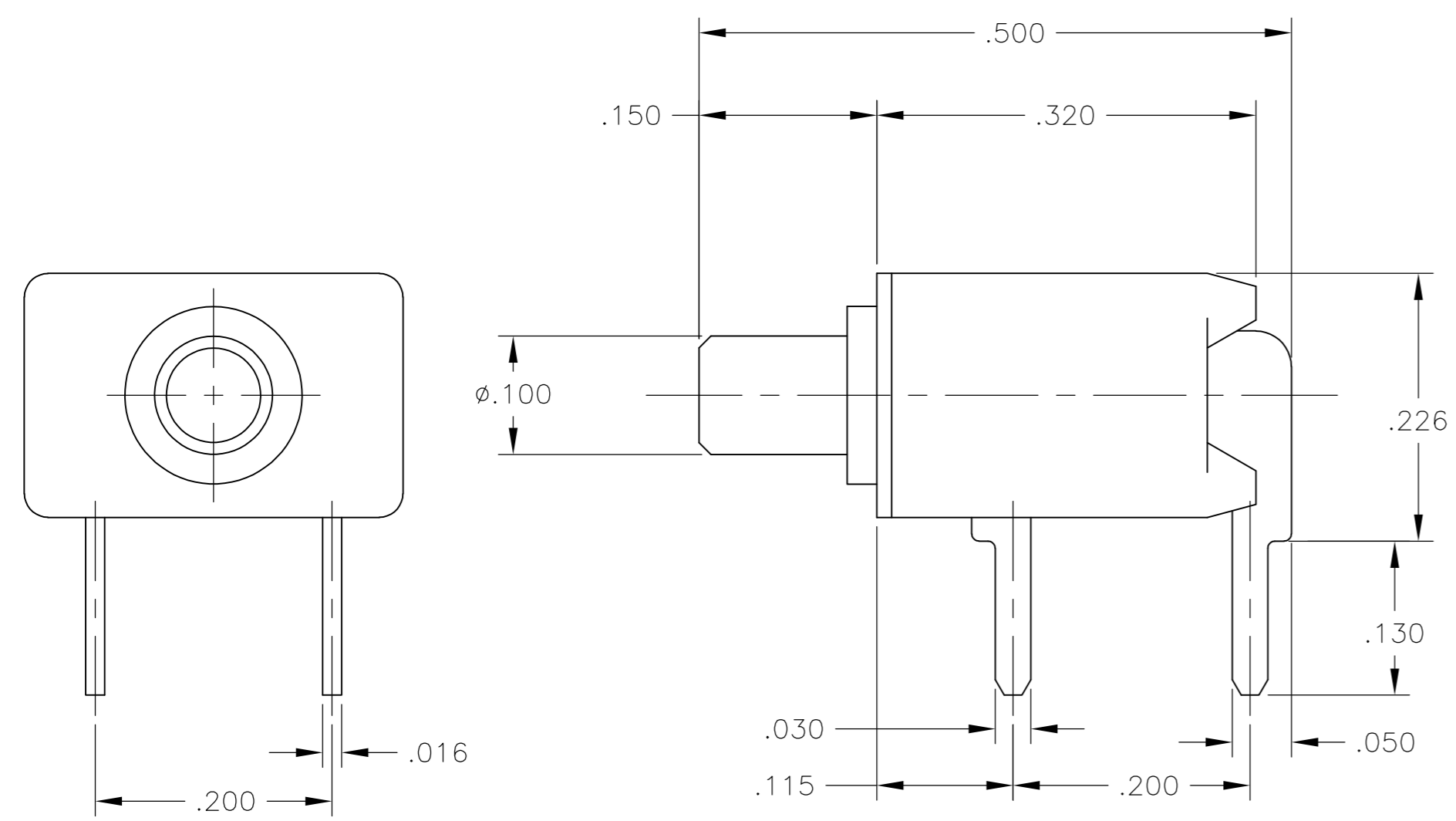


THIS DRAWING IS UNPUBLISHED. RELEASED FOR PUBLICATION  
 © COPYRIGHT - By - ALL RIGHTS RESERVED.

LOC	DIST	REVISIONS			
P	LTR	DESCRIPTION	DATE	DWN	APVD
AD	00	B1	REVISED PER ECO-11-005027	11MAR11	RK HMR

**NOTES:**

- MATERIALS:**  
 CASE: THERMOPLASTIC, UL94-V0.  
 ACTUATOR BUTTON: THERMOPLASTIC, COLORS: SEE CHART  
 MOVING CONTACT: COPPER ALLOY, GOLD PLATED  
 FIXED CONTACT: COPPER ALLOY, GOLD PLATED  
 TERMINALS: COPPER ALLOY, TIN-LEAD PLATED  
 TERMINAL SEAL: SP EPOXY
- ELECTRICAL:**  
 CONTACT RATING GOLD: 0.4 VA MAX @ 20 VDC OR PEAK AC  
 INITIAL CONTACT RESISTANCE: 20 MILLIOHMS MAX  
 INSULATION RESISTANCE: 1,000 MEGOHMS AT 500 VDC MIN.  
 DIELECTRIC STRENGTH: 1,000 VOLTS  
 LIFE EXPECTANCY: 1 POLE = 1000,000 CYCLES  
 2 POLES = 80,000 CYCLES.
- MECHANICAL:**  
 ACTUATION FORCE: SEE TABLE  
 ACTUATION TRAVEL: .030 APPROX.
- ENVIRONMENTAL:**  
 OPERATING TEMPERATURE: -22°F TO +149°F (-30°C TO +65°C)  
 STORAGE TEMPERATURE: -22°F TO +149°F (-30°C TO +65°C)
- INTERPRET DRAWING PER ASME Y14.5M-1984



12 oz [.34Kg]	BLUE	B TO C (MOM.)	B TO A	SPDT MOMENTARY	TPA11FGRA6	3-1437571-9
12 oz [.34Kg]	RED	B TO C (MOM.)	B TO A	SPDT MOMENTARY	TPA11FGRA2	3-1437571-8
12 oz [.34Kg]	BLACK	B TO C (MOM.)	B TO A	SPDT MOMENTARY	TPA11FGRA0	3-1437571-6
9 oz [.26Kg]	BLUE	A TO C	NONE	SPST NORMALLY OPEN	TPA11CGRA6	3-1437571-1
9 oz [.26Kg]	RED	A TO C	NONE	SPST NORMALLY OPEN	TPA11CGRA2	3-1437571-0
9 oz [.26Kg]	BLACK	A TO C	NONE	SPST NORMALLY OPEN	TPA11CGRA0	2-1437571-9
ACTUATION FORCE	BUTTON COLOR	DEPRESSED BUTTON	FREE BUTTON	ACTION	AUGAT PART NUMBER	PART NUMBER

THIS DRAWING IS A CONTROLLED DOCUMENT.

DWN	M.BINNER	13DEC2001
CHK	M.ZITTO	04DEC01
APVD	M.ZITTO	04DEC01
PRODUCT SPEC		
APPLICATION SPEC		
WEIGHT	-	
CUSTOMER DRAWING		

**TE Connectivity**

NAME: TPA11CG/FG-RA, SWITCH, PUSH BUTTON

SIZE: A2 CAGE CODE: 00779 DRAWING NO: 2-1437571-9 RESTRICTED TO: -

SCALE: 8:1 SHEET: 1 of 1 REV: B1

## X-ON Electronics

Largest Supplier of Electrical and Electronic Components

*Click to view similar products for [Pushbutton Switches](#) category:*

*Click to view products by [TE Connectivity](#) manufacturer:*

Other Similar products are found below :

[8940K2012](#) [LW1L-M1C10V-A](#) [LW1L-M1C70-A](#) [LW2L-A1C20M-GD](#) [LW2L-M1C20M-A](#) [60324L](#) [M22-D-R-GB0/K11](#) [M7E-HRN2](#)  
[67021K512](#) [67081K512X](#) [701PB580](#) [7199K101](#) [810K12910](#) [810KSV30B](#) [MML21EA2ADK](#) [MML21KA3ABK](#) [MML23KA3AC05K-001](#)  
[MML23KW3AA01W](#) [8418K2](#) [8442K3](#) [8450K1](#) [860K11911T01A](#) [861901](#) [861K11911T01A07](#) [861K13810T00A14](#) [861K13911](#)  
[8646AB6X718UL](#) [8646ABUL](#) [9001KXRK](#) [907AYY100](#) [PMHD155A1](#) [9533CD4+U574+U4922](#) [95-414.000](#) [99-450.837](#) [99-453.837](#)  
[PV3H2B0NN-341](#) [1203MRA](#) [A22NZBGANGA](#) [A22NZBNANGA](#) [A22NZMPATRA](#) [A2PMA1X03EC56](#) [A3A-5123-02](#) [A3A-7140](#) [A3A-7310](#) [A3A-7340](#) [A3U-TMW-A2C-5M](#) [A595](#) [12037A2ULCSA](#) [ABD122N-B](#) [1211390004](#)