

4

3

2

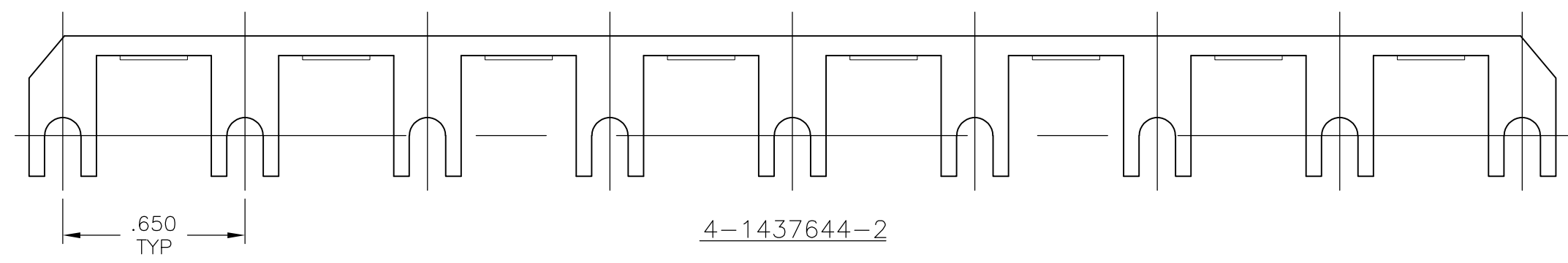
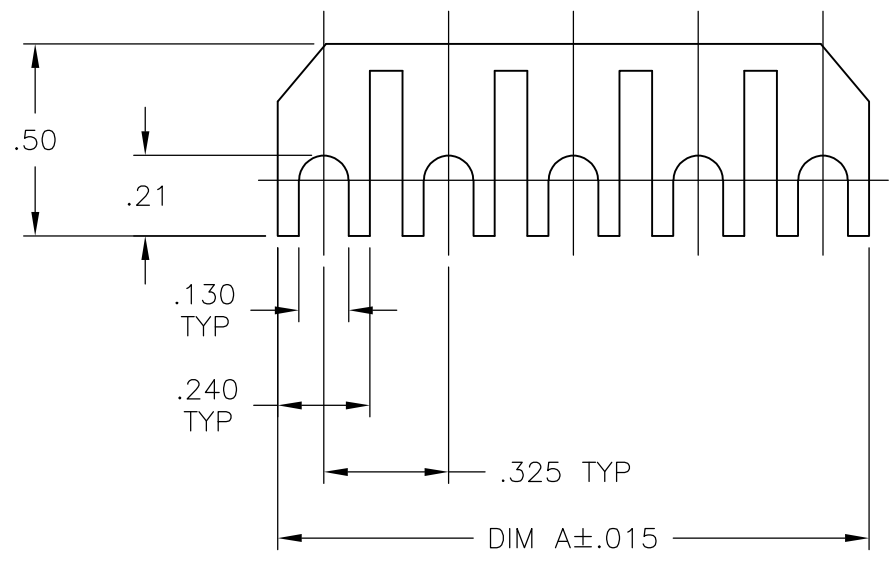
1

THIS DRAWING IS UNPUBLISHED. RELEASED FOR PUBLICATION
 © COPYRIGHT - By - ALL RIGHTS RESERVED.

LOC	DIST	REVISIONS			
P	LTR	DESCRIPTION	DATE	DWN	APVD
FT	0	A1	REVISED PER ECO-11-004820	11MAR11	RK HMR

NOTES:

- 1. .020 THK BRASS, TIN PLATED.
- 2. FOR USE WITH 4 SERIES AND 4DB BARRIER STRIPS.



SEE FIGURE	DIM A	CATALOG NO.	PART NUMBER
5.44	J4-9S	4-1437644-2	
2.84	J4-9	4-1437644-1	
1.54	J4-5	4-1437644-0	
1.22	J4-4	3-1437644-9	
.89	J4-3	3-1437644-8	
.57	J4-2	3-1437644-7	

THIS DRAWING IS A CONTROLLED DOCUMENT.		DWN S SCHLEGEL 3/29/05	STE TE Connectivity	
DIMENSIONS: INCHES		CHK S YODER 3/29/05		
TOLERANCES UNLESS OTHERWISE SPECIFIED:		APVD S YODER 3/29/05	NAME J4-XX	
0 PLC ± -		PRODUCT SPEC -	SIZE	
1 PLC ± -		APPLICATION SPEC -	CAGE CODE	
2 PLC ± .02		WEIGHT -	DRAWING NO	
3 PLC ± .010		CUSTOMER DRAWING	RESTRICTED TO	
4 PLC ± -			SCALE 2:1	
ANGLES ± -		SHEET 1 OF 1		REV A1
MATERIAL - 1		FINISH -		

X-ON Electronics

Largest Supplier of Electrical and Electronic Components

Click to view similar products for [Terminal Block Tools & Accessories](#) category:

Click to view products by [TE Connectivity](#) manufacturer:

Other Similar products are found below :

[00171430102](#) [00171420102](#) [600HL](#) [600RJ-07](#) [600RJ-11](#) [600RJ-14](#) [600RJS-10](#) [600RJS-12](#) [600RJS-15](#) [600RJS-21](#) [601RJ-09](#) [602SP](#) [602Z](#)
[604J](#) [CSTSPC1-2](#) [7B941-7](#) [88943-2100](#) [QC102](#) [1437403-6](#) [1437403-9](#) [1437403-8](#) [1453128-1](#) [147832-1](#) [EC0037-000](#) [MT2/H--](#) [MT6/H-N](#)
[MT6/V-GRND](#) [MT8/H-51-60](#) [BC2-12](#) [BCC-1-8/10](#) [EP2.5/4UN/BG](#) [1707755](#) [1735590](#) [1755480](#) [1789281](#) [1840227](#) [1840230](#) [2-1437402-1](#)
[JA2-03](#) [JB1-03/J](#) [JB2-04](#) [JB2-05](#) [JB2-07](#) [JB2-09/J](#) [PARALLELJUMPERLINK](#) [JS601](#) [2204082](#) [2302463](#) [2305949](#) [8PCV-BUSHING](#)