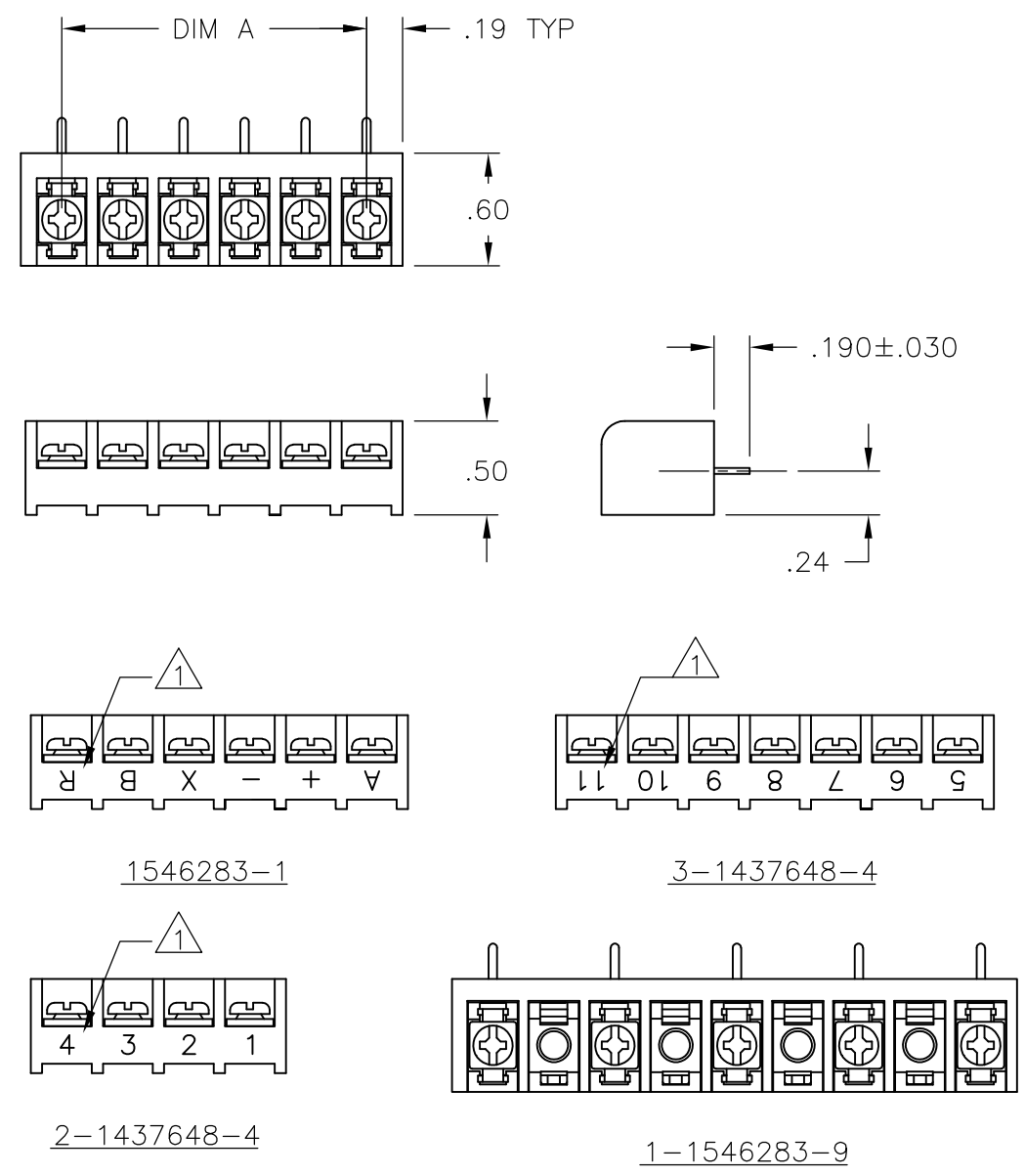


THIS DRAWING IS UNPUBLISHED. RELEASED FOR PUBLICATION
 © COPYRIGHT - By - ALL RIGHTS RESERVED.

| | | | | | | | |
|-----|------|-----------|-----|---------------------------|---------|-----|------|
| LOC | DIST | REVISIONS | | | | | |
| FT | 0 | P | LTR | DESCRIPTION | DATE | DWN | APVD |
| | | | C1 | REVISED PER ECO-11-004917 | 11MAR11 | RK | HMR |

- ① MARKED USING WHITE INK AS SHOWN.
- ② SCREWS BOTTOMED.
- ③ OBSOLETE PARTS: OBSOLETE CIS STREAMLINING PER D.RENAUD/D.SINISI



| | | | | | |
|----|-----------|-----------|----------------|-------------|------------------------|
| | 8.775 | 28 | 4PCR-28-006 | 1546279-1 | |
| | 8.450 | 27 | 4PCR-27-006 | 1-1546283-6 | |
| | 8.125 | 26 | 4PCR-26-006 | 1-1546283-5 | |
| | 7.800 | 25 | 4PCR-25-006 | 1-1546283-4 | |
| | 7.475 | 24 | 4PCR-24-006 | 9-1546119-1 | |
| | 7.150 | 23 | 4PCR-23-006 | 4-1437648-9 | |
| | 6.825 | 22 | 4PCR-22-006 | 1-1546283-3 | |
| | 6.500 | 21 | 4PCR-21-006 | 1-1546283-2 | |
| | 6.175 | 20 | 4PCR-20-006 | 1-1546283-1 | |
| | 5.850 | 19 | 4PCR-19-006 | 1-1546283-0 | |
| | 5.525 | 18 | 4PCR-18-006 | 1546283-9 | |
| | 5.200 | 17 | 4PCR-17-006 | 4-1437648-8 | |
| | 4.875 | 16 | 4PCR-16-006 | 1546283-8 | |
| | 4.550 | 15 | 4PCR-15-006 | 1546283-7 | |
| | 4.225 | 14 | 4PCR-14-006 | 1546283-6 | |
| | 3.900 | 13 | 4PCR-13-006 | 1546283-5 | |
| | 3.575 | 12 | 4PCR-12-006 | 9-1546119-0 | |
| | 3.250 | 11 | 4PCR-11-006 | 1546283-4 | |
| | 2.925 | 10 | 4PCR-10-006 | 8-1546119-9 | |
| | 2.600 | 9 | 4PCR-05-526 | 1-1546283-9 | |
| ②③ | OBSOLETE | 2.600 | 9 | 4PCR-09-518 | 1546283-3 |
| | 2.600 | 9 | 4PCR-09-006 | 4-1437648-1 | |
| | 2.275 | 8 | 4PCR-08-006 | 3-1437648-8 | |
| ③ | OBSOLETE | 1.950 | 7 | 4PCR-07-444 | 3-1437648-4 |
| | 1.950 | 7 | 4PCR-07-006 | 8-1546119-8 | |
| ②③ | OBSOLETE | 1.625 | 6 | 4PCR-06-517 | 1546283-2 |
| | 1.625 | 6 | 4PCR-06-519 | 1546283-1 | |
| | 1.625 | 6 | 4PCR-06-006 | 3-1437648-1 | |
| | 1.300 | 5 | 4PCR-05-006 | 2-1437648-8 | |
| ③ | OBSOLETE | .975 | 4 | 4PCR-04-468 | 2-1437648-4 |
| | .975 | 4 | 4PCR-04-006 | 2-1437648-3 | |
| | .650 | 3 | 4PCR-03-006 | 2-1437648-0 | |
| | .325 | 2 | 4PCR-02-006 | 1-1437648-8 | |
| | DIM A REF | NO OF POS | CATALOG NUMBER | PART NO. | |

| | | | | | | | |
|---|--|--------------|------------|----------------------|----------------------------|---------------|---------------|
| THIS DRAWING IS A CONTROLLED DOCUMENT. | | DWN | S SCHLEGEL | 9/26/03 | STE TE Connectivity | | |
| DIMENSIONS: INCHES | | CHK | S. YODER | 9/26/03 | | | |
| TOLERANCES UNLESS OTHERWISE SPECIFIED: | | APVD | S. YODER | 9/26/03 | | | |
| 0 PLC ± - 1 PLC ± - 2 PLC ± .01 3 PLC ± .005 4 PLC ± - ANGLES ± 1° | | NAME | | 4PCR-XX-006 ASSEMBLY | | | |
| MATERIAL | | PRODUCT SPEC | | SIZE | CAGE CODE | DRAWING NO | RESTRICTED TO |
| - | | - | | A3 | 00779 | C-2-1437648-0 | - |
| CUSTOMER DRAWING | | | | SCALE | NTS | SHEET | 1 OF 2 |
| | | | | REV | C1 | | |

4

3

2


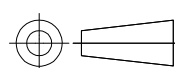
1

THIS DRAWING IS UNPUBLISHED. RELEASED FOR PUBLICATION - , - .

© COPYRIGHT - By - ALL RIGHTS RESERVED.

| | | | | | | | |
|-----|------|-----------|-----|-------------|------|-----|------|
| LOC | DIST | REVISIONS | | | | | |
| FT | 0 | P | LTR | DESCRIPTION | DATE | DWN | APVD |
| | | - | | SEE SHEET 1 | - | - | - |

| | | | |
|-----------------|-----------------|-------------------|-------------|
| 9.425 | 30 | 4PCR-30-006 | 1-1546283-8 |
| 9.100 | 29 | 4PCR-29-006 | 1-1546283-7 |
| DIM A REF | NO OF POS | CATALOG NUMBER | PART NO. |

| | | | | | | | |
|---|--|------------------|-------------|----------------------|--|---------------|---------------|
| THIS DRAWING IS A CONTROLLED DOCUMENT. | | DWN | S. SCHLEGEL | 9/26/03 |  TE Connectivity | | |
| DIMENSIONS: INCHES | | CHK | S. YODER | 9/26/03 | | | |
|  | | APVD | S. YODER | 9/26/03 | | | |
| TOLERANCES UNLESS OTHERWISE SPECIFIED: 0 PLC ± - 1 PLC ± - 2 PLC ± .01 3 PLC ± .005 4 PLC ± - ANGLES ± 1° | | PRODUCT SPEC | | NAME | | | |
| MATERIAL | | APPLICATION SPEC | | 4PCR-XX-006 ASSEMBLY | | | |
| FINISH | | WEIGHT | | SIZE | CAGE CODE | DRAWING NO | RESTRICTED TO |
| - | | - | | A3 | 00779 | C-2-1437648-0 | - |
| CUSTOMER DRAWING | | | | SCALE | NTS | SHEET | 2 OF 2 |
| | | | | REV | C1 | | |

X-ON Electronics

Largest Supplier of Electrical and Electronic Components

Click to view similar products for [Barrier Terminal Blocks](#) category:

Click to view products by [TE Connectivity](#) manufacturer:

Other Similar products are found below :

[6C1N03](#) [6PCR-02-008](#) [6PCR-05-008](#) [6PCR-08-008](#) [6PCR-21-006](#) [6PCV-06-008](#) [6PCV-10-009](#) [6PCV-15-008](#) [6STR-06-006](#) [6STR-08-006](#)
[6STR-12-008](#) [6STR-14-008](#) [6STR-16-008](#) [6STR-17-008](#) [6STR-21-008](#) [6STR-25-008](#) [6STR-27-008](#) [6STV-03-006](#) [6STV-03-008](#) [6STV-04-006](#) [6STV-10-006](#) [6WWR-03](#) [6WWV-12-008](#) [6WWV-16-008](#) [7-1546701-0](#) [72212603](#) [72503-C](#) [72504-C-50](#) [73203](#) [76007](#) [7604-501LF](#)
[77010-50](#) [796985-3](#) [796988-4](#) [7C1N08](#) [8-1437402-5](#) [8-1437402-7](#) [8-1546158-0](#) [870505](#) [870903](#) [8PCR-06-006](#) [8PCV-02-008](#) [8PCV-05-008](#)
[8PCV-09-006](#) [8PCV-15-006](#) [8PCV-17-006](#) [8QCR-03-008](#) [8STV-04-006](#) [9-1437402-3](#) [A103104](#)