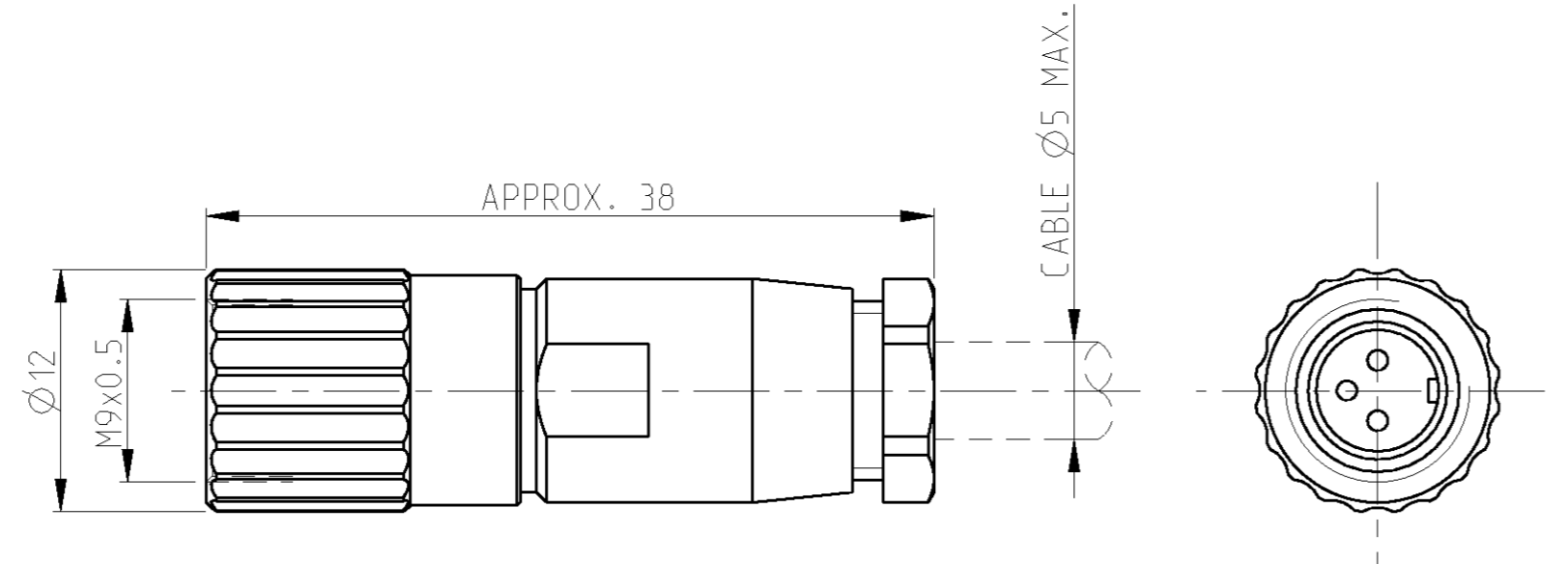
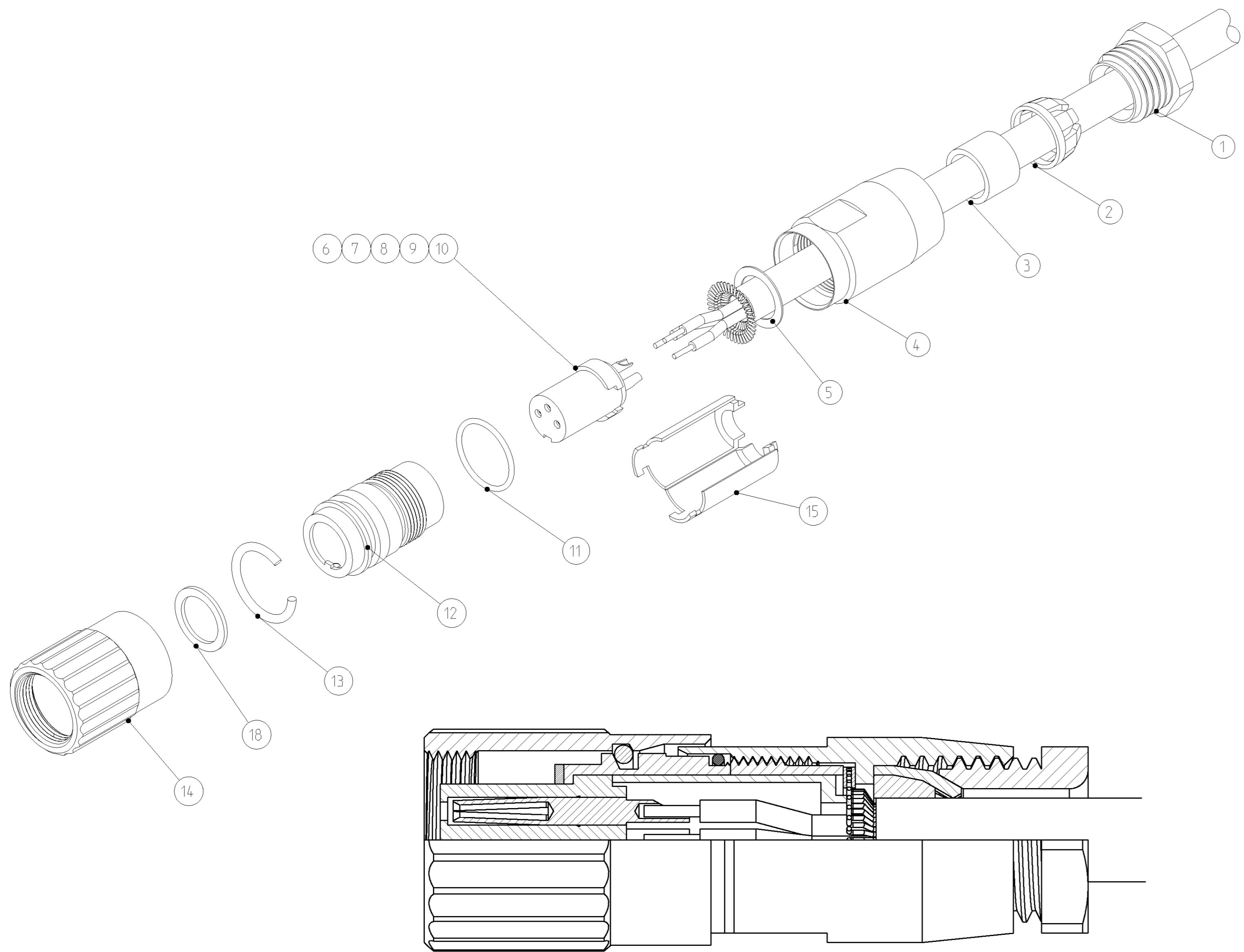
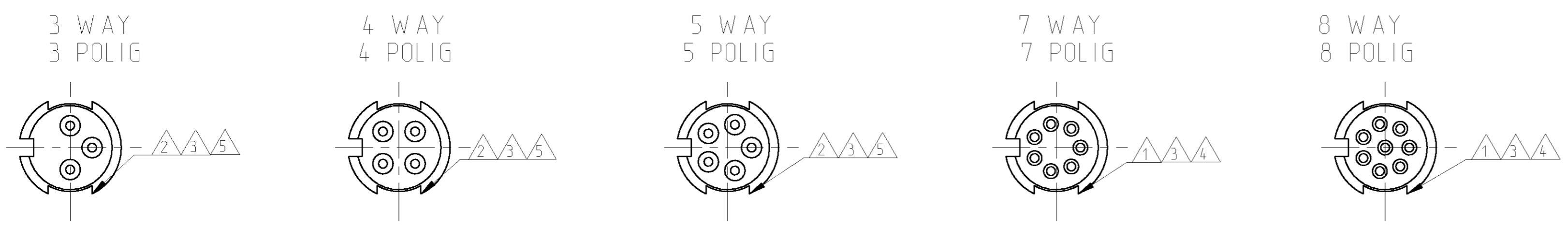


SOLDERING SIDE
 LOETSEITE



LOC	DIST	REV	DATE	BY	APPV
A1	-	1	18JUN2001	NG	GF
B1	-	1	23-FEB-04	EW	GF

MATERIAL / MATERIAL: PBT, UL-94 V2 SHELL MATERIAL / GEHAEUSEMATERIAL: CUZN FINISH / BESCHICHTUNG: TRIBOR 4 µm	△6
WIRE GAGE / DRAHTGROESSE IN mm ² : 0.25	△5
WIRE GAGE / DRAHTGROESSE IN mm ² : 0.14	△4
CONTACT RESISTANCE / KONTAKTWIDERSTAND: => 5 mΩ	△3
RATED CURRENT PER CONTACT / NENNSTROM PRO KONTAKT: 3 A	△2
RATED CURRENT PER CONTACT / NENNSTROM PRO KONTAKT: 1 A	△1
SHELL PROTECTION CLASS / SCHUTZKLASSE: IP 65 / DIN 40050	
TERMINATION: SOLDERING / VERBINDUNG: LOETKONTAKTE	
TEST VOLTAGE / PRUEFSPANNUNG: 500 VAC	
OPERATING VOLTAGE / BETRIEBSSPANNUNG: 60 VAC	
OPERATING TEMPERATURE: -40°C TO +80°C / ARBEITSTEMPERATUR: -40°C BIS +80°C	
MATING CYCLES / STECKZYKLEN: 500 MAX.	
TECHNICAL DATA TECHNISCHE DATEN	

TYCO NO. / TYCO-NR.	QTY REQD PER ASSY	DESCRIPTION BESCHREIBUNG	ITEM NO. POS.-NR.
4-1437719-2	1	MOUNTING WRENCH / MONTAGESCHLUESSEL	19
3-1437719-9	1	SEALING PAD / GUMMIDICHTUNG	18
3-1437719-6	1	COMPLETELY IN MINI-GRIP / KOMPLETT IN MINI-GRIP-BEUTEL: 70x100mm }	17
3-1437719-3	1	MOUNTING INSTRUCTION / MONTAGEANLEITUNG	16
3-1437719-0	1	INSULATION TUBE / ISOLIERHUELSE	15
	1	SCREWING TUBE / SCHRAUBHUELSE	14
	1	SPRING / FEDER	13
	1	TUBE / INNENHUELSE	12
	1	O-RING / O-RING	11
	1	CONTACT CARRIER 8 WAY/BUCHSENSTECKER 8 POLIG	10
	1	CONTACT CARRIER 7 WAY/BUCHSENSTECKER 7 POLIG	9
	1	CONTACT CARRIER 5 WAY/BUCHSENSTECKER 5 POLIG	8
	1	CONTACT CARRIER 4 WAY/BUCHSENSTECKER 4 POLIG	7
	1	CONTACT CARRIER 3 WAY/BUCHSENSTECKER 3 POLIG	6
	1	GROUNDING PLATE FOR 360°SHIELDING CONNECTION/ MASSESCHIEBE FUER 360°ABSCHIRMUNG	5
	1	HOUSING / GEHAEUSE	4
	1	CABLE SEALING / KABELDICHTUNG	3
	1	STRAIN RELIEF / ZUGENTLASTUNGSKRONE	2
	1	STRAIN RELIEF NUT / ZUGENTLASTUNGSMUTTER	1
		REVISION OF EACH ASSY NO. (WHEN BLANK, USE DWG REV.)	

CATALOG-NO.	QTY REQD PER ASSY	DESCRIPTION BESCHREIBUNG	ITEM NO. POS.-NR.
T01-0550-508			
T01-0550-507			
T01-0550-505			
T01-0550-504			
T01-0550-503			

DIMENSIONS MASSENHEITEN (mm)	TOLERANCES UNLESS OTHERWISE SPECIFIED: ALLERGENAUERHEITEN UNLESS ANDERSONS ANGEWENDET	DWG H. GEISLER 18JUN2001	tyco Electronics AMP GmbH D - 64625 Bensheim
MATERIAL -	FINISH/BELEG-FARBE -	NAME T01 FEMALE PLUG CONNECTOR SOLDER VERSION 3-8 POS. T01 BUCHSENSTECKER LOETVERSION 3-8 POL.	DRAWING NO. 3-1437719-0
WEIGHT BEWICHT -	SCALE MASSSTAB -	CUSTOMER DRAWING /KUNDENZEICHNUNG	SHEET BLATT 1 OF 1

3-1437719-0 AS SHOWN
 WIE GEZEICHNET

X-ON Electronics

Largest Supplier of Electrical and Electronic Components

Click to view similar products for [Standard Circular Connector](#) category:

Click to view products by [TE Connectivity](#) manufacturer:

Other Similar products are found below :

[5M2530B10P](#) [600259N006](#) [600273N007](#) [6134-336-13149](#) [6134-337-11149](#) [6134-337-2390](#) [6134-341-17149](#) [6280-4SG-516](#) [6280-7SG-3DC](#)
[6290](#) [6291A](#) [66200A-10](#) [680-SMG](#) [681-PMG](#) [CXS3102A14S2P](#) [CXS3102A181S](#) [7251-5SG-300](#) [7271-6SG-300](#) [7282-3PG-300-CH3](#) [75-](#)
[474618-01S](#) [75-474618-04P](#) [75-474618-04S](#) [799539-000](#) [MI8-SE](#) [805-005-07NF11-19PC](#) [805-005-07NF15-7PA](#) [8280-4PG-516](#) [8280-7PG-](#)
[519](#) [8282-5PG-519](#) [836783-1](#) [MP-4102-25P-C](#) [862256-1](#) [864019-2](#) [866857-1](#) [867865-1](#) [PT01SP-14-18P](#) [PT08P-14-5S](#) [PTSF06SE-14-12S](#)
[120-1833-000](#) [QCM019PC2DC012B](#) [1-2069279-1](#) [121583-0217](#) [121667-0020](#) [129591AU](#) [1000B BULK](#) [RD10A16-19-P6CS051/1](#)
[RD10A20-31-P8CS051/1](#) [RD16A14-12-S6CS051/2](#) [1301240290](#) [1301240347](#) [1301860202](#)