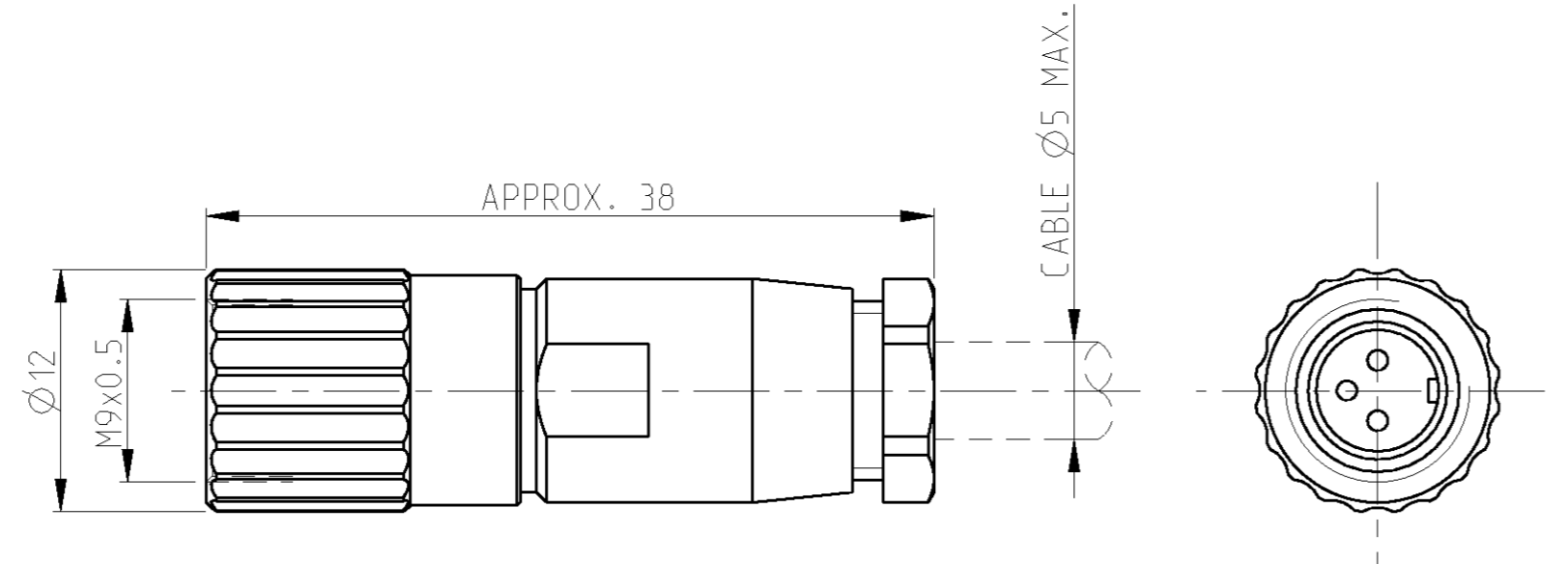
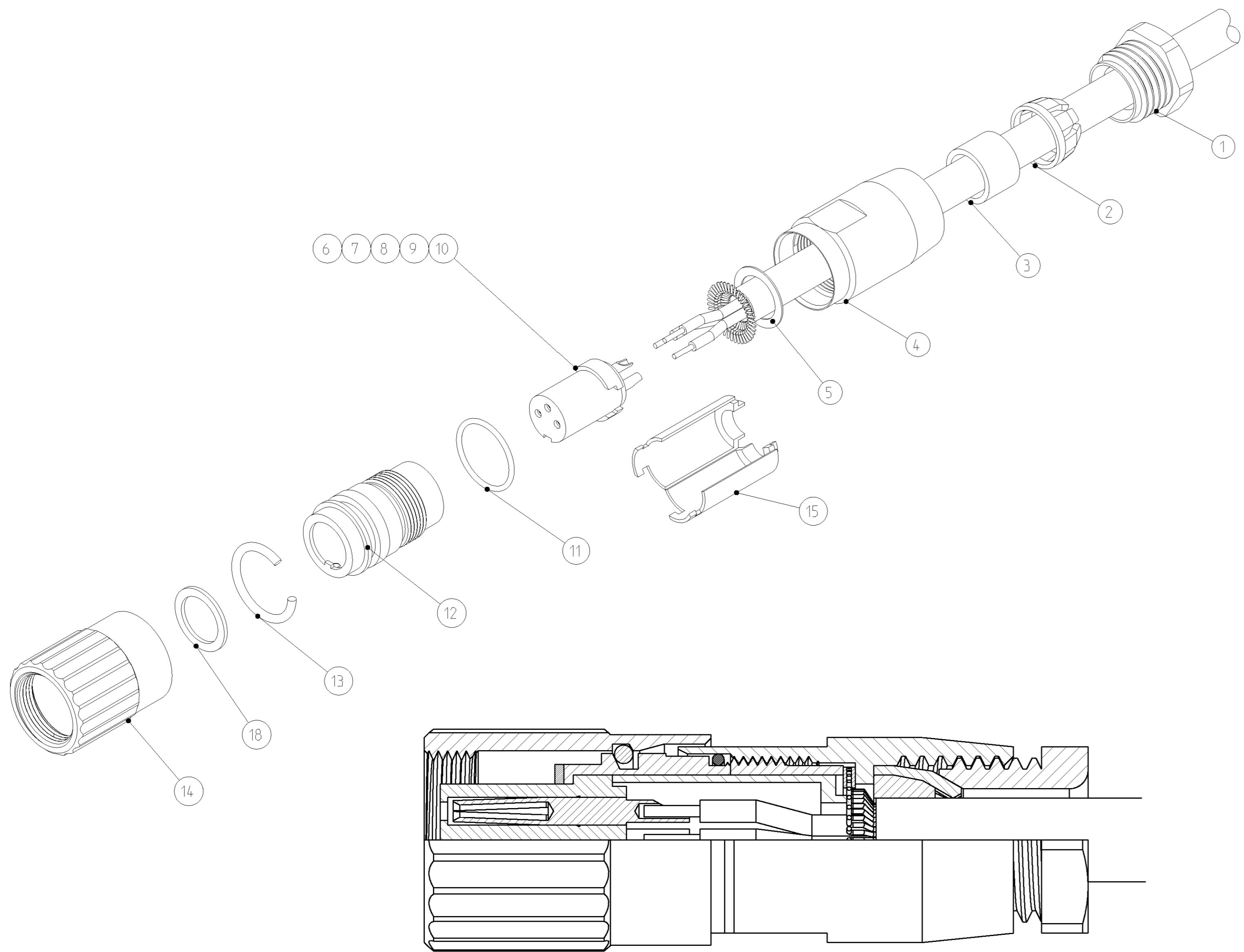
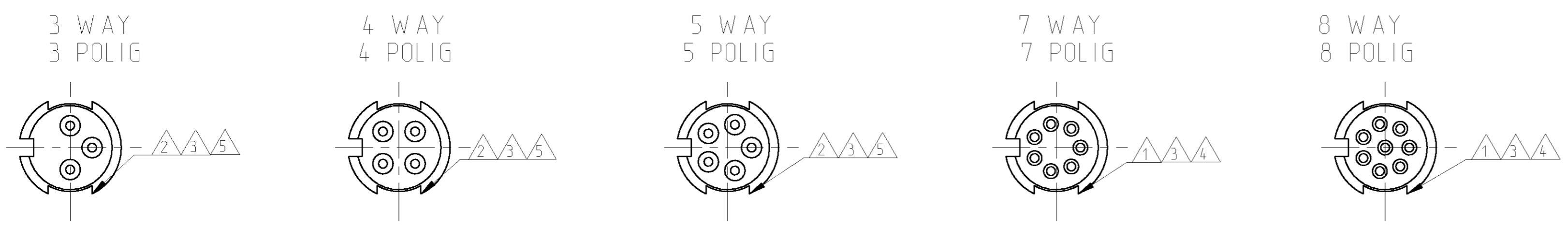


SOLDERING SIDE
 LOETSEITE



LOC	REV	DATE	DESCRIPTION	BY	CHK
A1	-	18 JUN 2001	EG00-0576-01	NG	GF
B1	-	23 FEB 04	ITEM NO. 5 QUANTITY 1 WAS 2	EW	GF

MATERIAL / MATERIAL: PBT, UL-94 V2 SHELL MATERIAL / GEHAEUSEMATERIAL: CUZN FINISH / BESCHICHTUNG: TRIBOR 4 µm	△6
WIRE GAGE / DRAHTGROESSE IN mm ² : 0.25	△5
WIRE GAGE / DRAHTGROESSE IN mm ² : 0.14	△4
CONTACT RESISTANCE / KONTAKTWIDERSTAND: => 5 mΩ	△3
RATED CURRENT PER CONTACT / NENNSTROM PRO KONTAKT: 3 A	△2
RATED CURRENT PER CONTACT / NENNSTROM PRO KONTAKT: 1 A	△1
SHELL PROTECTION CLASS / SCHUTZKLASSE: IP 65 / DIN 40050	
TERMINATION: SOLDERING / VERBINDUNG: LOETKONTAKTE	
TEST VOLTAGE / PRUEFSPANNUNG: 500 VAC	
OPERATING VOLTAGE / BETRIEBSSPANNUNG: 60 VAC	
OPERATING TEMPERATURE: -40°C TO +80°C / ARBEITSTEMPERATUR: -40°C BIS +80°C	
MATING CYCLES / STECKZYKLEN: 500 MAX.	
TECHNICAL DATA TECHNISCHE DATEN	

TYCO NO. / TYCO-NR.	QTY REQD PER ASSY	DESCRIPTION BESCHREIBUNG	ITEM NO. POS.-NR.
4-1437719-2	1	MOUNTING WRENCH / MONTAGESCHLUESSEL	19
3-1437719-9	1	SEALING PAD / GUMMIDICHTUNG	18
3-1437719-6	1	COMPLETELY IN MINI-GRIP / KOMPLETT IN MINI-GRIP-BEUTEL: 70x100mm }	17
3-1437719-3	1	MOUNTING INSTRUCTION / MONTAGEANLEITUNG	16
3-1437719-0	1	INSULATION TUBE / ISOLIERHUELSE	15
	1	SCREWING TUBE / SCHRAUBHUELSE	14
	1	SPRING / FEDER	13
	1	TUBE / INNENHUELSE	12
	1	O-RING / O-RING	11
	1	CONTACT CARRIER 8 WAY/BUCHSENSTECKER 8 POLIG	10
	1	CONTACT CARRIER 7 WAY/BUCHSENSTECKER 7 POLIG	9
	1	CONTACT CARRIER 5 WAY/BUCHSENSTECKER 5 POLIG	8
	1	CONTACT CARRIER 4 WAY/BUCHSENSTECKER 4 POLIG	7
	1	CONTACT CARRIER 3 WAY/BUCHSENSTECKER 3 POLIG	6
	1	GROUNDING PLATE FOR 360°SHIELDING CONNECTION/ MASSESCHIEBE FUER 360°ABSCHIRMUNG	5
	1	HOUSING / GEHAEUSE	4
	1	CABLE SEALING / KABELDICHTUNG	3
	1	STRAIN RELIEF / ZUGENTLASTUNGSKRONE	2
	1	STRAIN RELIEF NUT / ZUGENTLASTUNGSMUTTER	1
	-	REVISION OF EACH ASSY NO. (WHEN BLANK, USE DWG REV.)	

CATALOG-NO.	QTY REQD PER ASSY	DESCRIPTION BESCHREIBUNG	ITEM NO. POS.-NR.
T01-0550-508			
T01-0550-507			
T01-0550-505			
T01-0550-504			
T01-0550-503			

DIMENSIONS: MASSENHEITEN: (mm)	TOLERANCES, UNLESS OTHERWISE SPECIFIED: ALLERGENAUERHEITEN: (UNLESS OTHERWISE SPECIFIED)	DWG NO.: 00779	DATE: 18 JUN 2001	DRAWING NO.: 3-1437719-0	SCALE: 1:1	SHEET: 1 OF 1	REV: B1
MATERIAL: -	FINISH/BELEGART/FARBE: -	WEIGHT: -	CUSTOMER DRAWING: -	NAME: T01 FEMALE PLUG CONNECTOR SOLDER VERSION 3-8 POS. T01 BUCHSENSTECKER LOETVERSION 3-8 POL.	SIZE: A1	RESTRICTED TO: MR PER	tyco Electronics AMP GmbH D - 64625 Bensheim

3-1437719-0 AS SHOWN
 WIE GEZEICHNET

X-ON Electronics

Largest Supplier of Electrical and Electronic Components

Click to view similar products for [Standard Circular Connector](#) category:

Click to view products by [TE Connectivity](#) manufacturer:

Other Similar products are found below :

[C015](#) [10F006](#) [001](#) [1](#) [5M2530B10P](#) [600247N007](#) [600259N006](#) [600273N007](#) [600432N009](#) [6280-2PG-519](#) [6280-3PG-311](#) [6280-3SG-311](#)
[6280-7SG-3DC](#) [6280-7SG-522](#) [6282-5PG-311](#) [6282-6PG-519](#) [6282-8SG-311](#) [6283-11](#) [6283-15](#) [6290](#) [6293](#) [6382-2PG-311](#) [6382-2PG-3DC](#)
[6382-2SG-321](#) [6382-2SG-3DC](#) [6382-4SG-516](#) [67-03E20-37P](#) [681-PMG](#) [CXS3102A14S2P](#) [CXS3102A181S](#) [CXS3106A14S6S](#) [MB12P-1](#)
[MB12R-6](#) [7251-2PG-300](#) [7251-2SG-300](#) [7251-4PG-300](#) [7251-4SG-300](#) [7251-5PG-300](#) [7251-5SG-300](#) [7251-6SG-300](#) [7251-7PG-300](#) [7251-](#)
[8PG-300](#) [7271-6SG-300](#) [7282-3PG-300-CH3](#) [73000005663](#) [75-190011-03P](#) [75-190216-08S](#) [75-190218-10P](#) [75-214636-52P](#) [75-474118-10P](#)
[75-474211-03P](#) [75-474218-19S](#) [75-474618-01S](#)