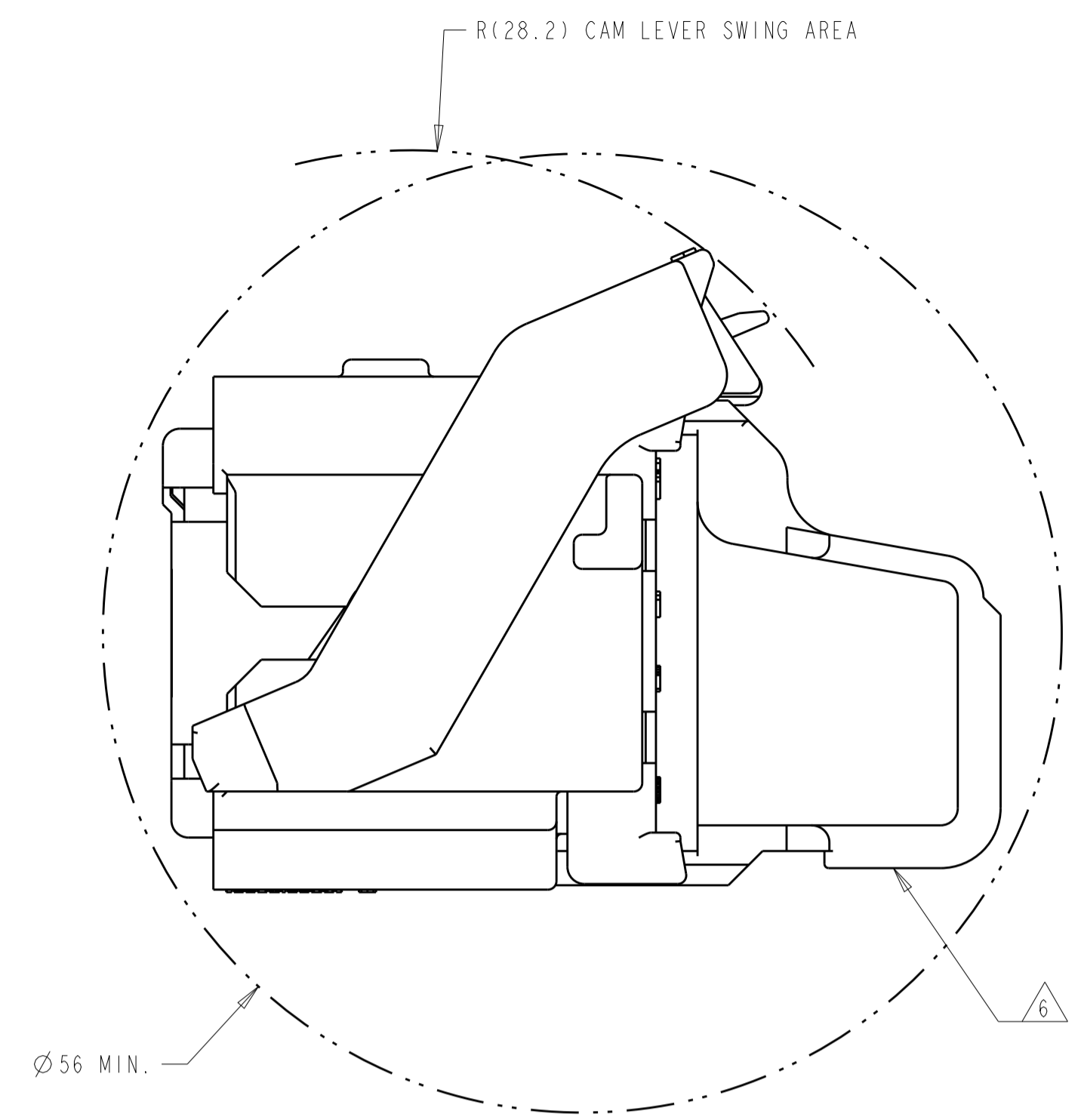
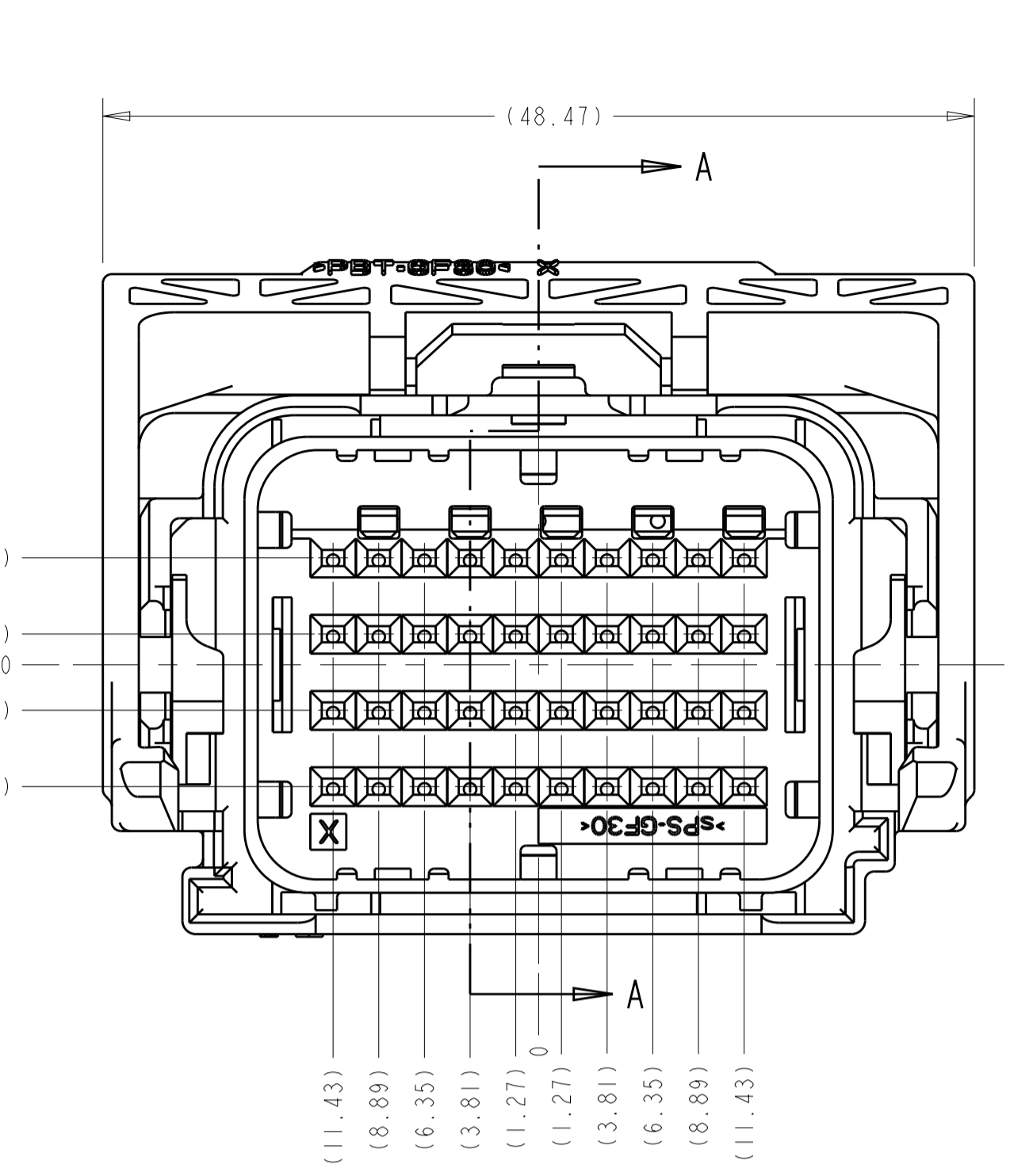
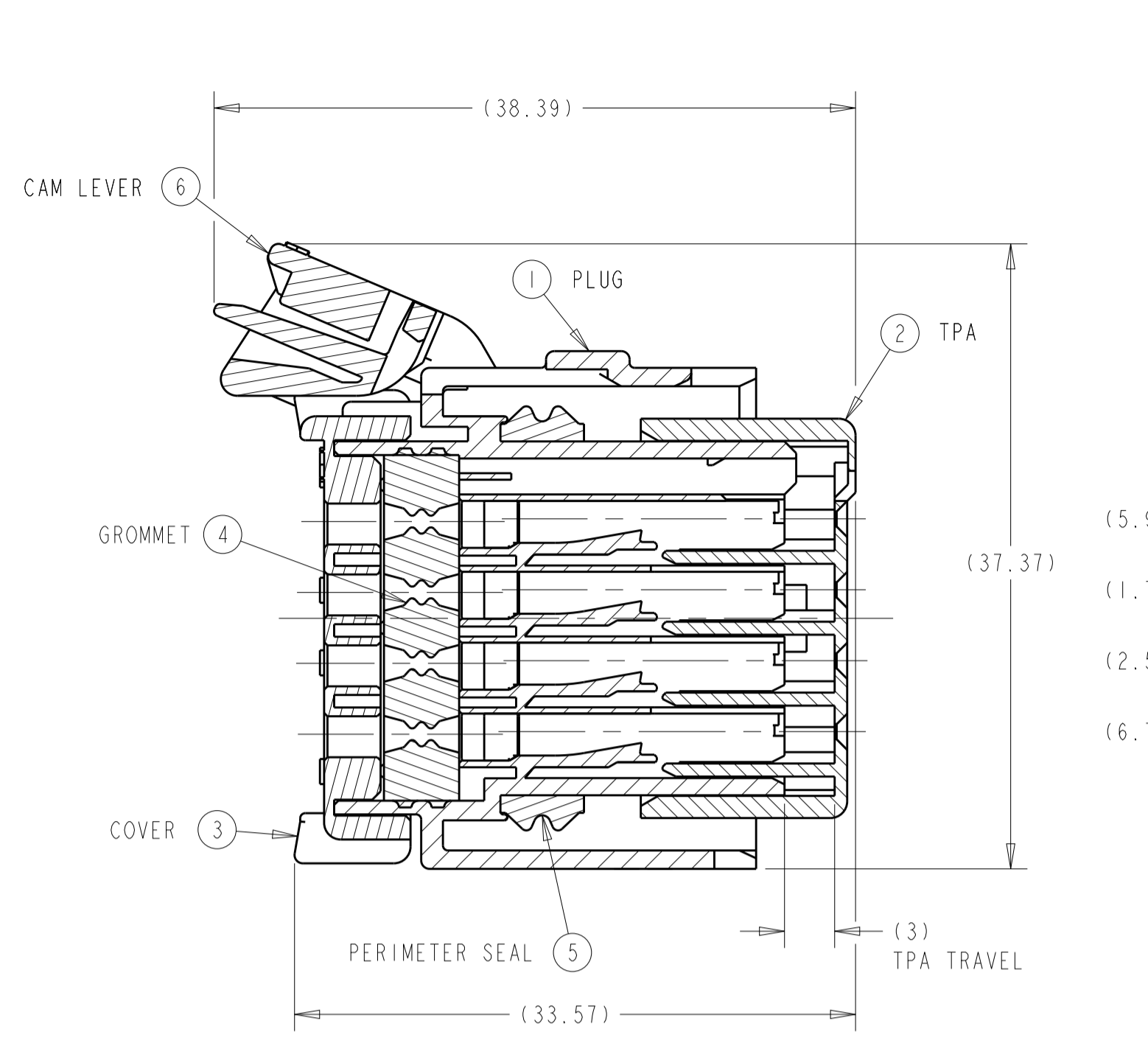
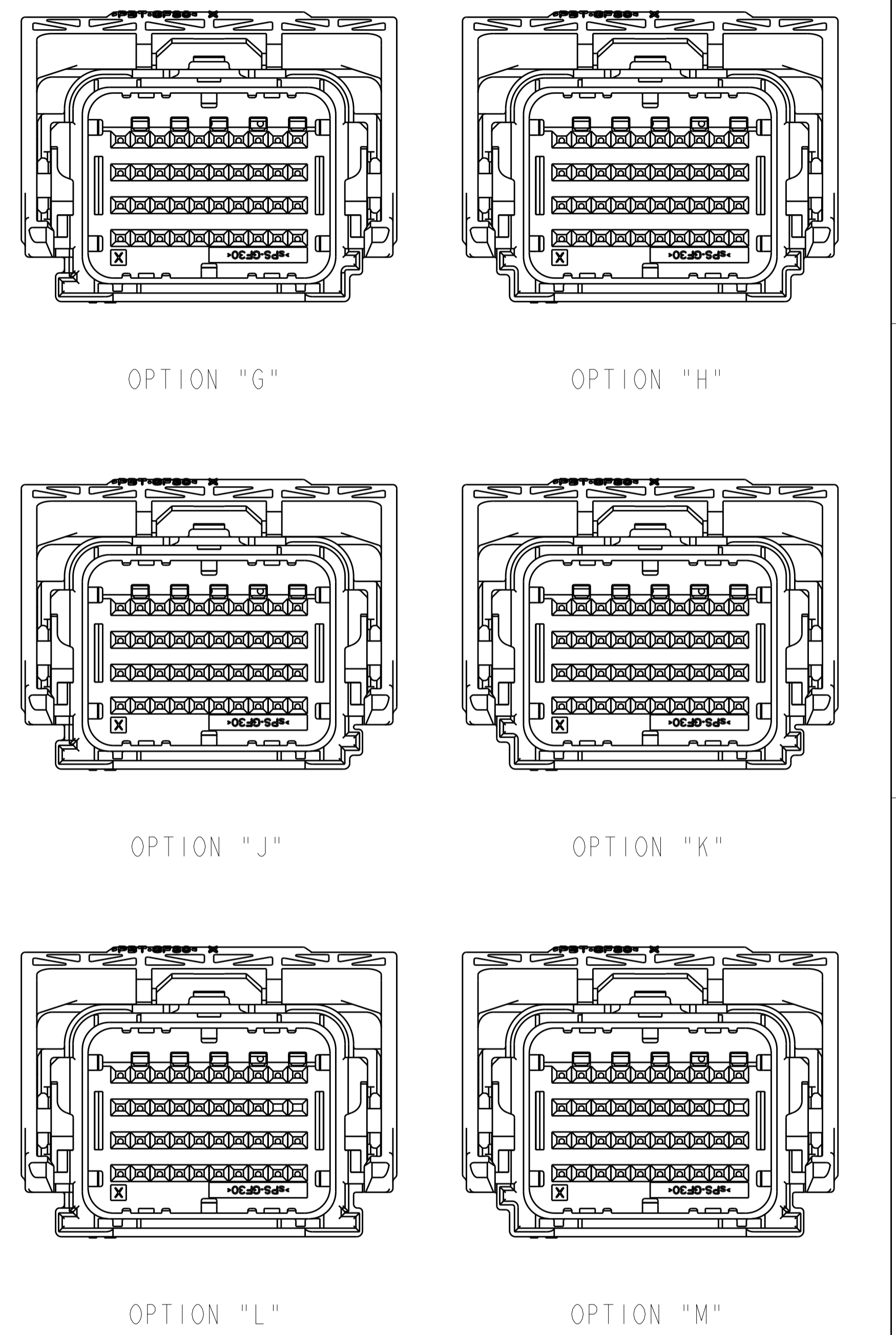


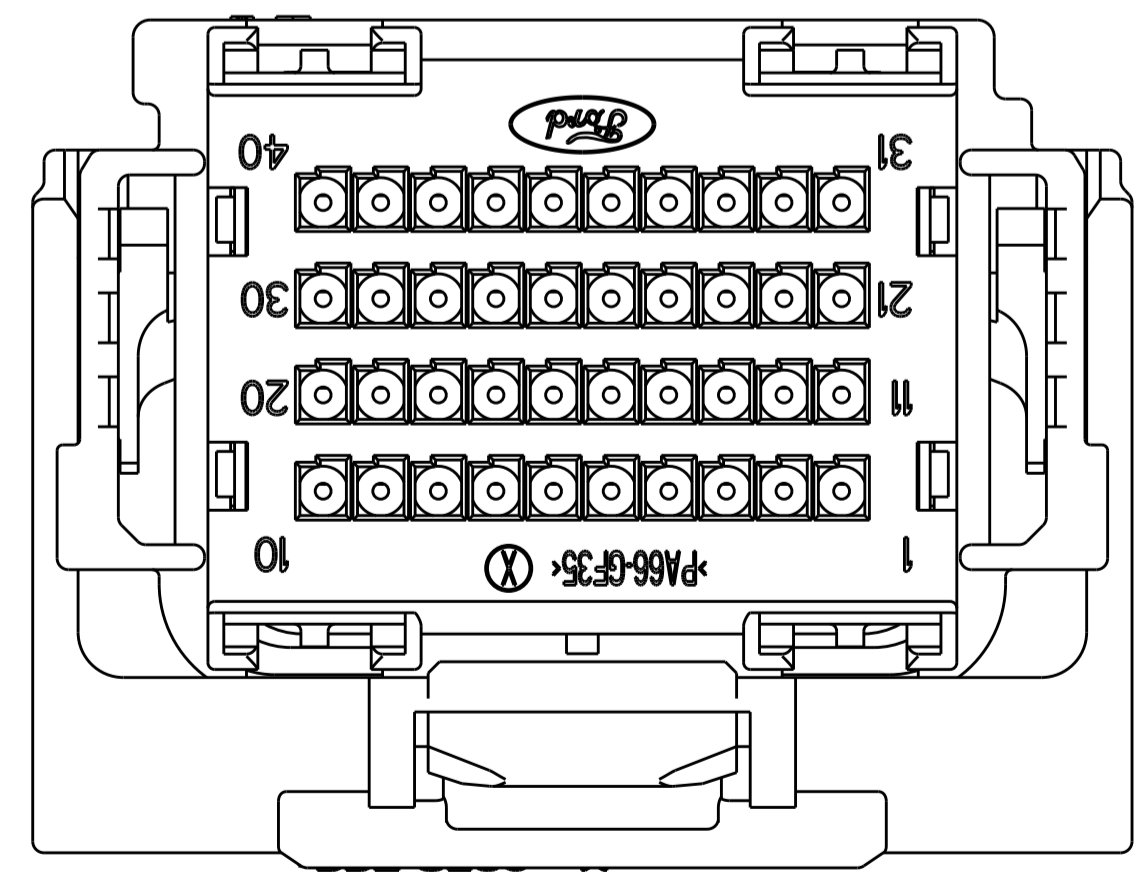
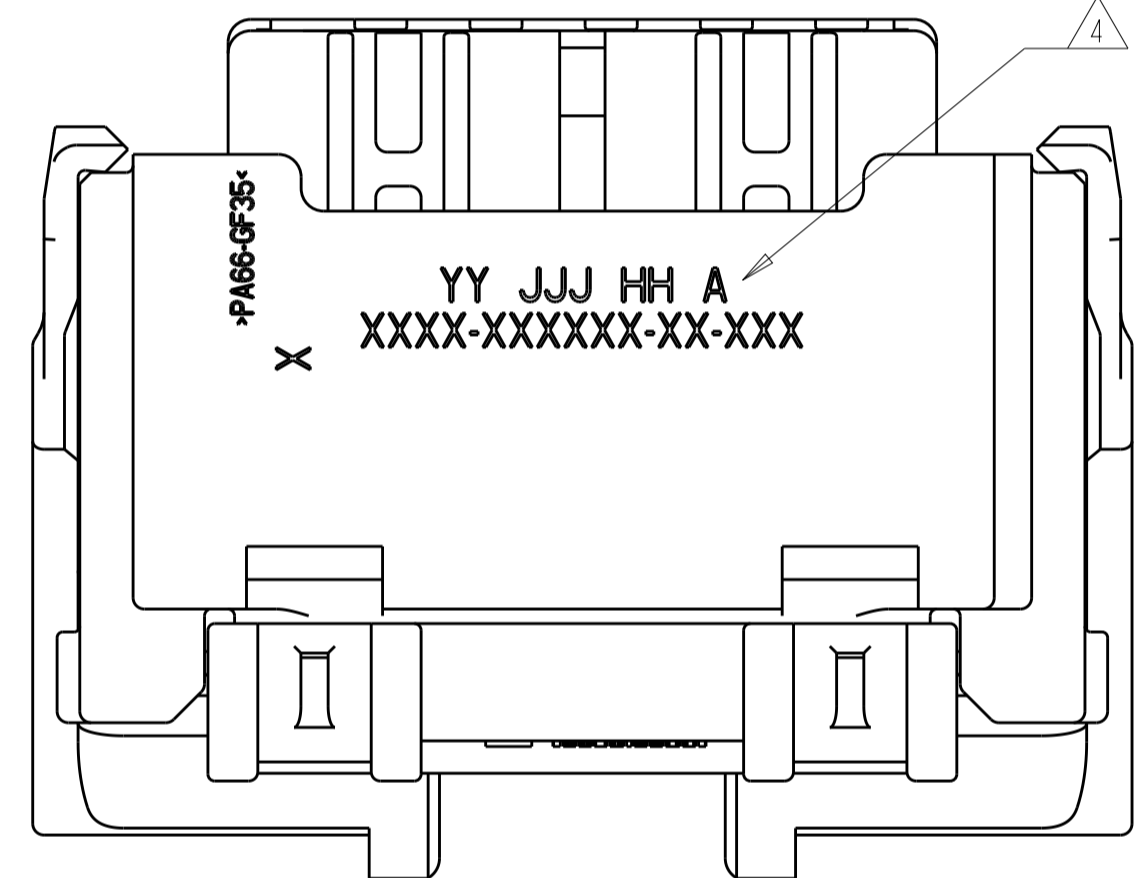
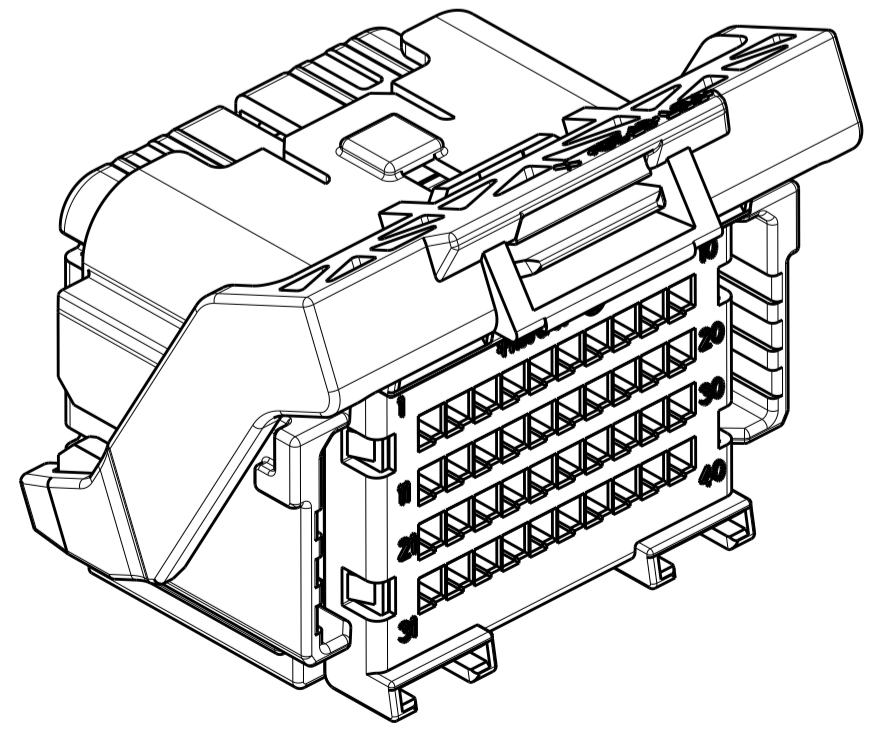
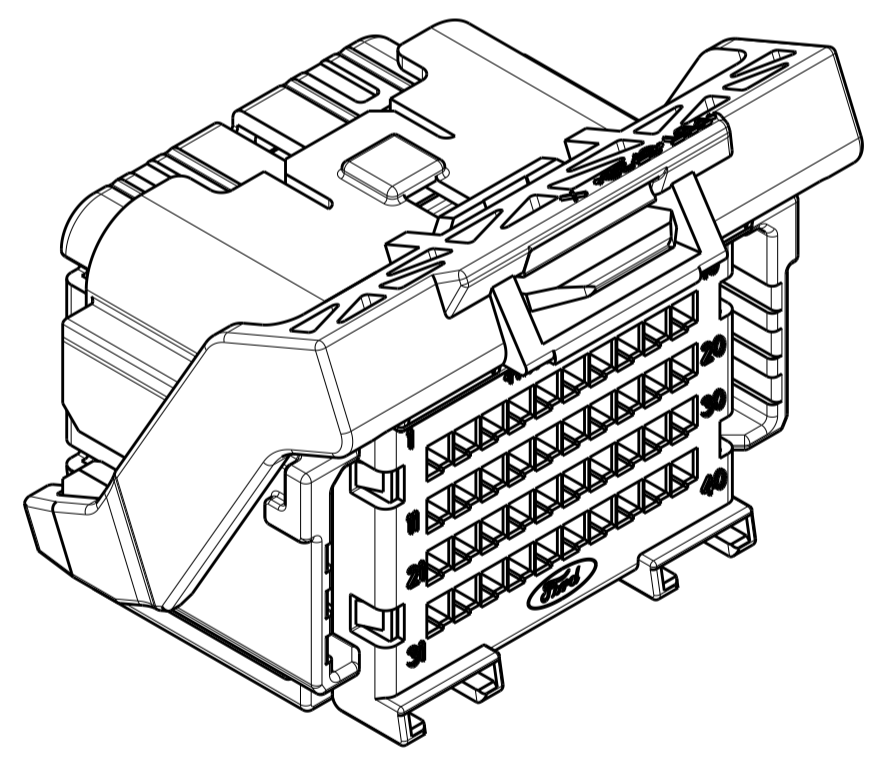
REVISIONS					
P.	LTN	DESCRIPTION	DATE	OWN	APVD
CF	REV PER ECO-17-010490		19JUL2017	RGV	WTW
CG	REV PER ECO-17-014327		03OCT2017	JMS	WW
CH	REVISED PER ECO-18-002641		22FEB2018	JMS	WW



KEYING OPTIONS
 SCALE 2:1



MINIMUM FEED THROUGH CONDITION
 WITH 1mm CLEARANCE ALL AROUND
 SHOWN WITH OPTION WIRESHIELD
 TPA IS IN IT'S LOADED POSITION
 CAM LEVER IS IN IT'S PRE-LOADED POSITION



- APPLICABLE TERMINAL PART NUMBERS (SOLD SEPARATELY):
 FOR TIN APPLICATIONS: 1393367 AND 1393366.
 FOR GOLD APPLICATIONS: 1393365 AND 1393364.
 FOR TERMINATION AND REELING OPTIONS
 SEE DRAWINGS 1393367, 1393366, 1393365, AND 1393364.
- COMPATIBLE WIRE SIZES FOR MAT SEAL DESIGN 1.19 TO 2.06 O.D.
 (22-18 AWG, 0.35-0.75 mm²)
- TPA AND CAM LEVER ARE SHIPPED IN THEIR PRE-LOADED POSITION.
 ALL ASSEMBLIES ARE TO BE TRAY PACKAGED.
- CUSTOMER PART NUMBER AND TRACEABILITY CODE (YY = TWO DIGIT YEAR,
 JJJ = JULIAN DAY, HH = TWO DIGIT MILITARY HOUR, A = ASSEMBLY PROCESS
 USED) ARE PRINTED IN THIS LOCATION.
- PART ASSEMBLY WEIGHT WITHOUT TERMINALS AND WITH STANDARD PIN-OUT
 CONFIGURATION IS 24.71 GRAMS.
- OPTIONAL WIRESHIELD P/N 8-1419157-8 (SOLD SEPARATELY). PLEASE CONTACT
 YOUR TE SALES REPRESENTATIVE FOR AVAILABILITY AND PRICING.

THIS DRAWING IS A CONTROLLED DOCUMENT.

DIMENSIONS:	TOLERANCES UNLESS OTHERWISE SPECIFIED:	OWN: M. FORLSKA 19APR2002	CHK: M. FORLSKA 19APR2002	APVD: A. VALASEK 19APR2002
mm	0 PLC ± 1 PLC ±0.3 2 PLC ±0.10 3 PLC ± 4 PLC ± ANGLES ±	PRODUCT SPEC	APPLICATION SPEC	WEIGHT SEE NOTE 5
MATERIAL SEE CHART ON SHEET 2	FINISH	SIZE CAGE CODE DRAWING NO	RESTRICTED TO	CUSTOMER DRAWING

NAME: 40 WAY ARM, PLUG ASSEMBLY WITHOUT SHORTING BARS, CUSTOMER SPEC.
 SIZE: A1 00779 C=8-1419157-7
 SCALE: 3:1 SHEET 1 OF 5 REV: CH

REVISIONS				
P.	LTN	DESCRIPTION	DATE	OWN APVD
-	-	SEE SHEET 1	-	-

ASSEMBLY PART NUMBERS										ITEM	DESCRIPTION	MATERIAL	FINISH/COLOR
										6	CAM LEVER	PBT 30% GF	GRAY
										6	CAM LEVER WITH MODIFIED TAB	PA66 35% GF	GRAY
										6	CAM LEVER WITH MODIFIED TAB	PBT 30% GF	GRAY
										5	PERIMETER SEAL	SILICONE	GREEN
										4	GROMMET	SILICONE	BROWN
										3	COVER	PA66 35% GF	BLACK
										2	TPA FOR NON-SHORTING BAR APPLICATIONS	sPS 30% GF	NATURAL
										2	TPA FOR NON-SHORTING BAR APPLICATIONS	sPS 30% GF	RED
										1	PLUG WITH KEYING OPTION "K" AND 5 SHORTING BAR POSITIONS CONFIGURATION	PA66 35% GF	BLACK
										1	PLUG WITH KEYING OPTION "L" AND 5 SHORTING BAR POSITIONS CONFIGURATION	PA66 35% GF	BLACK
										1	PLUG WITH KEYING OPTION "J" AND 5 SHORTING BAR POSITIONS CONFIGURATION	PA66 35% GF	BLACK
										1	PLUG WITH KEYING OPTION "H" AND 5 SHORTING BAR POSITIONS CONFIGURATION	PA66 35% GF	BLACK
										1	PLUG WITH KEYING OPTION "G" AND 5 SHORTING BAR POSITIONS CONFIGURATION	PA66 35% GF	BLACK

ASSEMBLY PART NUMBERS										ITEM	DESCRIPTION	MATERIAL	FINISH/COLOR
										6	CAM LEVER	PBT 30% GF	GRAY
										6	CAM LEVER WITH MODIFIED TAB	PA66 35% GF	GRAY
										6	CAM LEVER WITH MODIFIED TAB	PBT 30% GF	GRAY
										5	PERIMETER SEAL	SILICONE	GREEN
										4	GROMMET	SILICONE	BROWN
										3	COVER	PA66 35% GF	BLACK
										2	TPA FOR NON-SHORTING BAR APPLICATIONS	sPS 30% GF	NATURAL
										2	TPA FOR NON-SHORTING BAR APPLICATIONS	sPS 30% GF	RED
										1	PLUG WITH KEYING OPTION "K" AND 5 SHORTING BAR POSITIONS CONFIGURATION	PA66 35% GF	BLACK
										1	PLUG WITH KEYING OPTION "L" AND 5 SHORTING BAR POSITIONS CONFIGURATION	PA66 35% GF	BLACK
										1	PLUG WITH KEYING OPTION "J" AND 5 SHORTING BAR POSITIONS CONFIGURATION	PA66 35% GF	BLACK
										1	PLUG WITH KEYING OPTION "H" AND 5 SHORTING BAR POSITIONS CONFIGURATION	PA66 35% GF	BLACK
										1	PLUG WITH KEYING OPTION "G" AND 5 SHORTING BAR POSITIONS CONFIGURATION	PA66 35% GF	BLACK

ASSEMBLY PART NUMBERS										ITEM	DESCRIPTION	MATERIAL	FINISH/COLOR
										6	CAM LEVER	PBT 30% GF	GRAY
										6	CAM LEVER WITH MODIFIED TAB	PA66 35% GF	GRAY
										6	CAM LEVER WITH MODIFIED TAB	PBT 30% GF	GRAY
										5	PERIMETER SEAL	SILICONE	GREEN
										4	GROMMET	SILICONE	BROWN
										3	COVER	PA66 35% GF	BLACK
										2	TPA FOR NON-SHORTING BAR APPLICATIONS	sPS 30% GF	NATURAL
										2	TPA FOR NON-SHORTING BAR APPLICATIONS	sPS 30% GF	RED
										1	PLUG WITH KEYING OPTION "K" AND 5 SHORTING BAR POSITIONS CONFIGURATION	PA66 35% GF	BLACK
										1	PLUG WITH KEYING OPTION "L" AND 5 SHORTING BAR POSITIONS CONFIGURATION	PA66 35% GF	BLACK
										1	PLUG WITH KEYING OPTION "J" AND 5 SHORTING BAR POSITIONS CONFIGURATION	PA66 35% GF	BLACK
										1	PLUG WITH KEYING OPTION "H" AND 5 SHORTING BAR POSITIONS CONFIGURATION	PA66 35% GF	BLACK
										1	PLUG WITH KEYING OPTION "G" AND 5 SHORTING BAR POSITIONS CONFIGURATION	PA66 35% GF	BLACK

THIS DRAWING IS A CONTROLLED DOCUMENT. DIMENSIONS: mm 		TOLERANCES UNLESS OTHERWISE SPECIFIED: 0 PLC ±0.3 1 PLC ±0.10 2 PLC ±0.10 3 PLC ±0.10 4 PLC ±0.10 ANGLES ±0.5°		THIS DRAWING IS A CONTROLLED DOCUMENT. DWG: M. FORISKA 19APR2002 CHK: M. FORISKA 19APR2002 APVD: A. VALASEK 19APR2002 PRODUCT SPEC: - APPLICATION SPEC: - WEIGHT: SEE NOTE 5 CUSTOMER DRAWING		NAME: 40 WAY ARM, PLUG ASSEMBLY WITHOUT SHORTING BARS, CUSTOMER SPEC. SIZE: A1 CAGE CODE: 00779 DRAWING NO: 8-1419157-7 SCALE: 3:1 SHEET: 2 OF 5 REV: CH	
---	--	--	--	--	--	--	--

PIN-OUT CHART table with columns for terminal positions (1-40) and rows for various part numbers and keying options (KEY "J", KEY "H", KEY "L", KEY "G").

PIN-OUT CHART table for part number 2098034-1, showing terminal positions and keying options (KEY "H", KEY "L", KEY "J").

TERMINAL HOLE POSITION. CAVITIES WITH A NUMERIC SYMBOL INDICATE CLOSED TERMINAL HOLE POSITIONS. BLANK CAVITIES INDICATE OPEN TERMINAL HOLE POSITIONS.

Technical drawing footer containing dimensions, tolerances, material, and customer drawing information. Includes a drawing of a terminal hole and a note about cavities.

X-ON Electronics

Largest Supplier of Electrical and Electronic Components

Click to view similar products for [Automotive Connectors](#) category:

Click to view products by [TE Connectivity](#) manufacturer:

Other Similar products are found below :

[003-018-000](#) [600858](#) [60403001](#) [60993906-B](#) [60993913-B](#) [629515004020001](#) [M902-2131](#) [M902-2161](#) [M902-2344](#) [72.330.1035.1](#)
[73.353.4028.0](#) [F118010](#) [F119300-B](#) [F132210](#) [F132210-B](#) [F166900](#) [F180100](#) [F258300](#) [F258300-B](#) [F294300-B](#) [F339100](#) [F339700](#) [F358300-](#)
[B](#) [F374110](#) [F407400](#) [F412210](#) [F427600](#) [F444110](#) [F487000](#) [F495100-B](#) [F500900-B](#) [F509500B-B](#) [770444-1](#) [776880-1](#) [827153-1](#) [881735-1](#)
[8N1515-32-24P](#) [9-1326727-8](#) [9-1326729-8](#) [925467-1](#) [925474-1](#) [928905-1](#) [936398-2](#) [964562-1](#) [964562-4](#) [964731-2](#) [965051-1](#) [968782-1](#)
[GT17SA-8DS-HU](#) [GT17VS-10DP-5.2CF](#)