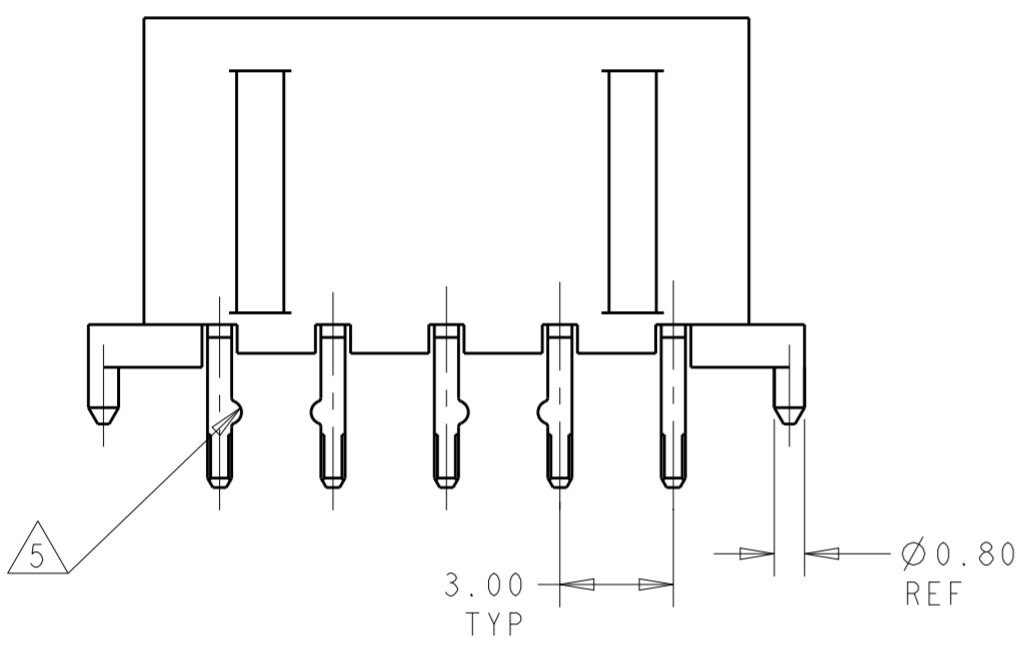
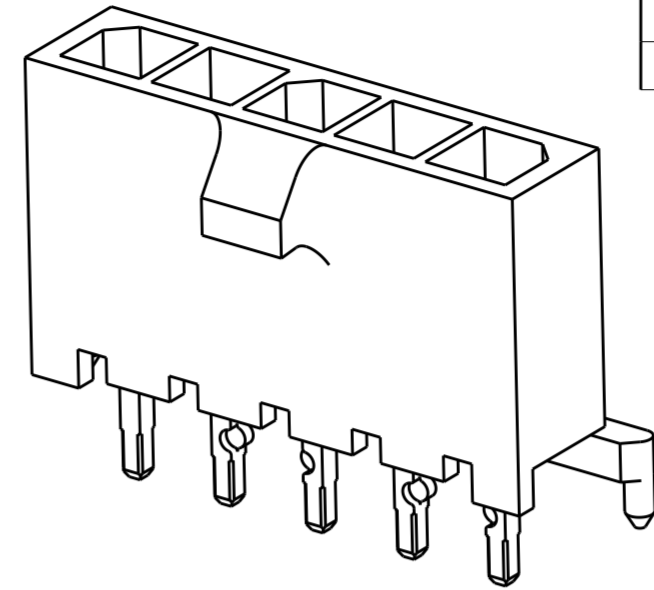
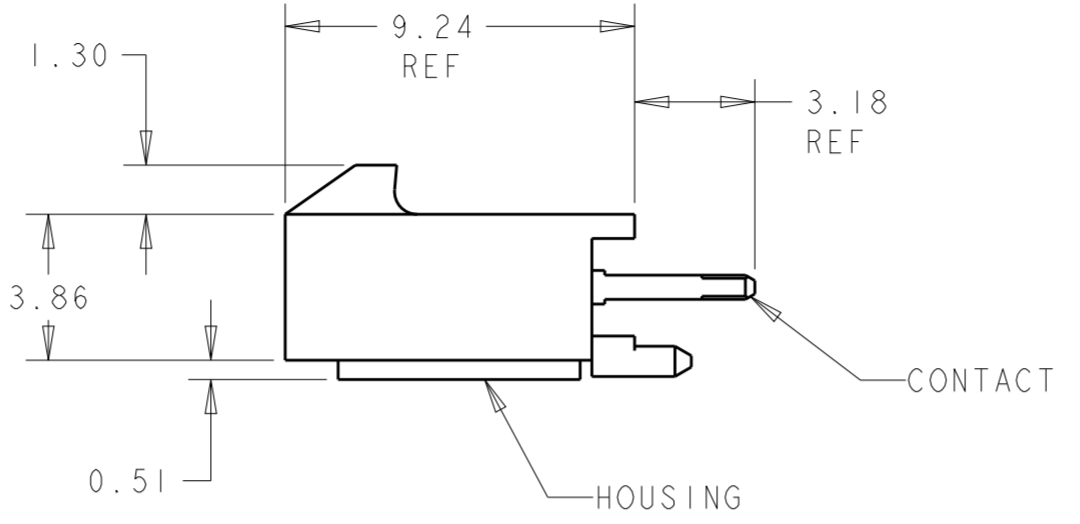
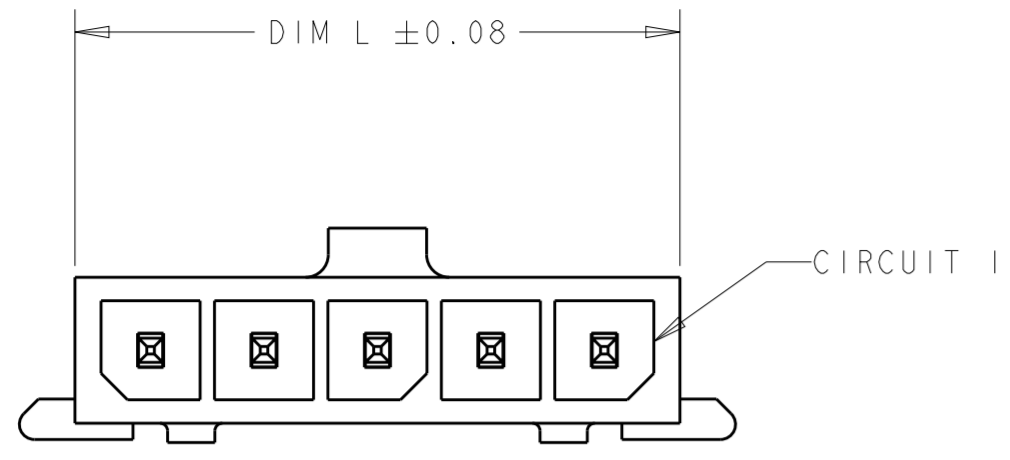


THIS DRAWING IS UNPUBLISHED. RELEASED FOR PUBLICATION 20
 © COPYRIGHT 20 BY - ALL RIGHTS RESERVED.

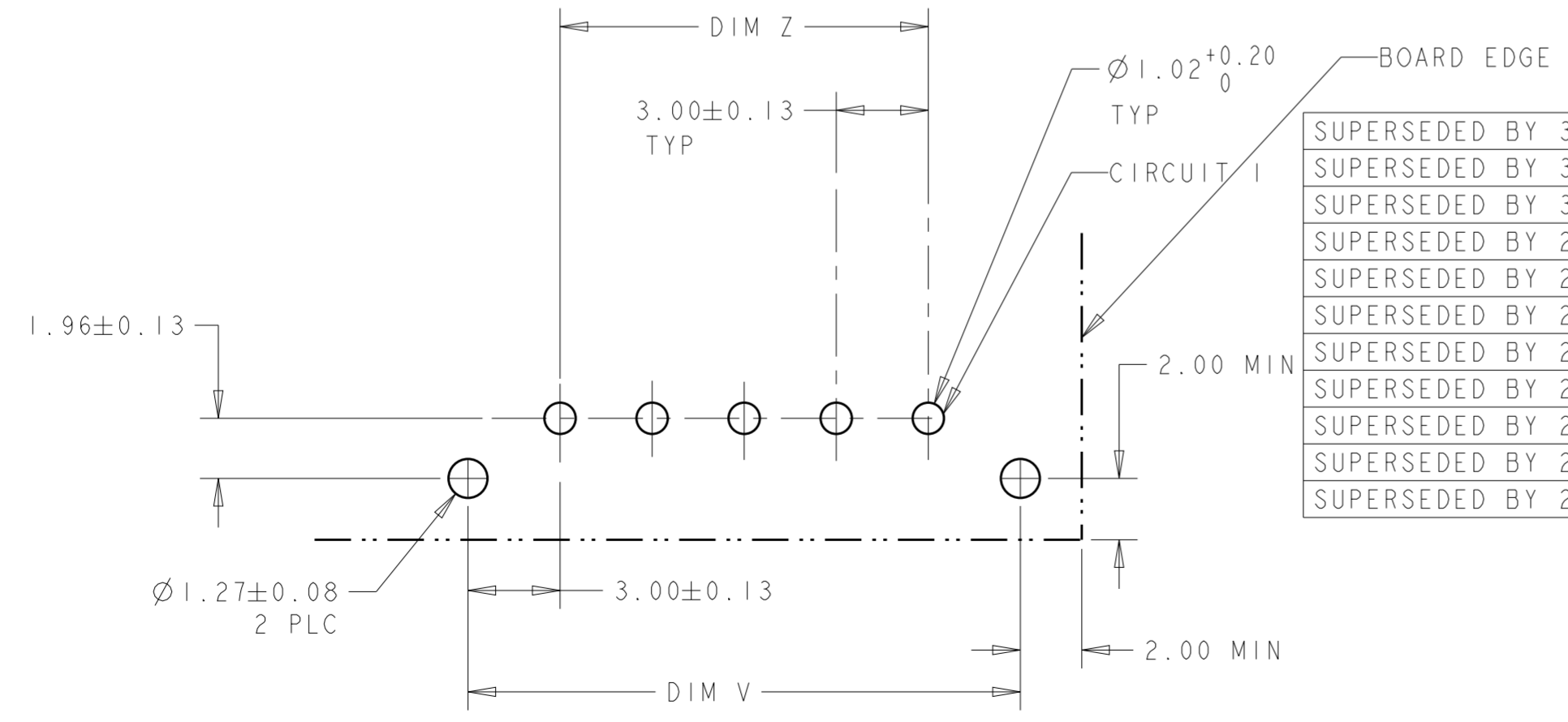
| REVISIONS | | | | |
|-----------|-----|---------------------------|-----------|-------|
| P | LTR | DESCRIPTION | DATE | APVD |
| B5 | | REVISED PER ECR-16-011494 | 20JUN2017 | NK CX |
| B6 | | ECO-19-006934 | 13MAY2019 | AP WS |



| 7 | |
|--------------|-------------|
| 1, 4, 7, 10 | 4-1445050-0 |
| PIN INSERTED | PART NUMBER |

- 1 MATERIAL: CONTACTS - BRASS
HOUSING - UL 94V-0 RATED HIGH TEMP NYLON, COLOR BLACK.
- 2 PLATING: CONTACTS - 2.54µm MINIMUM TIN-LEAD OVER 1.27µm MINIMUM NICKEL.
- 4 RECOMMENDED PC BOARD THICKNESS OF 1.57.
- 5 RETENTION BUMP FEATURES FACE EACH OTHER, TYPICAL ALL CONFIGURATIONS.
- 6 PLATING: CONTACTS - 2.54µm MINIMUM MATTE TIN OVER 1.27µm MINIMUM NICKEL.
- 7 SELECTIVE LOADED CONFIGURATION.

| 7 | 6 | | | | | | | |
|--------|----------------------|-------|-------|-------|-------------|-------------|--|--|
| 6 | 1, 4, 7, 10 | 27.00 | 33.14 | 31.00 | 10 | 4-1445050-0 | | |
| 6 | 1, 2, 11, 12 | 33.00 | 39.14 | 37.00 | 12 | 3-1445050-2 | | |
| 6 | 1, 2, 9, 10 | 30.00 | 36.14 | 34.00 | 11 | 3-1445050-1 | | |
| 6 | 1, 2, 9, 10 | 27.00 | 33.14 | 31.00 | 10 | 3-1445050-0 | | |
| 6 | 1, 2, 7, 8 | 24.00 | 30.14 | 28.00 | 9 | 2-1445050-9 | | |
| 6 | 1, 2, 7, 8 | 21.00 | 27.14 | 25.00 | 8 | 2-1445050-8 | | |
| 6 | 1, 2, 5, 6 | 18.00 | 24.14 | 22.00 | 7 | 2-1445050-7 | | |
| 6 | 1, 2, 5, 6 | 15.00 | 21.14 | 19.00 | 6 | 2-1445050-6 | | |
| 6 | 1, 2, 3, 4 | 12.00 | 18.14 | 16.00 | 5 | 2-1445050-5 | | |
| 6 | 1, 2, 3, 4 | 9.00 | 15.14 | 13.00 | 4 | 2-1445050-4 | | |
| 6 | 1, 2 | 6.00 | 12.14 | 10.00 | 3 | 2-1445050-3 | | |
| 6 | 1, 2 | 3.00 | 9.14 | 7.00 | 2 | 2-1445050-2 | | |
| 2 | 1, 2, 11, 12 | 33.00 | 39.14 | 37.00 | 12 | +1445050-2 | | |
| 2 | 1, 2, 9, 10 | 30.00 | 36.14 | 34.00 | 11 | +1445050-1 | | |
| 2 | 1, 2, 9, 10 | 27.00 | 33.14 | 31.00 | 10 | +1445050-0 | | |
| 2 | 1, 2, 7, 8 | 24.00 | 30.14 | 28.00 | 9 | +445050-9 | | |
| 2 | 1, 2, 7, 8 | 21.00 | 27.14 | 25.00 | 8 | +445050-8 | | |
| 2 | 1, 2, 5, 6 | 18.00 | 24.14 | 22.00 | 7 | +445050-7 | | |
| 2 | 1, 2, 5, 6 | 15.00 | 21.14 | 19.00 | 6 | +445050-6 | | |
| 2 | 1, 2, 3, 4 | 12.00 | 18.14 | 16.00 | 5 | +445050-5 | | |
| 2 | 1, 2, 3, 4 | 9.00 | 15.14 | 13.00 | 4 | +445050-4 | | |
| 2 | 1, 2 | 6.00 | 12.14 | 10.00 | 3 | +445050-3 | | |
| 2 | 1, 2 | 3.00 | 9.14 | 7.00 | 2 | +445050-2 | | |
| FINISH | CON POS W/RET BUMP 5 | DIM Z | DIM V | DIM L | NO. OF POSN | PART NUMBER | | |



| |
|---------------------------|
| SUPERSEDED BY 3-1445050-2 |
| SUPERSEDED BY 3-1445050-1 |
| SUPERSEDED BY 3-1445050-0 |
| SUPERSEDED BY 2-1445050-9 |
| SUPERSEDED BY 2-1445050-8 |
| SUPERSEDED BY 2-1445050-7 |
| SUPERSEDED BY 2-1445050-6 |
| SUPERSEDED BY 2-1445050-5 |
| SUPERSEDED BY 2-1445050-4 |
| SUPERSEDED BY 2-1445050-3 |
| SUPERSEDED BY 2-1445050-2 |

PCB LAYOUT COMPONENT SIDE 4

THIS DRAWING IS A CONTROLLED DOCUMENT.

| | | | |
|----------------|--|------------------------------|---|
| DIMENSIONS: mm | TOLERANCES UNLESS OTHERWISE SPECIFIED: | DWN J. ROOT 08OCT2000 | TE Connectivity |
| 0 PLC ± | 1 PLC ± | CHK K. WHITAKER 19OCT2000 | |
| 2 PLC ±0.20 | 3 PLC ± | APVD K. WHITAKER 12-MAR-2001 | NAME VERTICAL THRU HOLE HEADER ASSY, TIN CONTACTS W/PCB POLARIZATION FEATURE, SINGLE ROW, MICRO MATE-N-LOK™ |
| 4 PLC ± | ANGLES ± | PRODUCT SPEC 108-1836 | SIZE A2 CAGE CODE G-1445050 |
| MATERIAL 1 | FINISH SEE TABLE | APPLICATION SPEC 114-13000 | RESTRICTED TO |
| | | WEIGHT - | SCALE 5:1 SHEET 1 OF 1 REV B6 |
| | | CUSTOMER DRAWING | |

X-ON Electronics

Largest Supplier of Electrical and Electronic Components

Click to view similar products for [Pin & Socket Connectors](#) category:

Click to view products by [TE Connectivity](#) manufacturer:

Other Similar products are found below :

[6450822-1](#) [770392-1](#) [794042-1](#) [796885-1](#) [8-794535-1](#) [PLR3455ACS-222](#) [R929991004](#) [R929993003](#) [1403611-1](#) [1-480349-5](#) [152302-5](#)
[153211-2](#) [1586092-1](#) [1586129-1](#) [1586681-4](#) [1586700-1](#) [1586368-1](#) [1586380-1](#) [1586616-1](#) [1586680-5](#) [16-06-0038](#) [164164-5](#) [1-6609930-1](#)
[172296-1](#) [19-09-2035](#) [200503-1](#) [200788-2](#) [2029090-4](#) [2029095-4](#) [925061-7](#) [293734-4](#) [293737-2](#) [1-765362-4](#) [1-794606-3](#) [1871534-1](#)
[200833-4](#) [2008625-2](#) [2029027-2](#) [2029096-4](#) [R929991000](#) [R929991002](#) [R929993000](#) [319-10-101-00-005000](#) [319-10-102-00-001000](#)
[319-10-104-00-001000](#) [319-10-105-00-001000](#) [319-10-108-00-001000](#) [319-10-112-00-006000](#) [39-01-8019](#) [319-10-101-00-001000](#)