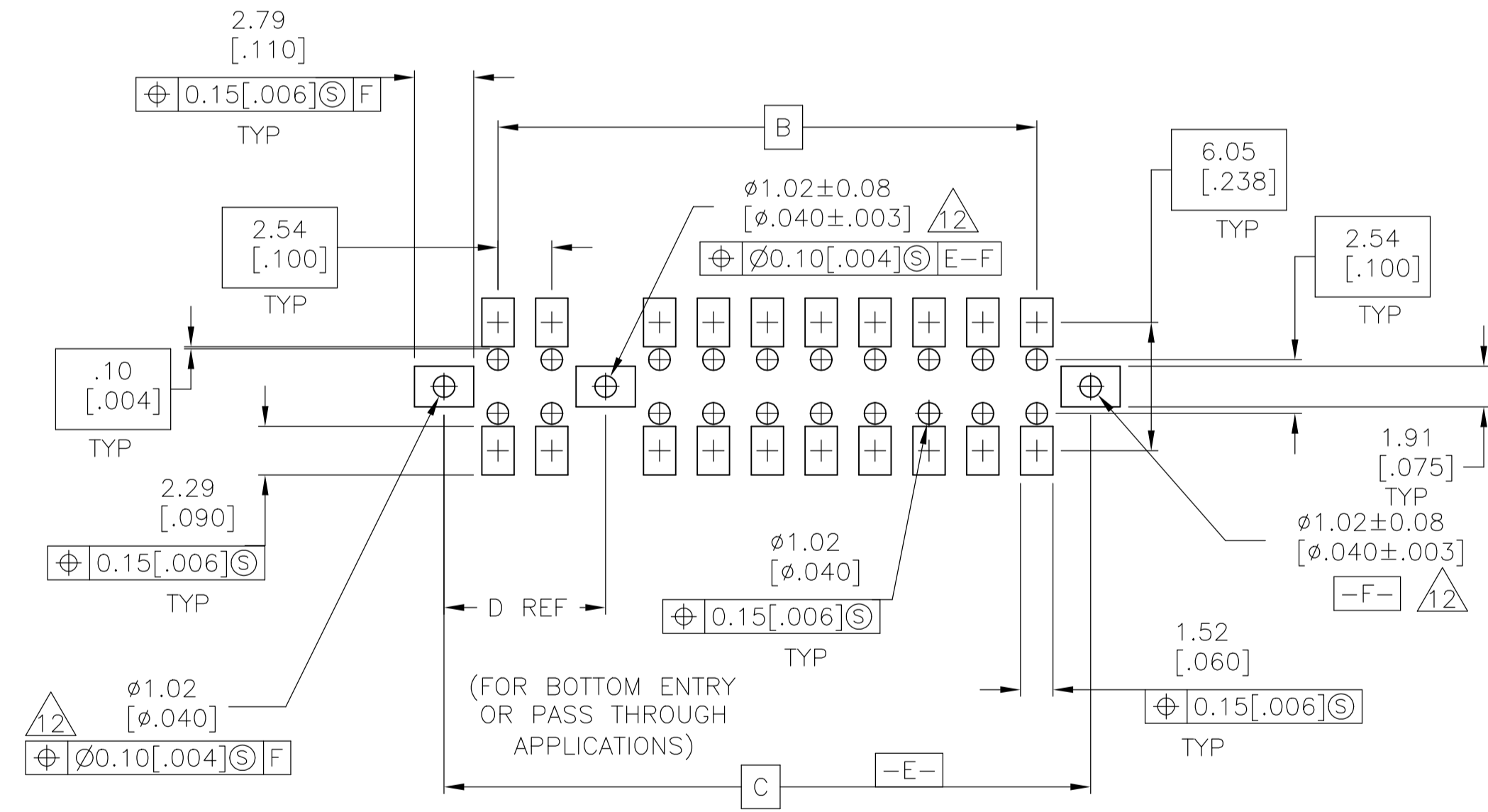
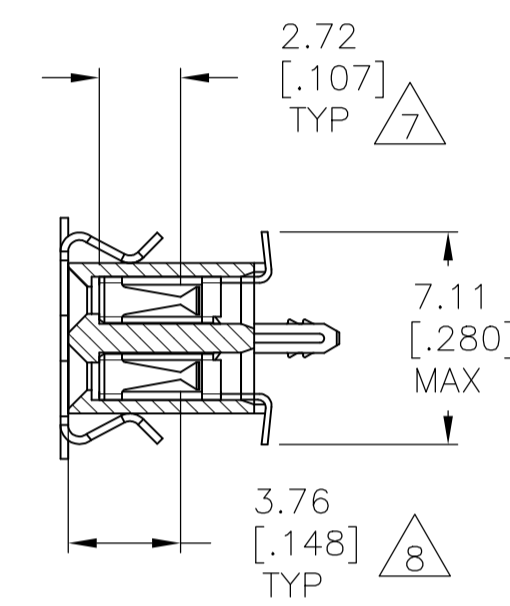
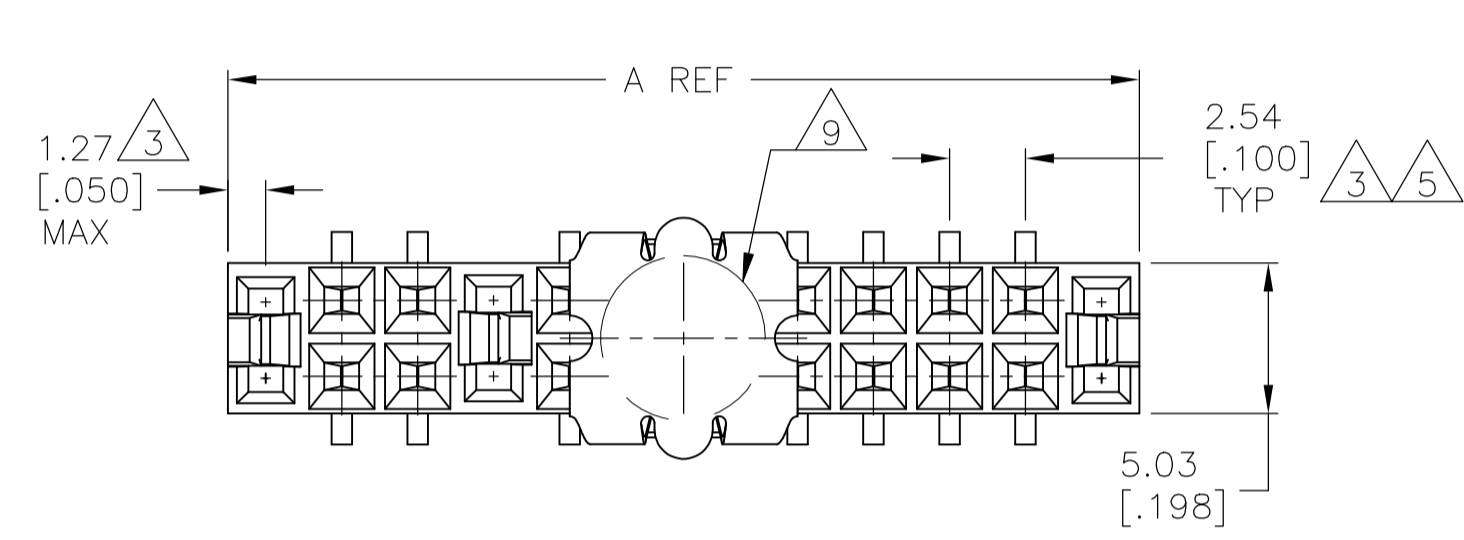
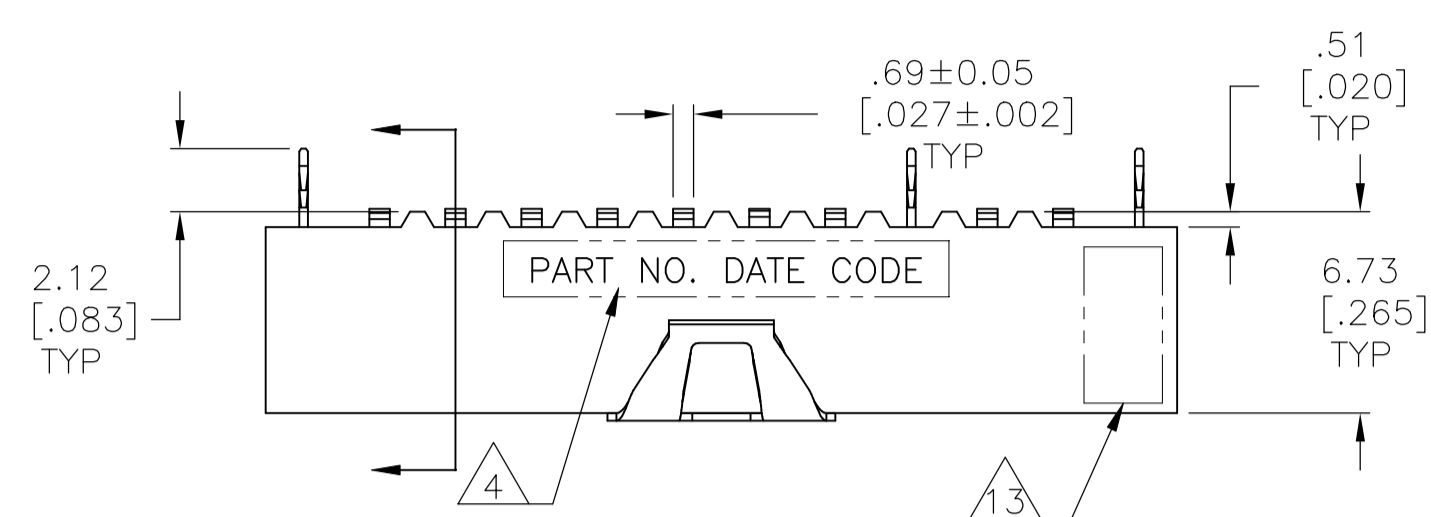


REVISIONS				
NO.	DATE	BY	CHKD	APVD
N9	08AUG2018	KJK	PS	



RECOMMENDED PC BOARD LAYOUT
0.20[.008] THICK STENCIL

FINISH	D	C	B	A	NO.OF POSN.	PART NUMBER
△	53.34[2.100]	106.68[4.200]	99.06[3.900]	109.22[4.300]	80	4-147102-0
△	50.80[2.000]	104.14[4.100]	96.52[3.800]	106.68[4.200]	78	3-147102-9
△	50.80[2.000]	101.60[4.000]	93.98[3.700]	104.14[4.100]	76	3-147102-8
△	48.26[1.900]	99.06[3.900]	91.44[3.600]	101.60[4.000]	74	3-147102-7
△	48.26[1.900]	96.52[3.800]	88.90[3.500]	99.06[3.900]	72	3-147102-6
△	45.72[1.800]	93.98[3.700]	86.36[3.400]	96.52[3.800]	70	3-147102-5
△	△	88.90[3.500]	83.82[3.300]	91.44[3.600]	68	3-147102-4
△	△	86.36[3.400]	81.28[3.200]	88.90[3.500]	66	3-147102-3
△	△	83.82[3.300]	78.74[3.100]	86.36[3.400]	64	3-147102-2
△	△	81.28[3.200]	76.20[3.000]	83.82[3.300]	62	3-147102-1
△	△	78.74[3.100]	73.66[2.900]	81.28[3.200]	60	3-147102-0
△	△	76.20[3.000]	71.12[2.800]	78.74[3.100]	58	2-147102-9
△	△	73.66[2.900]	68.58[2.700]	76.20[3.000]	56	2-147102-8
△	△	71.12[2.800]	66.04[2.600]	73.66[2.900]	54	2-147102-7
△	△	68.58[2.700]	63.50[2.500]	71.12[2.800]	52	2-147102-6
△	△	66.04[2.600]	60.96[2.400]	68.58[2.700]	50	2-147102-5
△	△	63.50[2.500]	58.42[2.300]	66.04[2.600]	48	2-147102-4
△	△	60.96[2.400]	55.88[2.200]	63.50[2.500]	46	2-147102-3
△	△	58.42[2.300]	53.34[2.100]	60.96[2.400]	44	2-147102-2
△	△	55.88[2.200]	50.80[2.000]	58.42[2.300]	42	2-147102-1
△	△	53.34[2.100]	48.26[1.900]	55.88[2.200]	40	2-147102-0
△	△	50.80[2.000]	45.72[1.800]	53.34[2.100]	38	1-147102-9
△	△	48.26[1.900]	43.18[1.700]	50.80[2.000]	36	1-147102-8
△	△	45.72[1.800]	40.64[1.600]	48.26[1.900]	34	1-147102-7
△	△	43.18[1.700]	38.10[1.500]	45.72[1.800]	32	1-147102-6
△	△	40.64[1.600]	35.56[1.400]	43.18[1.700]	30	1-147102-5
△	△	38.10[1.500]	33.02[1.300]	40.64[1.600]	28	1-147102-4
△	△	35.56[1.400]	30.48[1.200]	38.10[1.500]	26	1-147102-3
△	△	33.02[1.300]	27.94[1.100]	35.56[1.400]	24	1-147102-2
△	△	30.48[1.200]	25.40[1.000]	33.02[1.300]	22	1-147102-1
△	△	27.94[1.100]	22.86[.900]	30.48[1.200]	20	1-147102-0
△	△	25.40[1.000]	20.32[.800]	27.94[1.100]	18	147102-9
△	△	22.86[.900]	17.78[.700]	25.40[1.000]	16	147102-8
△	△	20.32[.800]	15.24[.600]	22.86[.900]	14	147102-7
△	△	17.78[.700]	12.70[.500]	20.32[.800]	12	147102-6
△	△	15.24[.600]	10.16[.400]	17.78[.700]	10	147102-5
△	△	12.70[.500]	7.62[.300]	15.24[.600]	8	147102-4
△	△	10.16[.400]	5.08[.200]	12.70[.500]	6	147102-3
△	△	7.62[.300]	2.54[.100]	10.16[.400]	4	147102-2
△	△	5.08[.200]	-	7.62[.300]	2	147102-1

THIS DRAWING IS A CONTROLLED DOCUMENT. DIMENSIONS: mm [INCHES]. TOLERANCES UNLESS OTHERWISE SPECIFIED: 0 PLC ±, 1 PLC ±, 2 PLC ± 0.15[.005], 3 PLC ±, 4 PLC ±, ANGLES ±.

FINISH: 1, 2-15

THIS DRAWING IS A CONTROLLED DOCUMENT. DIM: M.BINNER, DENDV02; CHK: J.JOLSON, DENDV02; APVD: J.JOLSON, DENDV02. NAME: J.JOLSON. RECEPTACLE ASSEMBLY, MOD IV, DOUBLE ROW, DUAL ENTRY, .100X.100CL, SMT. APPLICATION SPEC: 108-25022. SIZE: A1. CAGE CODE: 00779. DRAWING NO: 147102. WEIGHT: -. CUSTOMER DRAWING.

SCALE: 4:1. SHEET: 1 OF 2. REV: N9.

THIS DRAWING IS UNPUBLISHED. RELEASED FOR PUBLICATION. ALL RIGHTS RESERVED.

REVISIONS				
REV	DATE	BY	DESCRIPTION	APPROVED
1			SEE SHEET 1	

- 1 HOUSING: FLAME RETARDANT, GLASS FILLED, POLYESTER, COLOR: BLACK. CONTACT: PHOSPHOR BRONZE VACUUM COVER: STAINLESS STEEL
- 2 CONTACT: DUPLEX PLATED 0.76µm[.000030] GOLD IN CONTACT AREA, 3.81-7.62µm[.000150-.000300] BRIGHT TIN-LEAD ON, LEADS, ALL OVER 1.27µm[.000050] MINIMUM NICKEL
- 3 THESE DIMENSIONS PERTAIN TO CAVITY CENTERLINES ONLY NOT TO CONTACT LOCATIONS
- 4 MARK PART NUMBER AND DATE CODE IN APPROXIMATE LOCATION SHOWN, EITHER SIDE.
- 5 TOLERANCE IS NON-CUMULATIVE.
- 6 2 POSITION DATE CODE IS MARKED OPPOSITE SIDE OF TE LOGO.
- 7 POINT OF MEASUREMENT DIMENSION FOR PLATING THICKNESS (INSIDE CONTACT BEAM).
- 8 POINT-OF-CONTACT DIMENSION.
- 9 Ø5.51[.217] MIN TARGET AREA FOR VACUUM PICK UP. COVER TO BE REMOVED AFTER SOLDERING.
- 10 NO CENTER HOLD DOWN.
- 11 PACKAGED IN TUBES.
- 12 HOLES Ø1.125±.025[.0453±.0010] DRILL SIZE [0.03-0.08[.001-.003] COPPER PLATING. 0.007[.003]MIN 60/40 TIN LEAD Ø0.94-1.09[.037-.043] AFTER PLATING, 0.25[.010] ANNULAR RING BOTH SIDES.
- 13 TE CONNECTIVITY TRADEMARK AND CSA LOGO ARE MOLDED INTO HOUSING.
- 14 NO PART NUMBER REQUIRED ON THIS PART.
- 15 CONTACT: DUPLEX PLATED 0.76µm[.000030] GOLD IN CONTACT AREA, 3.81-7.62µm[.000150-.000300] MATTE TIN ON LEADS, ALL OVER 1.27µm[.000050] MINIMUM NICKEL.
- 16 ROHS 2002 /95/EC COMPLIANT.

53.34	2.100	106.68	4.200	99.06	3.900	109.22	4.300	80	9-147102-0
50.80	2.000	104.14	4.100	96.52	3.800	106.68	4.200	78	8-147102-9
50.80	2.000	101.60	4.000	93.98	3.700	104.14	4.100	76	8-147102-8
48.26	1.900	99.06	3.900	91.44	3.600	101.60	4.000	74	8-147102-7
48.26	1.900	96.52	3.800	88.90	3.500	99.06	3.900	72	8-147102-6
45.72	1.800	93.98	3.700	86.36	3.400	96.52	3.800	70	8-147102-5
		88.90	3.500	83.82	3.300	91.44	3.600	68	8-147102-4
		86.36	3.400	81.28	3.200	88.90	3.500	66	8-147102-3
		83.82	3.300	78.74	3.100	86.36	3.400	64	8-147102-2
		81.28	3.200	76.20	3.000	83.82	3.300	62	8-147102-1
		78.74	3.100	73.66	2.900	81.28	3.200	60	8-147102-0
		76.20	3.000	71.12	2.800	78.74	3.100	58	7-147102-9
		73.66	2.900	68.58	2.700	76.20	3.000	56	7-147102-8
		71.12	2.800	66.04	2.600	73.66	2.900	54	7-147102-7
		68.58	2.700	63.50	2.500	71.12	2.800	52	7-147102-6
		66.04	2.600	60.96	2.400	68.58	2.700	50	7-147102-5
		63.50	2.500	58.42	2.300	66.04	2.600	48	7-147102-4
		60.96	2.400	55.88	2.200	63.50	2.500	46	7-147102-3
		58.42	2.300	53.34	2.100	60.96	2.400	44	7-147102-2
		55.88	2.200	50.80	2.000	58.42	2.300	42	7-147102-1
		53.34	2.100	48.26	1.900	55.88	2.200	40	7-147102-0
		50.80	2.000	45.72	1.800	53.34	2.100	38	6-147102-9
		48.26	1.900	43.18	1.700	50.80	2.000	36	6-147102-8
		45.72	1.800	40.64	1.600	48.26	1.900	34	6-147102-7
		43.18	1.700	38.10	1.500	45.72	1.800	32	6-147102-6
		40.64	1.600	35.56	1.400	43.18	1.700	30	6-147102-5
		38.10	1.500	33.02	1.300	40.64	1.600	28	6-147102-4
		35.56	1.400	30.48	1.200	38.10	1.500	26	6-147102-3
		33.02	1.300	27.94	1.100	35.56	1.400	24	6-147102-2
		30.48	1.200	25.40	1.000	33.02	1.300	22	6-147102-1
		27.94	1.100	22.86	.900	30.48	1.200	20	6-147102-0
		25.40	1.000	20.32	.800	27.94	1.100	18	5-147102-9
		22.86	.900	17.78	.700	25.40	1.000	16	5-147102-8
		20.32	.800	15.24	.600	22.86	.900	14	5-147102-7
		17.78	.700	12.70	.500	20.32	.800	12	5-147102-6
		15.24	.600	10.16	.400	17.78	.700	10	5-147102-5
		12.70	.500	7.62	.300	15.24	.600	8	5-147102-4
		10.16	.400	5.08	.200	12.70	.500	6	5-147102-3
		7.62	.300	2.54	.100	10.16	.400	4	5-147102-2
		5.08	.200			7.62	.300	2	5-147102-1

OBSOLETE

FINISH	D	C	B	A	NO. OF POSN	PART NUMBER

THIS DRAWING IS A CONTROLLED DOCUMENT.

DIMENSIONS: mm [INCHES]
 TOLERANCES UNLESS OTHERWISE SPECIFIED:
 0 PLC ± -
 1 PLC ± -
 2 PLC ± 0.13[.005]
 3 PLC ± -
 4 PLC ± -
 ANGLES ± -

FINISH:

MATERIAL:

CUSTOMER DRAWING

THIS DRAWING IS A CONTROLLED DOCUMENT. DIM M. BINNER DENDV02. DIM J. OLSON DENDV02. DIM J. OLSON DENDV02. NAME RECEPTACLE ASSEMBLY, MOD IV, DOUBLE ROW, DUAL ENTRY, .100X.100CL, SMT. APPLICATION SPEC 108-25022. APPLICATION SPEC 114-25018. SIZE A1. CAGE CODE 00779. DRAWING NO. 147102. RESTRICTED TO. WEIGHT -. SCALE 1:1. SHEET 2 OF 2. REV N9.

X-ON Electronics

Largest Supplier of Electrical and Electronic Components

Click to view similar products for [Headers & Wire Housings](#) category:

Click to view products by [TE Connectivity](#) manufacturer:

Other Similar products are found below :

[95000-104TRLF](#) [10135584-644402LF](#) [DF62W-EP2022PCA](#) [95000-106TRLF](#) [DF62W-2022SCA](#) [DF62W-EP2022PC](#) [2203348](#) [DF62W-2022SC](#) [1084018](#) [1029039](#) [1084017](#) [802-10-012-10-002000](#) [1112640](#) [1112639](#) [000-34000](#) [0009482033](#) [0009507031](#) [57102-S06-03LF](#) [57202-S52-04LF](#) [PCN6-15S-2.5E](#) [0039019024](#) [58102-G61-06LF](#) [582553-1](#) [0009508121](#) [0050291907](#) [018731A](#) [LY20-4P-DT1-P1E-BR](#) [02.125.8002.8](#) [60101931](#) [60598-1 \(Cut Strip\)](#) [M1625-3R/100](#) [61062-3](#) [61082-181009](#) [636-1427](#) [638009-1](#) [641938-9](#) [641991-4](#) [644168-1](#) [647662-1](#) [65039-019ELF](#) [65817-002LF](#) [65817-015LF](#) [65863-015LF](#) [66207-023LF](#) [67016-026LF](#) [67046-001LF](#) [67095-007LF](#) [68002-116](#) [68016-236H](#) [68648-049](#)