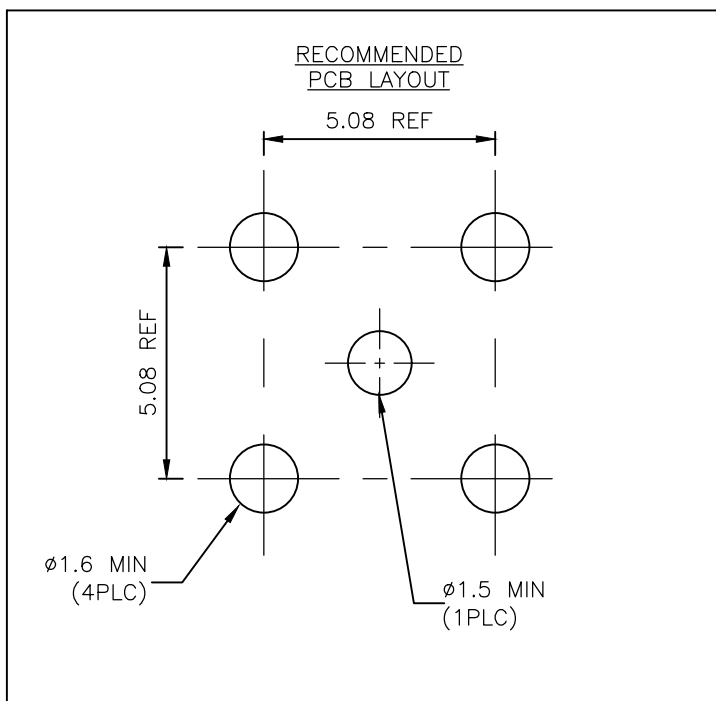
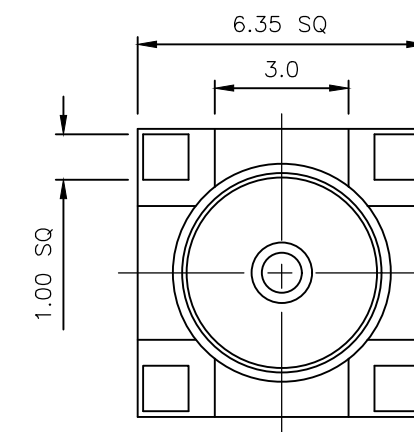
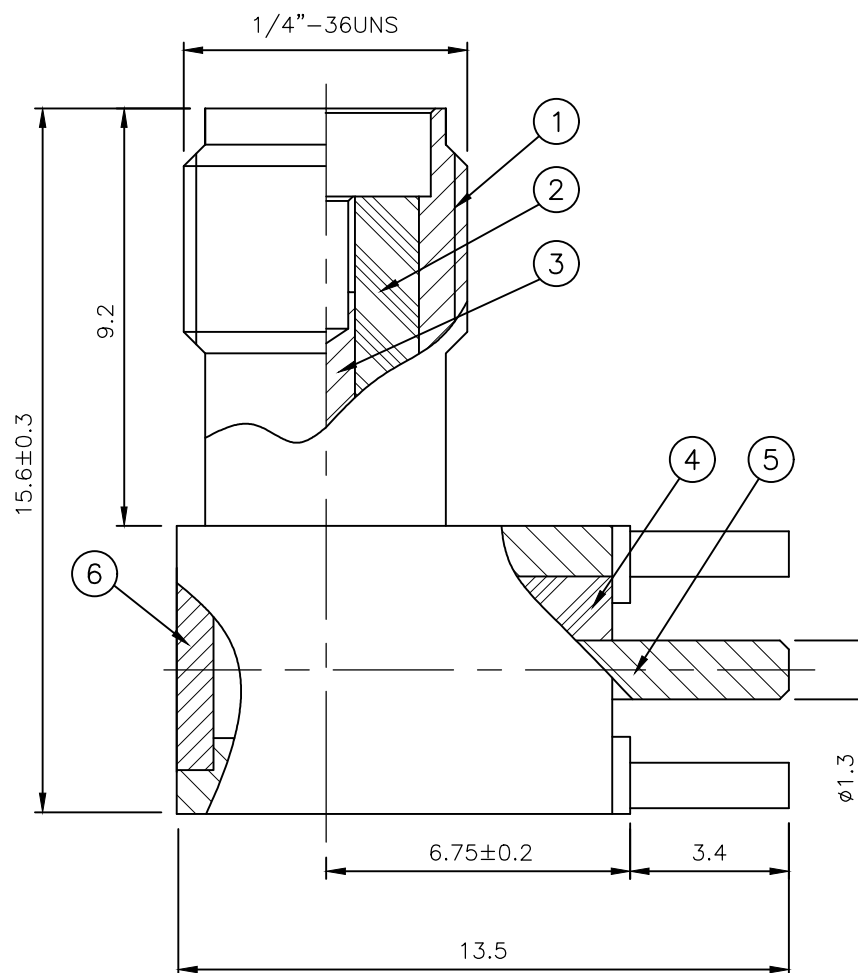


P	LTR	DESCRIPTION	DATE	DWN	APVD
	F1	REVISE PER ECR-19-016653	13NOV2019	RZ	RS

NOTES:

- 1. SINGLE PACK IN ACCORDANCE WITH SPEC 107-3275
- 2. 30 TRAY PACK IN ACCORDANCE WITH SPEC 107-3275
- 3. 0.08µm GOLD PLATING
- 4. 0.76µm GOLD PLATING
- 5. ELECTRICAL CHARACTERISTICS
 FREQUENCY RANGE:
 STAINLESS STEEL: DC-12.4GHz
 BRASS: DC-6GHz
 NOMINAL IMPEDANCE: 50 OHMS
 INSULATION RESISTANCE: 5000 MOHMS
 WORKING VOLTAGE: 500 VOLTS MAX.
 DIELECTRIC WITHSTAND VOLTAGE: 1000 VOLTS MAX.
 VSWR: 1.23 MAX.
 RETURN LOSS: DC..6GHz<=-19.73dB
 INSERTION LOSS: 0.1 dB MAX. @3 GHz
 CONTACT RESISTANCE: 3 mOHMS
 CENTRE CONTACT: 2 mOHMS
 OUTER CONTACT: 2 mOHMS
- 6. MECHANICAL CHARACTERISTICS
 DURABILITY: 500 CYCLES
 TORQUE SETTING: 0.15-0.20 NM
- 7. ENVIRONMENTAL
 OPERATING TEMPERATURE: -65~+165°
- 8. FOR TECHNICAL DATA REFER TO YOUR LOCAL TE CONNECTIVITY SALES OFFICE
- 9. ALL DIMENSIONS ARE NOMINAL FOR REFERENCE ONLY UNLESS OTHERWISE STATED



QTY	DESCRIPTION	ITEM
1	BRASS	ACCESS CAP 6
1	STAINLESS STEEL	ACCESS CAP 6
1	BRASS	PIN 5
1	BRASS	PIN 5
1	PTFE	INSULATOR 4
1	BERYLLIUM COPPER	SOCKET 3
1	PHOSPHOR BRONZE	SOCKET 3
1	PTFE	INSULATOR 2
1	BRASS	BODY 1
1	STAINLESS STEEL	BODY 1
3--1		
3--0		
1--1		
1--0		
	MATERIAL	DESCRIPTION ITEM

THIS DRAWING IS A CONTROLLED DOCUMENT.

DWN J.SANDWELL 09DEC03
 CHK S.PARLOW 09DEC03
 APVD F.WHEELER-KING 09DEC03

STE TE Connectivity

NAME: SMA RIGHT ANGLE PCB SOCKET RECEPTACLE

PRODUCT SPEC: -
 APPLICATION SPEC: -

SIZE: A3 CAGE CODE: 00779 DRAWING NO: C-1478978 RESTRICTED TO: -

WEIGHT: 0.000000

CUSTOMER DRAWING SCALE: NTS SHEET: 1 OF 1 REV: F1

X-ON Electronics

Largest Supplier of Electrical and Electronic Components

Click to view similar products for [RF Connectors / Coaxial Connectors](#) category:

Click to view products by [TE Connectivity](#) manufacturer:

Other Similar products are found below :

[8915-1511-000](#) [89674-0827](#) [6001-7071-019](#) [6002-7051-003](#) [6002-7551-202](#) [6059674-1](#) [619550-1](#) [630059-000](#) [M39030/3-01N](#) [6500-7071-046](#) [6769](#) [CX050L2AQ](#) [7002-1541-010](#) [7002-1542-011](#) [7004-1512-000](#) [7009-1511-004](#) [7010-1511-000](#) [7029-1511-060](#) [7101-1541-010](#) [7101-1571-002](#) [7105-1521-002](#) [7145-1521-002](#) [7203-1571-003](#) [7209-1511-011](#) [7210-1511-015](#) [7210-1511-019](#) [73137-5015](#) [73216-2241](#) [73404-2300](#) [7405-1521-005](#) [7405-1521-802](#) [8527](#) [8547](#) [FS11V](#) [877931](#) [9049-9513-000](#) [9074-9513-000](#) [9101-9573-002](#) [910A205F](#) [9130-9573-002](#) [PL11SC-026](#) [PL375-33](#) [PL40-5](#) [PL74C-221](#) [PL75MC-217](#) [PL803-7](#) [1200690078](#) [1-201144-1](#) [R107003010W](#) [R110A172100](#)