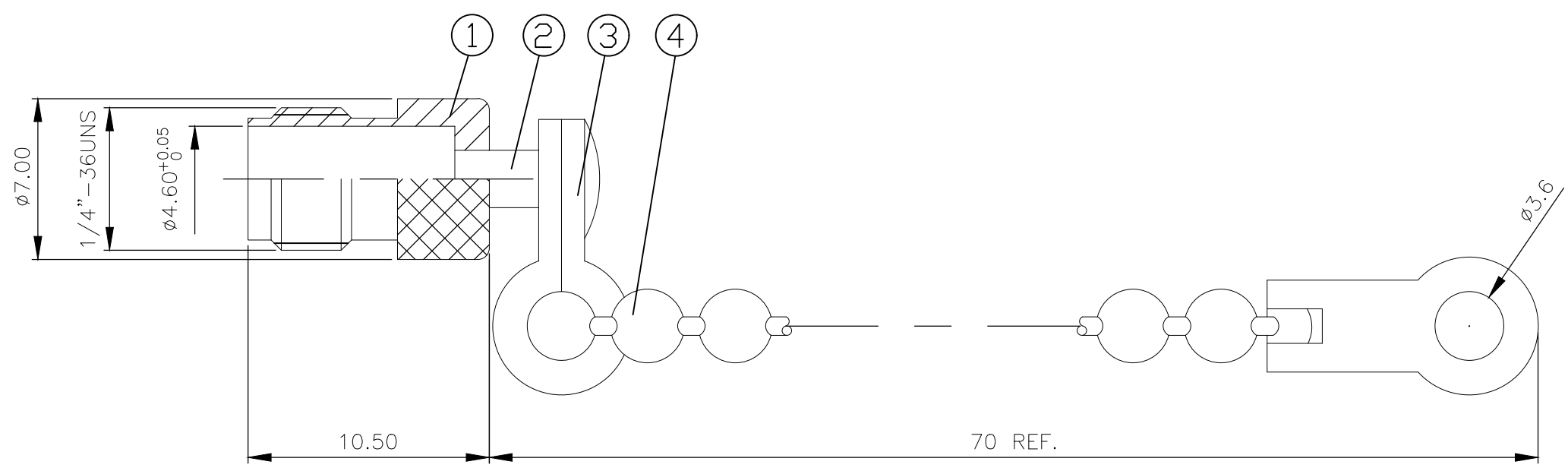


THIS DRAWING IS UNPUBLISHED. RELEASED FOR PUBLICATION APRIL , 2004.
 © COPYRIGHT 2004 By - ALL RIGHTS RESERVED.

REVISIONS					
P	LTR	DESCRIPTION	DATE	DWN	APVD
	C	REVISED PER ECO-14-011634	19JAN2020	RZ	RS

- NOTES:
- ① SINGLE PACK IN ACCORDANCE WITH SPEC 107-3275
 - ② 100 TRAY PACK IN ACCORDANCE WITH SPEC 107-3275
 - ③ Au PLATING
- 4 FOR TECHNICAL DATA REFER TO YOUR LOCAL TYCO ELECTRONICS SALES OFFICE
- 5 ALL DIMENSIONS ARE NOMINAL FOR REFERENCE ONLY UNLESS OTHERWISE STATED
- 6 OPERATING TEMPERATURE RANGE: -65°C~+165°C
- 7 DURABILITY: 500 CYCLES



QTY	QTY	MATERIAL	DESCRIPTION	ITEM
1	1	BRASS	CHAIN	4
1	1	STAINLESS STEEL	JOINT	3
1	1	BRASS	RIVET	2
1	1	BRASS	SHELL	1
3--1	3--0	MATERIAL	DESCRIPTION	ITEM
②	①			

THIS DRAWING IS A CONTROLLED DOCUMENT.		DWN R.SMITH 13FEB04	TE Connectivity														
DIMENSIONS: mm		CHK S.PARLOW 13FEB04															
TOLERANCES UNLESS OTHERWISE SPECIFIED:		APVD F.WHEELER-KING 13FEB04	NAME SMA JACK DUST CAP AND CHAIN														
<table border="0"> <tr><td>0 PLC</td><td>± -</td></tr> <tr><td>1 PLC</td><td>± 0.2</td></tr> <tr><td>2 PLC</td><td>± 0.1</td></tr> <tr><td>3 PLC</td><td>± 0.05</td></tr> <tr><td>4 PLC</td><td>± -</td></tr> <tr><td>ANGLES</td><td>± 5°</td></tr> </table>		0 PLC	± -	1 PLC	± 0.2	2 PLC	± 0.1	3 PLC	± 0.05	4 PLC	± -	ANGLES	± 5°	PRODUCT SPEC 108-3460	RESTRICTED TO		
0 PLC	± -																
1 PLC	± 0.2																
2 PLC	± 0.1																
3 PLC	± 0.05																
4 PLC	± -																
ANGLES	± 5°																
MATERIAL SEE TABLE		FINISH -	APPLICATION SPEC -	SIZE A3	CAGE CODE 00779												
		WEIGHT 0.000000	DRAWING NO C-1478986	REV C													
CUSTOMER DRAWING			SCALE 1:1	SHEET 1 OF 1													

X-ON Electronics

Largest Supplier of Electrical and Electronic Components

Click to view similar products for [RF Connector Accessories](#) category:

Click to view products by [TE Connectivity](#) manufacturer:

Other Similar products are found below :

[89674-0712](#) [F702RX24](#) [FERRULE-174](#) [R141802000](#) [R141805000](#) [R141842000](#) [R161862000](#) [R161862000W](#) [R280752000](#) [R280907000](#)
[R694261906](#) [RFI21-13](#) [RFI75-13-D2](#) [RFI75-4-D2](#) [AX102906](#) [AX102907](#) [18097-0013](#) [HP-375](#) [HP-500](#) [2098-0294-00](#) [2098-3251-94](#) [KA-](#)
[81-05](#) [89674-0805](#) [F1](#) [FERRULE-223](#) [202102-11](#) [213337-1](#) [220222-2](#) [24092671A](#) [24092678A](#) [R161841000](#) [R280468000](#) [R280510000](#)
[R282862060](#) [RFI155-1](#) [RFI25-12-D3](#) [RFI25-5](#) [RFI25-5-D3](#) [RFI75-12-D2](#) [RFI75-2-D2](#) [RFI75-4-D3](#) [RFI77-6](#) [RFI97-14](#)
[360HS001M2508M6](#) [4-1532137-4](#) [5-21085-0](#) [105274-1000](#) [111062-0490](#) [112122-SOD-LUG](#) [112-NUT-KNURL](#)