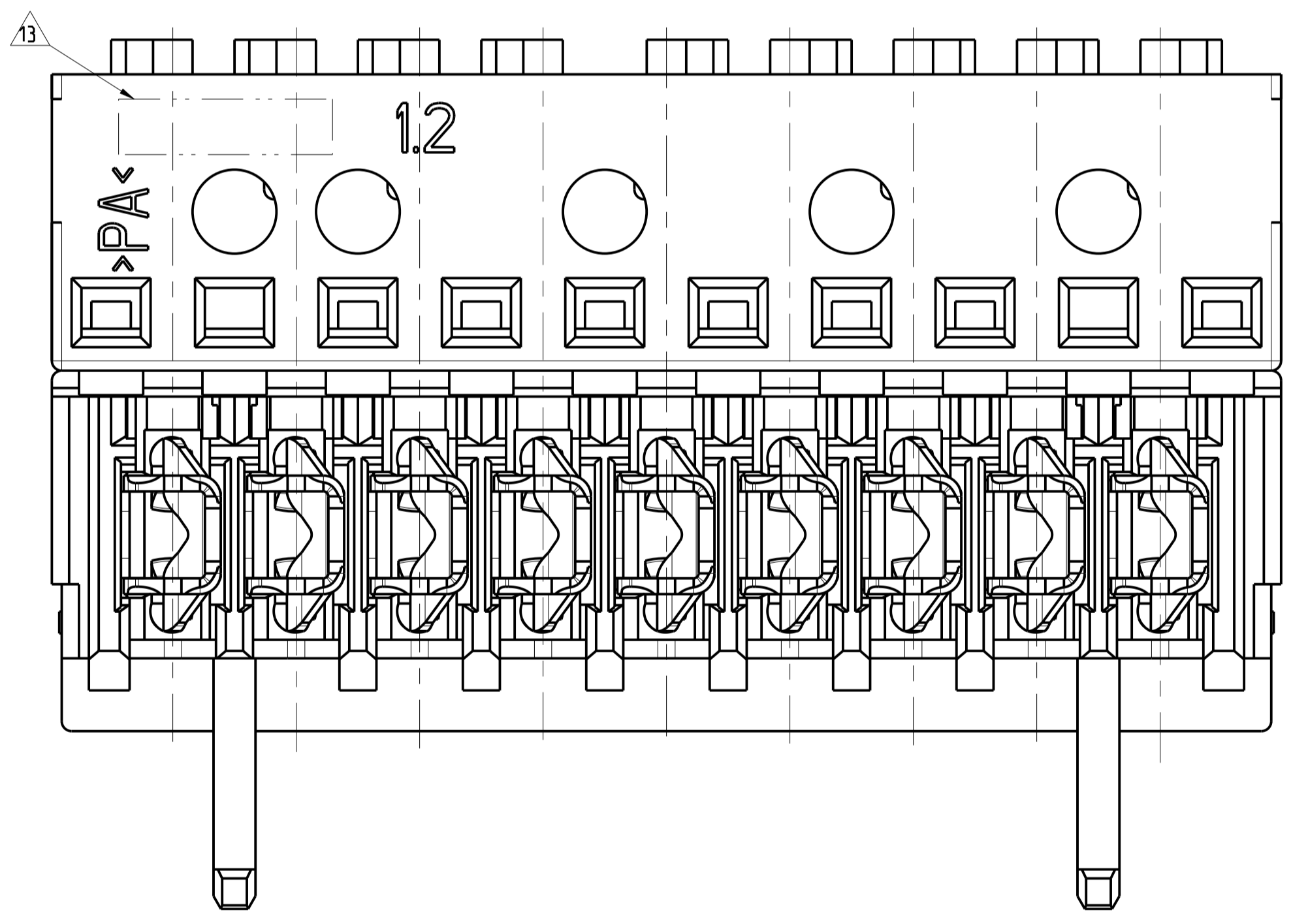
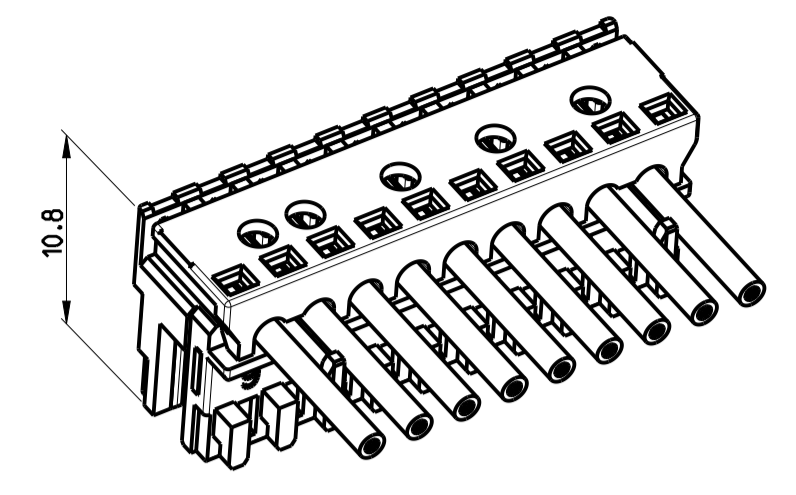
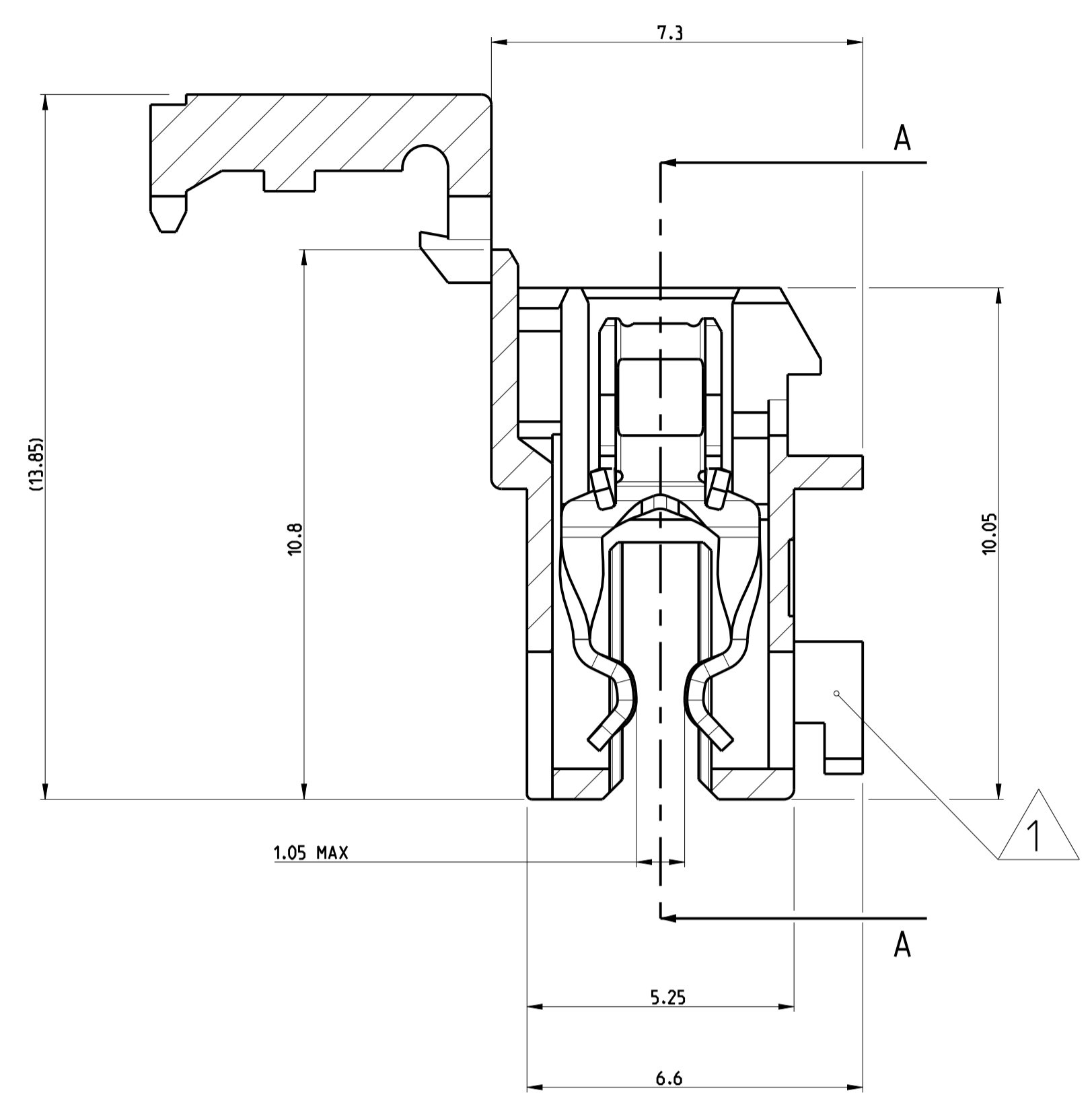
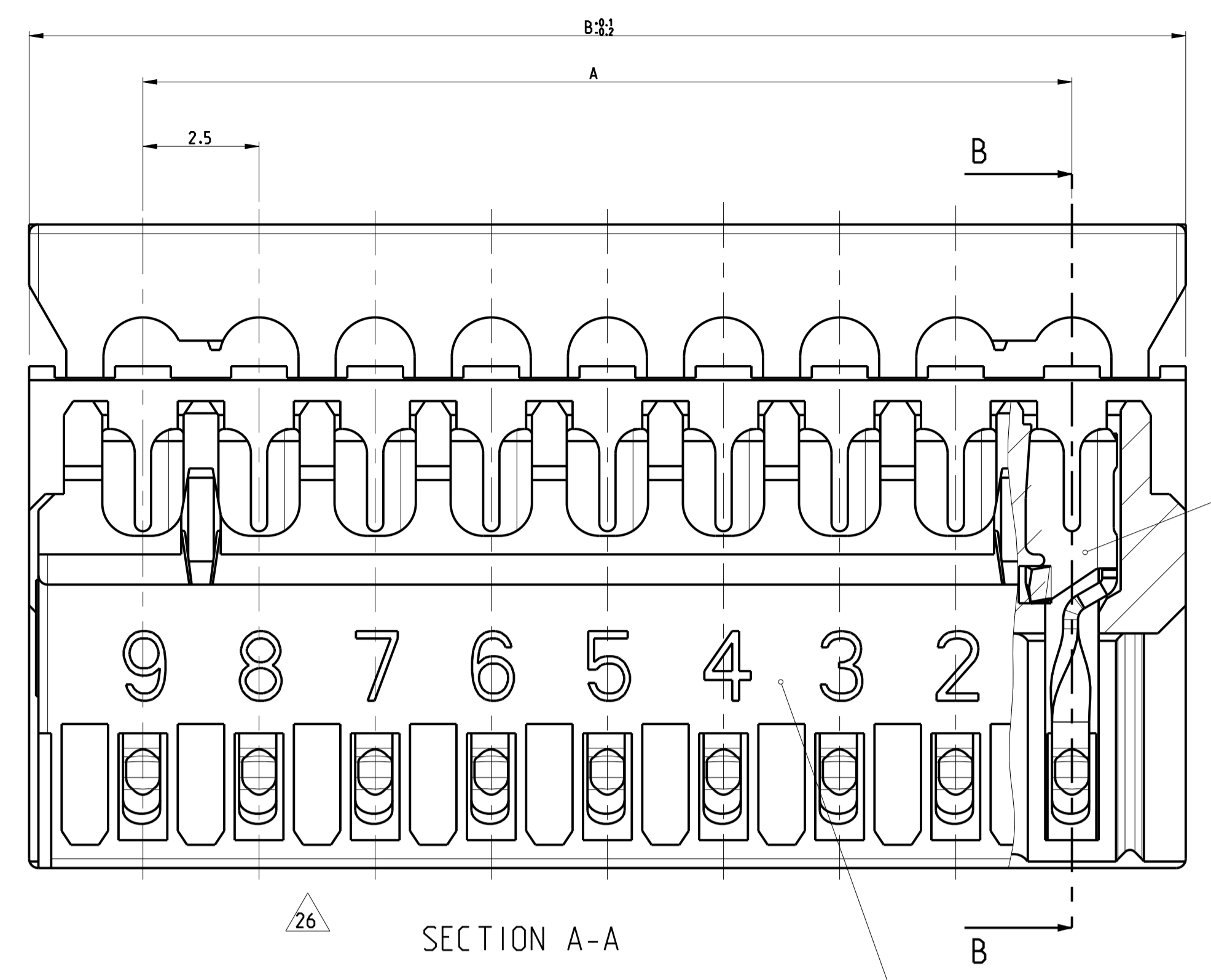
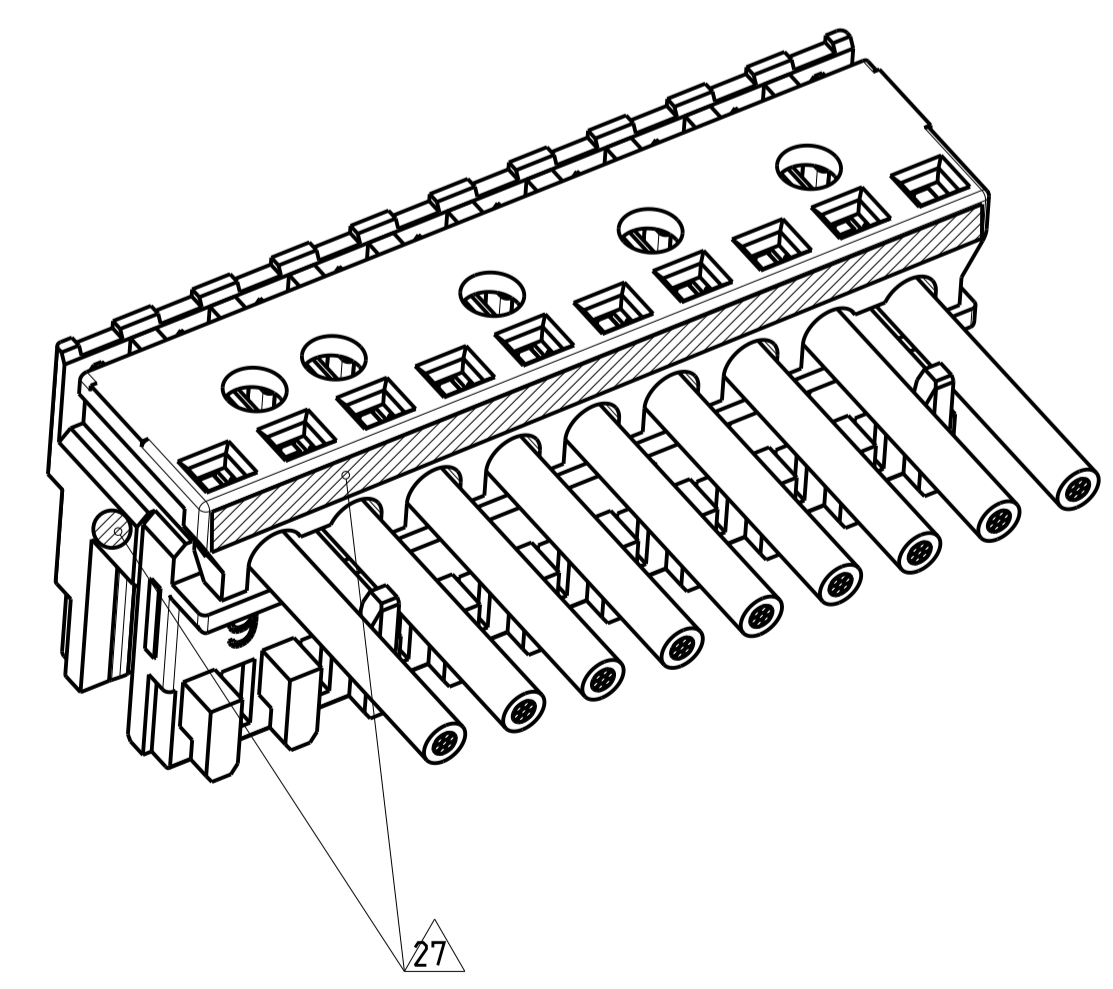


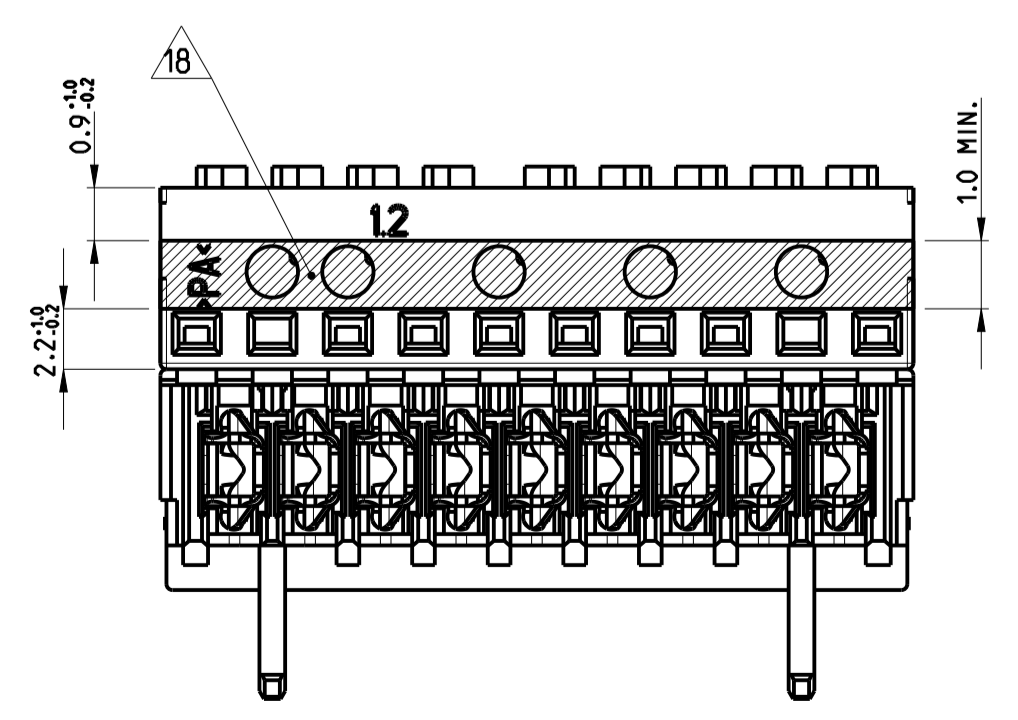
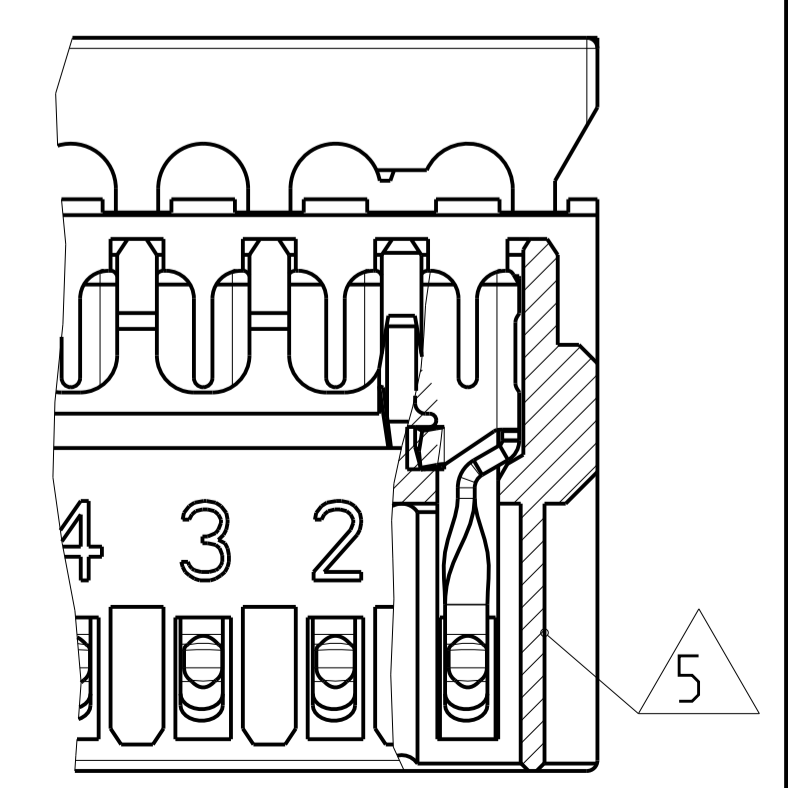
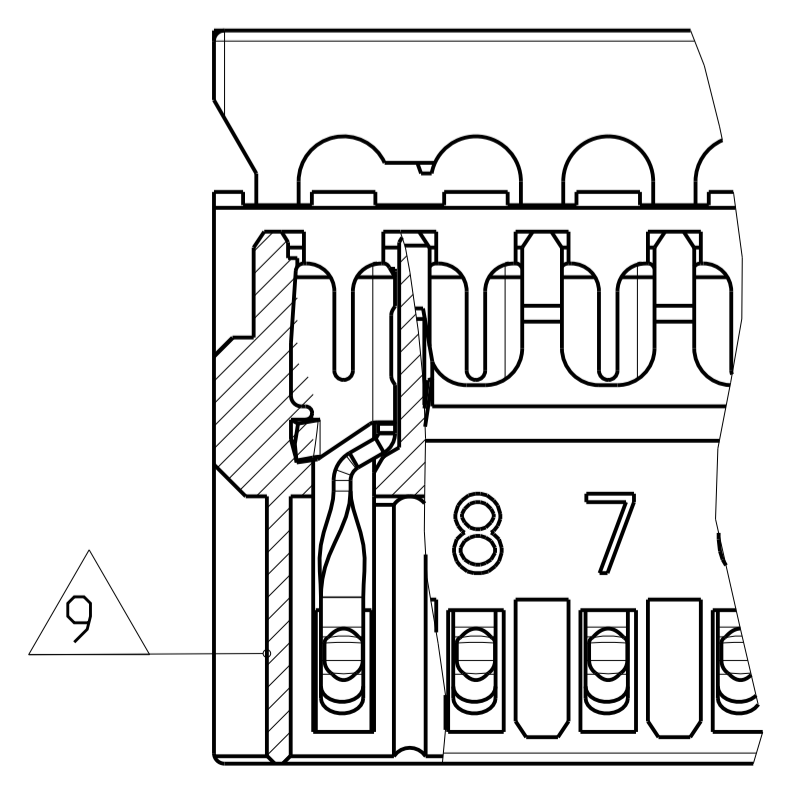
LOC	DIST	REVISIONS					
		P	LTR	DESCRIPTION	DATE	DWN	APVD
D61	-	ECR-20-100430			09SEP2020	LZ	FL
D62	-	ECR-20-100576			21OCT2020	PJ	FL
D63	-	ECR-20-100617			05NOV2020	WW	FL
D64	-	ECR-20-100905			27NOV2020	SM	FL



SECTION B-B



- 27 DOT OR STRIPE IN ORANGE COLOR WHERE SHOWN. PRESENT ON THE PARTS PRODUCED IN TE COLLEGO ONLY
- 26 DIMENSION AVAILABE ONLY FOR PART X-2304525-X, X-2304526-X.
- 25 WITH SPECIAL CHAIN FEATURE
- 24 SIDE KEYING ON LAST CAVITY. THICK-1.5mm
- 23 -
- 19 SIDE KEYING. THICK. ON CAVITY No.1
- 18 COLOR STRIP ON COVER OF HOUSING. NOT THE COLOR OF HOUSING.
- 17 SLOT FOR KEYING. SLIM. BETWEEN POSITION
- 16 SLOT FOR KEYING. THICK. BETWEEN POSITION
- 15 KEYING. THICK. BETWEEN POSITION
- 14 COLOR CODE
- 13 TE LOGO
- 12 PRELIMINARY PART NOT RELEASED FOR PRODUCTION
- 11 KEYING. SLIM. BETWEEN POSITION
- 10 SLOT FOR SIDE KEYING. ON LAST CAVITY
- 9 SIDE KEYING. SLIM. ON LAST CAVITY
- 8 INCLUSIVE COPPER LOADING
- 7 PCB PREFERABLY CHAMFERED
- 6 SLOT FOR SIDE KEYING. ON CAVITY NO 1
- 5 SIDE KEYING. ON CAVITY NO. 1
- 4 WIRE RANGE: 0.22-0.35mm² SEE APPLICATION SPEC. 114-18467
- 3 IEC 60695-2-11 / IEC 60335-1 GLOW WIRE TEST 750 °C WITHOUT FLAME
- 2 MATING PART: PCB (WITH FRAMES ACC. RAST 2.5 E.G. PN 964 575/576) TAB HEADER (FOR EXAMPLE: X-1971817/818-Y)
- 1 KEYING RIBS: CUTTING WITH TERMINATION MACHINE POSSIBLE



THIS DRAWING IS A CONTROLLED DOCUMENT.		DWN: H. Karabiyik 24MAY2002	TE Connectivity
		CHK: B. Schnaubel 24MAY2002	
DIMENSIONS: mm		APVD: T. Klenner 24MAY2002	NAME: AMP DUOPLUG 2.5 MARK II FEMALE CONNECTOR 2-20 POSITION
TOLERANCES UNLESS OTHERWISE SPECIFIED: 0 PLC ±0.2 1 PLC ±0.2 2 PLC ±0.2 3 PLC ±0.2 4 PLC ±0.2 ANGLES ±°		PRODUCT SPEC: 108-18785	SIZE: 114-18467
MATERIAL: -		APPLICATION SPEC: 114-18467	RESTRICTED TO: -
FINISH: -		WEIGHT: -	SCALE: 10:1
		Customer Drawing	SHEET 1 OF 4
		Customer Drawing	REV: 064


LOC	DIST	REVISIONS					
		P	LTR	DESCRIPTION	DATE	DWN	APVD
A1	-			SEE SHEET 1			

GWEPT 750°C NO FLAME & UL94-V2, TIN PLATED VERSION (2-9 POSITION)									
	9	20	24.9						5-1534796-9
	9	20	24.9						2-1534796-9 ¹²
	9	20	24.9						3-1534796-9
	9	20	24.9						4-1534796-9 ¹²
Brown	8	17.5	22.4						9-1534796-8
	8	17.5	22.4						8-1534796-8
	8	17.5	22.4						7-1534796-8
	8	17.5	22.4						6-1534796-8
	8	17.5	22.4						5-1534796-8
	8	17.5	22.4						3-1534796-8
	8	17.5	22.4						2-1534796-8
	7	15	19.9						7-1534796-7
BLUE	7	15	19.9						6-1534796-7
BLUE	7	15	19.9						4-1534796-7 ¹²
	7	15	19.9						5-1534796-7 ¹²
	7	15	19.9						3-1534796-7
	6	12.5	17.4						9-1534796-6
	6	12.5	17.4						8-1534796-6 ¹²
	6	12.5	17.4						7-1534796-6 ¹²
	6	12.5	17.4						6-1534796-6
BLUE	6	12.5	17.4						2-1534796-6
	6	12.5	17.4						5-1534796-6
	6	12.5	17.4						4-1534796-6
	6	12.5	17.4						3-1534796-6
RED	5	10	14.9						8-1534796-5
	5	10	14.9						9-1534796-5
	5	10	14.9						4-1534796-5 ¹²
GREEN	5	10	14.9						7-1534796-5
BROWN	5	10	14.9						6-1534796-5
	5	10	14.9						5-1534796-5 ¹²
	5	10	14.9						3-1534796-5
BROWN	5	10	14.9						0-1534796-5 ¹²
GREEN	4	7.5	12.4						1-2825353-4
	4	7.5	12.4						0-2825353-4 ¹²
RED	4	7.5	12.4						9-1534796-4
BLACK	4	7.5	12.4						8-1534796-4
BLACK	4	7.5	12.4						2-1534796-4 ¹²
BLACK	4	7.5	12.4						5-1534796-4
	4	7.5	12.4						6-1534796-4
	4	7.5	12.4						1534796-4 ¹²
	4	7.5	12.4						7-1534796-4 ¹²
	4	7.5	12.4						4-1534796-4
	4	7.5	12.4						3-1534796-4
RED	3	5	9.9						2-1534796-3
	3	5	9.9						8-1534796-3 ¹²
RED	3	5	9.9						9-1534796-3
	3	5	9.9						6-1534796-3
	3	5	9.9						7-1534796-3
	3	5	9.9						4-1534796-3 ¹²
	3	5	9.9						3-1534796-3
	2	2.5	7.4						1-1534796-2
	2	2.5	7.4						1534796-2

GWEPT 750°C NO FLAME & UL94-V2, TIN PLATED VERSION (10-20 POSITION)										
	20	47.5	52.4							3-1534797-0 ¹²
	19	45	49.9							5-1534797-9 ¹²
	19	45	49.9							4-1534797-9
	19	45	49.9							3-1534797-9
	16	37.5	42.4							3-1534797-6
	15	35	39.9							3-1534797-5
	14	32.5	37.4							3-1534797-4
	13	30	34.9							3-1534797-3
	12	27.5	32.4							5-1534797-2 ¹²
	12	27.5	32.4							4-1534797-2
	12	27.5	32.4							3-1534797-2
	12	27.5	32.4							2-1534797-2
	11	25	29.9							7-1534797-1
	11	25	29.9							6-1534797-1 ¹²
	11	25	29.9							5-1534797-1 ¹²
	11	25	29.9							4-1534797-1
	11	25	29.9							3-1534797-1
	10	22.5	27.4							6-1534796-0
	10	22.5	27.4							4-1534796-0 ¹²
	10	22.5	27.4							3-1534796-0
	10	22.5	27.4							7-1534796-0

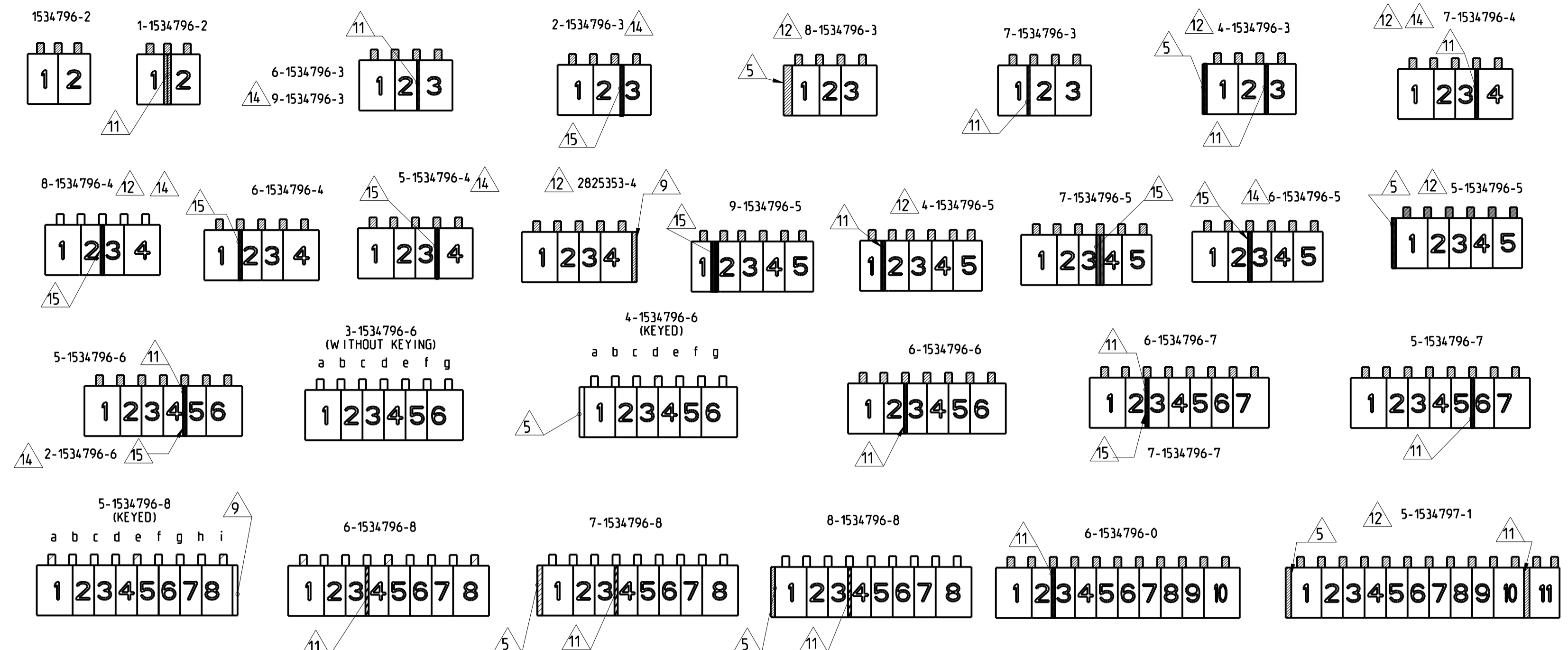
COLOR CODE ¹⁴	POS.	DIM A	DIM B	²⁴ KEYING	¹⁹ KEYING	¹⁵ KEYING	¹¹ KEYING	⁹ KEYING	⁵ KEYING	TE P/N ²⁰
2	SEE TABLE									CONTACT CuSn TINNED
1	SEE TABLE									HOUSING HIGH TEMP PLASTIC ³ NATUR
SL NO	PN	DESCRIPTION	MATERIAL	COLOUR/FINISH						

COLOR CODE ¹⁴	POS.	DIM A	DIM B	²⁴ KEYING	¹⁹ KEYING	¹⁵ KEYING	¹¹ KEYING	⁹ KEYING	⁵ KEYING	TE P/N ²⁰
2	SEE TABLE									CONTACT CuSn TINNED
1	SEE TABLE									HOUSING HIGH TEMP PLASTIC ³ NATUR
SL NO	PN	DESCRIPTION	MATERIAL	COLOUR/FINISH						

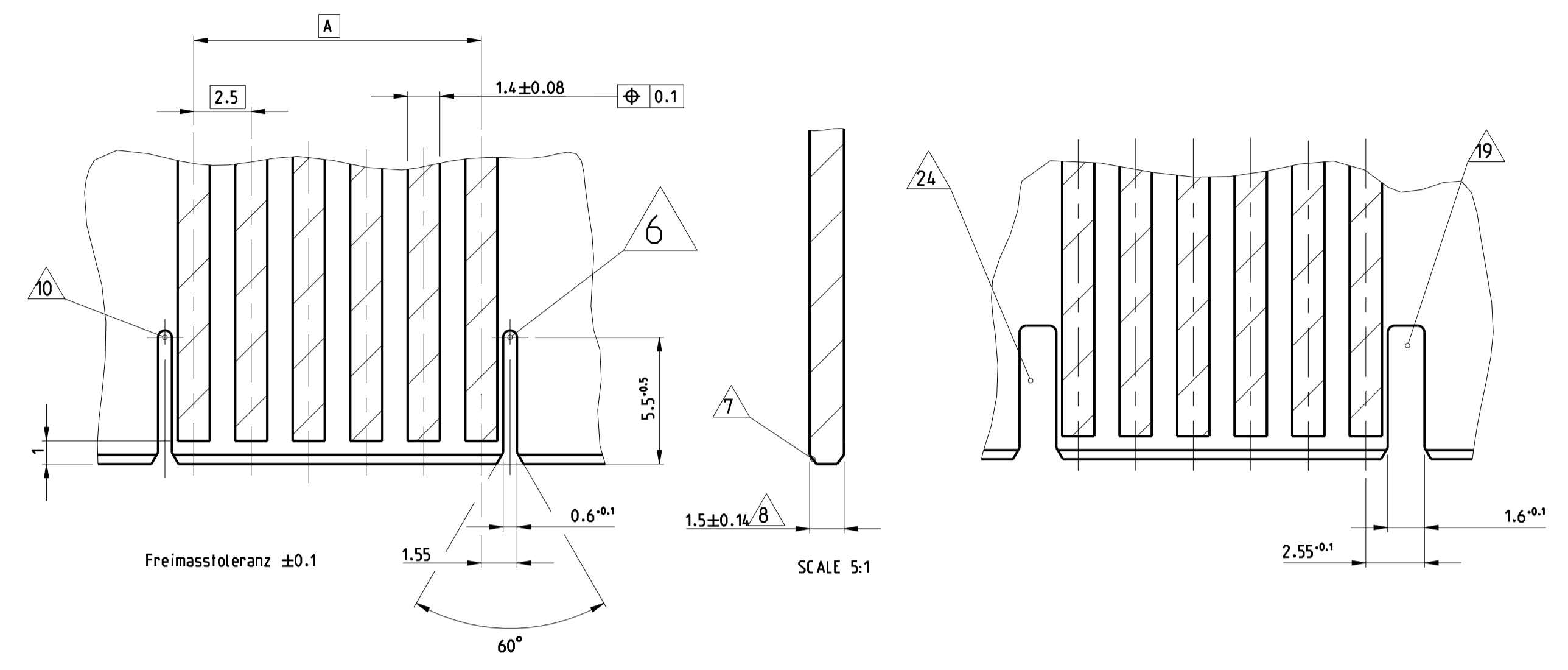
THIS DRAWING IS A CONTROLLED DOCUMENT.		DWN H. Karabiyik 24MAY2002	24MAY2002		TE Connectivity	
DIMENSIONS: mm		CHK B. Schnaubel 24MAY2002	24MAY2002		NAME AMP DUOPLUG 2.5 MARK II FEMALE CONNECTOR 2-20 POSITION	
TOLERANCES UNLESS OTHERWISE SPECIFIED:		APVD T. Klenner 24MAY2002		PRODUCT SPEC 108-18785		
0 PLC ±0.2				APPLICATION SPEC 116-18667		
1 PLC ±0.2				SIZE A1		
2 PLC ±0.2				CAGE CODE 00779		
3 PLC ±0.2				DRAWING NO C=1534796		
4 PLC ±0.2				RESTRICTED TO -		
ANGLES ±				WEIGHT -		
FINISH ±				Customer Drawing		
MATERIAL -				SCALE 10:1		
FINISH -				SHEET 2 OF 4		
				REV 064		

LOC	DIST	REV	DESCRIPTION	DATE	BY	APPV
A1	-	-	SEE SHEET 1	-	-	-

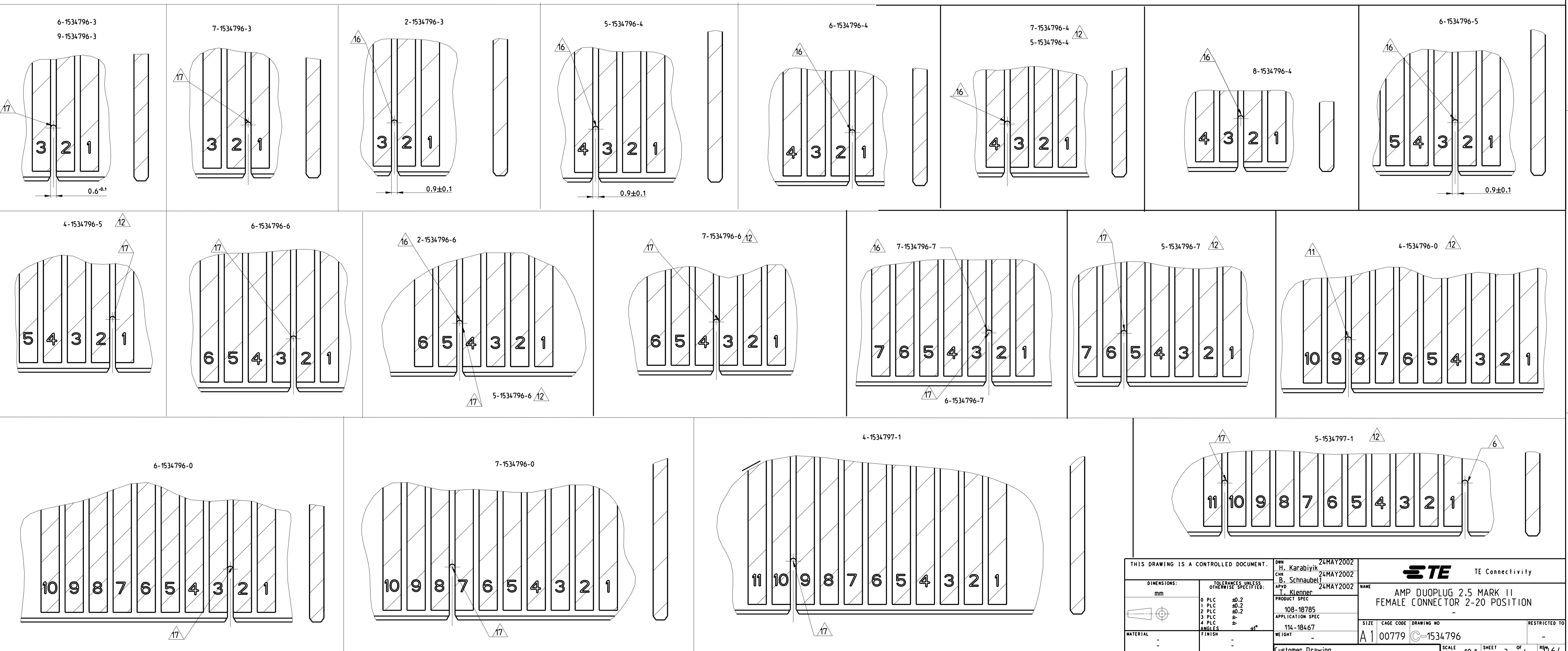
KEYING PLAN (EXAMPLES)
 Kodierschema (Beispiele)



PCB LAYOUT KEYED / CONNECTED ONLY WITH ADDITIONAL FRAME
 Leiterplattenanschluss kodiert / nur in Verbindung mit zusätzlichem Rahmen



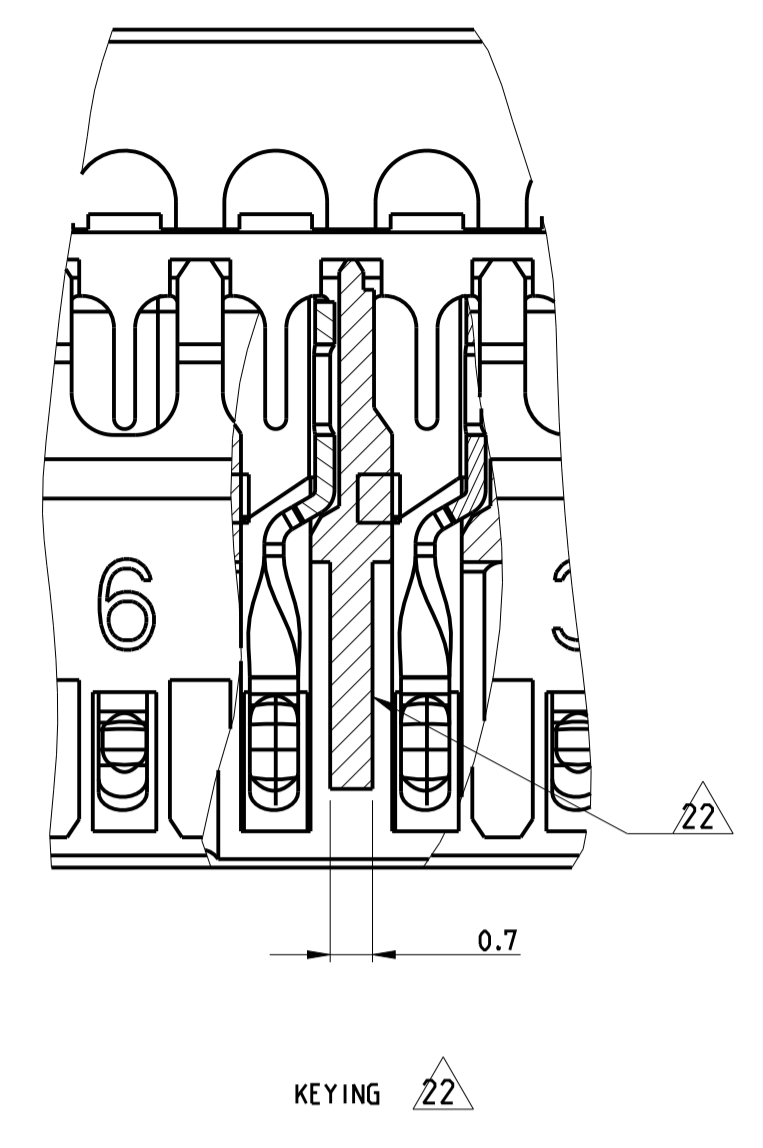
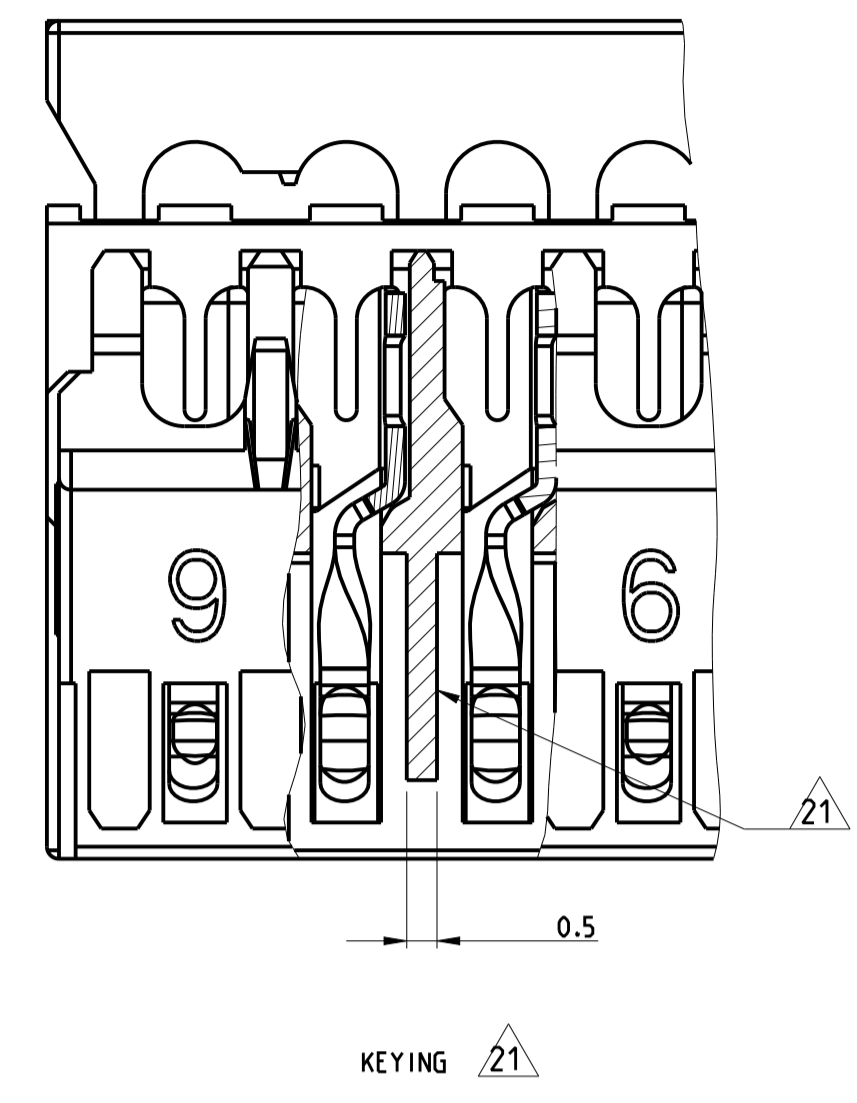
PCB LAYOUT FOR KEYING BETWEEN POSITION



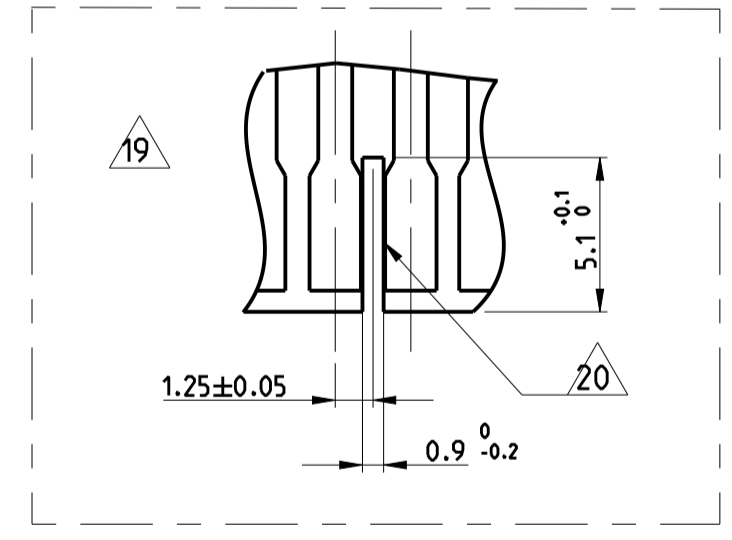
THIS DRAWING IS A CONTROLLED DOCUMENT.

DIMENSIONS:	TOLERANCES UNLESS OTHERWISE SPECIFIED:	OWN: H. Karabiyik 24MAY2002	TE Connectivity
mm	0 PLC ±0.2	CHK: B. Schnaubel 24MAY2002	NAME: AMP DUOPLUG 2.5 MARK 11 FEMALE CONNECTOR 2-20 POSITION
	1 PLC ±0.2	APPV: T. Klenner 24MAY2002	SIZE: CAGE CODE DRAWING NO. RESTRICTED TO
	2 PLC ±0.2		A1 00779 C=1534796
	3 PLC ±0.2		SCALE: 10:1 SHEET 3 OF 4
	4 PLC ±0.2		Customer Drawing
MATERIAL:	FINISH:	WEIGHT:	REVISION: U64

LOC	DIST	REVISIONS					
		P	LTR	DESCRIPTION	DATE	DWN	APVD
A1	-	-	-	SEE SHEET 1	-	-	-



- 22 KEYING, SPECIAL THICK, BETWEEN POSITION
- 21 KEYING, SPECIAL THIN, BETWEEN POSITION
- 20 SLOT FOR KEYING SPECIAL, BETWEEN POSITION
- 19 RECOMMENDED PCB CUTOFF DIMENSION FOR THE KEYING SPECIAL, BETWEEN POSITION



GWEPT 750°C NO FLAME & UL94-V0, TIN PLATED VERSION									
Color Code	POS. Polzahl	DIM A	DIM B	11 KEYING	15 KEYING	22 KEYING	21 KEYING	5 KEYING	PN Bestell-Nr.
	14	32.5	37.4						2304526-4 12
	12	27.5	32.4						2304526-2
	10	22.5	27.4						1-2304525-0
	9	20	24.9	-	-	-	-		3-2304525-9
Blue	8	17.5	22.4	-	-	-	-		2-2304525-8
	8	17.5	22.4	-	-	-	-		1-2304525-8
Brown	8	17.5	22.4	-	-	-	2/3		2304525-8
	7	15	19.9	-	-	-	-		2304525-7
Black	6	12.5	17.4	-	-	-	-		4-2304525-6
GREEN	6	12.5	17.4	-	-	-	1/2		3-2304525-6
Red	6	12.5	17.4	-	-	-	2/3		2-2304525-6
	6	12.5	17.4	-	-	-	-		1-2304525-6
Blue	6	12.5	17.4	-	-	-	4/5		2304525-6
	5	10	14.9	4/5					5-2304525-5
	5	10	14.9		1/2	-	-		4-2304525-5
Green	5	10	14.9	-	-	-	3/4		2-2304525-5
Brown	5	10	14.9	-	-	-	2/3		1-2304525-5
	5	10	14.9	-	-	-	-		2304525-5
Black	4	7.5	12.4	-	3/4	-	-		4-2304525-4
Blue	4	7.5	12.4	-	-	-	-		3-2304525-4
	4	7.5	12.4	-	-	-	-		2-2304525-4
Brown	4	7.5	12.4	-	-	-	1/2		1-2304525-4
Black	4	7.5	12.4	-	-	-	3/4		2304525-4
Red	3	5	9.9		2/3				3-2304525-3
	3	5	9.9					X	2-2304525-3 12
	3	5	9.9	-	-	-	-		1-2304525-3
Black	3	5	9.9	-	-	1/2	-		2304525-3

2	SEE TABLE	CONTACT	CuSn	TINNED
1		HOUSING	HIGH TEMP PLASTIC 3	NATUR
SL NO	PN	DESCRIPTION	MATERIAL	COLOUR/FINISH

THIS DRAWING IS A CONTROLLED DOCUMENT.		DWN: H. Karabiyik 24MAY2002	
		CHK: B. Schnaubel 24MAY2002	
DIMENSIONS: mm		APVD: T. Klenner 24MAY2002	NAME: AMP DUOPLUG 2.5 MARK II FEMALE CONNECTOR 2-20 POSITION
		TOLERANCES UNLESS OTHERWISE SPECIFIED:	PRODUCT SPEC: 108-18785
		0 PLC ±0.2	APPLICATION SPEC: 116-18667
		1 PLC ±0.2	WEIGHT: -
		2 PLC ±0.2	Customer Drawing
		3 PLC ±0.2	SCALE: 10:1
		4 PLC ±0.2	SHEET: 4 OF 4
		ANGLES ±0.1°	REVISION: U64
		FINISH ±0.1	
MATERIAL: -			

X-ON Electronics

Largest Supplier of Electrical and Electronic Components

Click to view similar products for [Headers & Wire Housings](#) category:

Click to view products by [TE Connectivity](#) manufacturer:

Other Similar products are found below :

[892-18-020-10-001101](#) [58102-G61-06LF](#) [582553-1](#) [0009485154](#) [009176003701906](#) [0050291907](#) [LY20-4P-DT1-P1E-BR](#) [02.125.8002.8](#)
[609-3404](#) [61062-3](#) [61082-181009](#) [622-3653LF](#) [63453-116](#) [636-1030](#) [636-1427](#) [636-3427](#) [636-4007](#) [641938-9](#) [641991-4](#) [644827-2](#) [65817-](#)
[010LF](#) [65817-015LF](#) [65863-015LF](#) [66207-023LF](#) [67095-007LF](#) [67601157](#) [68645-018](#) [68648-049](#) [70.362.1628.0](#) [70-4210](#) [70-4226B](#) [70-](#)
[4853B](#) [707-5020](#) [707-5028](#) [71.350.2428.0](#) [71918-208LF](#) [71961-016LF](#) [733-134](#) [733-162](#) [754199-000](#) [760-3052](#) [787-8014-00](#) [79531-3000](#)
[FCN-360C032-B](#) [FCN-367T-T012/H](#) [FCN-723D010/2](#) [80.063.4001.1](#) [800-90-001-10-001000](#) [800-90-010-10-002000](#) [801-43-002-10-013000](#)