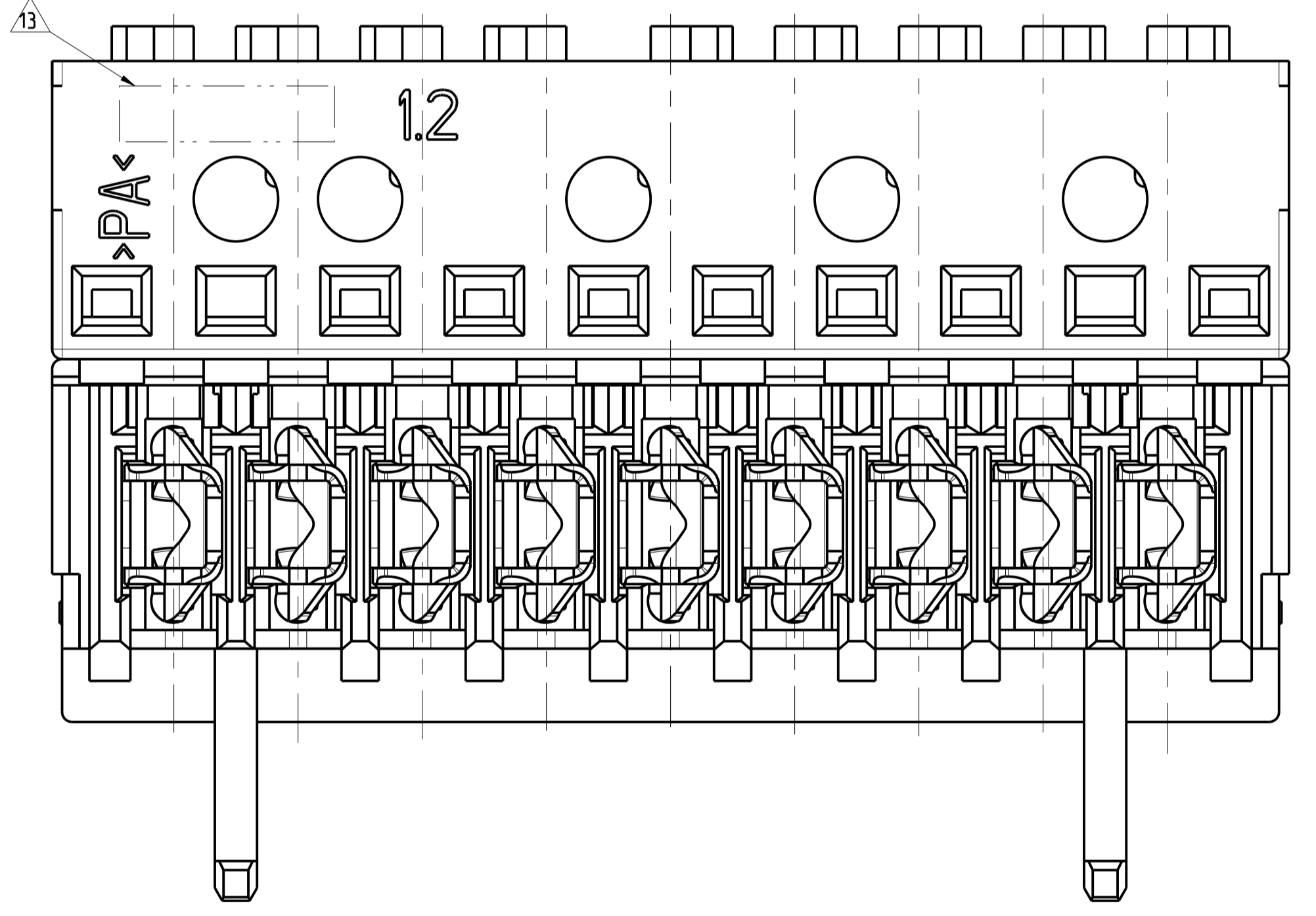
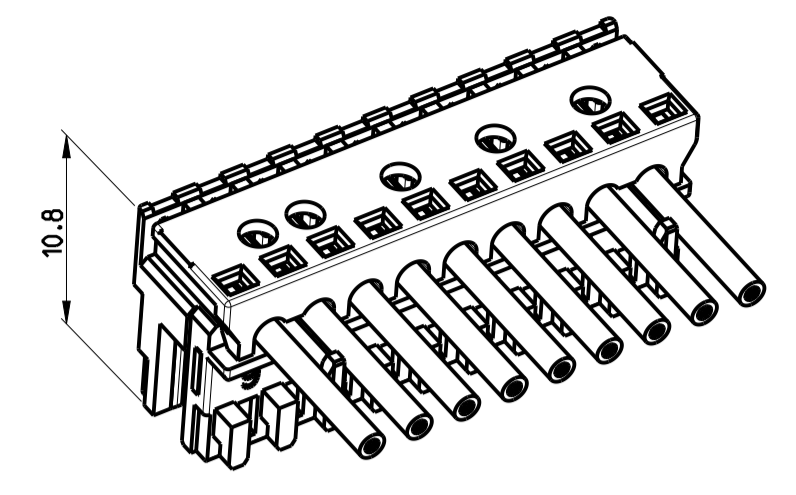
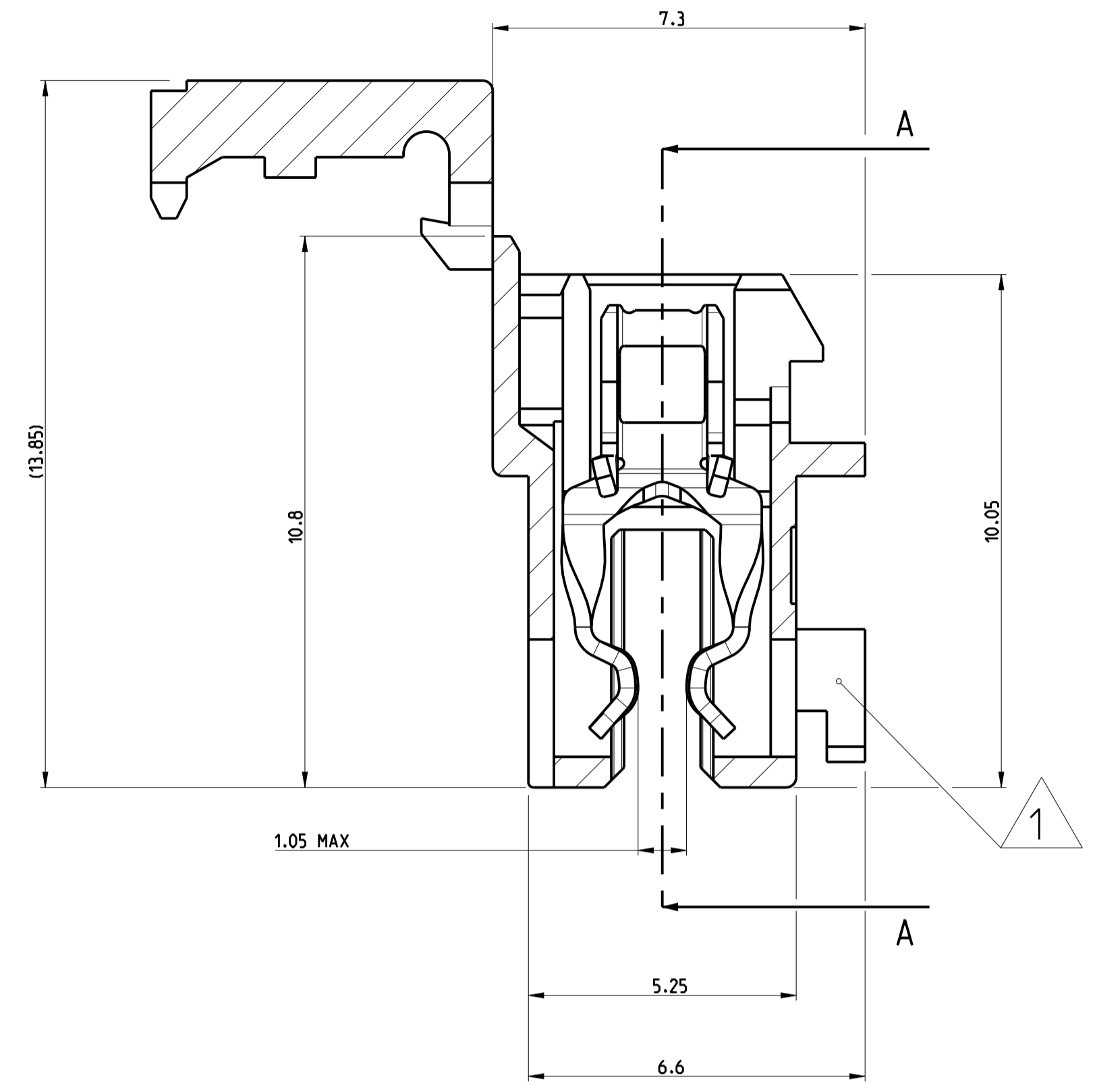
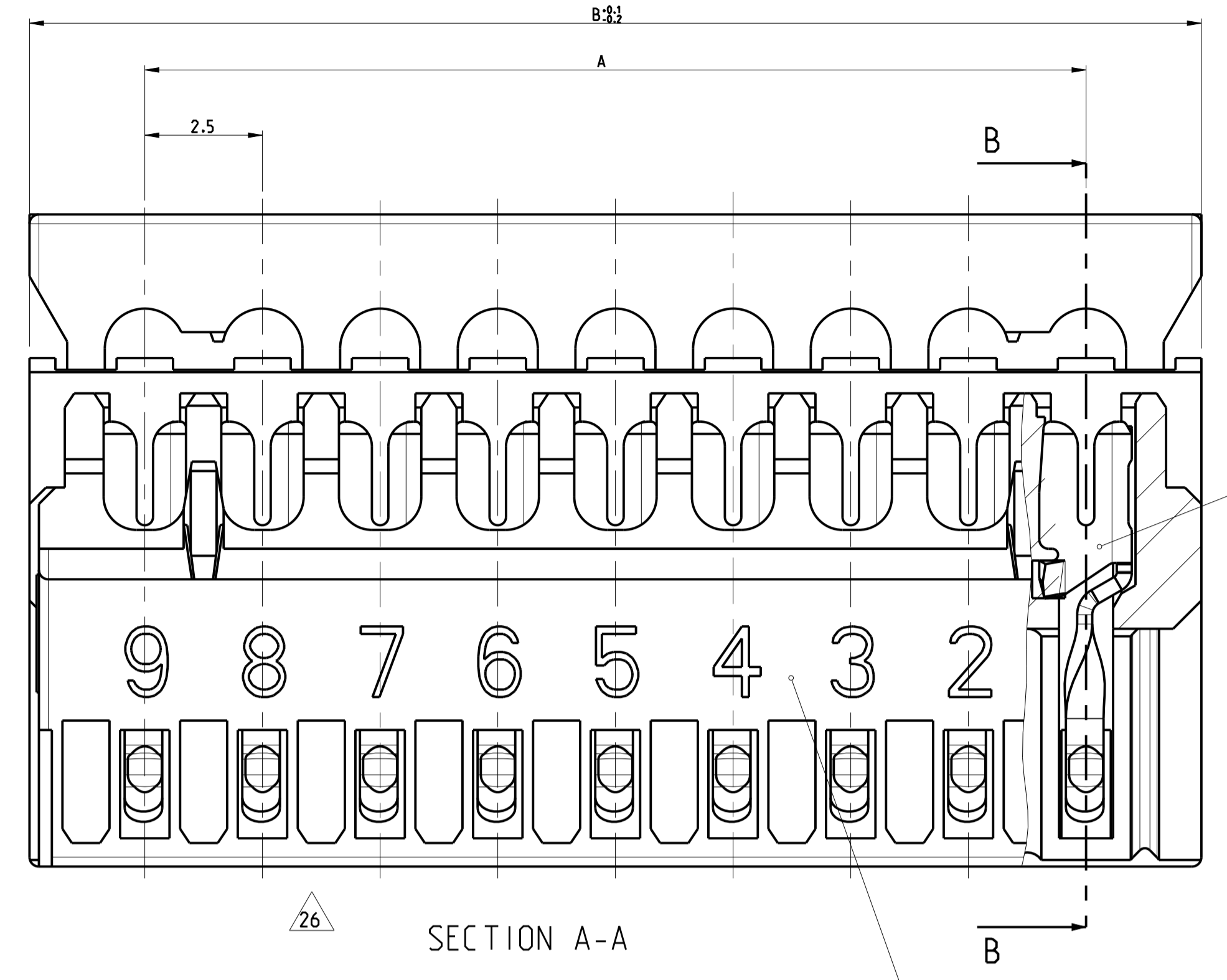
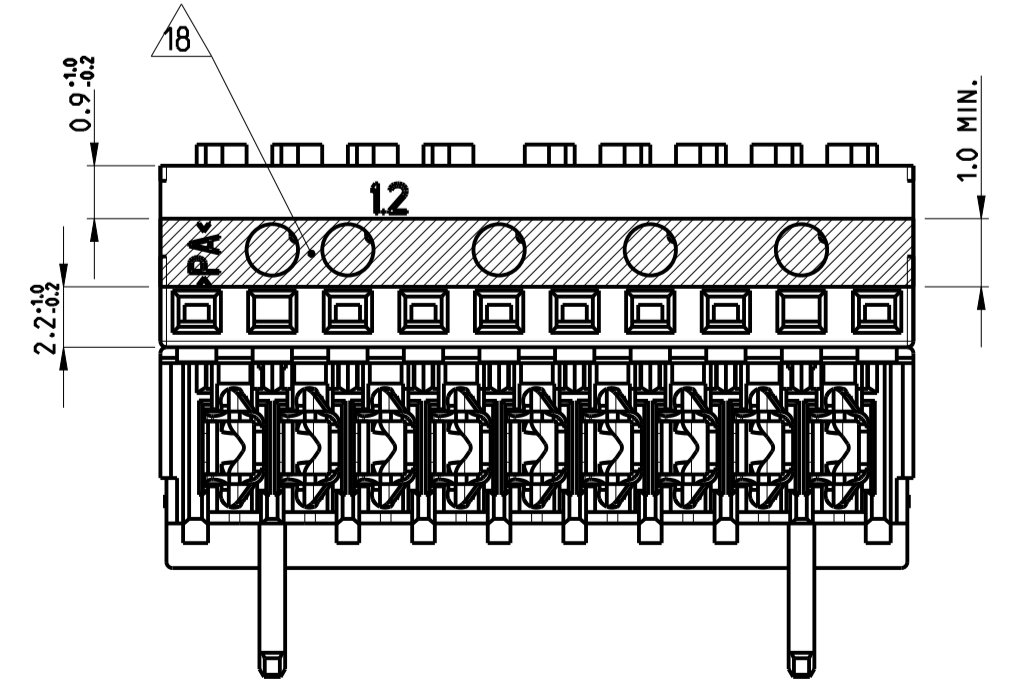
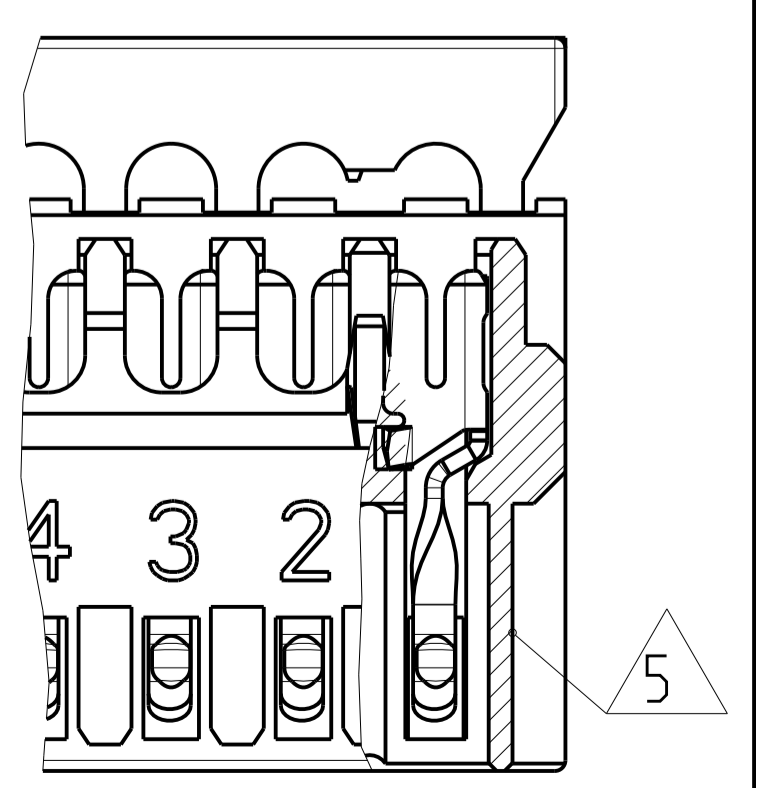
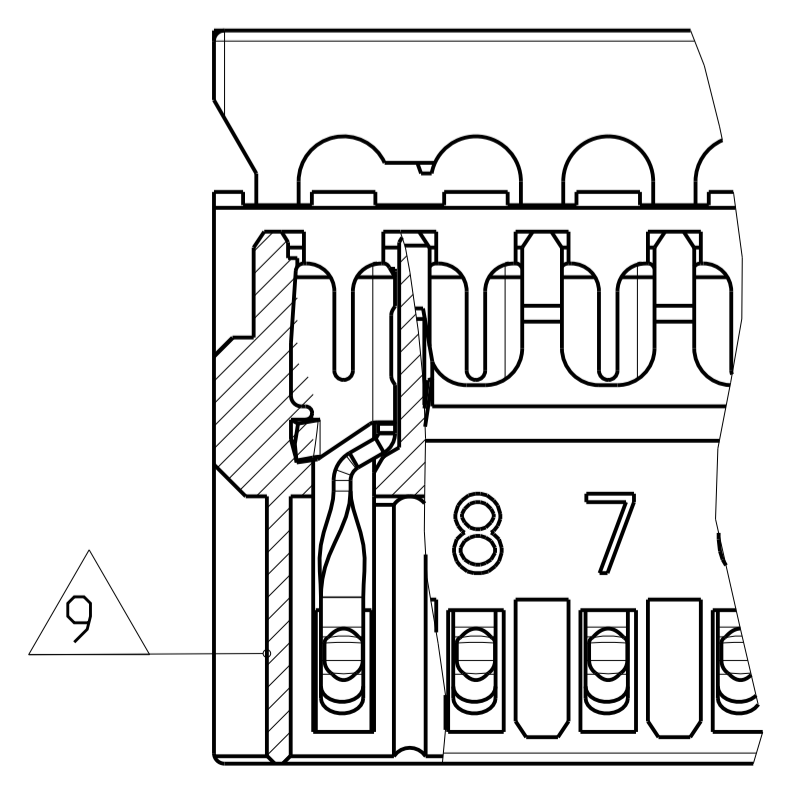
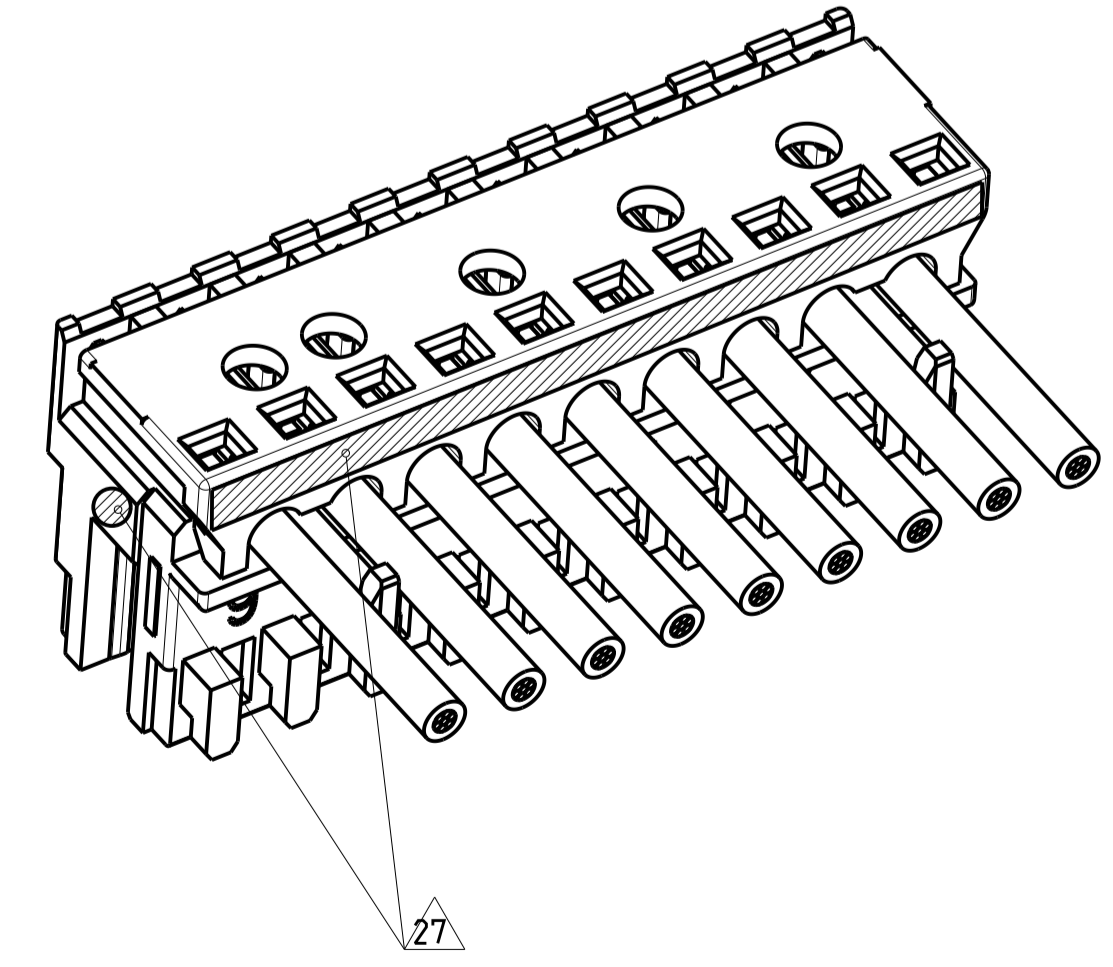


| LOC | DIST | REVISIONS     |     |             |           |     |      |
|-----|------|---------------|-----|-------------|-----------|-----|------|
|     |      | P             | LTR | DESCRIPTION | DATE      | DWN | APVD |
| D61 | -    | ECR-20-100430 |     |             | 09SEP2020 | LZ  | FL   |
| D62 | -    | ECR-20-100576 |     |             | 21OCT2020 | PJ  | FL   |
| D63 | -    | ECR-20-100617 |     |             | 05NOV2020 | W W | FL   |
| D64 | -    | ECR-20-100905 |     |             | 27NOV2020 | SM  | FL   |



SECTION B-B

- 27 DOT OR STRIPE IN ORANGE COLOR WHERE SHOWN. PRESENT ON THE PARTS PRODUCED IN TE COLLEGO ONLY
- 26 DIMENSION AVAILABE ONLY FOR PART X-2304525-X, X-2304526-X.
- 25 WITH SPECIAL CHAIN FEATURE
- 24 SIDE KEYING ON LAST CAVITY. THICK-1.5mm
- 23 -
- 19 SIDE KEYING. THICK. ON CAVITY No.1
- 18 COLOR STRIP ON COVER OF HOUSING. NOT THE COLOR OF HOUSING.
- 17 SLOT FOR KEYING. SLIM. BETWEEN POSITION
- 16 SLOT FOR KEYING. THICK. BETWEEN POSITION
- 15 KEYING. THICK. BETWEEN POSITION
- 14 COLOR CODE
- 13 TE LOGO
- 12 PRELIMINARY PART NOT RELEASED FOR PRODUCTION
- 11 KEYING. SLIM. BETWEEN POSITION
- 10 SLOT FOR SIDE KEYING. ON LAST CAVITY
- 9 SIDE KEYING. SLIM. ON LAST CAVITY
- 8 INCLUSIVE COPPER LOADING
- 7 PCB PREFERABLY CHAMFERED
- 6 SLOT FOR SIDE KEYING. ON CAVITY NO 1
- 5 SIDE KEYING. ON CAVITY NO. 1
- 4 WIRE RANGE: 0.22-0.35mm<sup>2</sup> SEE APPLICATION SPEC. 114-18467
- 3 IEC 60695-2-11 / IEC 60335-1 GLOW WIRE TEST 750 °C WITHOUT FLAME
- 2 MATING PART: PCB (WITH FRAMES ACC. RAST 2.5 E.G. PN 964 575/576) TAB HEADER (FOR EXAMPLE: X-1971817/818-Y)
- 1 KEYING RIBS: CUTTING WITH TERMINATION MACHINE POSSIBLE



|   |  |                             |  |
|---|--|-----------------------------|--|
| THIS DRAWING IS A CONTROLLED DOCUMENT.  |  | DWN: H. Karabiyik 24MAY2002 | TE Connectivity  |
|   |  | CHK: B. Schnaubel 24MAY2002 |  |
| DIMENSIONS: mm  |  | APVD: T. Klenner 24MAY2002  | NAME: AMP DUOPLUG 2.5 MARK II FEMALE CONNECTOR 2-20 POSITION |
| TOLERANCES UNLESS OTHERWISE SPECIFIED:<br>0 PLC ±0.2<br>1 PLC ±0.2<br>2 PLC ±0.2<br>3 PLC ±0.2<br>4 PLC ±0.2<br>ANGLES ±° |  | PRODUCT SPEC: 108-18785     | SIZE: 114-18467  |
| MATERIAL: -   |  | APPLICATION SPEC: 114-18467 | RESTRICTED TO: -   |
| FINISH: -   |  | WEIGHT: -                   | SCALE: 10:1  |
|   |  | Customer Drawing            | SHEET 1 OF 4   |
|   |  | Customer Drawing            | REV: 064   |

| LOC | DIST | REVISIONS |     |             |      |     |      |
|-----|------|-----------|-----|-------------|------|-----|------|
|     |      | P         | LTR | DESCRIPTION | DATE | DWN | APVD |
| A1  | -    |           |     | SEE SHEET 1 |      |     |      |

| GWEPT 750°C NO FLAME & UL94-V2, TIN PLATED VERSION (2-9 POSITION) |   |      |      |  |  |  |  |  |                           |
|---|---|------|------|--|--|--|--|--|---------------------------|
|   |   |      |      |  |  |  |  |  |                           |
|   | 9 | 20   | 24.9 |  |  |  |  |  | 5-1534796-9               |
|   | 9 | 20   | 24.9 |  |  |  |  |  | 2-1534796-9 <sup>12</sup> |
|   | 9 | 20   | 24.9 |  |  |  |  |  | 3-1534796-9               |
|   | 9 | 20   | 24.9 |  |  |  |  |  | 4-1534796-9 <sup>12</sup> |
| Brown   | 8 | 17.5 | 22.4 |  |  |  |  |  | 9-1534796-8               |
|   | 8 | 17.5 | 22.4 |  |  |  |  |  | 8-1534796-8               |
|   | 8 | 17.5 | 22.4 |  |  |  |  |  | 7-1534796-8               |
|   | 8 | 17.5 | 22.4 |  |  |  |  |  | 6-1534796-8               |
|   | 8 | 17.5 | 22.4 |  |  |  |  |  | 5-1534796-8               |
|   | 8 | 17.5 | 22.4 |  |  |  |  |  | 3-1534796-8               |
|   | 8 | 17.5 | 22.4 |  |  |  |  |  | 2-1534796-8               |
|   | 7 | 15   | 19.9 |  |  |  |  |  | 7-1534796-7               |
| BLUE  | 7 | 15   | 19.9 |  |  |  |  |  | 6-1534796-7               |
| BLUE  | 7 | 15   | 19.9 |  |  |  |  |  | 4-1534796-7 <sup>12</sup> |
|   | 7 | 15   | 19.9 |  |  |  |  |  | 5-1534796-7 <sup>12</sup> |
|   | 7 | 15   | 19.9 |  |  |  |  |  | 3-1534796-7               |
|   | 6 | 12.5 | 17.4 |  |  |  |  |  | 9-1534796-6               |
|   | 6 | 12.5 | 17.4 |  |  |  |  |  | 8-1534796-6 <sup>12</sup> |
|   | 6 | 12.5 | 17.4 |  |  |  |  |  | 7-1534796-6 <sup>12</sup> |
|   | 6 | 12.5 | 17.4 |  |  |  |  |  | 6-1534796-6               |
| BLUE  | 6 | 12.5 | 17.4 |  |  |  |  |  | 2-1534796-6               |
|   | 6 | 12.5 | 17.4 |  |  |  |  |  | 5-1534796-6               |
|   | 6 | 12.5 | 17.4 |  |  |  |  |  | 4-1534796-6               |
|   | 6 | 12.5 | 17.4 |  |  |  |  |  | 3-1534796-6               |
| RED   | 5 | 10   | 14.9 |  |  |  |  |  | 8-1534796-5               |
|   | 5 | 10   | 14.9 |  |  |  |  |  | 9-1534796-5               |
|   | 5 | 10   | 14.9 |  |  |  |  |  | 4-1534796-5 <sup>12</sup> |
| GREEN   | 5 | 10   | 14.9 |  |  |  |  |  | 7-1534796-5               |
| BROWN   | 5 | 10   | 14.9 |  |  |  |  |  | 6-1534796-5               |
|   | 5 | 10   | 14.9 |  |  |  |  |  | 5-1534796-5 <sup>12</sup> |
|   | 5 | 10   | 14.9 |  |  |  |  |  | 3-1534796-5               |
| BROWN   | 5 | 10   | 14.9 |  |  |  |  |  | 0-1534796-5 <sup>12</sup> |
| GREEN   | 4 | 7.5  | 12.4 |  |  |  |  |  | 1-2825353-4               |
|   | 4 | 7.5  | 12.4 |  |  |  |  |  | 0-2825353-4 <sup>12</sup> |
| RED   | 4 | 7.5  | 12.4 |  |  |  |  |  | 9-1534796-4               |
| BLACK   | 4 | 7.5  | 12.4 |  |  |  |  |  | 8-1534796-4               |
| BLACK   | 4 | 7.5  | 12.4 |  |  |  |  |  | 2-1534796-4 <sup>12</sup> |
| BLACK   | 4 | 7.5  | 12.4 |  |  |  |  |  | 5-1534796-4               |
|   | 4 | 7.5  | 12.4 |  |  |  |  |  | 6-1534796-4               |
|   | 4 | 7.5  | 12.4 |  |  |  |  |  | 1534796-4 <sup>12</sup>   |
|   | 4 | 7.5  | 12.4 |  |  |  |  |  | 7-1534796-4 <sup>12</sup> |
|   | 4 | 7.5  | 12.4 |  |  |  |  |  | 4-1534796-4               |
|   | 4 | 7.5  | 12.4 |  |  |  |  |  | 3-1534796-4               |
| RED   | 3 | 5    | 9.9  |  |  |  |  |  | 2-1534796-3               |
|   | 3 | 5    | 9.9  |  |  |  |  |  | 8-1534796-3 <sup>12</sup> |
| RED   | 3 | 5    | 9.9  |  |  |  |  |  | 9-1534796-3               |
|   | 3 | 5    | 9.9  |  |  |  |  |  | 6-1534796-3               |
|   | 3 | 5    | 9.9  |  |  |  |  |  | 7-1534796-3               |
|   | 3 | 5    | 9.9  |  |  |  |  |  | 4-1534796-3 <sup>12</sup> |
|   | 3 | 5    | 9.9  |  |  |  |  |  | 3-1534796-3               |
|   | 2 | 2.5  | 7.4  |  |  |  |  |  | 1-1534796-2               |
|   | 2 | 2.5  | 7.4  |  |  |  |  |  | 1534796-2                 |

| GWEPT 750°C NO FLAME & UL94-V2, TIN PLATED VERSION (10-20 POSITION) |    |      |      |  |  |  |  |  |  |                           |
|---|----|------|------|--|--|--|--|--|--|---------------------------|
|   |    |      |      |  |  |  |  |  |  |                           |
|   | 20 | 47.5 | 52.4 |  |  |  |  |  |  | 3-1534797-0 <sup>12</sup> |
|   | 19 | 45   | 49.9 |  |  |  |  |  |  | 5-1534797-9 <sup>12</sup> |
|   | 19 | 45   | 49.9 |  |  |  |  |  |  | 4-1534797-9               |
|   | 19 | 45   | 49.9 |  |  |  |  |  |  | 3-1534797-9               |
|   | 16 | 37.5 | 42.4 |  |  |  |  |  |  | 3-1534797-6               |
|   | 15 | 35   | 39.9 |  |  |  |  |  |  | 3-1534797-5               |
|   | 14 | 32.5 | 37.4 |  |  |  |  |  |  | 3-1534797-4               |
|   | 13 | 30   | 34.9 |  |  |  |  |  |  | 3-1534797-3               |
|   | 12 | 27.5 | 32.4 |  |  |  |  |  |  | 5-1534797-2 <sup>12</sup> |
|   | 12 | 27.5 | 32.4 |  |  |  |  |  |  | 4-1534797-2               |
|   | 12 | 27.5 | 32.4 |  |  |  |  |  |  | 3-1534797-2               |
|   | 12 | 27.5 | 32.4 |  |  |  |  |  |  | 2-1534797-2               |
|   | 11 | 25   | 29.9 |  |  |  |  |  |  | 7-1534797-1               |
|   | 11 | 25   | 29.9 |  |  |  |  |  |  | 6-1534797-1 <sup>12</sup> |
|   | 11 | 25   | 29.9 |  |  |  |  |  |  | 5-1534797-1 <sup>12</sup> |
|   | 11 | 25   | 29.9 |  |  |  |  |  |  | 4-1534797-1               |
|   | 11 | 25   | 29.9 |  |  |  |  |  |  | 3-1534797-1               |
|   | 10 | 22.5 | 27.4 |  |  |  |  |  |  | 6-1534796-0               |
|   | 10 | 22.5 | 27.4 |  |  |  |  |  |  | 4-1534796-0 <sup>12</sup> |
|   | 10 | 22.5 | 27.4 |  |  |  |  |  |  | 3-1534796-0               |
|   | 10 | 22.5 | 27.4 |  |  |  |  |  |  | 7-1534796-0               |

| COLOR CODE <sup>14</sup> | POS.      | DIM A       | DIM B    | <sup>24</sup> KEYING | <sup>19</sup> KEYING | <sup>15</sup> KEYING | <sup>11</sup> KEYING | <sup>9</sup> KEYING | <sup>5</sup> KEYING | TE P/N <sup>20</sup>                 |
|--------------------------|-----------|-------------|----------|----------------------|----------------------|----------------------|----------------------|---------------------|---------------------|--------------------------------------|
| 2                        | SEE TABLE |             |          | CONTACT              |                      |                      |                      |                     |                     | CuSn TINNED                          |
| 1                        | SEE TABLE |             |          | HOUSING              |                      |                      |                      |                     |                     | HIGH TEMP PLASTIC <sup>3</sup> NATUR |
| SL NO                    | PN        | DESCRIPTION | MATERIAL | COLOUR/FINISH        |                      |                      |                      |                     |                     |                                      |

| COLOR CODE <sup>14</sup> | POS.      | DIM A       | DIM B    | <sup>24</sup> KEYING | <sup>19</sup> KEYING | <sup>15</sup> KEYING | <sup>11</sup> KEYING | <sup>9</sup> KEYING | <sup>5</sup> KEYING | TE P/N <sup>20</sup>                 |
|--------------------------|-----------|-------------|----------|----------------------|----------------------|----------------------|----------------------|---------------------|---------------------|--------------------------------------|
| 2                        | SEE TABLE |             |          | CONTACT              |                      |                      |                      |                     |                     | CuSn TINNED                          |
| 1                        | SEE TABLE |             |          | HOUSING              |                      |                      |                      |                     |                     | HIGH TEMP PLASTIC <sup>3</sup> NATUR |
| SL NO                    | PN        | DESCRIPTION | MATERIAL | COLOUR/FINISH        |                      |                      |                      |                     |                     |                                      |

THIS DRAWING IS A CONTROLLED DOCUMENT.

DIMENSIONS: mm

TOLERANCES UNLESS OTHERWISE SPECIFIED:

0 PLC ±0.2  
 1 PLC ±0.2  
 2 PLC ±0.2  
 3 PLC ±0.2  
 4 PLC ±0.2  
 ANGLES ±1°

FINISH

Customer Drawing

SCALE 10:1 SHEET 2 OF 4

APPROVED: H. Karabiyik 24MAY2002  
 CHK: B. Schnaubel 24MAY2002  
 APVD: T. Klenner 24MAY2002

NAME: AMP DUOPLUG 2.5 MARK II FEMALE CONNECTOR 2-20 POSITION

SIZE: 108-18785  
 APPLICATION SPEC: 116-18667

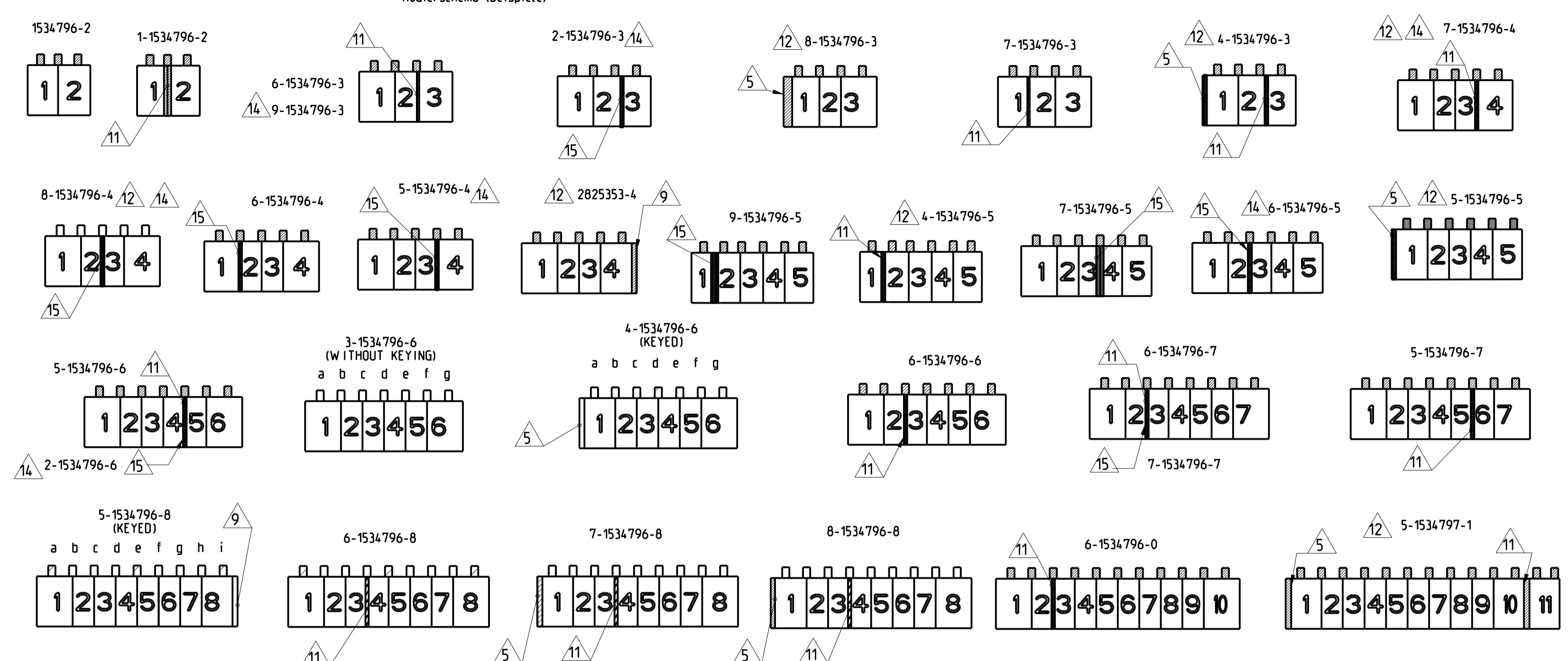
WEIGHT: -

RESTRICTED TO: -

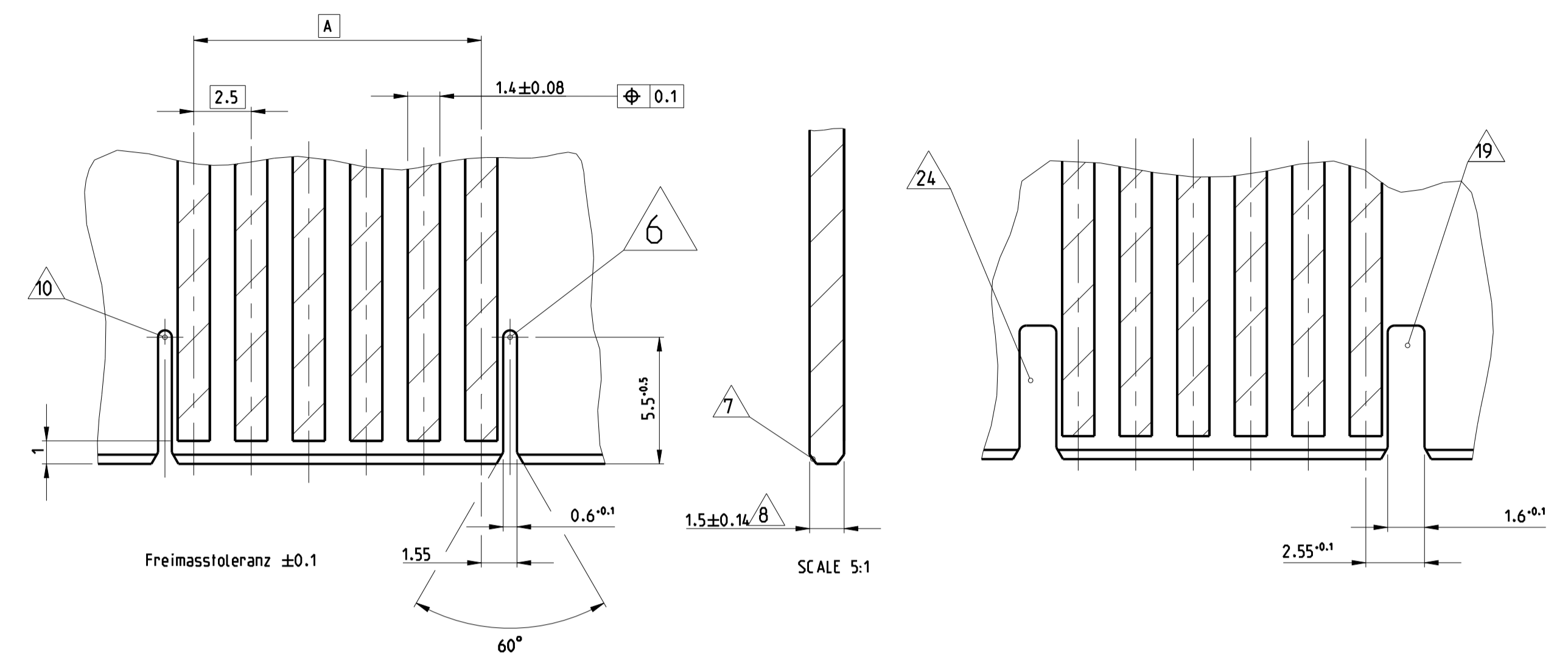
Customer Drawing

| LOC | DIST | REV | DESCRIPTION | DATE | DRW | APVD |
|-----|------|-----|-------------|------|-----|------|
| A1  | -    | -   | SEE SHEET 1 | -    | -   | -    |

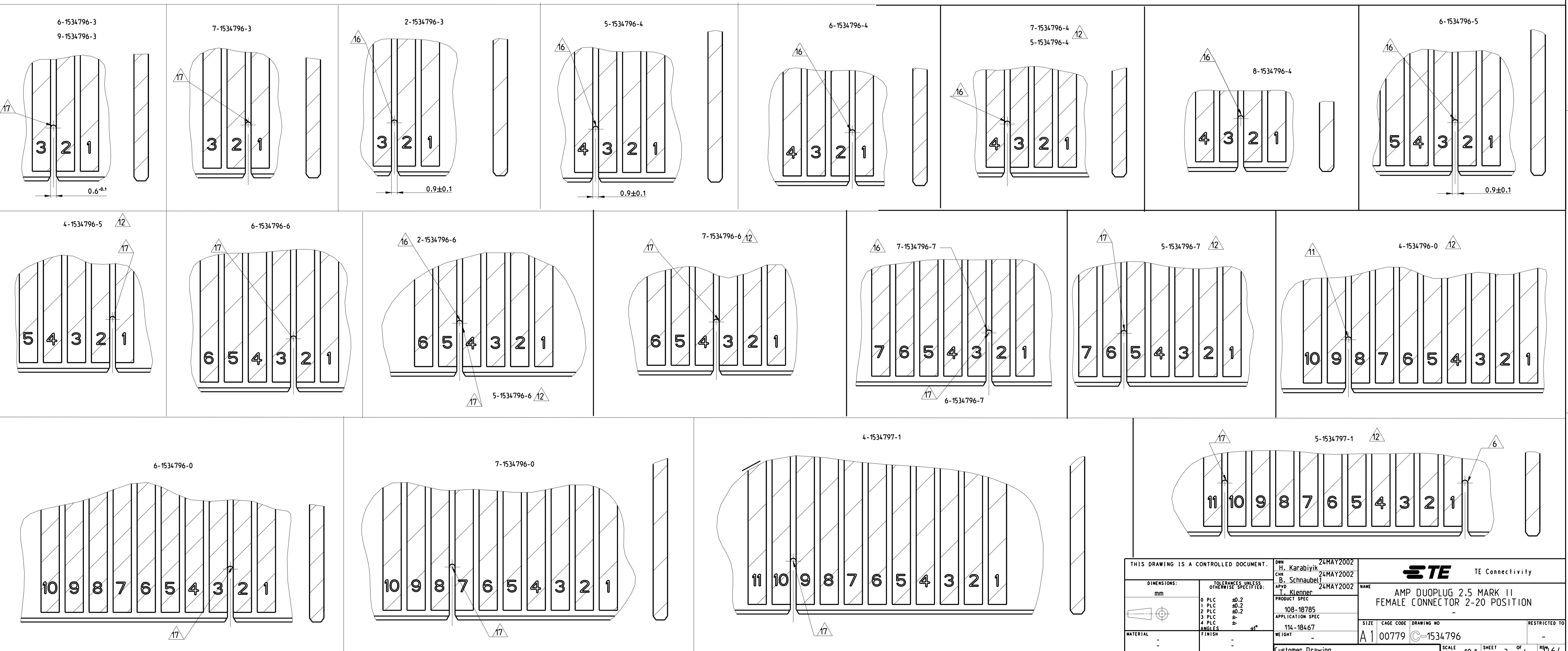
KEYING PLAN (EXAMPLES)  
 Kodierschema (Beispiele)



PCB LAYOUT KEYED / CONNECTED ONLY WITH ADDITIONAL FRAME  
 Leiterplattenanschluss kodiert / nur in Verbindung mit zusätzlichem Rahmen



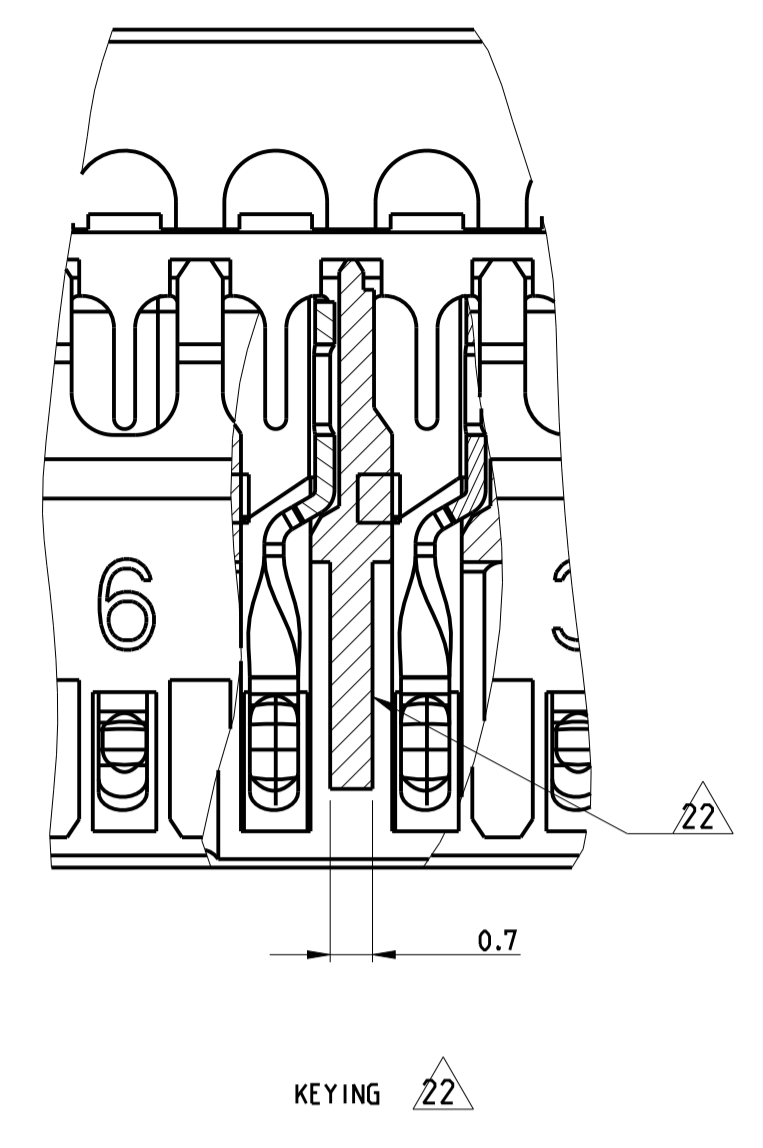
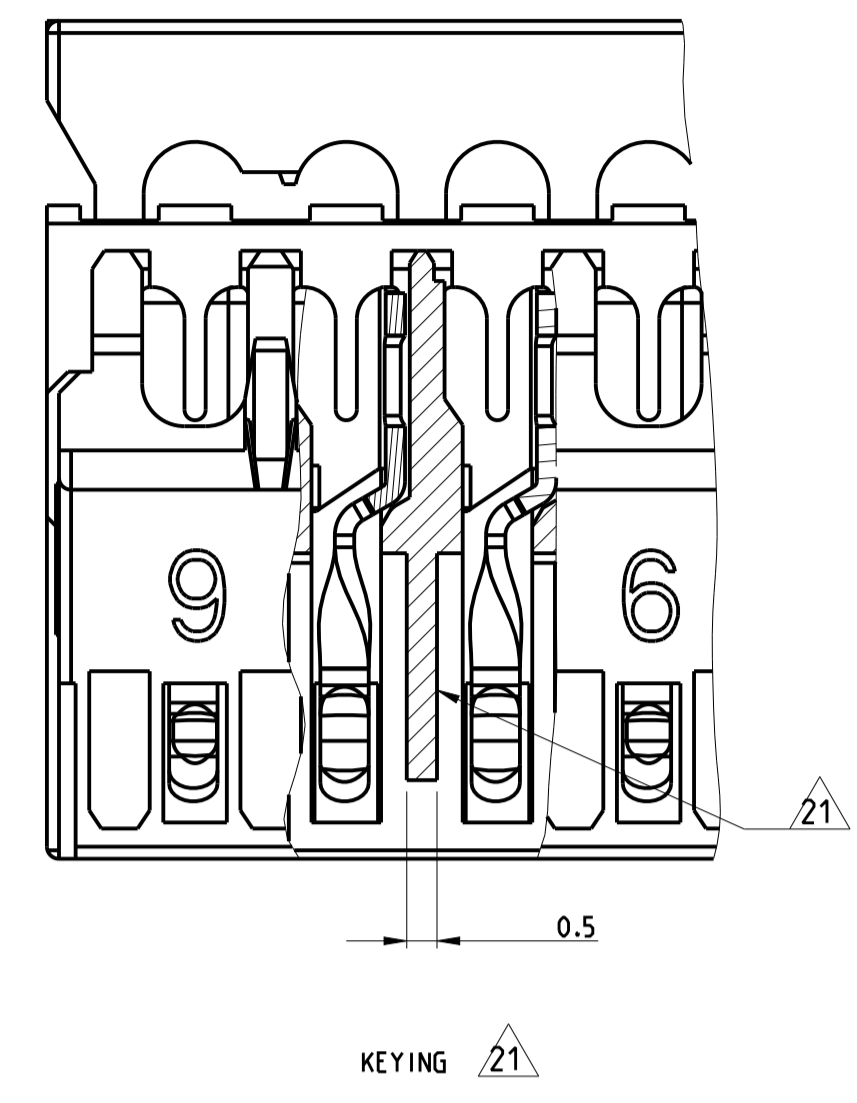
PCB LAYOUT FOR KEYING BETWEEN POSITION



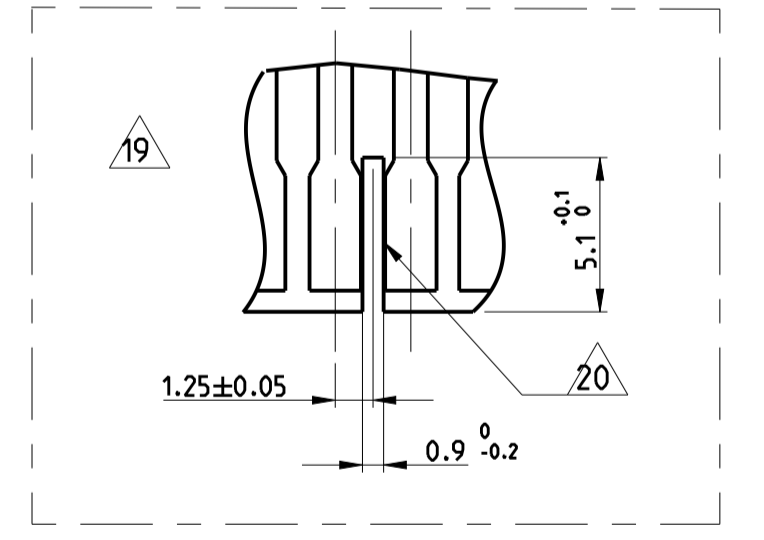
THIS DRAWING IS A CONTROLLED DOCUMENT.

|             |  |                             |  |
|-------------|--|-----------------------------|--|
| DIMENSIONS: | TOLERANCES UNLESS OTHERWISE SPECIFIED: | OWN: H. Karabiyik 24MAY2002 | TE Connectivity  |
| mm          | 0 PLC ±0.2                             | CHK: B. Schnaubel 24MAY2002 | NAME: AMP DUOPLUG 2.5 MARK II FEMALE CONNECTOR 2-20 POSITION |
|             | 1 PLC ±0.2                             | APPD: T. Klenner 24MAY2002  | SIZE: CAGE CODE DRAWING NO. RESTRICTED TO                    |
|             | 2 PLC ±0.2                             |                             | A1 00779 C=1534796   |
|             | 3 PLC ±0.2                             |                             | SCALE: 10:1 SHEET 3 OF 4                                     |
|             | 4 PLC ±0.2                             |                             | Customer Drawing   |
| MATERIAL:   | FINISH:                                | WEIGHT:                     | REVISION: U64  |

| LOC | DIST | REVISIONS |     |             |      |     |      |
|-----|------|-----------|-----|-------------|------|-----|------|
|     |      | P         | LTR | DESCRIPTION | DATE | DWN | APVD |
| A1  | -    | -         | -   | SEE SHEET 1 | -    | -   | -    |



- 22 KEYING. SPECIAL THICK. BETWEEN POSITION
- 21 KEYING. SPECIAL THIN. BETWEEN POSITION
- 20 SLOT FOR KEYING SPECIAL. BETWEEN POSITION
- 19 RECOMMENDED PCB CUTOFF DIMENSION FOR THE KEYING SPECIAL. BETWEEN POSITION



| GWEPT 750°C NO FLAME & UL94-V0. TIN PLATED VERSION |              |             |       |                     |        |               |        |        |                |
|--|--------------|-------------|-------|---------------------|--------|---------------|--------|--------|----------------|
| Color Code   | POS. Polzahl | DIM A       | DIM B | KEYING              | KEYING | KEYING        | KEYING | KEYING | PN Bestell-Nr. |
|  | 14           | 32.5        | 37.4  |                     |        |               |        |        | 2304526-4 12   |
|  | 12           | 27.5        | 32.4  |                     |        |               |        |        | 2304526-2      |
|  | 10           | 22.5        | 27.4  |                     |        |               |        |        | 1-2304525-0    |
|  | 9            | 20          | 24.9  | -                   | -      | -             | -      |        | 3-2304525-9    |
| Blue   | 8            | 17.5        | 22.4  | -                   | -      | -             | -      |        | 2-2304525-8    |
|  | 8            | 17.5        | 22.4  | -                   | -      | -             | -      |        | 1-2304525-8    |
| Brown  | 8            | 17.5        | 22.4  | -                   | -      | -             | 2/3    |        | 2304525-8      |
|  | 7            | 15          | 19.9  | -                   | -      | -             | -      |        | 2304525-7      |
| Black  | 6            | 12.5        | 17.4  | -                   | -      | -             | -      |        | 4-2304525-6    |
| GREEN  | 6            | 12.5        | 17.4  | -                   | -      | -             | 1/2    |        | 3-2304525-6    |
| Red  | 6            | 12.5        | 17.4  | -                   | -      | -             | 2/3    |        | 2-2304525-6    |
|  | 6            | 12.5        | 17.4  | -                   | -      | -             | -      |        | 1-2304525-6    |
| Blue   | 6            | 12.5        | 17.4  | -                   | -      | -             | 4/5    |        | 2304525-6      |
|  | 5            | 10          | 14.9  | 4/5                 |        |               |        |        | 5-2304525-5    |
|  | 5            | 10          | 14.9  |                     | 1/2    | -             | -      |        | 4-2304525-5    |
| Green  | 5            | 10          | 14.9  | -                   | -      | -             | 3/4    |        | 2-2304525-5    |
| Brown  | 5            | 10          | 14.9  | -                   | -      | -             | 2/3    |        | 1-2304525-5    |
|  | 5            | 10          | 14.9  | -                   | -      | -             | -      |        | 2304525-5      |
| Black  | 4            | 7.5         | 12.4  | -                   | 3/4    | -             | -      |        | 4-2304525-4    |
| Blue   | 4            | 7.5         | 12.4  | -                   | -      | -             | -      |        | 3-2304525-4    |
|  | 4            | 7.5         | 12.4  | -                   | -      | -             | -      |        | 2-2304525-4    |
| Brown  | 4            | 7.5         | 12.4  | -                   | -      | -             | 1/2    |        | 1-2304525-4    |
| Black  | 4            | 7.5         | 12.4  | -                   | -      | -             | 3/4    |        | 2304525-4      |
| Red  | 3            | 5           | 9.9   |                     | 2/3    |               |        |        | 3-2304525-3    |
|  | 3            | 5           | 9.9   |                     |        |               |        | X      | 2-2304525-3 12 |
|  | 3            | 5           | 9.9   | -                   | -      | -             | -      |        | 1-2304525-3    |
| Black  | 3            | 5           | 9.9   | -                   | -      | 1/2           | -      |        | 2304525-3      |
| Color Code   | POS. Polzahl | DIM A       | DIM B | KEYING              | KEYING | KEYING        | KEYING | KEYING | PN Bestell-Nr. |
| 2  | SEE TABLE    | CONTACT     |       | CuSn                |        | TINNED        |        |        |                |
| 1  | SEE TABLE    | HOUSING     |       | HIGH TEMP PLASTIC 3 |        | NATUR         |        |        |                |
| SL NO  | PN           | DESCRIPTION |       | MATERIAL            |        | COLOUR/FINISH |        |        |                |

THIS DRAWING IS A CONTROLLED DOCUMENT. DWN: H. Karabiyik, 24MAY2002  
 CHK: B. Schnaubel, 24MAY2002  
 APVD: T. Klenner, 24MAY2002

**STE** TE Connectivity

NAME: AMP DUOPLUG 2.5 MARK II FEMALE CONNECTOR 2-20 POSITION

PRODUCT SPEC: 108-18785  
 APPLICATION SPEC: 116-18467

SIZE: A1 CAGE CODE: 00779 DRAWING NO: 1534796 RESTRICTED TO: -

MATERIAL: - FINISH: - WEIGHT: -

Customer Drawing SCALE: 10:1 SHEET 4 OF 4

## X-ON Electronics

Largest Supplier of Electrical and Electronic Components

*Click to view similar products for [Headers & Wire Housings](#) category:*

*Click to view products by [TE Connectivity](#) manufacturer:*

Other Similar products are found below :

[892-18-020-10-001101](#) [58102-G61-06LF](#) [582553-1](#) [0009485154](#) [009176003701906](#) [0050291907](#) [LY20-4P-DT1-P1E-BR](#) [02.125.8002.8](#)  
[609-3404](#) [61062-3](#) [61082-181009](#) [622-3653LF](#) [63453-116](#) [636-1030](#) [636-1427](#) [636-3427](#) [636-4007](#) [641938-9](#) [641991-4](#) [644827-2](#) [65817-](#)  
[010LF](#) [65817-015LF](#) [65863-015LF](#) [66207-023LF](#) [67095-007LF](#) [67601157](#) [68645-018](#) [68648-049](#) [70.362.1628.0](#) [70-4210](#) [70-4226B](#) [70-](#)  
[4853B](#) [707-5020](#) [707-5028](#) [71.350.2428.0](#) [71918-208LF](#) [71961-016LF](#) [733-134](#) [733-162](#) [754199-000](#) [760-3052](#) [787-8014-00](#) [79531-3000](#)  
[FCN-360C032-B](#) [FCN-367T-T012/H](#) [FCN-723D010/2](#) [80.063.4001.1](#) [800-90-001-10-001000](#) [800-90-010-10-002000](#) [801-43-002-10-013000](#)