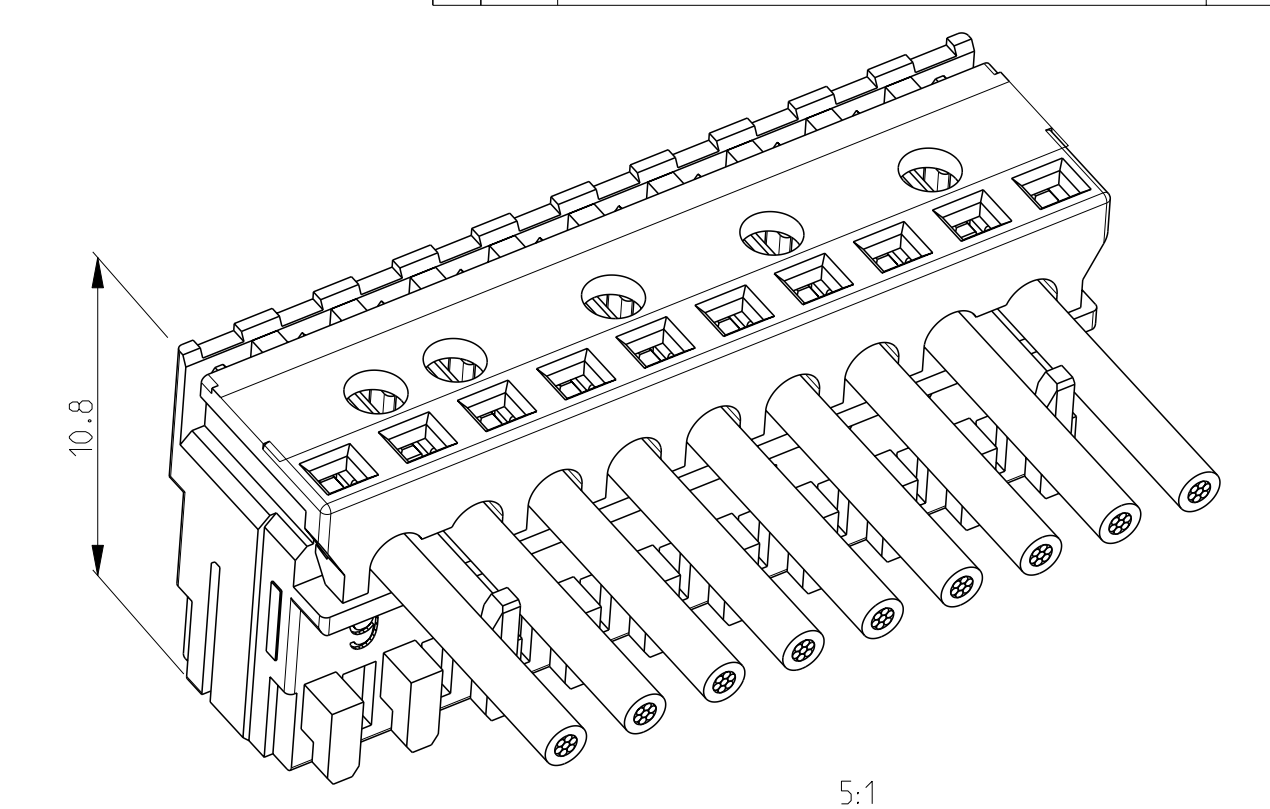
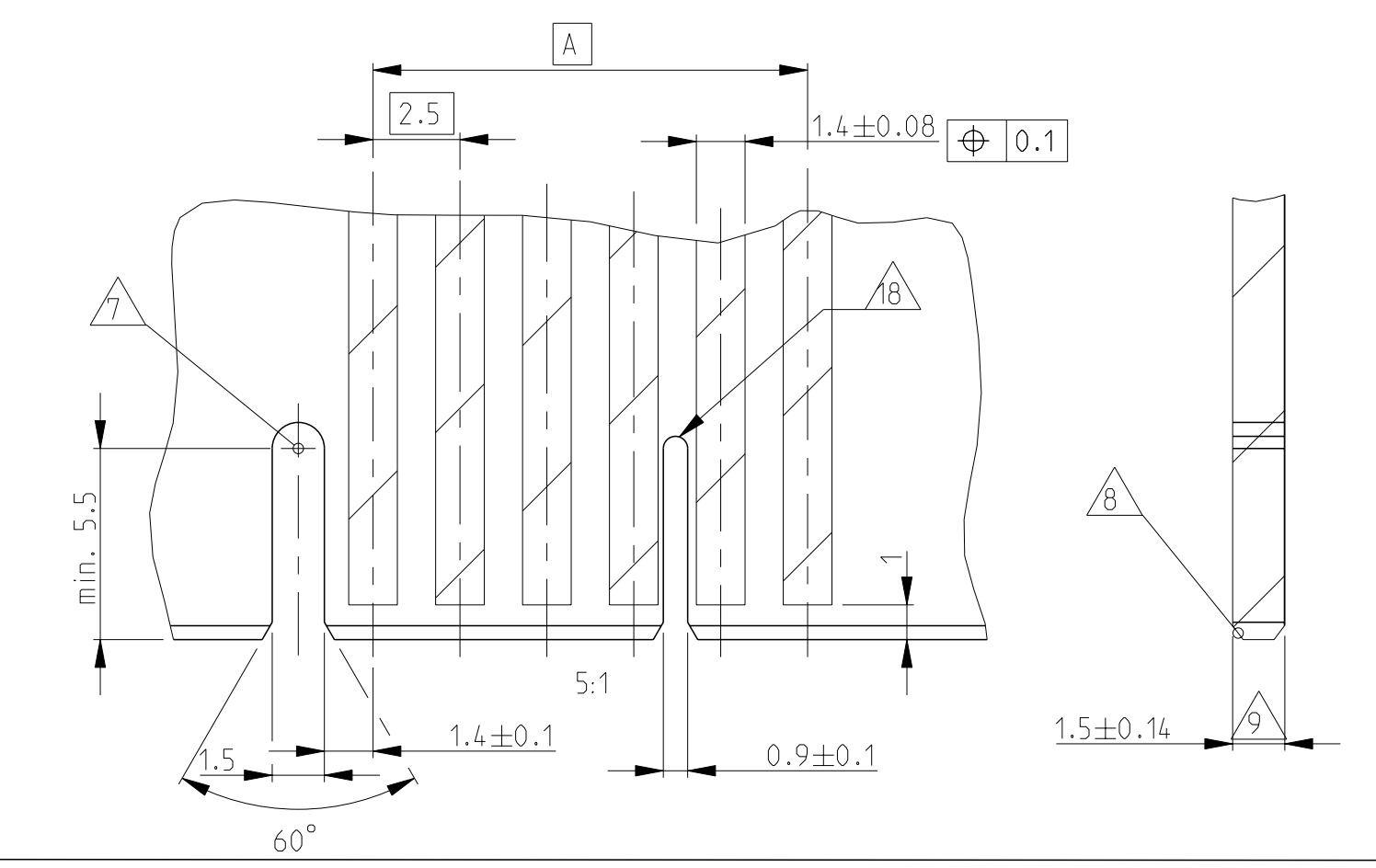


- ▲27 DIMENSION AVAILABLE FOR PART X-2304525-X, X-2304526-X.
- ▲26 WITH SPECIAL CHAIN FEATURE
- ▲25 SIDE KEYING ON LAST CAVITY THICKNESS=1.5mm
- ▲24 SIDE KEYING ON CAVITY 1 THICKNESS=1.5mm
- ▲19 COLOR STRIP ON COVER OF HOUSING, NOT THE COLOR OF HOUSING.
- ▲18 SLOT, THICK, BETWEEN CAVITIES
- ▲17 KEYING, THICK, BETWEEN POSITION
- ▲16 SLOT, SLIM, FOR SIDE KEYING, LAST CAVITY
- ▲15 SLOT, SLIM, FOR SIDE KEYING, SIDE CAVITY 1
- ▲14 SIDE KEYING, SLIM, ON LAST CAVITY
- ▲13 SIDE KEYING, SLIM, ON CAVITY 1
- ▲12 KEYING SLIM BETWEEN POSITIONS
- ▲11 PRELIMINARY PART NOT RELEASED FOR PRODUCTION
- ▲10 TE LOGO
- ▲9 INCLUSIVE COPPER LOADING
- ▲8 PCB PREFERABLY CHAMFERED
- ▲7 SLOT, THICK, FOR SIDE KEYING
- ▲6 SIDE KEYING, THICK, ON LAST CAVITY
- 5 WIRE RANG: 0.22-0.35mm² SEE APPLICATION SPEC. 114-18467
- ▲4 IEC60695-2-11 / IEC60335-1 GLOW WIRE TEST 750 °C WITHOUT FLAME
- ▲3 X..CAVITY LOADED WITH CONTACT
O..CAVITY WITHOUT CONTACT
- 2 MATING PART: PCB (WITH FRAMES ACC. RAST 2.5 E.G. PN 964 575/576
TAB HEADER (FOR EXAMPLE: X-1971921/922-Y)
- ▲1 KEYING RIBS; CUTTING WITH TERMINATION MACHINE POSSIBLE

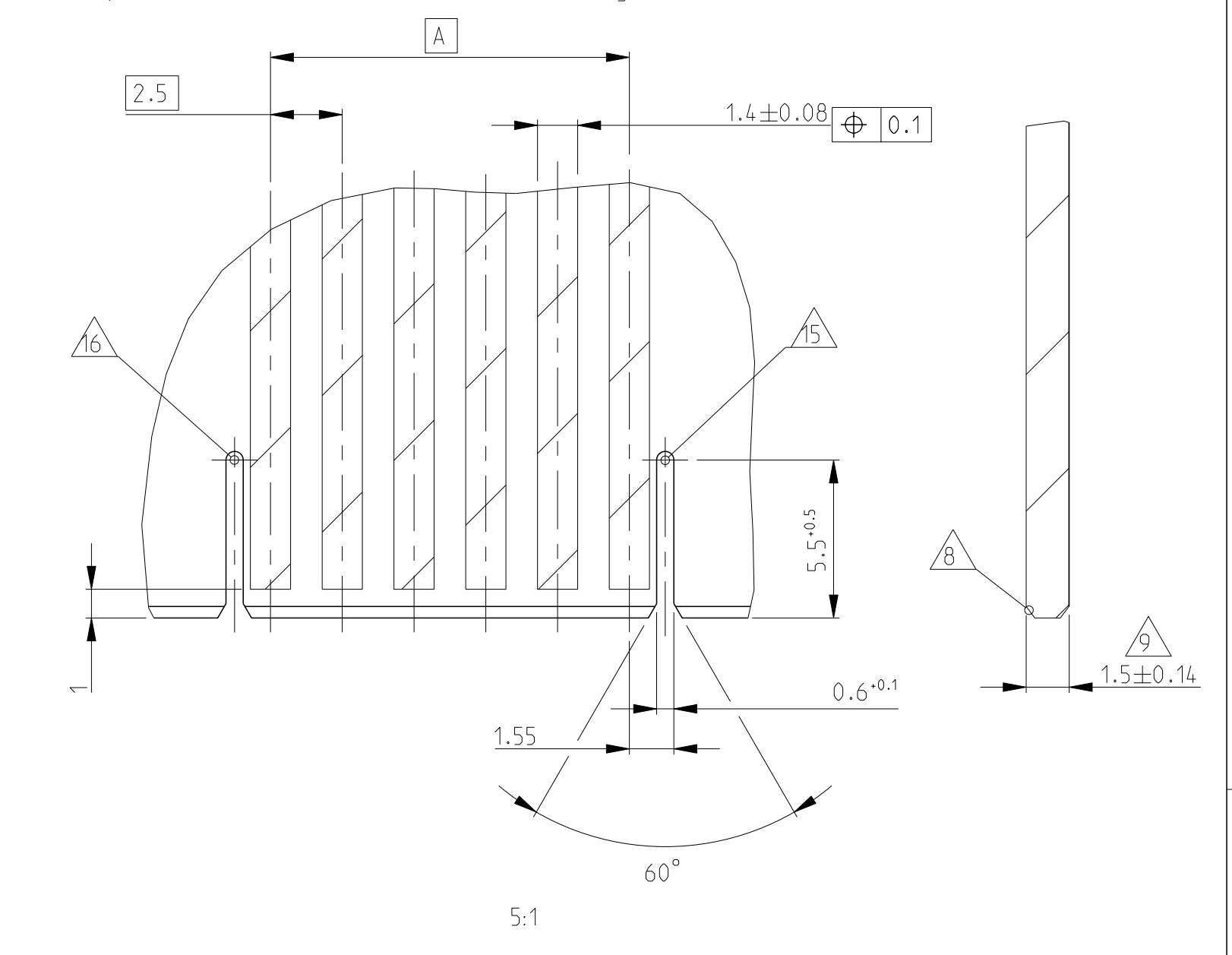
| LOC | DIST | REVISIONS | | | | |
|-----|------|-----------|---------------|-----------|-----|------|
| A1 | - | REV | DESCRIPTION | DATE | OWN | APVD |
| | | D51 | ECR-20-100617 | 05NOV2020 | W W | FL |
| | | D52 | ECR-20-101062 | 17DEC2020 | P J | FL |
| | | D53 | ECR-21-100373 | 01FEB2021 | S M | FL |



PCB LAYOUT KEYED / CONNECTED ONLY WITH ADDITIONAL FRAME (THICK KEYING)
Leiterplattenanschluss kodiert / nur in Verbindung mit zusätzlichem Rahmen



PCB LAYOUT KEYED / CONNECTED ONLY WITH ADDITIONAL FRAME (SLIM KEYING)
Leiterplattenanschluss kodiert / nur in Verbindung mit zusätzlichem Rahmen



OTHER NOTE SEE SHEET 3 OF 3.

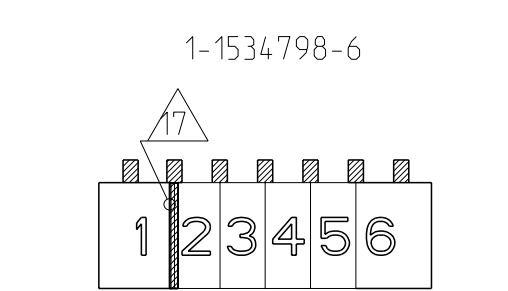
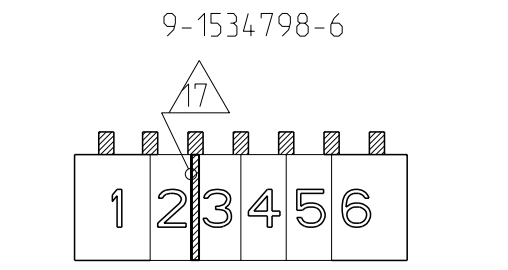
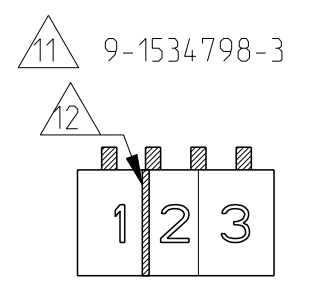
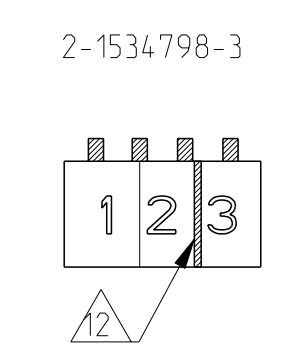
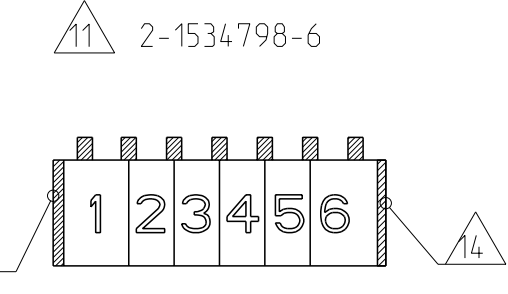
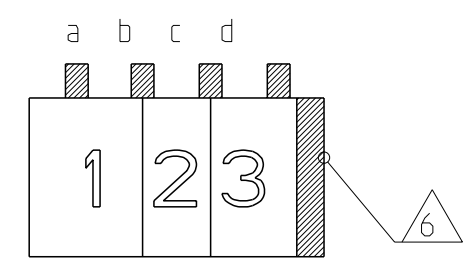
| | | | |
|--|------------|------------------------------|---|
| THIS DRAWING IS A CONTROLLED DOCUMENT. | | OWN: H. Karabiyik 24MAY2002 | TE Connectivity |
| DIMENSIONS: mm | | CHK: B. Schnaubelt 24MAY2002 | |
| TOLERANCES UNLESS OTHERWISE SPECIFIED: | | APVD: T. Klenner 24MAY2002 | NAME: AMP DUOPLUG 2.5 MARK II FEMALE CONNECTOR 3-20 POSITION SELECTIVE LOADED |
| 0 PLC ±0.2 | 1 PLC ±0.2 | PRODUCT SPEC | SIZE: 114-18467 |
| 2 PLC ±0.2 | 3 PLC ±0.2 | APPLICATION SPEC | SCALE: 10:1 |
| 4 PLC ± | ANGLES ± | FINISH ± | SHEET 1 OF 3 |
| MATERIAL: - | FINISH: - | WEIGHT: - | RESTRICTED TO: - |
| Customer Drawing | | 00779 | REVISION: D53 |

| LOC | DIST | REV | DATE | OWN | APVD |
|-----|------|-----|------|-----|------|
| A1 | - | | | | |

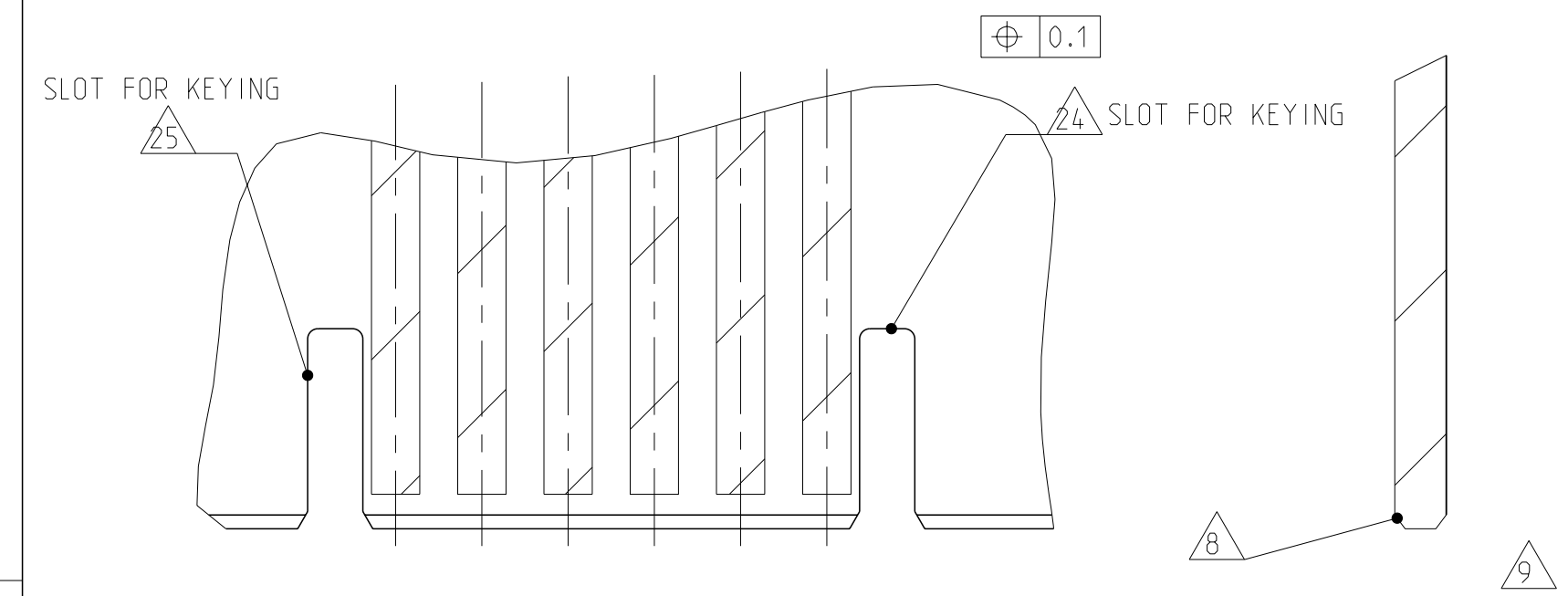
KEYING PLAN

Kodierschema

4-1534798-3



PCB LAYOUT KEYED / CONNECTED ONLY WITH ADDITIONAL FRAME (KEYING THICKNESS-1.5mm)



5:1

| GWEPT 750°C NO FLAME & UL94-V2, TIN PLATED VERSION | | | | | | | | | | | | | | | | | | | | | | | | | | | | | | | |
|--|----|----|----|----|----|----|----|----|----|----|----|---|---|---|---|---|---|---|---|---|--------------|-------|-------|--------|--------|--------|--------|--------|--------|-------------|----------------|
| Color | 20 | 19 | 18 | 17 | 16 | 15 | 14 | 13 | 12 | 11 | 10 | 9 | 8 | 7 | 6 | 5 | 4 | 3 | 2 | 1 | POS. Polzahl | DIM A | DIM B | KEYING | KEYING | KEYING | KEYING | KEYING | KEYING | KEYING | PN Bestell-Nr. |
| | | | | | | | | | | | | | | | | | | | | | | 19 | 45 | 49.9 | | | | | | 1-1534799-9 | |
| | | | | | | | | | | | | | | | | | | | | | | 17 | 40 | 44.9 | | | 8/9 | | | 1534799-7 | |
| | | | | | | | | | | | | | | | | | | | | | | 15 | 35 | 39.9 | | | | | | 1-1534799-5 | |
| | | | | | | | | | | | | | | | | | | | | | | 13 | 30 | 34.9 | | | | | | 4-1534799-3 | |
| | | | | | | | | | | | | | | | | | | | | | | | | | | | | | | 3-1534799-3 | |
| | | | | | | | | | | | | | | | | | | | | | | 12 | 27.5 | 32.4 | | | | | | 1-1534799-2 | |
| | | | | | | | | | | | | | | | | | | | | | | | | | | | | | | 2-1534799-2 | |
| Black | | | | | | | | | | | | | | | | | | | | | | 11 | 25 | 29.9 | | | | | | 5-1534799-1 | |
| | | | | | | | | | | | | | | | | | | | | | | | | | | | | | | 5-1534799-1 | |
| | | | | | | | | | | | | | | | | | | | | | | | | | | | | | | 3-1534799-1 | |
| | | | | | | | | | | | | | | | | | | | | | | | | | | | | | | 2-1534799-1 | |
| | | | | | | | | | | | | | | | | | | | | | | | | | | | | | | 5-1534798-0 | |
| | | | | | | | | | | | | | | | | | | | | | | 10 | 22.5 | 27.4 | | | | | | 4-1534798-0 | |
| | | | | | | | | | | | | | | | | | | | | | | | | | | | | | | 3-1534798-0 | |
| | | | | | | | | | | | | | | | | | | | | | | | | | | | | | | 2-1534798-0 | |
| | | | | | | | | | | | | | | | | | | | | | | | | | | | | | | 7-1534798-9 | |
| | | | | | | | | | | | | | | | | | | | | | | | | | | | | | | 6-1534798-9 | |
| | | | | | | | | | | | | | | | | | | | | | | | | | | | | | | 5-1534798-9 | |
| | | | | | | | | | | | | | | | | | | | | | | | | | | | | | | 4-1534798-9 | |
| | | | | | | | | | | | | | | | | | | | | | | | | | | | | | | 3-1534798-9 | |
| | | | | | | | | | | | | | | | | | | | | | | | | | | | | | | 9-1534798-8 | |
| | | | | | | | | | | | | | | | | | | | | | | | | | | | | | | 8-1534798-8 | |
| | | | | | | | | | | | | | | | | | | | | | | | | | | | | | | 7-1534798-8 | |
| | | | | | | | | | | | | | | | | | | | | | | | | | | | | | | 6-1534798-8 | |
| | | | | | | | | | | | | | | | | | | | | | | | | | | | | | | 5-1534798-8 | |
| | | | | | | | | | | | | | | | | | | | | | | | | | | | | | | 4-1534798-8 | |
| | | | | | | | | | | | | | | | | | | | | | | | | | | | | | | 3-1534798-8 | |
| Black | | | | | | | | | | | | | | | | | | | | | | | | | | | | | | 6-1534798-7 | |
| | | | | | | | | | | | | | | | | | | | | | | | | | | | | | | 5-1534798-7 | |
| | | | | | | | | | | | | | | | | | | | | | | | | | | | | | | 4-1534798-7 | |
| | | | | | | | | | | | | | | | | | | | | | | | | | | | | | | 3-1534798-7 | |
| Black | | | | | | | | | | | | | | | | | | | | | | | | | | | | | | 2-1534798-6 | |
| Red | | | | | | | | | | | | | | | | | | | | | | | | | | | | | | 1-1534798-6 | |
| | | | | | | | | | | | | | | | | | | | | | | | | | | | | | | 9-1534798-6 | |
| | | | | | | | | | | | | | | | | | | | | | | | | | | | | | | 8-1534798-6 | |
| | | | | | | | | | | | | | | | | | | | | | | | | | | | | | | 7-1534798-6 | |
| | | | | | | | | | | | | | | | | | | | | | | | | | | | | | | 6-1534798-6 | |
| | | | | | | | | | | | | | | | | | | | | | | | | | | | | | | 5-1534798-6 | |
| | | | | | | | | | | | | | | | | | | | | | | | | | | | | | | 2314657-6 | |
| | | | | | | | | | | | | | | | | | | | | | | | | | | | | | | 1-2314657-6 | |
| | | | | | | | | | | | | | | | | | | | | | | | | | | | | | | 4-1534798-6 | |
| | | | | | | | | | | | | | | | | | | | | | | | | | | | | | | 3-1534798-6 | |
| Brown | | | | | | | | | | | | | | | | | | | | | | | | | | | | | | 9-1534798-5 | |
| | | | | | | | | | | | | | | | | | | | | | | | | | | | | | | 8-1534798-5 | |
| Black | | | | | | | | | | | | | | | | | | | | | | | | | | | | | | 7-1534798-5 | |
| | | | | | | | | | | | | | | | | | | | | | | | | | | | | | | 6-1534798-5 | |
| | | | | | | | | | | | | | | | | | | | | | | | | | | | | | | 5-1534798-5 | |
| | | | | | | | | | | | | | | | | | | | | | | | | | | | | | | 4-1534798-5 | |
| | | | | | | | | | | | | | | | | | | | | | | | | | | | | | | 3-1534798-5 | |
| | | | | | | | | | | | | | | | | | | | | | | | | | | | | | | 2-1534798-5 | |
| | | | | | | | | | | | | | | | | | | | | | | | | | | | | | | 3-1534798-4 | |
| Orange | | | | | | | | | | | | | | | | | | | | | | | | | | | | | | 1-1534798-3 | |
| | | | | | | | | | | | | | | | | | | | | | | | | | | | | | | 1534798-3 | |
| | | | | | | | | | | | | | | | | | | | | | | | | | | | | | | 9-1534798-3 | |
| | | | | | | | | | | | | | | | | | | | | | | | | | | | | | | 2-1534798-3 | |
| Brown | | | | | | | | | | | | | | | | | | | | | | | | | | | | | | 8-1534798-3 | |
| Green | | | | | | | | | | | | | | | | | | | | | | | | | | | | | | 7-1534798-3 | |
| Blue | | | | | | | | | | | | | | | | | | | | | | | | | | | | | | 6-1534798-3 | |
| | | | | | | | | | | | | | | | | | | | | | | | | | | | | | | 5-1534798-3 | |
| | | | | | | | | | | | | | | | | | | | | | | | | | | | | | | 4-1534798-3 | |
| | | | | | | | | | | | | | | | | | | | | | | | | | | | | | | 3-1534798-3 | |

| | | | | |
|------|----------------|--------------------------|-------------------|--------------------------------|
| 2 | SEE TABLE | CONTACT/Kontakt | CuSn | TINNED/verzinkt |
| 1 | siehe Tabelle | HOUSING/Federleistengeh. | HIGH TEMP PLASTIC | NATUR/Natur |
| POS. | PN Bestell-Nr. | DESCRIPTION Beschreibung | MATERIAL | COLOR/FINISH Farbe/Oberflaeche |

THIS DRAWING IS A CONTROLLED DOCUMENT.

OWN: H. Karabiyik, 24MAY2002
 CHK: B. Schnaubelt, 24MAY2002
 APVD: T. Klenner, 24MAY2002

PRODUCT SPEC: 108-18785
 APPLICATION SPEC: 114-18467

WEIGHT: -
 Customer Drawing

X-ON Electronics

Largest Supplier of Electrical and Electronic Components

Click to view similar products for [TE Connectivity](#) manufacturer:

Other Similar products are found below :

[D38999/24FJ4AN](#) [570416-000](#) [CLTEQ-M81CE-SSRELAY-4-20V](#) [4-1195131-0](#) [650069-000](#) [SMD100-2](#) [358838-000](#) [CB-1022B-78](#)
[RM707012](#) [RP410012](#) [MMS42](#) [1-640426-8](#) [2EDL4CM](#) [DTS20W19-11PD-3028-LC](#) [RM202615](#) [NC6-P104-06](#) [MSPS103B](#) [DTS26F21-](#)
[41HE-LC](#) [DTS26F21-41AE](#) [DTS26F21-41PE-LC](#) [DTS26F21-11SE-3028-LC](#) [30DCB6](#) [1932144-1](#) [293545-4](#) [LVR125S](#) [MS27466T25F4PB](#)
[CKB-38-78010](#) [TR04AI-TINELLOCKRING](#) [1206SFF150F/63-2](#) [D38999/20JB35HA](#) [TE1500A2R2J](#) [D38999/20WC8BB](#) [DTS24F19-11SC-](#)
[3028-LC](#) [D38999/24WG11HA](#) [D38999/24WG11HN](#) [MS27467T21F11H](#) [DJT16E21-11HA](#) [MS27467T21F35J](#) [MS27467T21F11J](#)
[MS27467T21F16H-LC](#) [MS27467T21F35H](#) [MS27467T21F41H-LC](#) [1206SFH150F/24-2](#) [RP330024](#) [DJT16E21-11PA-LC](#) [DJT16E21-11HA-](#)
[LC](#) [DJT16E21-11AA](#) [MS27467T21B11JA](#) [DJT16E21-11JA](#) [MS27467T21B11JA-LC](#)