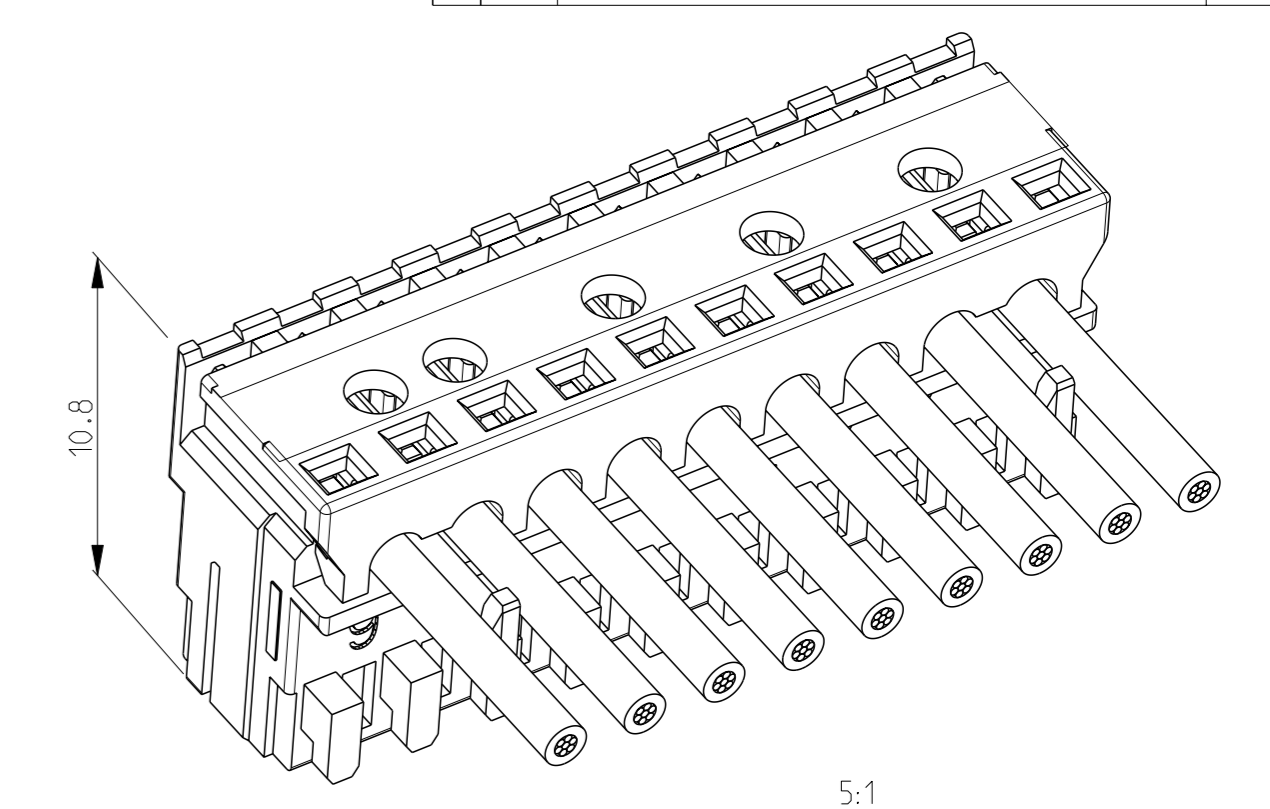
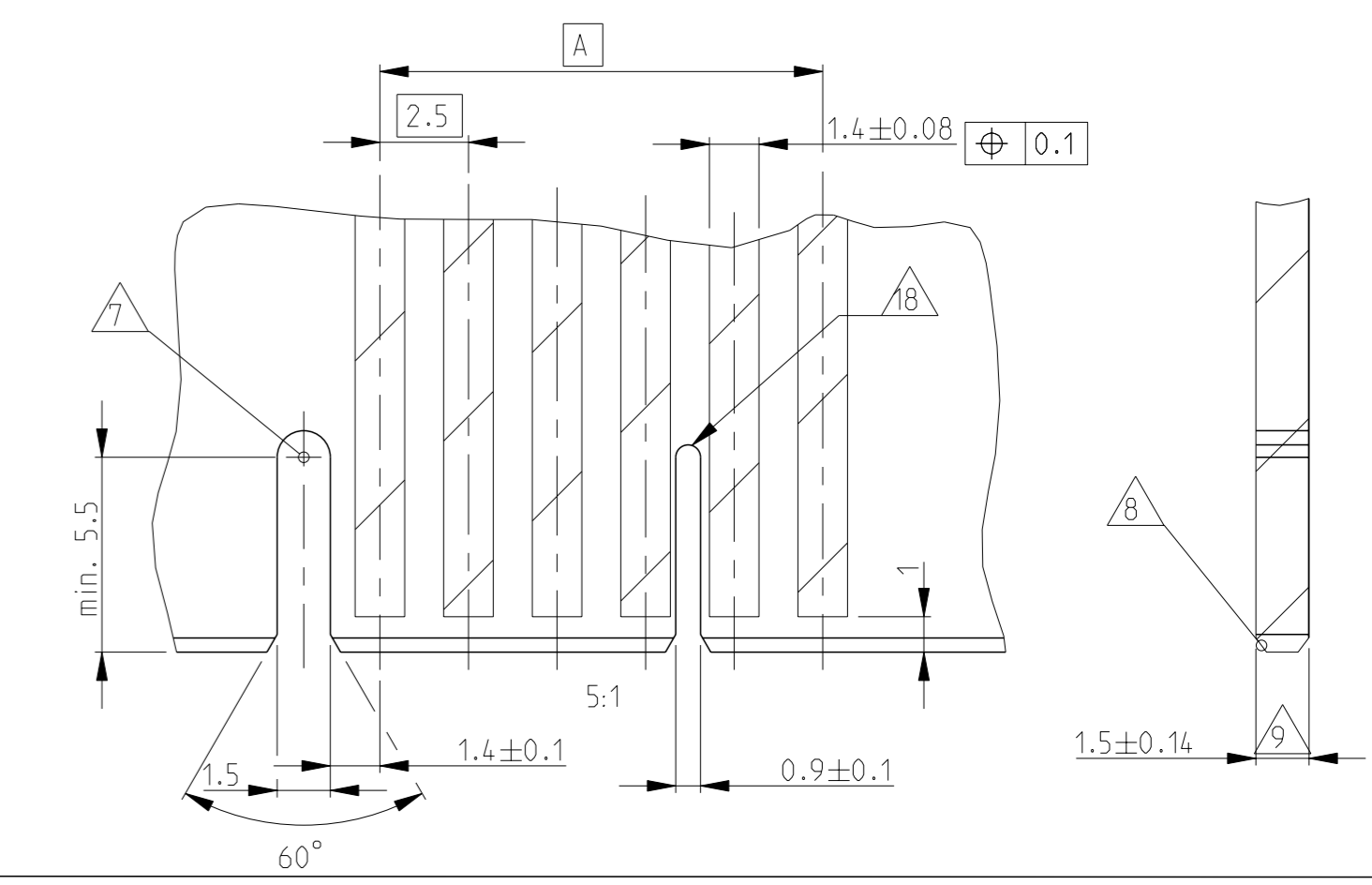


- △27 DIMENSION AVAILABLE FOR PART X-2304525-X, X-2304526-X.
- △26 WITH SPECIAL CHAIN FEATURE
- △25 SIDE KEYING ON LAST CAVITY THICKNESS=1.5mm
- △24 SIDE KEYING ON CAVITY 1 THICKNESS=1.5mm
- △19 COLOR STRIP ON COVER OF HOUSING, NOT THE COLOR OF HOUSING.
- △18 SLOT, THICK, BETWEEN CAVITIES
- △17 KEYING, THICK, BETWEEN POSITION
- △16 SLOT, SLIM, FOR SIDE KEYING, LAST CAVITY
- △15 SLOT, SLIM, FOR SIDE KEYING, SIDE CAVITY 1
- △14 SIDE KEYING, SLIM, ON LAST CAVITY
- △13 SIDE KEYING, SLIM, ON CAVITY 1
- △12 KEYING SLIM BETWEEN POSITIONS
- △11 PRELIMINARY PART NOT RELEASED FOR PRODUCTION
- △10 TE LOGO
- △9 INCLUSIVE COPPER LOADING
- △8 PCB PREFERABLY CHAMFERED
- △7 SLOT, THICK, FOR SIDE KEYING
- △6 SIDE KEYING, THICK, ON LAST CAVITY
- 5 WIRE RANG: 0.22-0.35mm² SEE APPLICATION SPEC. 114-18467
- △4 IEC60695-2-11 / IEC60335-1 GLOW WIRE TEST 750 °C WITHOUT FLAME
- △3 X..CAVITY LOADED WITH CONTACT
O..CAVITY WITHOUT CONTACT
- 2 MATING PART: PCB (WITH FRAMES ACC. RAST 2.5 E.G. PN 964 575/576
TAB HEADER (FOR EXAMPLE: X-1971921/922-Y)
- △1 KEYING RIBS; CUTTING WITH TERMINATION MACHINE POSSIBLE

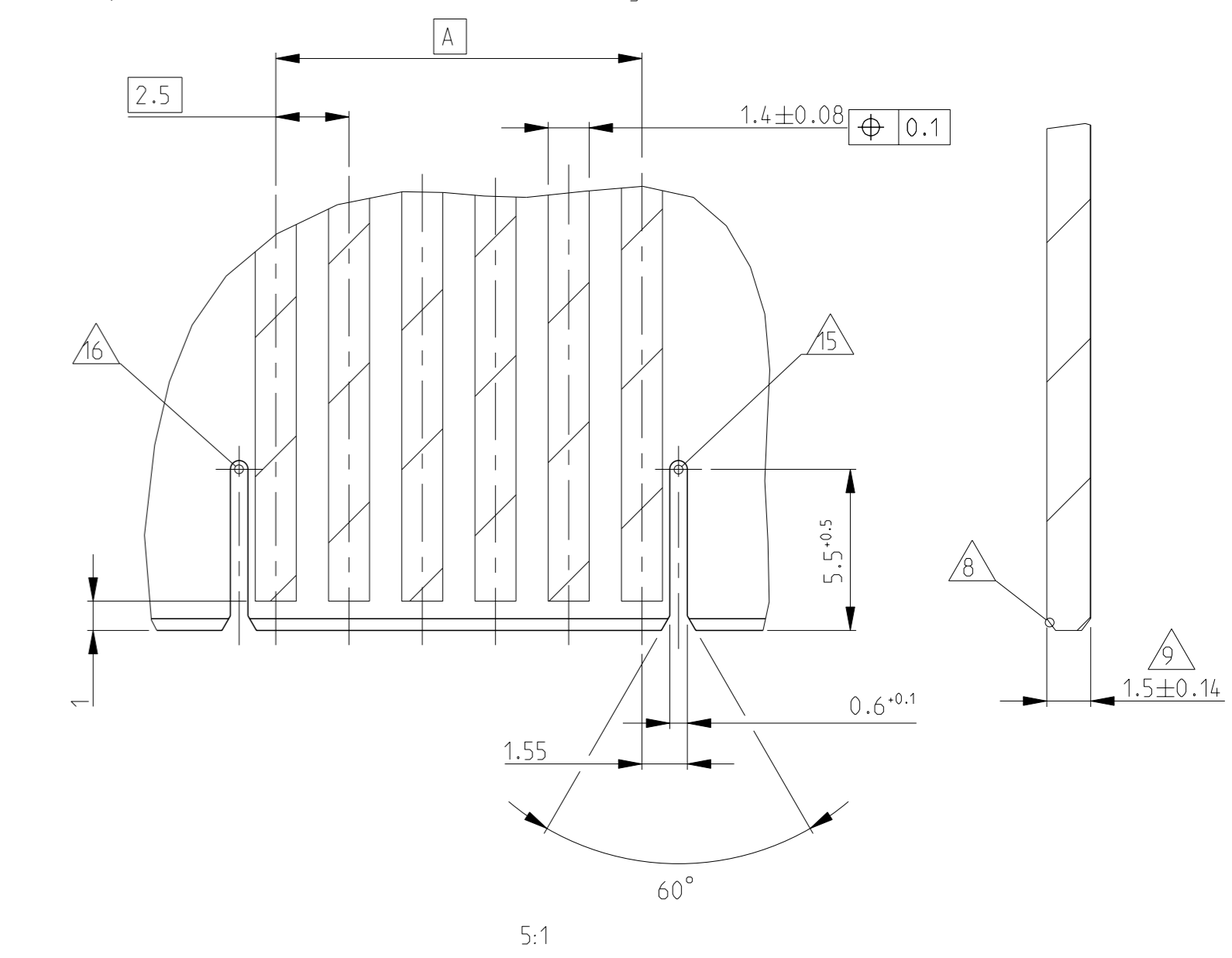
LOC	DIST	REVISIONS				
A1	-	REV	DESCRIPTION	DATE	OWN	APVD
		D51	ECR-20-100617	05NOV2020	W W	FL
		D52	ECR-20-101062	17DEC2020	P J	FL
		D53	ECR-21-100373	01FEB2021	S M	FL



PCB LAYOUT KEYED / CONNECTED ONLY WITH ADDITIONAL FRAME (THICK KEYING)
Leiterplattenanschluss kodiert / nur in Verbindung mit zusätzlichem Rahmen



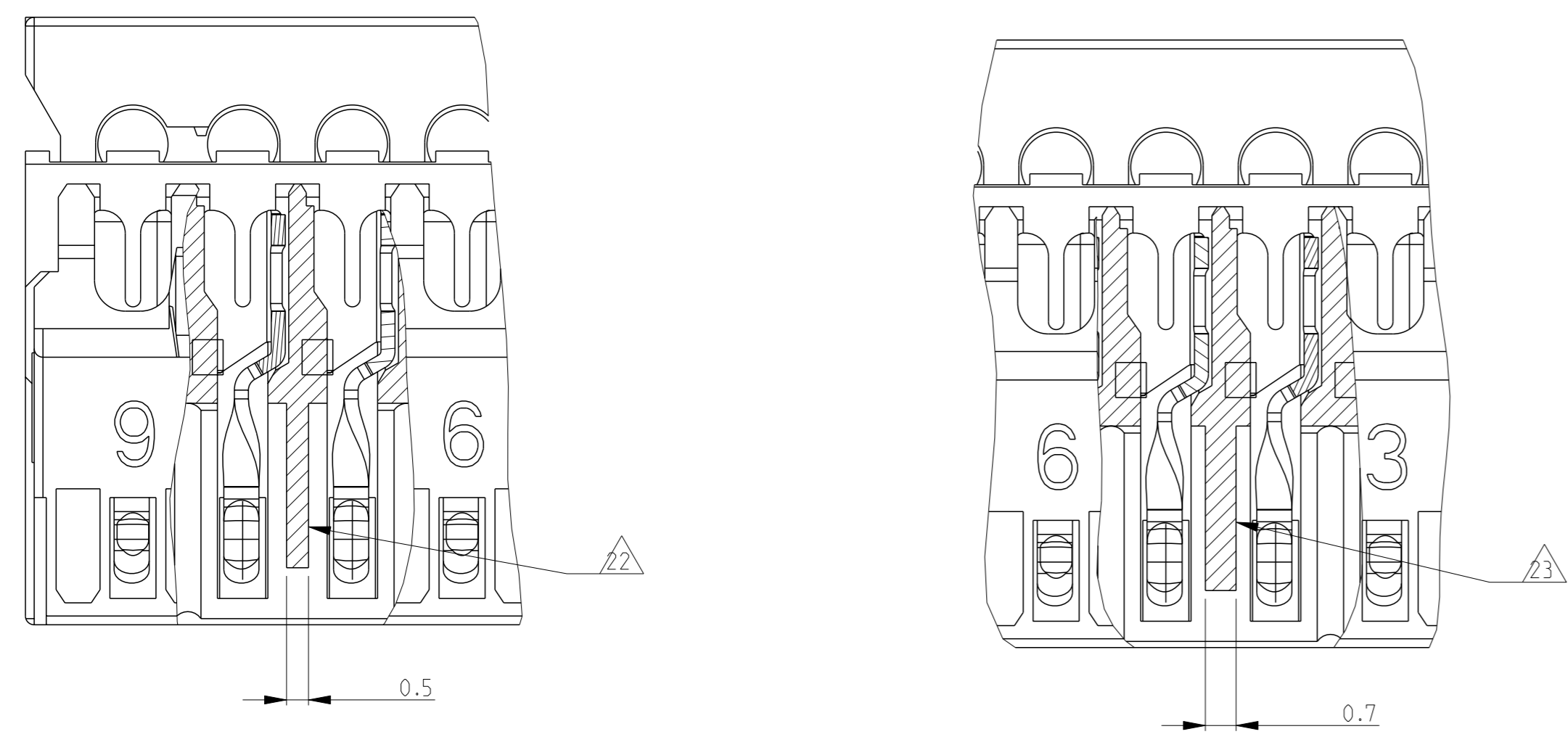
PCB LAYOUT KEYED / CONNECTED ONLY WITH ADDITIONAL FRAME (SLIM KEYING)
Leiterplattenanschluss kodiert / nur in Verbindung mit zusätzlichem Rahmen



OTHER NOTE SEE SHEET 3 OF 3.

THIS DRAWING IS A CONTROLLED DOCUMENT.		OWN: H. Karabiyik 24MAY2002	 TE Connectivity
DIMENSIONS: mm		CHK: B. Schnaubelt 24MAY2002	
TOLERANCES UNLESS OTHERWISE SPECIFIED:		APVD: T. Klenner 24MAY2002	NAME: AMP DUOPLUG 2.5 MARK II FEMALE CONNECTOR 3-20 POSITION SELECTIVE LOADED
0 PLC ±0.2 1 PLC ±0.2 2 PLC ±0.2 3 PLC ±0.2 4 PLC ± ANGLES FINISH ±°		PRODUCT SPEC: 108-18785 APPLICATION SPEC: 114-18467 WEIGHT: - Customer Drawing	
MATERIAL: -		SCALE: 10:1	RESTRICTED TO: -
		SHEET: 1 of 3	REV: D53

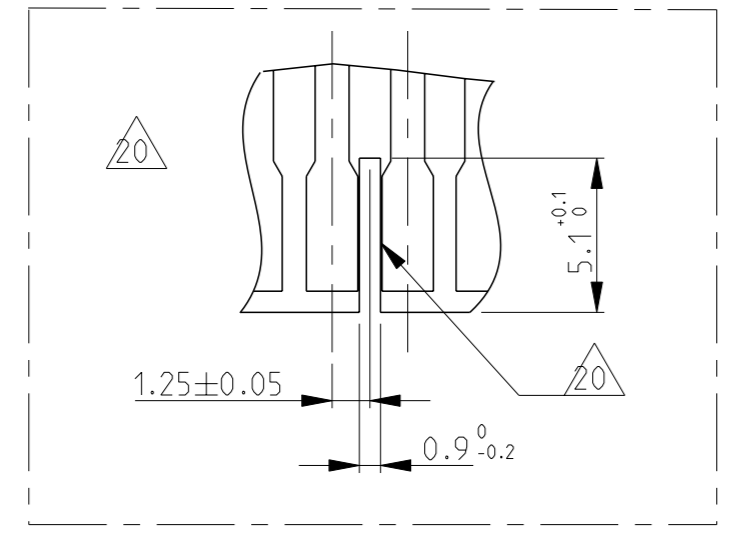
LOC	DIST	REVISIONS			
P	LYR	DESCRIPTION	DATE	DWN	APVD
-	-	SEE SHEET 1	-	-	-



KEYING

KEYING

- KEYING. SPECIAL THICK. BETWEEN POSITION
- KEYING. SPECIAL THIN. BETWEEN POSITION
- SLOT FOR KEYING SPECIAL. BETWEEN POSITION
- RECOMMENDED PCB CUTOFF DIMENSION FOR THE PN X-2304527-Y AND X-2304528-Y



GWEPT 750°C NO FLAME & UL94-V0, SILVER PLATED VERSION																												
Blue										X	0	X	3	5	9.9						5-2369989-3							
										X	0	X									4-2369989-3							
Color Code	20	19	18	17	16	15	14	13	12	11	10	9	8	7	6	5	4	3	2	1	POS. Polzahl	DIM A	DIM B					PN Bestell-Nr.
KAMMERBESTUECKUNG (CAVITIES LOADED)																												

2	1	SEE TABLE siehe Tabelle	CONTACT/Kontakt HOUSING/Federleistengeh.	CuSn HIGH TEMP PLASTIC	SILVERED NATUR/Natur
POS.	PN Bestell-Nr.	DESCRIPTION Beschreibung	MATERIAL	COLOUR/FINISH Farbe/Oberflaeche	

GWEPT 750°C NO FLAME & UL94-V0, TIN PLATED VERSION																																					
Blue										X	0	X	0	X	0	X	0	X	0	X	0	X	0	X	13	30	34.9						1-2304528-3				
										X	0	X	X	X	X	X	X	X	X	X	X	X	X	X	X	X	X	X							2304528-3		
										X	X	X	0	X	0	X	0	X	0	X	0	X	0	X	0	X	0	X							3-2304528-1		
Orange										X	0	X	0	X	0	X	0	X	0	X	0	X	0	X	0	X	0	X	11	25	29.9						2-2304528-1
Green										X	0	X	0	X	0	X	0	X	0	X	0	X	0	X	0	X	0	X							1-2304528-1		
										X	0	X	0	X	0	X	0	X	0	X	0	X	0	X	0	X	0	X							2304528-1		
										X	X	X	0	X	0	X	0	X	0	X	0	X	0	X	0	X	0	X							2-2304528-0		
										X	0	X	0	X	0	X	0	X	0	X	0	X	0	X	0	X	0	X							1-2304528-0		
GREEN										X	0	X	0	X	0	X	0	X	0	X	0	X	0	X	0	X	0	X							1/2	4-2304527-9	
										X	0	X	0	X	0	X	0	X	0	X	0	X	0	X	0	X	0	X								3-2304527-9	
										X	0	X	X	0	X	X	0	X	X	0	X	X	0	X	X	0	X	X								2-2304527-9	
Black										X	X	0	X	0	X	0	X	0	X	0	X	0	X	0	X	0	X	0							-	2/3	1-2304527-9
Blue										X	X	X	X	X	X	X	X	X	X	X	X	X	X	X	X	X	X	X							-	2/3	2304527-9
										X	0	X	0	X	0	X	0	X	0	X	0	X	0	X	0	X	0	X									4-2304527-7
										X	X	X	0	X	X	X	0	X	X	X	0	X	X	X	0	X	X	X									3-2304527-7
Black										X	X	X	X	0	0	X																			-	2/3	2-2304527-7
Green										X	0	X	0	X	0	X	0	X	0	X	0	X	0	X	0	X	0	X							-	-	1-2304527-7
Blue										X	0	X	0	X	0	X	0	X	0	X	0	X	0	X	0	X	0	X							-	-	2304527-7
Red										X	0	X	X	0	X	X	0	X	X	0	X	X	0	X	X	0	X	X									7-2304527-6
Red										X	X	0	X	0	X																						6-2304527-6
Black										X	0	X	X	0	X																						5-2304527-6
Green										X	X	0	X	0	X																						4-2304527-6
										0	0	X	X	X	X																						3-2304527-6
										X	0	X	X	0	X																						2-2304527-6
Blue										X	0	X	0	X	X																				-	-	1-2304527-6
Red										X	0	X	X	0	X																				-	-	2304527-6
Red										X	X	X	0	X																							4-2304527-5
Red										X	0	0	0	X																					3/4		3-2304527-5
										X	0	X	0	X																					-	-	2-2304527-5
Green										X	0	X	0	X																					-	-	1-2304527-5
Black										X	X	0	0																								2304527-5
Red										X	X	0	0																								4-2304527-4
Red										X	0	X																							2/3		8-2304527-3
										X	0	X																							1/2		7-2304527-3
										X	0	X																							2/3		6-2304527-3
Blue										X	0	X																									5-2304527-3
										X	0	X																									4-2304527-3
Black										X	0	X																								1/2	3-2304527-3
Red										X	0	X																								2/3	2-2304527-3
Brown										X	0	X																							-	-	1-2304527-3
Orange										X	0	X																							-	-	2304527-3
Color Code	20	19	18	17	16	15	14	13	12	11	10	9	8	7	6	5	4	3	2	1	POS. Polzahl	DIM A	DIM B					PN Bestell-Nr.									
KAMMERBESTUECKUNG (CAVITIES LOADED)																																					

2	1	SEE TABLE siehe Tabelle	CONTACT/Kontakt HOUSING/Federleistengeh.	CuSn HIGH TEMP PLASTIC	TINNED/verzinkt NATUR/Natur
POS.	PN Bestell-Nr.	DESCRIPTION Beschreibung	MATERIAL	COLOUR/FINISH Farbe/Oberflaeche	

THIS DRAWING IS A CONTROLLED DOCUMENT.

DIMENSIONS: mm	TOLERANCES UNLESS OTHERWISE SPECIFIED:	OWN H. Karabiyik 24MAY2002	CHK B. Schnabelt 24MAY2002	APVD T. Klenner 24MAY2002
0 PLC ±0.2	1 PLC ±0.2	2 PLC ±0.2	3 PLC ±0.2	4 PLC ±
ANGLES	FINISH	PRODUCT SPEC 108-18785 APPLICATION SPEC 116-18467 WEIGHT - Customer Drawing		

STE TE Connectivity

NAME AMP DUOPLUG 2.5 MARK II FEMALE CONNECTOR 3-20 POSITION SELECTIVE LOADED

SIZE CAGE CODE DRAWING NO 00779 ©=1534798

RESTRICTED TO SHEET 3 OF 3

SCALE 10:1

X-ON Electronics

Largest Supplier of Electrical and Electronic Components

Click to view similar products for [Headers & Wire Housings](#) category:

Click to view products by [TE Connectivity](#) manufacturer:

Other Similar products are found below :

[892-18-020-10-001101](#) [58102-G61-06LF](#) [582553-1](#) [0009485154](#) [009176003701906](#) [0050291907](#) [LY20-4P-DT1-P1E-BR](#) [02.125.8002.8](#)
[609-3404](#) [61062-3](#) [61082-181009](#) [622-3653LF](#) [63453-116](#) [636-1030](#) [636-1427](#) [636-3427](#) [636-4007](#) [641938-9](#) [641991-4](#) [644827-2](#) [65817-010LF](#) [65817-015LF](#) [65863-015LF](#) [66207-023LF](#) [67095-007LF](#) [67601157](#) [68645-018](#) [68648-049](#) [70.362.1628.0](#) [70-4210](#) [70-4226B](#) [70-4853B](#) [707-5020](#) [707-5028](#) [71.350.2428.0](#) [71918-208LF](#) [71961-016LF](#) [733-134](#) [733-162](#) [754199-000](#) [760-3052](#) [787-8014-00](#) [79531-3000](#)
[FCN-360C032-B](#) [FCN-367T-T012/H](#) [FCN-723D010/2](#) [80.063.4001.1](#) [800-90-001-10-001000](#) [800-90-010-10-002000](#) [801-43-002-10-013000](#)