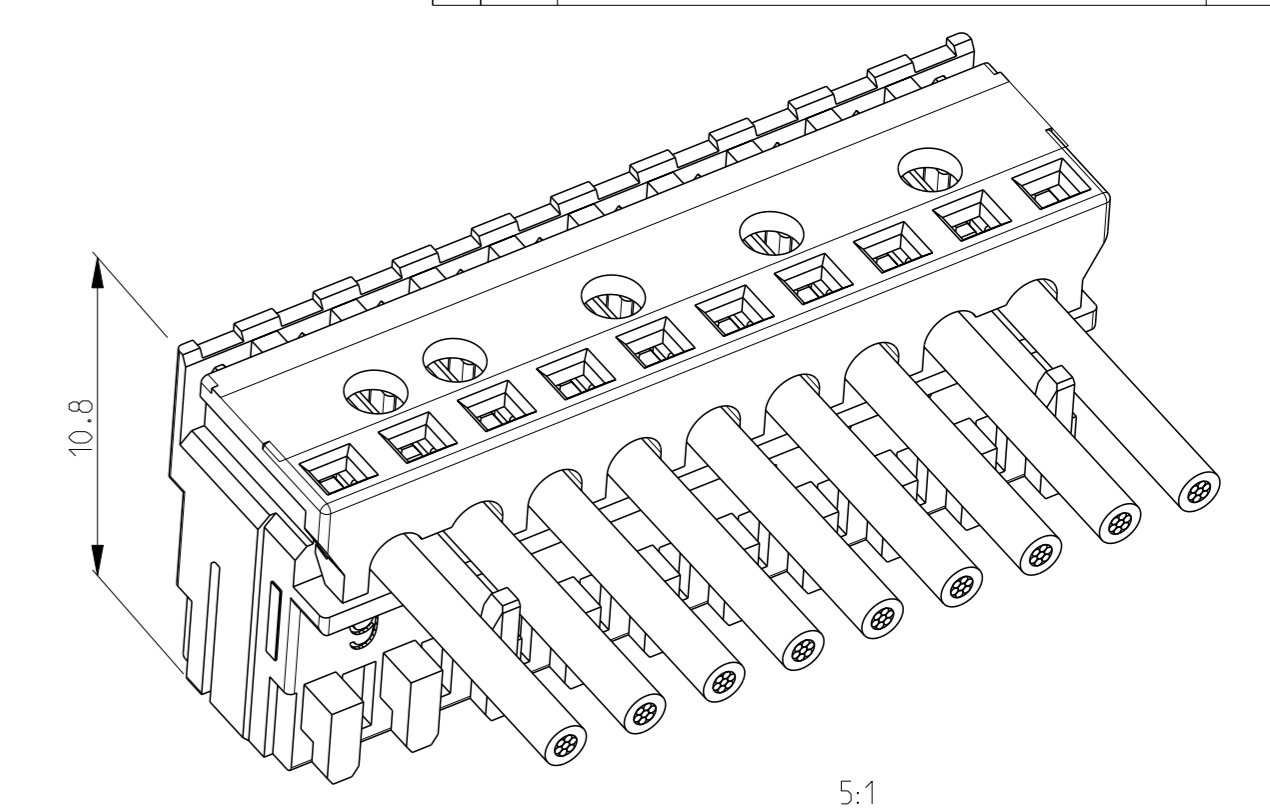
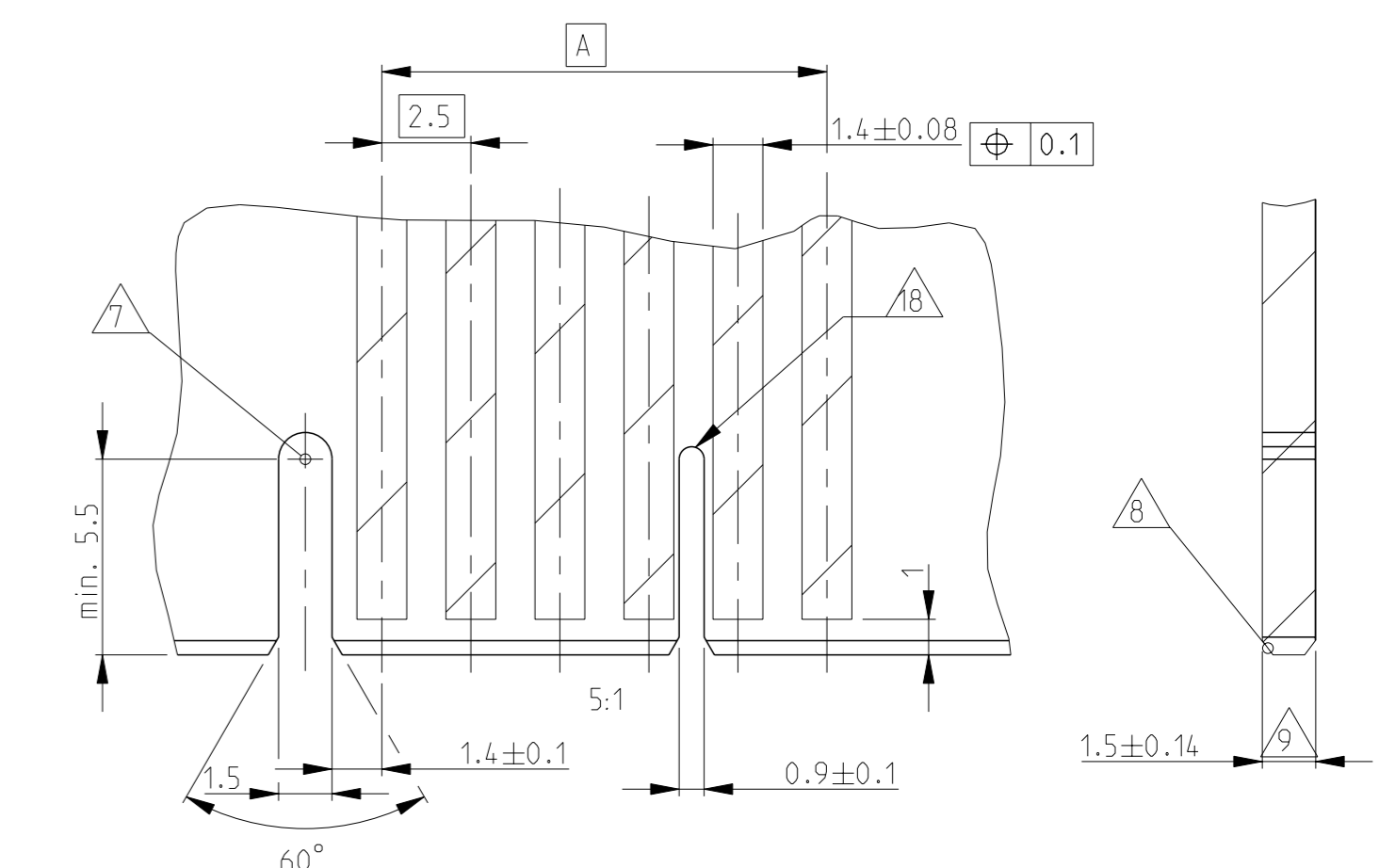


- ▲27 DIMENSION AVAILABLE FOR PART X-2304525-X, X-2304526-X.
- ▲26 WITH SPECIAL CHAIN FEATURE
- ▲25 SIDE KEYING ON LAST CAVITY THICKNESS=1.5mm
- ▲24 SIDE KEYING ON CAVITY 1 THICKNESS=1.5mm
- ▲19 COLOR STRIP ON COVER OF HOUSING, NOT THE COLOR OF HOUSING.
- ▲18 SLOT, THICK, BETWEEN CAVITIES
- ▲17 KEYING, THICK, BETWEEN POSITION
- ▲16 SLOT, SLIM, FOR SIDE KEYING, LAST CAVITY
- ▲15 SLOT, SLIM, FOR SIDE KEYING, SIDE CAVITY 1
- ▲14 SIDE KEYING, SLIM, ON LAST CAVITY
- ▲13 SIDE KEYING, SLIM, ON CAVITY 1
- ▲12 KEYING SLIM BETWEEN POSITIONS
- ▲11 PRELIMINARY PART NOT RELEASED FOR PRODUCTION
- ▲10 TE LOGO
- ▲9 INCLUSIVE COPPER LOADING
- ▲8 PCB PREFERABLY CHAMFERED
- ▲7 SLOT, THICK, FOR SIDE KEYING
- ▲6 SIDE KEYING, THICK, ON LAST CAVITY
- 5 WIRE RANG: 0.22-0.35mm² SEE APPLICATION SPEC. 114-18467
- ▲4 IEC60695-2-11 / IEC60335-1 GLOW WIRE TEST 750 °C WITHOUT FLAME
- ▲3 X..CAVITY LOADED WITH CONTACT
O..CAVITY WITHOUT CONTACT
- 2 MATING PART: PCB (WITH FRAMES ACC. RAST 2.5 E.G. PN 964 575/576
TAB HEADER (FOR EXAMPLE: X-1971921/922-Y)
- ▲1 KEYING RIBS; CUTTING WITH TERMINATION MACHINE POSSIBLE

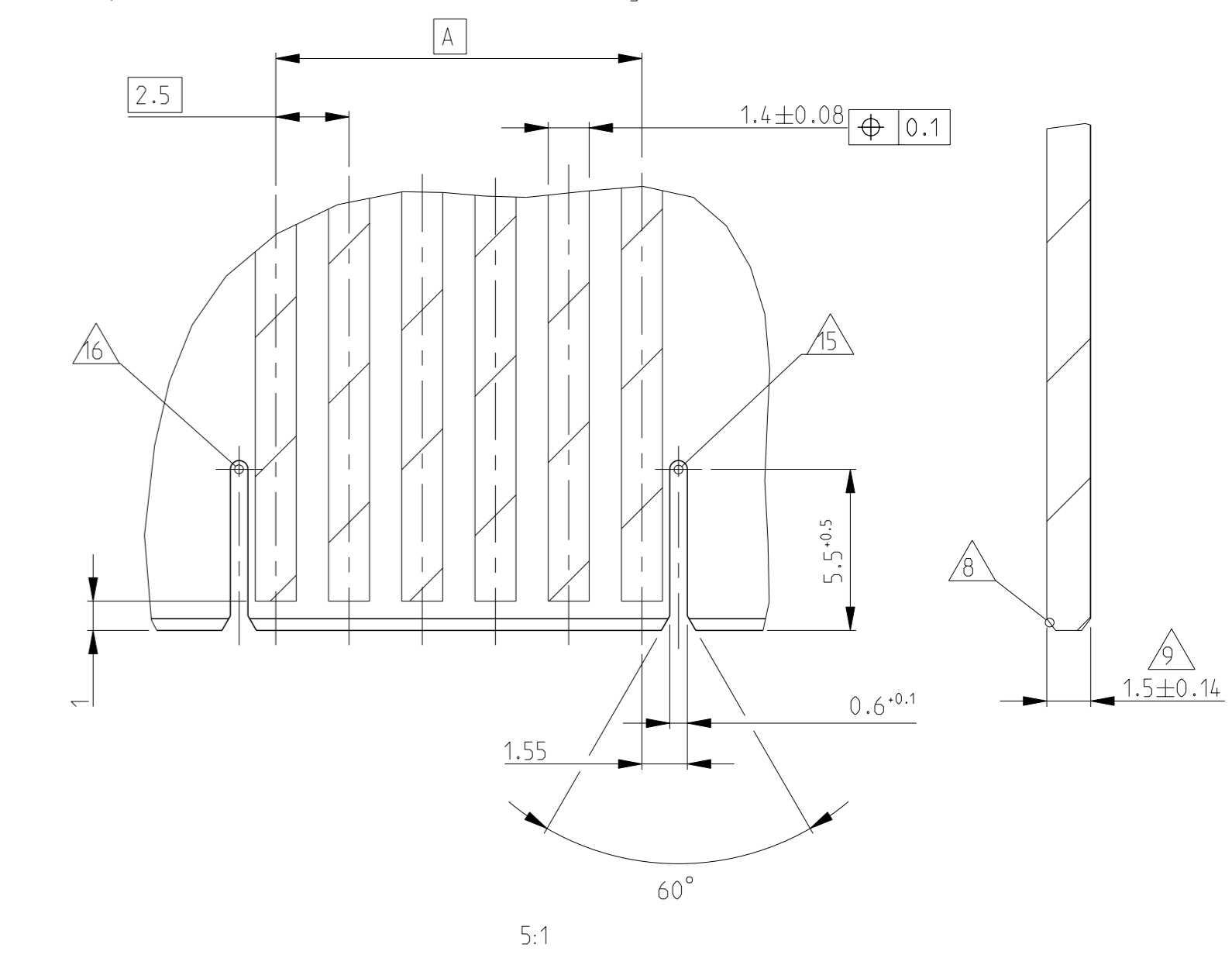
LOC	DIST	REVISIONS				
A1	-	REV	DESCRIPTION	DATE	OWN	APVD
		D51	ECR-20-100617	05NOV2020	W W	FL
		D52	ECR-20-101062	17DEC2020	P J	FL
		D53	ECR-21-100373	01FEB2021	S M	FL



PCB LAYOUT KEYED / CONNECTED ONLY WITH ADDITIONAL FRAME (THICK KEYING)
Leiterplattenanschluss kodiert / nur in Verbindung mit zusätzlichem Rahmen



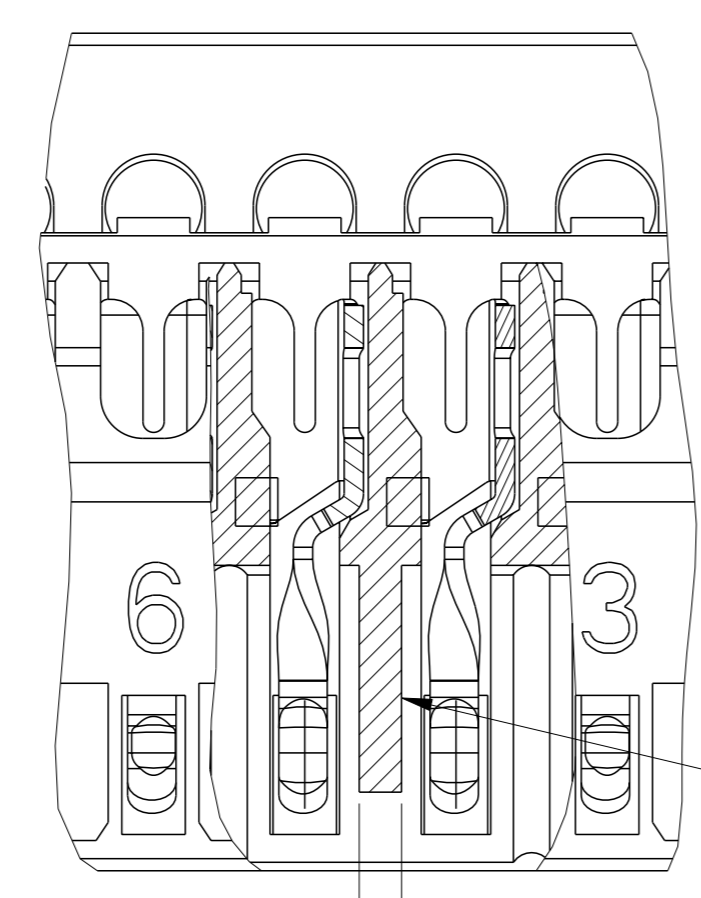
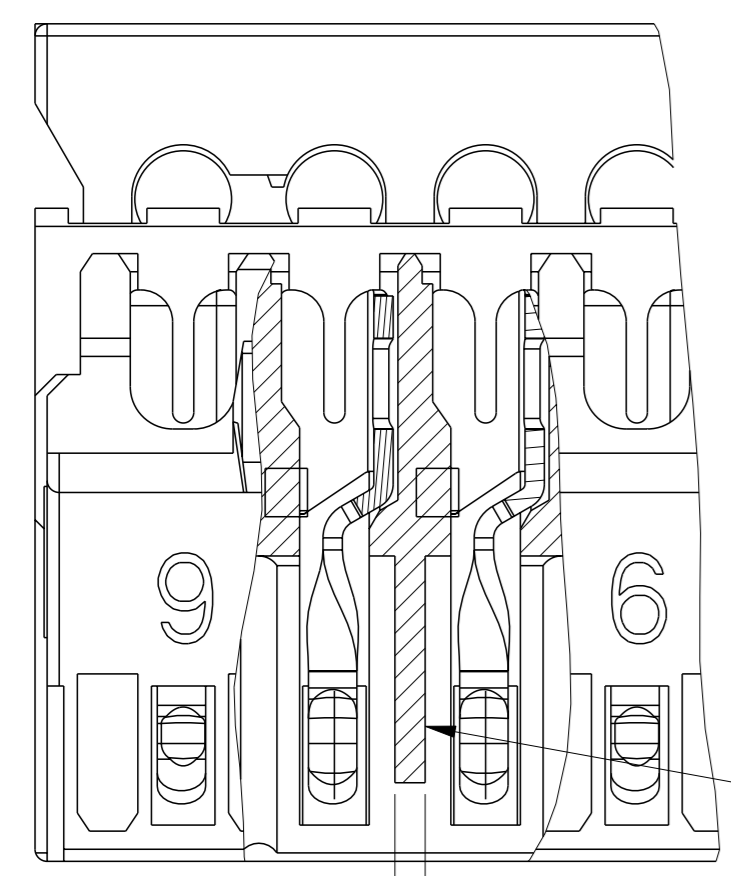
PCB LAYOUT KEYED / CONNECTED ONLY WITH ADDITIONAL FRAME (SLIM KEYING)
Leiterplattenanschluss kodiert / nur in Verbindung mit zusätzlichem Rahmen



OTHER NOTE SEE SHEET 3 OF 3.

THIS DRAWING IS A CONTROLLED DOCUMENT.		OWN: H. Karabiyik 24MAY2002	 TE Connectivity
		CHK: B. Schnaubelt 24MAY2002	
DIMENSIONS: mm		APVD: T. Klenner 24MAY2002	NAME: AMP DUOPLUG 2.5 MARK II FEMALE CONNECTOR 3-20 POSITION SELECTIVE LOADED
TOLERANCES UNLESS OTHERWISE SPECIFIED:		PRODUCT SPEC: 108-18785	
0 PLC ±0.2 1 PLC ±0.2 2 PLC ±0.2 3 PLC ±0.2 4 PLC ± ANGLES ±°		APPLICATION SPEC: 114-18467	SIZE: 114-18467
MATERIAL: -		WEIGHT: -	RESTRICTED TO: -
		Customer Drawing	SCALE: 10:1 SHEET: 1 OF 3 REV: D53

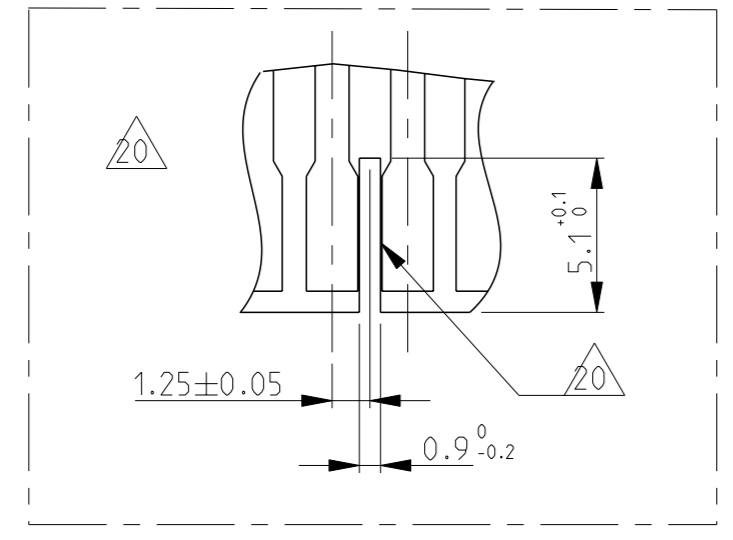
LOC	DIST	REVISIONS			
P	LYR	DESCRIPTION	DATE	OWN	APVD
-	-	SEE SHEET 1	-	-	-



KEYING $\triangle 22$

KEYING $\triangle 23$

- $\triangle 23$ KEYING. SPECIAL THICK. BETWEEN POSITION
- $\triangle 22$ KEYING. SPECIAL THIN. BETWEEN POSITION
- $\triangle 21$ SLOT FOR KEYING SPECIAL. BETWEEN POSITION
- $\triangle 20$ RECOMMENDED PCB CUTOFF DIMENSION FOR THE PN X-2304527-Y AND X-2304528-Y



GWEPT 750°C NO FLAME & UL94-V0, SILVER PLATED VERSION																							
Blue																			X	0	X		
																			X	0	X		
Color Code	20	19	18	17	16	15	14	13	12	11	10	9	8	7	6	5	4	3	2	1			
	KAMMERBESTUECKUNG (CAVITIES LOADED) $\triangle 3$															POS. Polzahl	DIM A	DIM B	$\triangle 22$ KEYING	$\triangle 21$ KEYING	$\triangle 23$ KEYING	$\triangle 22$ KEYING	PN $\triangle 26$ Bestell-Nr.

2	SEE TABLE	CONTACT/Kontakt	CuSn	SILVERED
1	siehe Tabelle	HOUSING/Federleistengeh.	HIGH TEMP PLASTIC $\triangle 4$	NATUR/Natur
POS.	PN Bestell-Nr.	DESCRIPTION Beschreibung	MATERIAL	COLOUR/FINISH Farbe/Oberflaeche

GWEPT 750°C NO FLAME & UL94-V0, TIN PLATED VERSION																							
Blue																			X	0	X		
																			X	0	X		
Orange																							
Green																							
																			X	0	X		
																			X	0	X		
GREEN																							
Black																							
Blue																							
Black																							
Green																							
Blue																							
Red																							
Red																							
Black																							
Green																							
Blue																							
Red																							
Red																							
Green																							
Black																							
Red																							
Red																							
Blue																							
Black																							
Red																							
Brown																							
Orange																							
Color Code	20	19	18	17	16	15	14	13	12	11	10	9	8	7	6	5	4	3	2	1			
	KAMMERBESTUECKUNG (CAVITIES LOADED) $\triangle 3$															POS. Polzahl	DIM A	DIM B	$\triangle 22$ KEYING	$\triangle 21$ KEYING	$\triangle 23$ KEYING	$\triangle 22$ KEYING	PN $\triangle 26$ Bestell-Nr.

2	SEE TABLE	CONTACT/Kontakt	CuSn	TINNED/verzinkt
1	siehe Tabelle	HOUSING/Federleistengeh.	HIGH TEMP PLASTIC $\triangle 4$	NATUR/Natur
POS.	PN Bestell-Nr.	DESCRIPTION Beschreibung	MATERIAL	COLOUR/FINISH Farbe/Oberflaeche

<p>THIS DRAWING IS A CONTROLLED DOCUMENT.</p> <p>DIMENSIONS: mm</p> <p>TOLERANCES UNLESS OTHERWISE SPECIFIED:</p> <p>0 PLC ±0.2</p> <p>1 PLC ±0.2</p> <p>2 PLC ±0.2</p> <p>3 PLC ±0.2</p> <p>4 PLC ±</p> <p>ANGLES FINISH</p> <p>MATERIAL</p>	<p>OWN H. Karabiyik 24MAY2002</p> <p>CHK B. Schnaubelt 24MAY2002</p> <p>APVD T. Klennert 24MAY2002</p> <p>PRODUCT SPEC</p> <p>108-18785</p> <p>APPLICATION SPEC</p> <p>116-18467</p> <p>WEIGHT</p> <p>Customer Drawing</p>	<p>STE TE Connectivity</p> <p>NAME AMP DUOPLUG 2.5 MARK II FEMALE CONNECTOR 3-20 POSITION SELECTIVE LOADED</p> <p>SIZE CAGE CODE DRAWING NO. RESTRICTED TO</p> <p>A 1 00779 C=1534798</p> <p>SCALE 10:1 SHEET 3 OF 3 REV 053</p>
---	--	---

X-ON Electronics

Largest Supplier of Electrical and Electronic Components

Click to view similar products for [Headers & Wire Housings](#) category:

Click to view products by [TE Connectivity](#) manufacturer:

Other Similar products are found below :

[892-18-020-10-001101](#) [58102-G61-06LF](#) [582553-1](#) [0009485154](#) [009176003701906](#) [0050291907](#) [LY20-4P-DT1-P1E-BR](#) [02.125.8002.8](#)
[609-3404](#) [61062-3](#) [61082-181009](#) [622-3653LF](#) [63453-116](#) [636-1030](#) [636-1427](#) [636-3427](#) [636-4007](#) [641938-9](#) [641991-4](#) [644827-2](#) [65817-](#)
[010LF](#) [65817-015LF](#) [65863-015LF](#) [66207-023LF](#) [67095-007LF](#) [67601157](#) [68645-018](#) [68648-049](#) [70.362.1628.0](#) [70-4210](#) [70-4226B](#) [70-](#)
[4853B](#) [707-5020](#) [707-5028](#) [71.350.2428.0](#) [71918-208LF](#) [71961-016LF](#) [733-134](#) [733-162](#) [754199-000](#) [760-3052](#) [79531-3000](#) [FCN-](#)
[360C032-B](#) [FCN-367T-T012/H](#) [FCN-723D010/2](#) [80.063.4001.1](#) [800-90-010-10-002000](#) [801-43-002-10-013000](#) [801-43-006-10-002000](#)
[801-93-011-10-001000](#)