

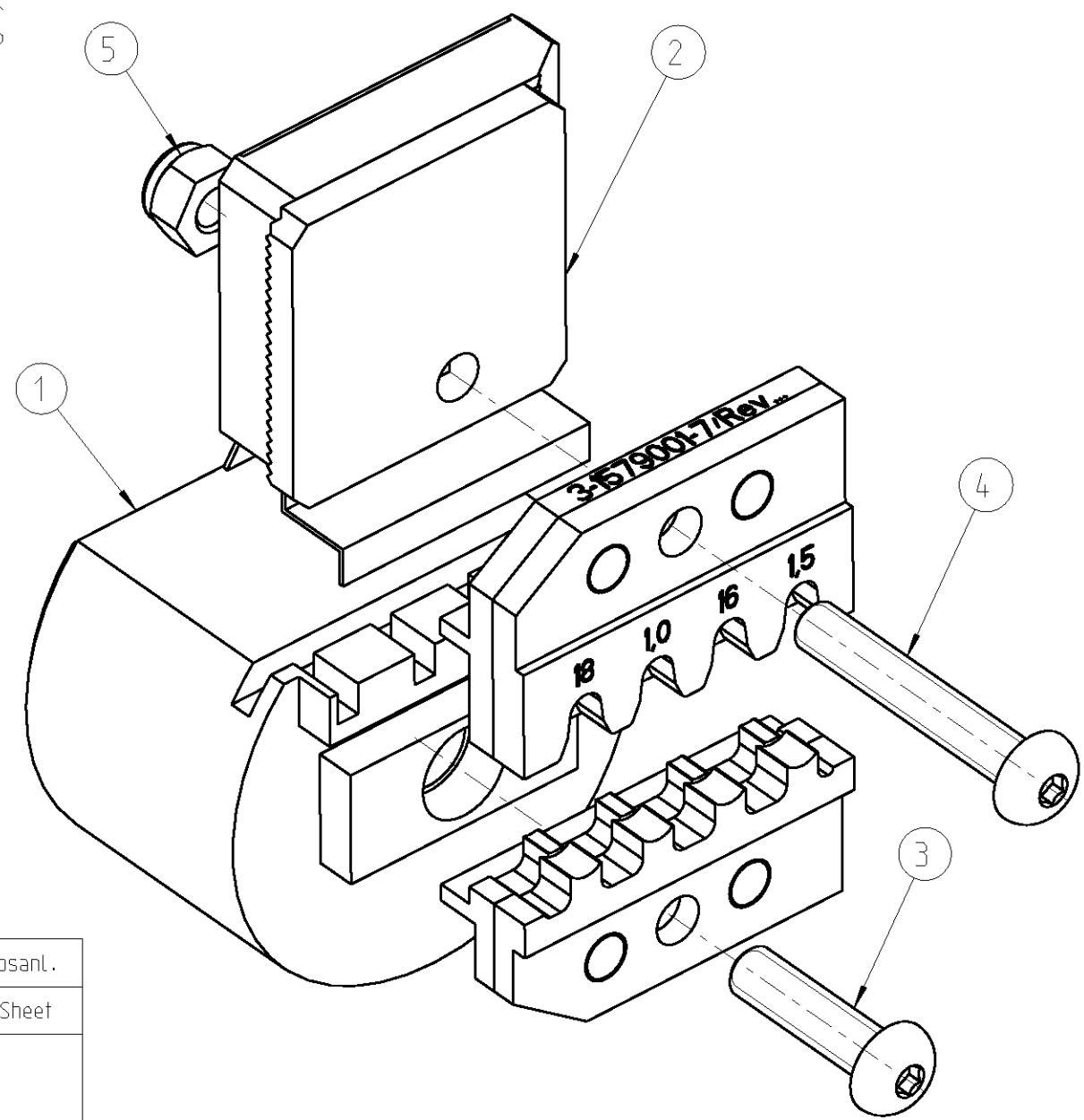
THIS DRAWING IS UNPUBLISHED. RELEASED FOR PUBLICATION 2008  
 © COPYRIGHT 2008 BY TYCO ELECTRONICS CORPORATION. ALL RIGHTS RESERVED.

LOC	DIST	REVISIONS			
P	LTR	DESCRIPTION	DATE	DWN	APVD
A1	-				

# ERGOCRIMP DIE SET FOR MCON 1.2 CLEAN BODY SWS

Matrize in Kombination mit Ergocrimp Basishandzange TE P/N 539635-1 verwenden  
 Use die set in combination with Ergocrimp basis hand tool TE P/N 539635-1

Matrize im Karton mit Bedienungsanleitung 411-18448 verpackt  
 Die set packed in a cardboard with instruction sheet 411-18448



3-1579001-7	1	9-0744012-8	Instruction Sheet	Bedienungsanleitung	6
	1	0-0519024-2	Nut M4 DIN 985	Mutter M4 DIN 985	5
	1	1-0519151-3	Screw M4x25	Schraube M4x25	4
	1	1-0519151-1	Screw M4x16	Schraube M4x16	3
	1	8-1579013-1	Locator Assembly	Drahtanschlag	2
	1	8-1579013-0	Contact Locator	Kontaktpositionierer	1
	QTY Stck	TE P/N	Description	Benennung	Pos.

Kontakt	DGB (mm <sup>2</sup> )	Drahtcrimp / Wire Crimp		Isolationscrimp / Insulation Crimp		Isol.Ø	Betriebsanl.
Contact	AWG	Hoehe/Height mm	Breite/Width mm	Hoehe/Height mm	Breite/Width mm	Ins.Range	Instr.Sheet
1418851	18	1.11 ±0.05	1.78 F	3.45 max.	3.30 0	1.9-2.4	411-18448
	1.0	1.18 ±0.05					
	16	1.31 ±0.05					
	1.5	1.36 ±0.05					

<small>THIS DRAWING IS A CONTROLLED DOCUMENT FOR TYCO ELECTRONICS CORPORATION IT IS SUBJECT TO CHANGE AND THE CONTROLLING ENGINEERING ORGANIZATION SHOULD BE CONTACTED FOR THE LATEST REVISION.</small>		DWN	Ch.Witt 12AUG2008		tyco Electronics AMP GmbH D - 64625 Bensheim
DIMENSIONS: mm		CHK	-		
		APVD	-		NAME ERGOCRIMP DIE SET FOR MCON 1.2 CLEAN BODY SWS
TOLERANCES UNLESS OTHERWISE SPECIFIED: 0 PLC ± 1 PLC ± 2 PLC ± 3 PLC ± 4 PLC ± ANGLES ±1°		PRODUCT SPEC	-		
MATERIAL -		APPLICATION SPEC	-		SIZE A3 CAGE CODE 00779 DRAWING NO. C-3-1579001-7
FINISH -		WEIGHT	200 g		RESTRICTED TO -
		CUSTOMER DRAWING		SCALE 2:1	SHEET 1 OF 1 REV A

## **X-ON Electronics**

Largest Supplier of Electrical and Electronic Components

*Click to view similar products for [Punches & Dies](#) category:*

*Click to view products by [TE Connectivity](#) manufacturer:*

Other Similar products are found below :

[58510-1](#) [63454-1601](#) [63457-0056](#) [63457-3401](#) [730-5/8](#) [730BB-1-3/8](#) [PV-670508-001](#) [1328](#) [1338](#) [13782656](#) [13782673](#) [13782686](#) [AR-24](#)  
[1528-TL](#) [1583609-1](#) [1720](#) [1762951-1](#) [2063500-2](#) [19031-0168](#) [AR-20](#) [313336-3](#) [539663-1](#) [63446-2241](#) [TL-18](#) [0634451912](#) [1762674-1](#)  
[63454-0123](#) [68240-1](#) [68247-1](#) [734252](#) [313183-1](#) [PA2029](#) [119174-001](#) [23846-1](#) [11-40-5342](#) [68010-2](#) [690370015](#) [730BB-1-1/8](#) [730BB-1-](#)  
[1/16](#) [19032-0048](#) [63465-0023](#) [11-40-4438](#) [63457-0041](#) [2906252-01](#) [19032-0202](#) [11-11-0054](#) [11-11-0052](#) [19813-5041](#) [63863-2103](#) [19032-](#)  
[0201](#)