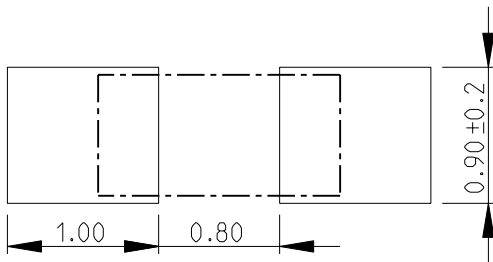
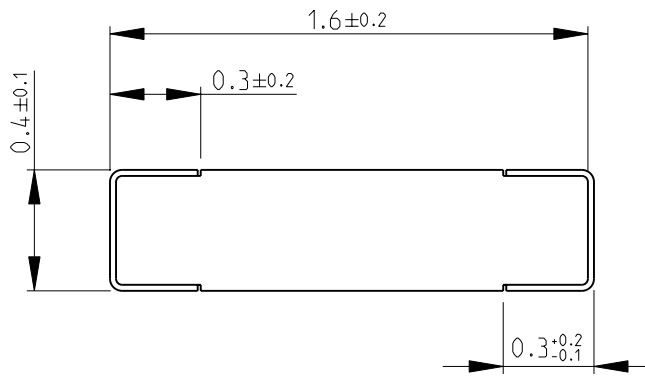
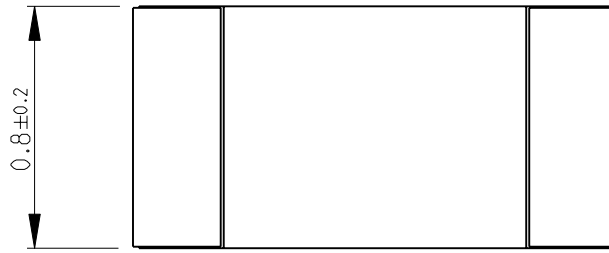


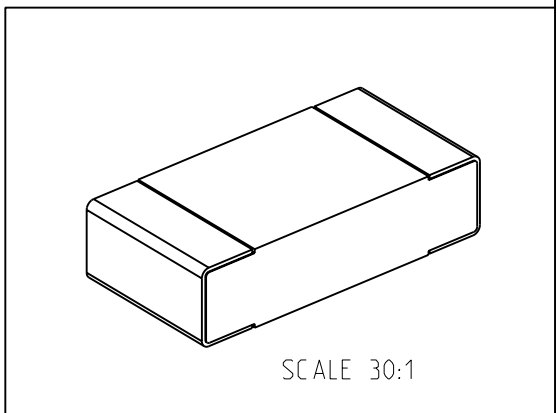
|     |      |           |     |             |           |     |      |
|-----|------|-----------|-----|-------------|-----------|-----|------|
| LOC | DIST | REVISIONS |     |             |           |     |      |
| E   | B    | P         | LTR | DESCRIPTION | DATE      | DWN | APVD |
|     |      |           | BA  | NEW RELEASE | 05-FEB-10 | MRS | St.P |

FOR FURTHER INFORMATION SEE DATA SHEET FOR  
RN73 SERIES-HIGH PRECISION RESISTORS (SMD)



RECOMMENDED LAND PATTERN

RoHS Compliant



2010

RELEASED FOR PUBLICATION

THIS DRAWING IS UNPUBLISHED.

BY TYCO ELECTRONICS CORPORATION. ALL RIGHTS RESERVED.

© COPYRIGHT 2010

|  |                  |           |  |            |           |               |
|--|------------------|-----------|--|------------|-----------|---------------|
| DIMENSIONS:<br>mm                      | DWN MAHARUDRA    | 05-FEB-10 | MATERIAL   | -          | FINISH    | -             |
|  | CHK ALLAN.P      | 05-FEB-10 | Tyco Electronics Corporation<br>Dorcan, Swindon, SN3 5HH |            |           |               |
| TOLERANCES UNLESS OTHERWISE SPECIFIED: | APVD STEPHEN.P   | 05-FEB-10 |  |            |           |               |
| 0 PLC ±0.2                             | PRODUCT SPEC     | -         | NAME<br>HIGH PRECISION RESISTORS (SMD)<br>SERIES RN73 1J |            |           |               |
| 1 PLC ±0.1                             | APPLICATION SPEC | -         |  |            |           |               |
| 2 PLC ±-                               | WEIGHT           | -         | SIZE   | A 4        | CAGE CODE | 00779         |
| 3 PLC ±-                               |                  |           | DRAWING NO   | C= 1614353 |           | RESTRICTED TO |
| 4 PLC ±-                               |                  |           |  |            |           | -             |
| ANGLES ±5°                             |                  |           |  |            |           |               |
|  | CUSTOMER DRAWING |           | SCALE  | 40:1       | SHEET     | 1 OF 1        |
|  |                  |           |  |            |           | REV BA        |

## X-ON Electronics

Largest Supplier of Electrical and Electronic Components

*Click to view similar products for [TE Connectivity](#) manufacturer:*

Other Similar products are found below :

[D38999/24FJ4AN](#) [570416-000](#) [CLTEQ-M81CE-SSRELAY-4-20V](#) [4-1195131-0](#) [650069-000](#) [SMD100-2](#) [358838-000](#) [CB-1022B-78](#)  
[RM707012](#) [RP410012](#) [MMS42](#) [1-640426-8](#) [2EDL4CM](#) [DTS20W19-11PD-3028-LC](#) [RM202615](#) [NC6-P104-06](#) [MSPS103B](#) [DTS26F21-](#)  
[41HE-LC](#) [DTS26F21-41AE](#) [DTS26F21-41PE-LC](#) [DTS26F21-11SE-3028-LC](#) [30DCB6](#) [1932144-1](#) [293545-4](#) [LVR125S](#) [MS27466T25F4PB](#)  
[CKB-38-78010](#) [TR04AI-TINELLOCKRING](#) [1206SFF150F/63-2](#) [D38999/20JB35HA](#) [TE1500A2R2J](#) [D38999/20WC8BB](#) [DTS24F19-11SC-](#)  
[3028-LC](#) [D38999/24WG11HA](#) [D38999/24WG11HN](#) [MS27467T21F11H](#) [DJT16E21-11HA](#) [MS27467T21F35J](#) [MS27467T21F11J](#)  
[MS27467T21F16H-LC](#) [MS27467T21F35H](#) [MS27467T21F41H-LC](#) [1206SFH150F/24-2](#) [RP330024](#) [DJT16E21-11PA-LC](#) [DJT16E21-11HA-](#)  
[LC](#) [DJT16E21-11AA](#) [MS27467T21B11JA](#) [DJT16E21-11JA](#) [MS27467T21B11JA-LC](#)