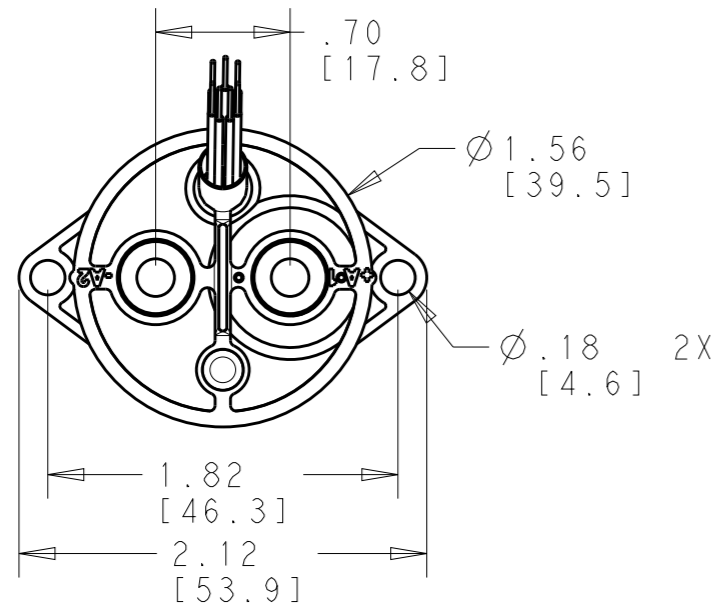


REVISIONS

| P | LTR | DESCRIPTION | DATE | DWN | APVD |
|---|-----|-----------------|-----------|-----|------|
| | A | INITIAL RELEASE | 30DEC2016 | MP | MP |

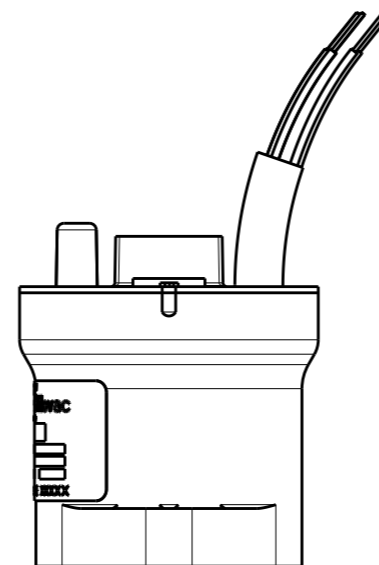
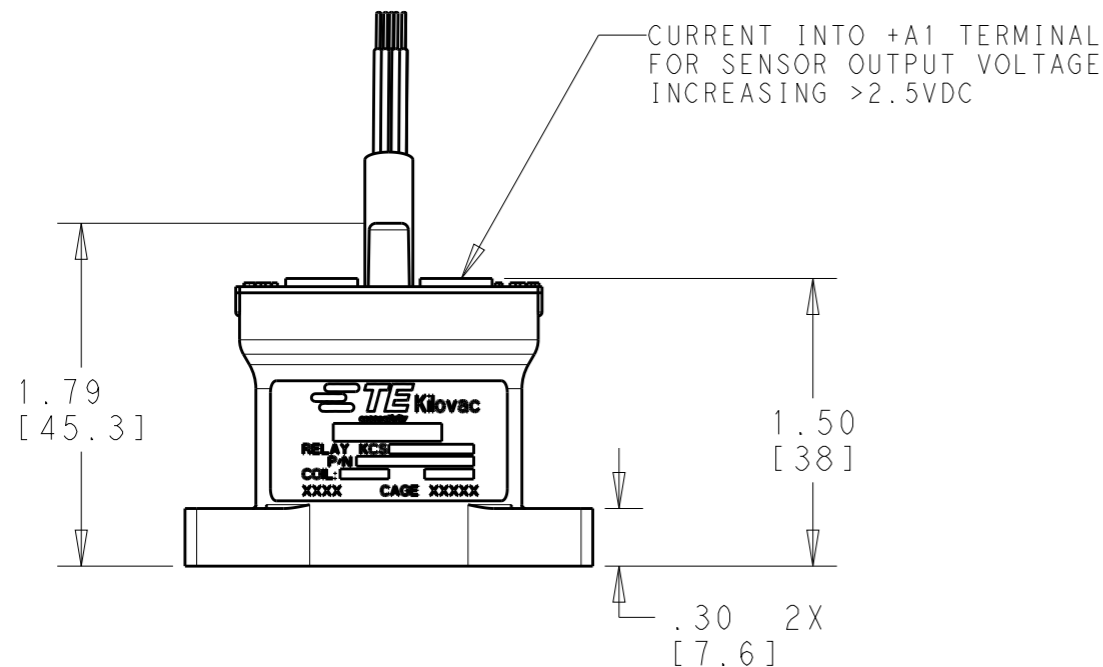


MOUNTING - 2 PLCS (HARDWARE NOT SUPPLIED)
 2 X M4 BOLT, LOCKWASHER AND WASHER
 TORQUE: 20 IN-LBS (2.3 NM) MAX

LOAD TERMINALS-2 PLCS (HARDWARE NOT SUPPLIED)
 2 X M5 BOLT, LOCKWASHER AND WASHER
 TORQUE: 30-40 IN-LBS (3.4 TO 4.5 NM)
 DEPTH: 7 THREADS MAX



OBSERVE PROPER POLARITIES FOR CONTROL LINES
 UNTERMINATED WIRES - USE ESD HANDLING PROCEDURES



NOTES:

- LEAD LENGTH 15" +/- 0.5" FROM TOP OF TERMINAL SEAT
 - 26 AWG RED = +V_{coil}
 - 26 AWG BLACK = RETURN
 - 26 AWG PURPLE = TRIP DELAY/DISABLE
 - 26 AWG ORANGE = CURRENT SENSE POWER
 - 26 AWG WHITE = CURRENT SENSE OUTPUT
 - 26 AWG BLUE = Rx CONNECTION
 - 26 AWG YELLOW = Rx CONNECTION
- METRIC DIMENSIONS FOR REFERENCE ONLY
 WEIGHT: 150 GRAMS MAX
 SEE PRODUCT DATA SHEET FOR PERFORMANCE SPECIFICATIONS

| | | | | | |
|--|--|-----------------------|--------------|--|-----------------------------|
| THIS DRAWING IS A CONTROLLED DOCUMENT. | | DWN MP | 30DEC2016 | TE Connectivity | |
| DIMENSIONS: IN | | CHK MP | 30DEC2016 | | |
| TOLERANCES UNLESS OTHERWISE SPECIFIED: | | APVD MP | 30DEC2016 | NAME KCS01X SERIES CONTACTOR, SPST-NO, 100A | |
| 0 PLC ±- 1 PLC ±.1 2 PLC ±.03 3 PLC ± 4 PLC ± ANGLES ±1 | | PRODUCT SPEC - | | SIZE A3 | |
| MATERIAL - | | APPLICATION SPEC - | | CAGE CODE 18741 | DRAWING NO KCS01X_SERIES |
| FINISH | | WEIGHT | | RESTRICTED TO - | |
| CUSTOMER DRAWING | | | SCALE 1:1 | SHEET 1 OF 1 | REV A |

X-ON Electronics

Largest Supplier of Electrical and Electronic Components

Click to view similar products for [Contactors - Electromechanical category:](#)

Click to view products by [TE Connectivity manufacturer:](#)

Other Similar products are found below :

[6-1618400-7](#) [686-117111](#) [686-120111](#) [686-924](#) [686-948](#) [70-901](#) [70-914](#) [MB-3D-6](#) [MC-22A/4-AC120V](#) [8-1616943-9](#) [8-1672124-5](#)
[A40-30-10-84](#) [120-905](#) [A701U](#) [120-904](#) [1393132-9](#) [154-905](#) [154-912](#) [154-913](#) [154-915](#) [154-902](#) [154-910](#) [AVR743D](#) [B6-40-00-84](#) [B7-40-00-84](#) [1616017-5](#) [1616021-1](#) [MVDILM](#) [HP-11D-24](#) [P25-E5019-1](#) [P30C47A12D1-120](#) [P40C47A12D1-120](#) [P40P47D13P1-24-01](#) [CA7-12-10-240](#) [CA7-72-00-24Z](#) [90-162](#) [9-1393132-2](#) [2NC4F0222](#) [A275KXXV2-120VAC](#) [ACC338UMM20](#) [AF80-30-11-13](#) [SZ-B1](#) [CGC-9A-120](#) [3GC2H0M22](#) [3NC0T0A22](#) [3NC1Q0A22](#) [3NC2H0A22](#) [3NC2T0122/SE](#) [3TF3400-0BB4](#) [MC-12B-DC24V](#)