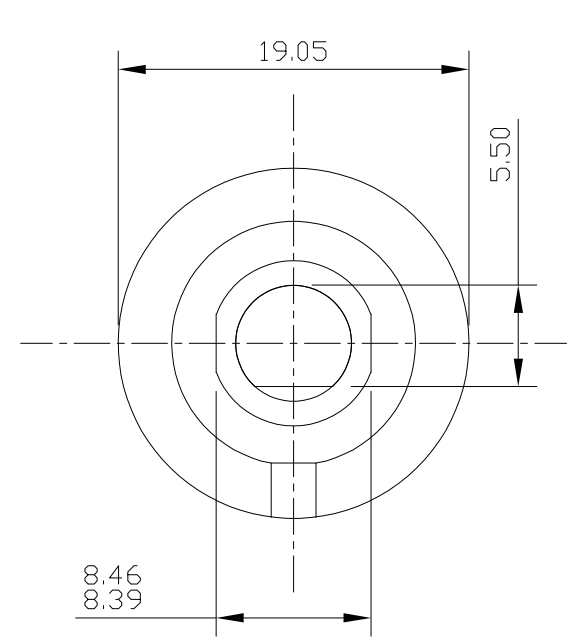
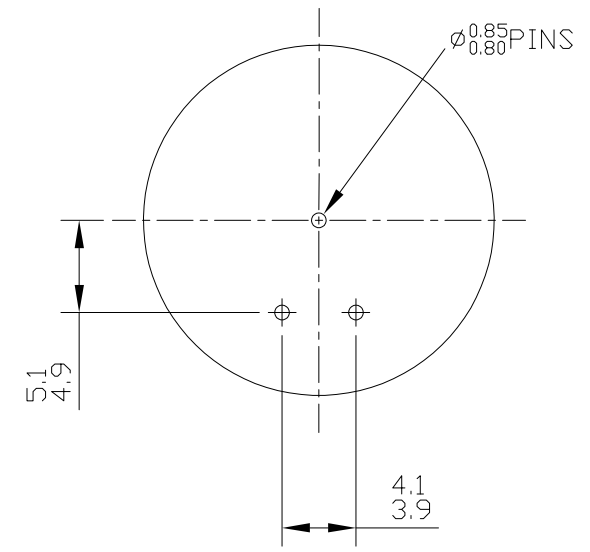
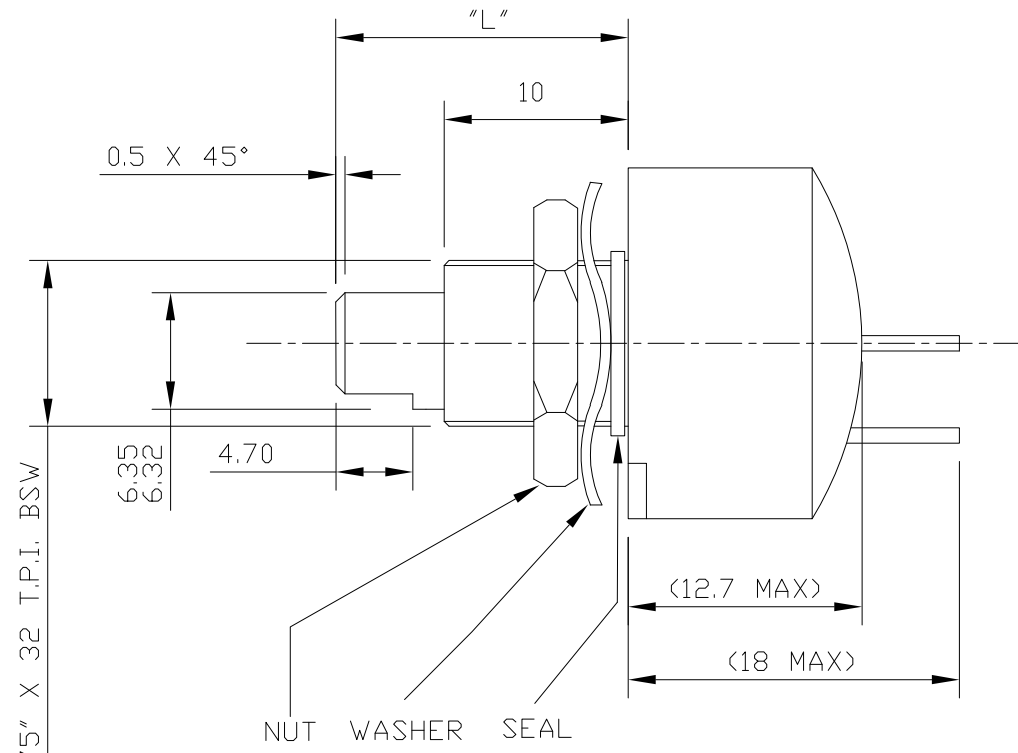


THIS DRAWING IS UNPUBLISHED. RELEASED FOR PUBLICATION
 © COPYRIGHT - By - ALL RIGHTS RESERVED.

LOC	DIST	REVISIONS					
E	B	P	LTR	DESCRIPTION	DATE	DWN	APVD
		K		INITIAL RELEASE	16AUG2014	KR	TN



END VIEW ON SHAFT
 (NUT, WASHER & SEAL
 DELETED FOR CLARITY)
 WITH WIPER IN MID POSITION



TECHNICAL SPECIFICATION

- ISOLATION VOLTAGE : 450V DC
- ELECTRICAL ROTATION : 210°
- TERMINAL RESISTANCE : < 3 OHMS
- INSULATION RESISTANCE : >1 G OHMS
- VOLTAGE PROOF : 630V AC PEAK
- MECHANICAL ROTATION : 270°
- STARTING TORQUE : < 40 mNm
- END STOP TORQUE : 800 mNm
- TCR (20°C TO 70°C) : 0.75%
- CLAMATIC CATEGORY : 40/070/56
- SHAFT : SEE DATA SHEET FOR OPTIONS.
FLATTED SHAFT SHOWN

FOR MORE INFORMATION PLEASE SEE DATA SHEET
 FOR TYPE M SERIES POTENTIOMETERS

RoHS Compliant

THIS DRAWING IS A CONTROLLED DOCUMENT.		DWN RAGHAVENDRA K 16AUG2014	TE Connectivity		
DIMENSIONS: mm		CHK ALLAN P 16AUG2014			
TOLERANCES UNLESS OTHERWISE SPECIFIED:		APVD TONY N 16AUG2014	NAME GENERAL ASSEMBLY MCU POTENTIOMETER		
0 PLC ± 1 1 PLC ± 0.4 2 PLC ± 0.13 3 PLC ± - 4 PLC ± - ANGLES ± 0.5		PRODUCT SPEC -	SIZE A3 CAGE CODE 00779 DRAWING NO C-1625931 RESTRICTED TO -		
MATERIAL -		APPLICATION SPEC -	SCALE NTS SHEET 1 OF 1 REV K		
FINISH -		WEIGHT -	CUSTOMER DRAWING		

X-ON Electronics

Largest Supplier of Electrical and Electronic Components

Click to view similar products for [Potentiometers](#) category:

Click to view products by [TE Connectivity](#) manufacturer:

Other Similar products are found below :

[590SX1N32F103SS](#) [006-0-1](#) [591SXJ48S252SC](#) [D31409](#) [70B1G048K502X-A](#) [70B1M032S502W](#) [70B8N056F502W](#) [70J8N048S104U](#)
[70L1N048S103W](#) [81R1A-R22-A20L](#) [85A2A-B28-B27/R51](#) [GS1G044P103UA](#) [GS1T032S103UA](#) [A47-200K](#) [A4720K](#) [RA20LASD251A](#)
[132-0-0-502](#) [132-2-0-202](#) [132-0-0-102](#) [132-0-0-103](#) [132B00301](#) [RK14K1220-F25-C0-A103](#) [RK14K1220F25C0C104](#) [RK14K1220-F25-C1-](#)
[B103](#) [14910AABHSX10102KA](#) [14910F0GJSX10105KA](#) [14910FAGJSX10102KA](#) [14910FBGLFY00103KA](#) [14910AABHSX10103KA](#)
[14910AABHSX10502KA](#) [14910FAGJSX10104KA](#) [ASM6674E](#) [152-01031](#) [P140KH1-F15AR50K](#) [P170SPD-FC15BR10K](#) [P231-EC20BR5K](#)
[P270-109A](#) [J97589](#) [P9A2R000FISX1103MA](#) [248BBHS0XB25104MA](#) [248BBHS0XB25503MA](#) [RV170F-10-15R1-B500K-0021](#) [RV24AF-](#)
[10-15R1-B500-3](#) [A43-750](#) [A47-15K](#) [A4750K](#) [SPPG048S103U](#) [SPPG056P103U](#) [SWE-10](#) [GA2G040F103BA](#)