

THIS DRAWING IS UNPUBLISHED.

RELEASED FOR PUBLICATION , NOV 07

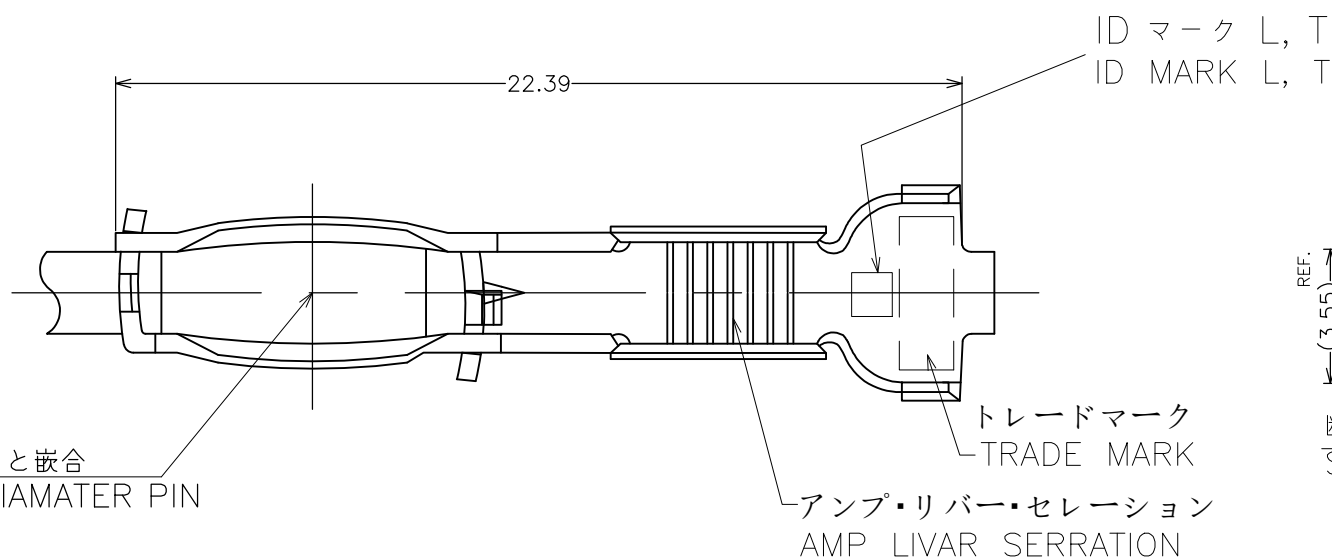
© COPYRIGHT 2011 Tyco Electronics Japan G.K.

ALL RIGHTS RESERVED.

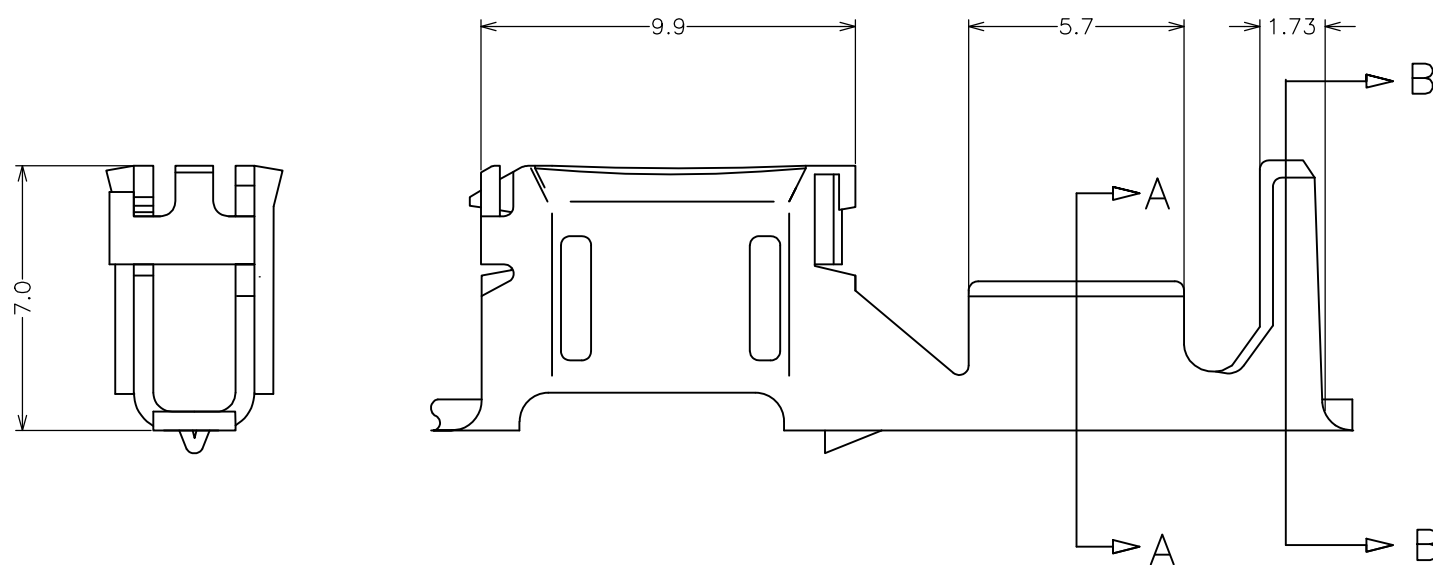
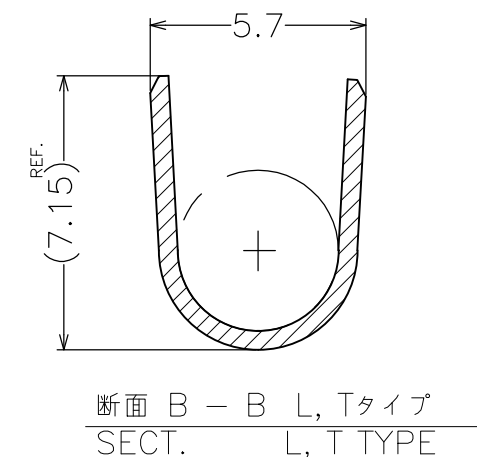
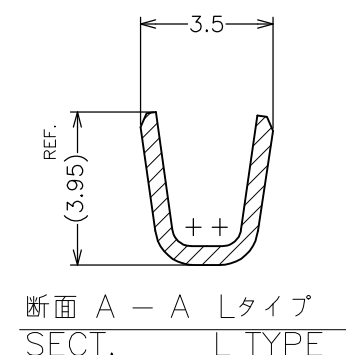
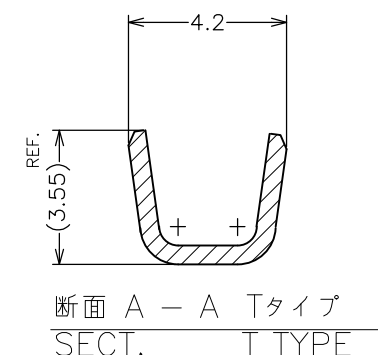
REVISIONS

変更

P	LTR	DESCRIPTION	ECN	DATE	DWN	APVD
	C1	ECR-19-015554		07OCT2019	SE	PKS



3.2φカラスピンと嵌合
MATING WITH 3.2φ DIAMETER PIN



注記;

- 1.適用ハウジング : X-316293-X
- 2.一般公差 ; 10 ≧ : ±0.2
> 10 : ±0.25


NOTES;

- 1.APPLICABLE HSG : X-316293-X
- 2.TOLERANCES ; 10 ≧ : ±0.2
> 10 : ±0.25

△ THIS PRODUCT IS SPLICE FREE VERSION

△ 3

T	0.76~2.86 mm ² (AWG#18~#13)	316292-5
L	0.76~2.6 mm ² (AWG#18~#13)	316292-2
L	0.76~2.6 mm ² (AWG#18~#13)	316292-1
ID マーク ID MARK	抱合電線断面積 WIRE RANGE	型番 P/N
WIRE RANGE 抱合電線断面積		INSULATION DIA 被覆外径
表参照 SEE TABLE		1.6~4.0

THIS DRAWING IS A CONTROLLED DOCUMENT.		DWN K.SAKAI	07NOV2011	 TE Connectivity											
DIMENSIONS: 単位: 耗 mm		CHK M.HARASAWA	07NOV2011												
TOLERANCES UNLESS OTHERWISE SPECIFIED: 一般公差		APVD N.YAMASAKI	07NOV2011												
<table border="1"> <tr><td>0 PLC</td><td>±</td></tr> <tr><td>1 PLC</td><td>±</td></tr> <tr><td>2 PLC</td><td>±</td></tr> <tr><td>3 PLC</td><td>±</td></tr> <tr><td>4 PLC</td><td>±</td></tr> <tr><td>ANGLES</td><td>±3</td></tr> </table>		0 PLC	±			1 PLC	±	2 PLC	±	3 PLC	±	4 PLC	±	ANGLES	±3
0 PLC	±														
1 PLC	±														
2 PLC	±														
3 PLC	±														
4 PLC	±														
ANGLES	±3														
MATERIAL 材料 磷青銅 PHOS BRO		FINISH 仕上 錫めっき TIN PLATED	PRODUCT SPEC 製品規格 108-5494	3.2 CLUSTER REC. L, T TYPE											
		APPLICATION SPEC 取付適用規格 114-5215	WEIGHT 0	SIZE A3	CAGE CODE 00779										
		CUSTOMER DRAWING	DRAWING NO 番号 G-316292	RESTRICTED TO -											
			SCALE 尺度 5:1	SHEET 1 OF 1	REV C1										

X-ON Electronics

Largest Supplier of Electrical and Electronic Components

Click to view similar products for [Terminals](#) category:

Click to view products by [TE Connectivity](#) manufacturer:

Other Similar products are found below :

[00-054007-01074-6](#) [00-054007-70206-1](#) [00-054007-70210-8](#) [00-054007-70217-7](#) [00-054007-70226-9](#) [00-054007-70228-3](#) [00-054007-70248-1](#) [00-054007-70256-6](#) [00-054007-70301-3](#) [00-054007-70316-7](#) [00-054007-49560-4](#) [00-054007-70209-2](#) [00-054007-70225-2](#) [00-054007-70227-6](#) [00-054007-70231-3](#) [00-054007-70241-2](#) [00-054007-70242-9](#) [00-054007-70244-3](#) [00-054007-70246-7](#) [00-054007-70263-4](#) [00-054007-70288-7](#) [00-054007-70290-0](#) [00-054007-70300-6](#) [00-054007-70304-4](#) [01-2065-1-0216](#) [01-2900-1-04412](#) [00581P0075](#) [600TS-10](#) [60205-1](#) [604200-1](#) [605601-1](#) [60598-1-CUT-TAPE](#) [61314-6-C](#) [61810-3](#) [61-S](#) [61-SN](#) [626-0194](#) [62-NBM-A](#) [62-SN](#) [62-SP](#) [63-S](#) [640179-1](#) [M55155/059I03](#) [M55155/079C01](#) [M55155/099H02](#) [M55155/109H01](#) [M55155/109H02](#) [M55155/12XH05](#) [M55155/16XH02](#) [M55155/29-5S](#)