

THIS DRAWING IS UNPUBLISHED.

RELEASED FOR PUBLICATION

ALL RIGHTS RESERVED.

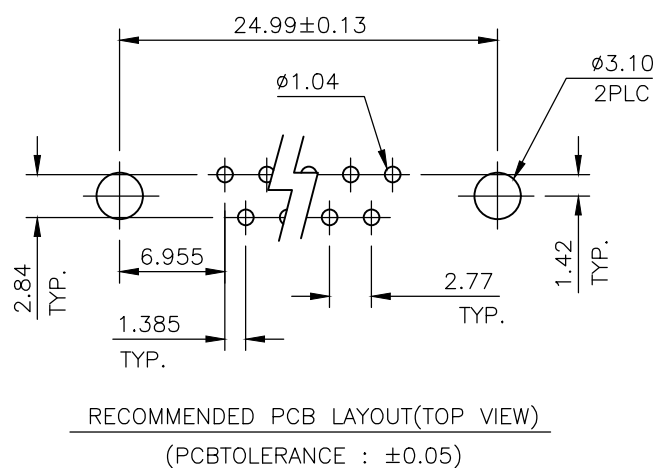
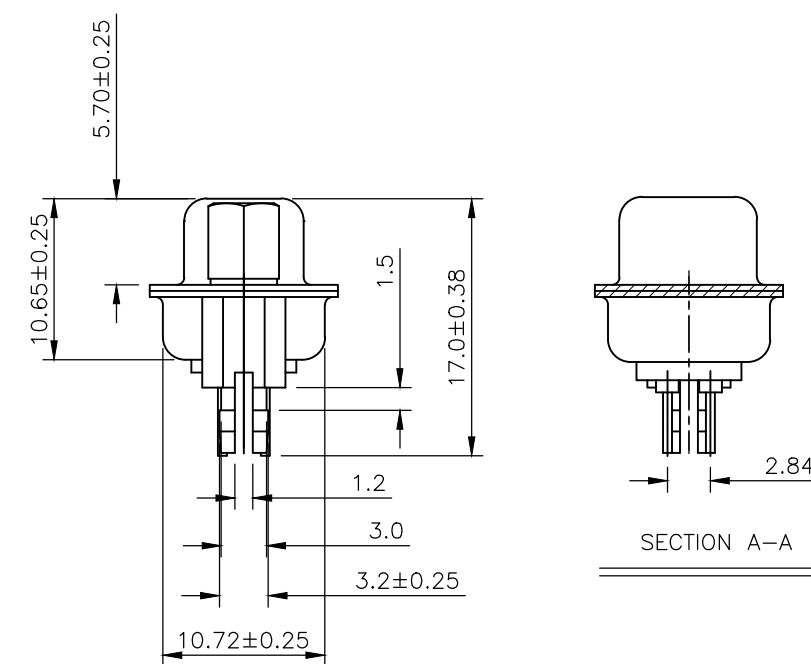
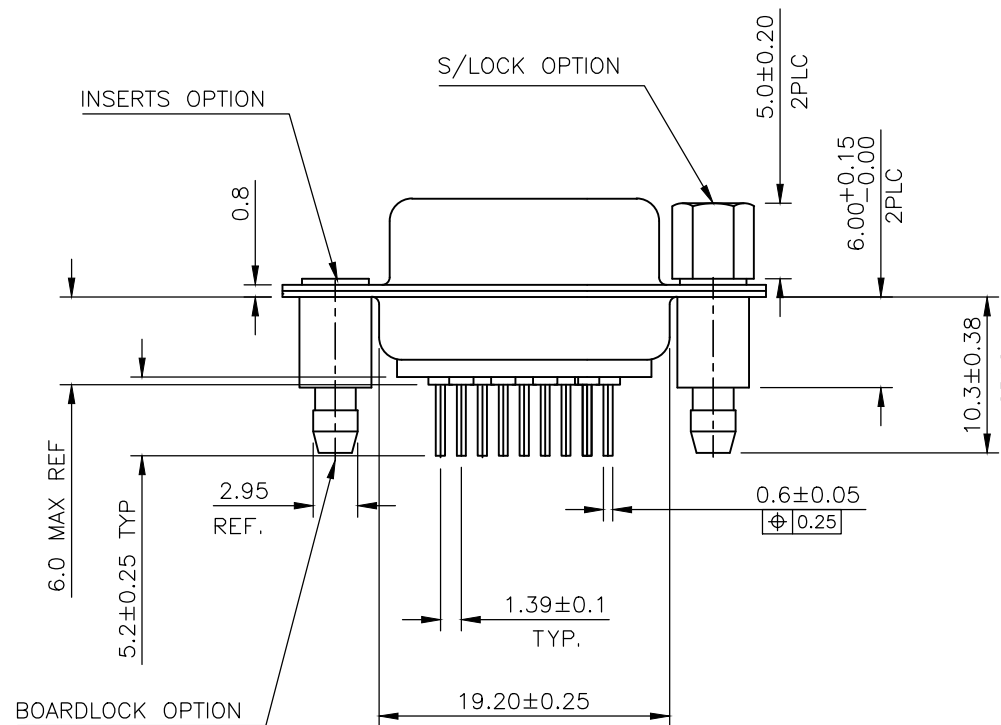
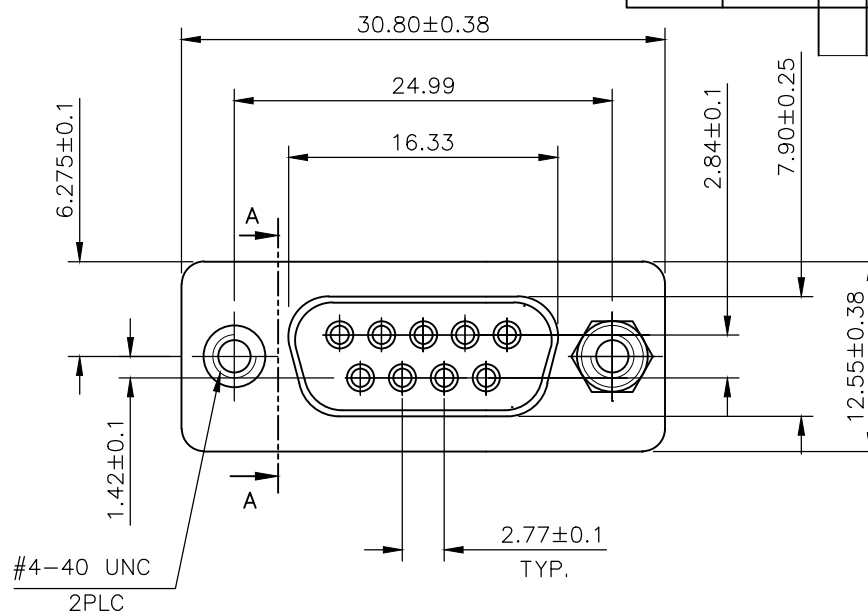
LOC GP DIST 00

REVISIONS

P	LTR	DESCRIPTION	DATE	DWN	APVD
	K	REVISED PER ECO-17-012925	21FEB2018	AP	DG

- 1 MATERIAL
HOUSING : THERMOPLASTIC, UL94V-0, BLACK
CONTACTS : PHOSPHOR BRONZE
SHELL : STEEL
SCREW : BRASS.
BOARD LOCK : BRASS.
SCREW OF TORQUE : 5 Kg-cm MAX.
- 2 FINISH
CONTACT : 15µ" MIN.GOLD PLATING ON CONTACT AREA
100µ" MIN. TIN PLATING ON SOLDERTAILS
50µ" MIN. NICKEL UNDERPLATED OVERALL
SHELL : 100µ" MIN NICKEL PLATING
SCREW : 50µ" MIN. NICKEL PLATING.
BOARD LOCK : 50µ" MIN. NICKEL PLATING.
- 3 CHARACTERISTICS
CURRENT RATING : 3A
INSULATION RESISTANCE : 1000MOHMS MIN, 500VDC FOR 2MINS.
TEMPERATURE RATING : -55DEGC ~ +105DEGC
VOLTAGE RATING : 250VDC

4 OBSOLETE PARTS: OBSOLETE CIS STREAMLINING PER D.RENAUD/D.SINISI.



4 OBSOLETE	9W D SKT WITH B/L & M3 S/LOCK 15µ" GOLD	4-1634222-2
SUPERSEDED BY 2301838-2		
4 OBSOLETE	9W D SKT WITH B/L & 4-40 S/LOCK 15µ" GOLD	3-1634222-2
SUPERSEDED BY 2301838-1		
4 OBSOLETE	9W D SKT WITH B/L & M3 INSERTS 15µ" GOLD	2-1634222-2
SUPERSEDED BY 2301838-1		
	DESCRIPTION	PART NO.

THIS DRAWING IS A CONTROLLED DOCUMENT.		DWN J.SANDWELL 10APR03	TE Connectivity	
DIMENSIONS: mm		CHK R.DYER 10APR03		
TOLERANCES UNLESS OTHERWISE SPECIFIED:		APVD F.WHEELER-KING 10APR03	NAME	
0 PLC ± -		PRODUCT SPEC	D-SUB HD20, VERTICAL, 9P SKT CONNECTOR	
1 PLC ± 0.25		APPLICATION SPEC	-	
2 PLC ± 0.15		WEIGHT	SIZE	CAGE CODE
3 PLC ± -			A3	00779
4 PLC ± -			DRAWING NO	RESTRICTED TO
ANGLES ± -			C-1634222	-
FINISH		CUSTOMER DRAWING		
		SCALE	SHEET	REV
		2:1	1 OF 2	K

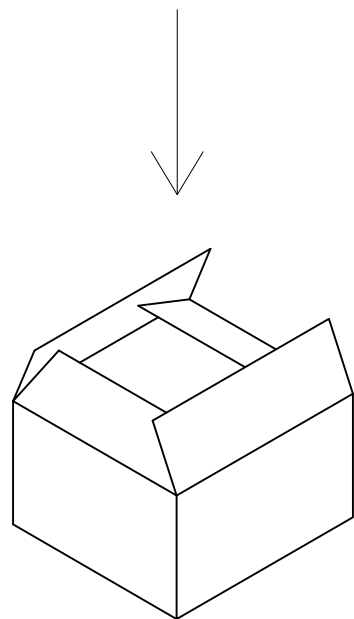
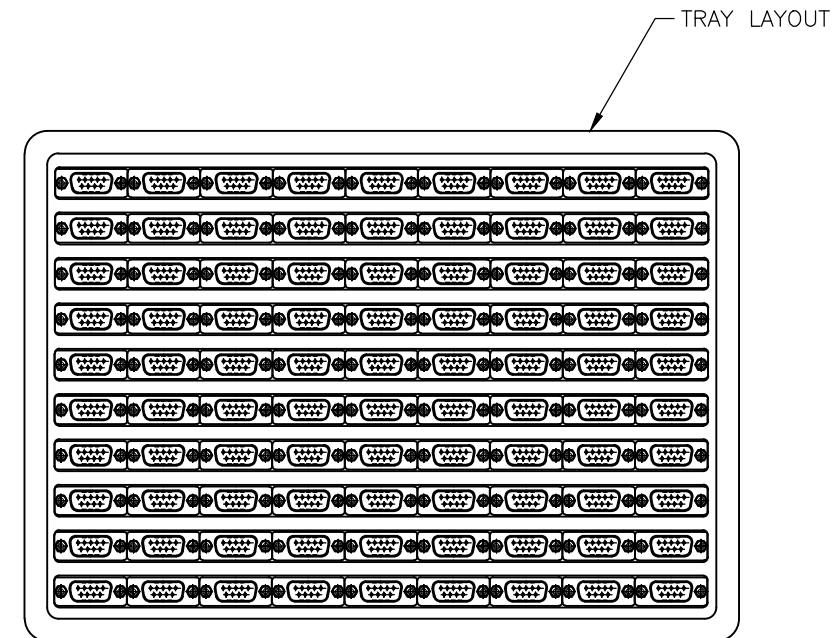
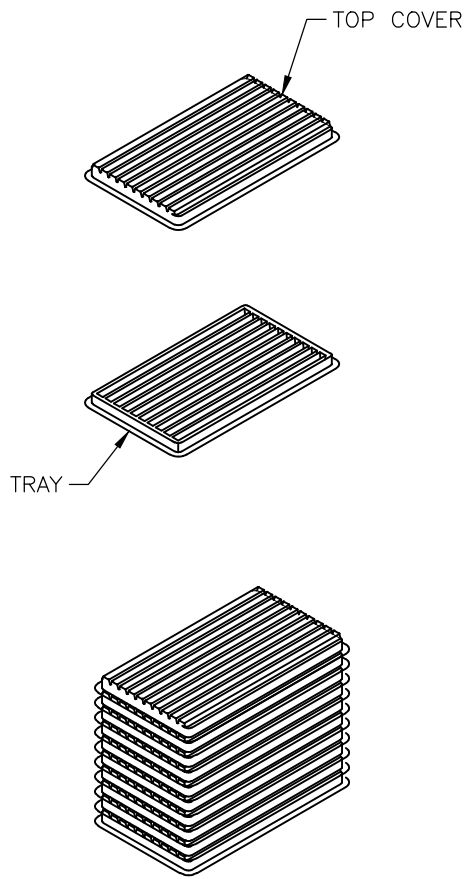
THIS DRAWING IS UNPUBLISHED.

RELEASED FOR PUBLICATION

ALL RIGHTS RESERVED.

© COPYRIGHT - By -

LOC	DIST	REVISIONS					
GP	00	P	LTR	DESCRIPTION	DATE	DWN	APVD
		-		SEE SHEET 1	-	-	-



MATERIAL

- 1 TRAY: PVC
- 2 SHIPPING CARTON: CORRUGATED FIBERBOARD

DIMENSIONS

- 1 TRAY: L=310, W=230, H=21
- 2 SHIPPING CARTON: L=330, W=245, H=160

QUANTITY

- 90 PCS/TRAY
- 10 TRAY/SHIPPING CARTON

THIS DRAWING IS A CONTROLLED DOCUMENT.		DWN	J.SANDWELL	10APR03	STE TE Connectivity		
		CHK	R.DYER	10APR03			
DIMENSIONS: mm		TOLERANCES UNLESS OTHERWISE SPECIFIED:			NAME		
		0 PLC	± -	D-SUB HD20, VERTICAL, 9P SKT CONNECTOR			
		1 PLC	± 0.25				
		2 PLC	± 0.15				
		3 PLC	± -				
MATERIAL		FINISH			APVD	F.WHEELER-KING	10APR03
					PRODUCT SPEC	-	
					APPLICATION SPEC	-	
					WEIGHT	-	
					SIZE	A3	00779
					CAGE CODE	C-1634222	
					DRAWING NO	-	
					RESTRICTED TO	-	
					SCALE	2:1	SHEET 2 OF 2
					REV	K	

X-ON Electronics

Largest Supplier of Electrical and Electronic Components

Click to view similar products for D-Sub Standard Connectors category:

Click to view products by TE Connectivity manufacturer:

Other Similar products are found below :

[56F711-015](#) [012-9507-004](#) [LV242999-142T12](#) [015-0341-000](#) [015-0349-000](#) [015-0372-005](#) [015-0372-008](#) [015-8755-001](#) [020419-0104](#) [012-0467-000](#) [012-0515-000](#) [012-9507-034](#) [012-9507-114](#) [020745-0008](#) [609-25P](#) [M24308/2-23Z](#) [CT2-14S-2PCA34](#) [CT2-18-11PCAU](#) [CT2-36-15SC](#) [CT6-14S-2SC](#) [CT6E14SA7SC](#) [CT6E22-14PC](#) [CT6E22-14PS](#) [CT6E22-22PS](#) [M83513/01-FC](#) [M85049/48-3-2F](#) [6STD09PCM99B70X](#) [6STD09SCM99B30X](#) [6STD09SCT99S40X](#) [6STD15PCT99S40X](#) [6STD15SCM99B30X](#) [6STD15SCT99S40X](#) [6STF09PCM05B70X](#) [7-135760-9](#) [MC11E-10-6SN](#) [747552-3](#) [MD1-21PS](#) [MDM-15SCBRM7-F222](#) [MDM96517-699](#) [MDM96521-744](#) [MDVB1-21SL1](#) [MIK0-1-7SH003](#) [MIKQ6-7SH076](#) [MIKQ7-7PH077](#) [MIKQ7-7PH11](#) [MIKQ7-7PH32](#) [MIKQ9-7PH003](#) [MJSV-28SL61](#) [MKJ4A1F14-55S](#) [8-135760-3](#)