

THIS DRAWING IS UNPUBLISHED.

RELEASED FOR PUBLICATION

LOC

DIST

REVISIONS

© COPYRIGHT - By -

ALL RIGHTS RESERVED.

E

B

P

LTR

DESCRIPTION

DATE

DWN

APVD

D

D

REVISED PER ECO-17-012925

20FEB2018

AP

DG

1 FOR LOCAL DATA REFER TO YOUR LOCAL TE CONNECTIVITY SALES OFFICE.

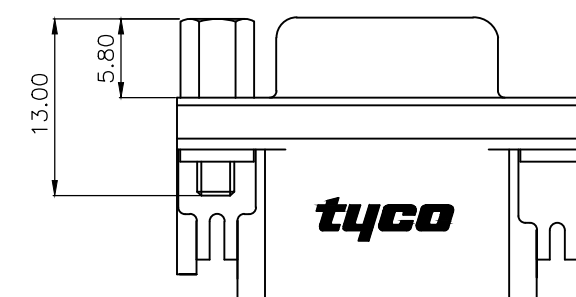
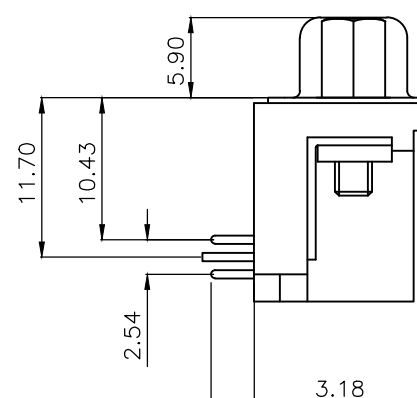
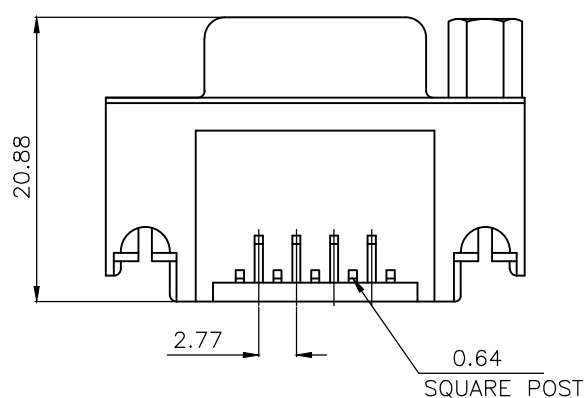
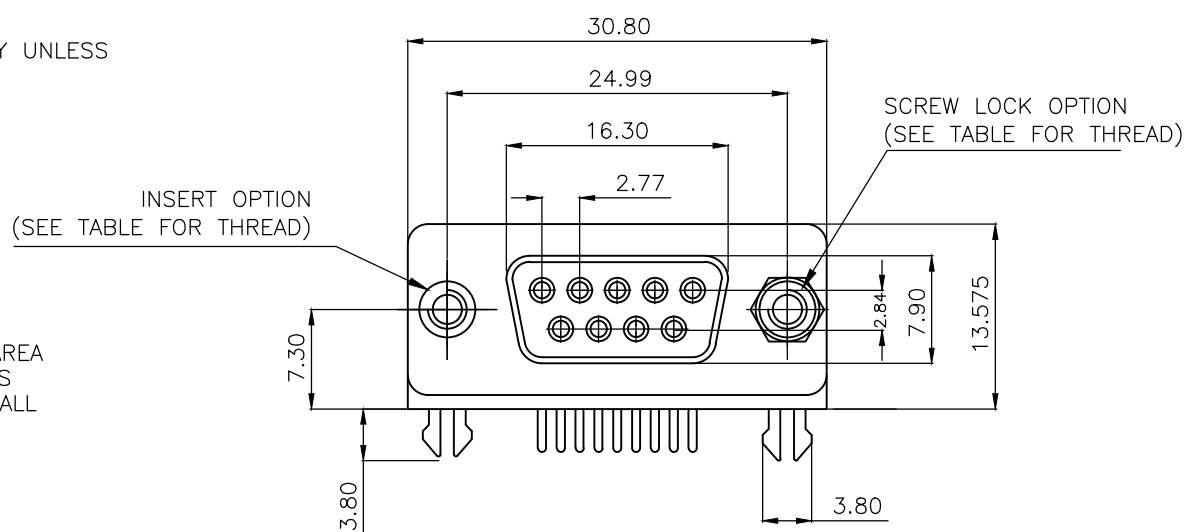
2 ALL DIMENSIONS ARE NOMINAL FOR REFERENCE ONLY UNLESS OTHERWISE STATED.

3 MATERIAL : HOUSING : THERMOPLASTIC, UL94V-0 BLACK COLOR CONTACTS : PHOSPER BRONZE SHELL : STEEL BOARDLOCK : BRASS SCREW : BRASS

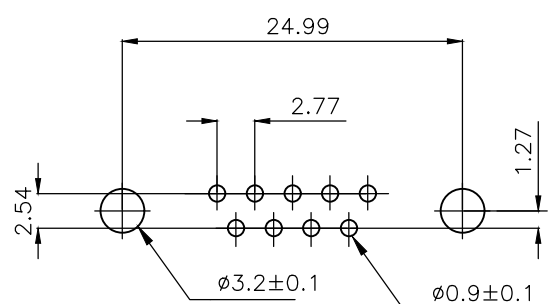
4 FINISH : CONTACT : 0.38µm MIN.GOLD PLATED ON CONTACT AREA 2.54µm MIN. TIN PLATED ON SOLDER TAILS 1.27µm MIN. NICKEL UNDERPLATED OVERALL SHELL : 2.54 µm MIN NICKEL PLATED. BOARD LOCK : 1.52µm MIN. TIN PLATED SCREW : 1.27µm MIN. NICKEL PLATED.

5 CHARACTERISTICS CURRENT RATING : 5A INSULATION RESISTANCE : 1000MOHMS MIN, 500VDC FOR 2MINS. TEMPERATURE RATING : -55DEGC ~ +105DEGC VOLTAGE RATING : 250VDC

6 OBSOLETE PARTS: OBSOLETE CIS STREAMLINING PER D.RENAUD/D.SINISI.



P.C.B. LAYOUT



6 OBSOLETE	9 WAY D SOCKET WITH BOARD LOCKS & 2 x M3 SCREW LOCKS, 0.38µm GOLD, RIGHT ANGLE	4-1634584-2
SUPERSEDED BY 2301844-2	9 WAY D SOCKET WITH BOARD LOCKS & 2 x 4-40 SCREW LOCKS, 0.38µm GOLD, RIGHT ANGLE	3-1634584-2
6 OBSOLETE	9 WAY D SOCKET WITH BOARD LOCKS & 2 x M3 INSERTS, 0.38µm GOLD, RIGHT ANGLE	2-1634584-2
SUPERSEDED BY 2301844-1	9 WAY D SOCKET WITH BOARD LOCKS & 2 x 4-40 INSERTS, 0.38µm GOLD, RIGHT ANGLE	1-1634584-2
	DESCRIPTION	PART NO.

THIS DRAWING IS A CONTROLLED DOCUMENT.		DWN	J.SANDWELL	15SEP2003	STE TE Connectivity		
DIMENSIONS: mm		CHK	S.EBBUTT	15SEP2003			
TOLERANCES UNLESS OTHERWISE SPECIFIED:		APVD	F.WHEELER-KING	15SEP2003	NAME		
0 PLC ± -		PRODUCT SPEC			9 WAY D-SUB SOCKET WITH BOARD LOCK		
1 PLC ± -		APPLICATION SPEC			-		
2 PLC ± -		SIZE	A3	CAGE CODE	00779	DRAWING NO	C-1634584
3 PLC ± -		RESTRICTED TO			-		
4 PLC ± -		WEIGHT			-		
ANGLES ± -		CUSTOMER DRAWING			SCALE	NTS	SHEET
FINISH -		1 OF 2			REV		
MATERIAL SEE NOTE		D					

THIS DRAWING IS UNPUBLISHED.

RELEASED FOR PUBLICATION

© COPYRIGHT - By -

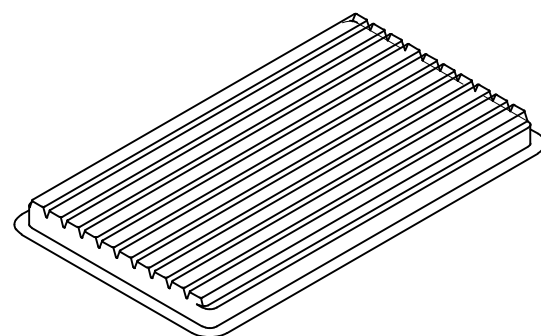
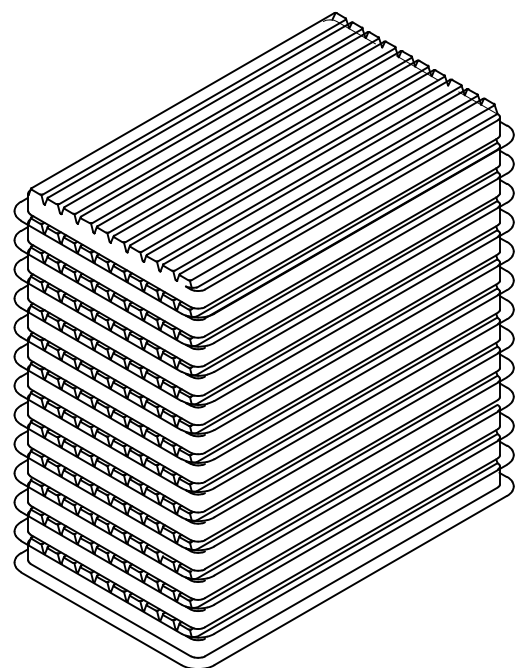
ALL RIGHTS RESERVED.

LOC
E

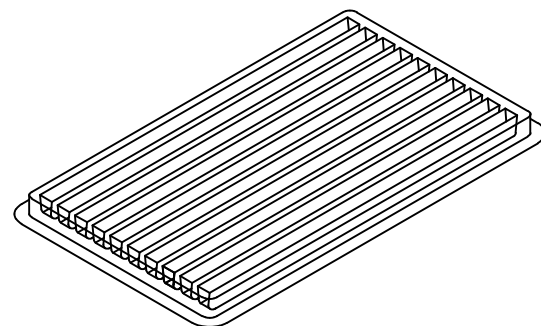
DIST
B

REVISIONS

P	LTR	DESCRIPTION	DATE	DWN	APVD
-	-	SEE SHEET 1	-	-	-



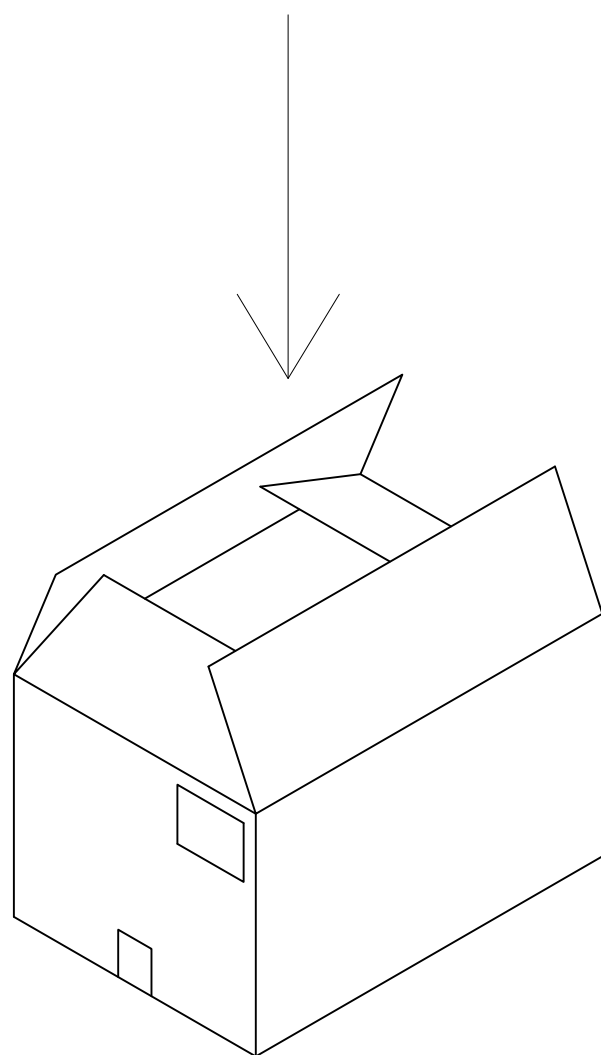
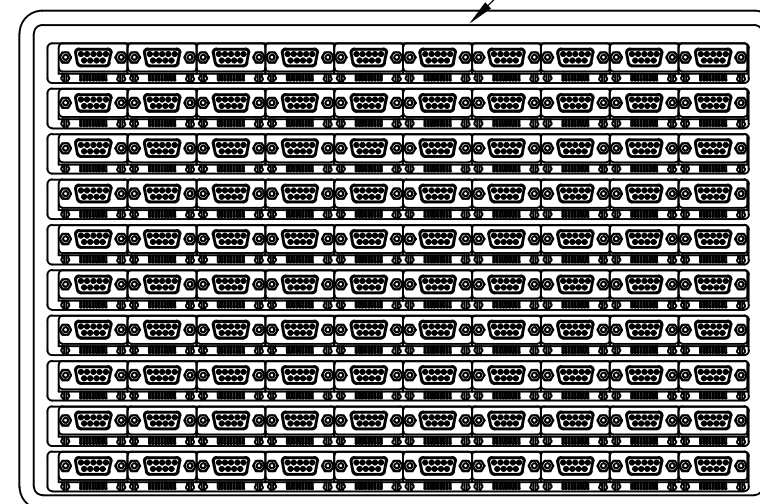
COVER



TRAY

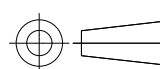
- 1 DIMENSION:
TRAY:L=310,W=220,H=23
SHIPPING BOX:L=335,W=230,H=320
- 2 QUANTITY:
90 PCS/TRAY
13 TRAY/SHIPPING BOX

Tray Layout



THIS DRAWING IS A CONTROLLED DOCUMENT.

DIMENSIONS:
mm



TOLERANCES UNLESS OTHERWISE SPECIFIED:

0 PLC	± -
1 PLC	± -
2 PLC	± -
3 PLC	± -
4 PLC	± -
ANGLES	± -

MATERIAL

SEE NOTE

FINISH

-

DWN 15SEP2003

J.SANDWELL

CHK 15SEP2003

S.EBBUTT

APVD 15SEP2003

F.WHEELER-KING

PRODUCT SPEC

APPLICATION SPEC

WEIGHT

-

NAME

9 WAY D-SUB SOCKET WITH BOARD LOCK

SIZE

CAGE CODE

DRAWING NO

A3

00779

C-1634584

RESTRICTED TO

-

CUSTOMER DRAWING

SCALE NTS

SHEET 2 OF 2

REV D



X-ON Electronics

Largest Supplier of Electrical and Electronic Components

Click to view similar products for D-Sub Standard Connectors category:

Click to view products by TE Connectivity manufacturer:

Other Similar products are found below :

[56F711-015](#) [012-9507-004](#) [LV242999-142T12](#) [015-0341-000](#) [015-0349-000](#) [015-0372-005](#) [015-0372-008](#) [015-8755-001](#) [020419-0104](#) [012-0467-000](#) [012-0515-000](#) [012-9507-034](#) [012-9507-114](#) [020745-0008](#) [609-25P](#) [M24308/2-23Z](#) [CT2-14S-2PCA34](#) [CT2-18-11PCAU](#) [CT2-36-15SC](#) [CT6-14S-2SC](#) [CT6E14SA7SC](#) [CT6E22-14PC](#) [CT6E22-14PS](#) [CT6E22-22PS](#) [M83513/01-FC](#) [M85049/48-3-2F](#) [6STD09PCM99B70X](#) [6STD09SCM99B30X](#) [6STD09SCT99S40X](#) [6STD15PCT99S40X](#) [6STD15SCM99B30X](#) [6STD15SCT99S40X](#) [6STF09PCM05B70X](#) [7-135760-9](#) [MC11E-10-6SN](#) [747552-3](#) [MD1-21PS](#) [MDM-15SCBRM7-F222](#) [MDM96517-699](#) [MDM96521-744](#) [MDVB1-21SL1](#) [MIK0-1-7SH003](#) [MIKQ6-7SH076](#) [MIKQ7-7PH077](#) [MIKQ7-7PH11](#) [MIKQ7-7PH32](#) [MIKQ9-7PH003](#) [MJSV-28SL61](#) [MKJ4A1F14-55S](#) [8-135760-3](#)