

THIS DRAWING IS UNPUBLISHED.

RELEASED FOR PUBLICATION

---

LOC

DIST

REVISIONS

© COPYRIGHT - By -

ALL RIGHTS RESERVED.

GP

00

P

LTR

DESCRIPTION

DATE

DWN

APVD

D

REVISED PER ECO-17-012925

20FEB2018

AP

DG

1 FOR LOCAL DATA REFER TO YOUR LOCAL TE CONNECTIVITY SALES OFFICE.

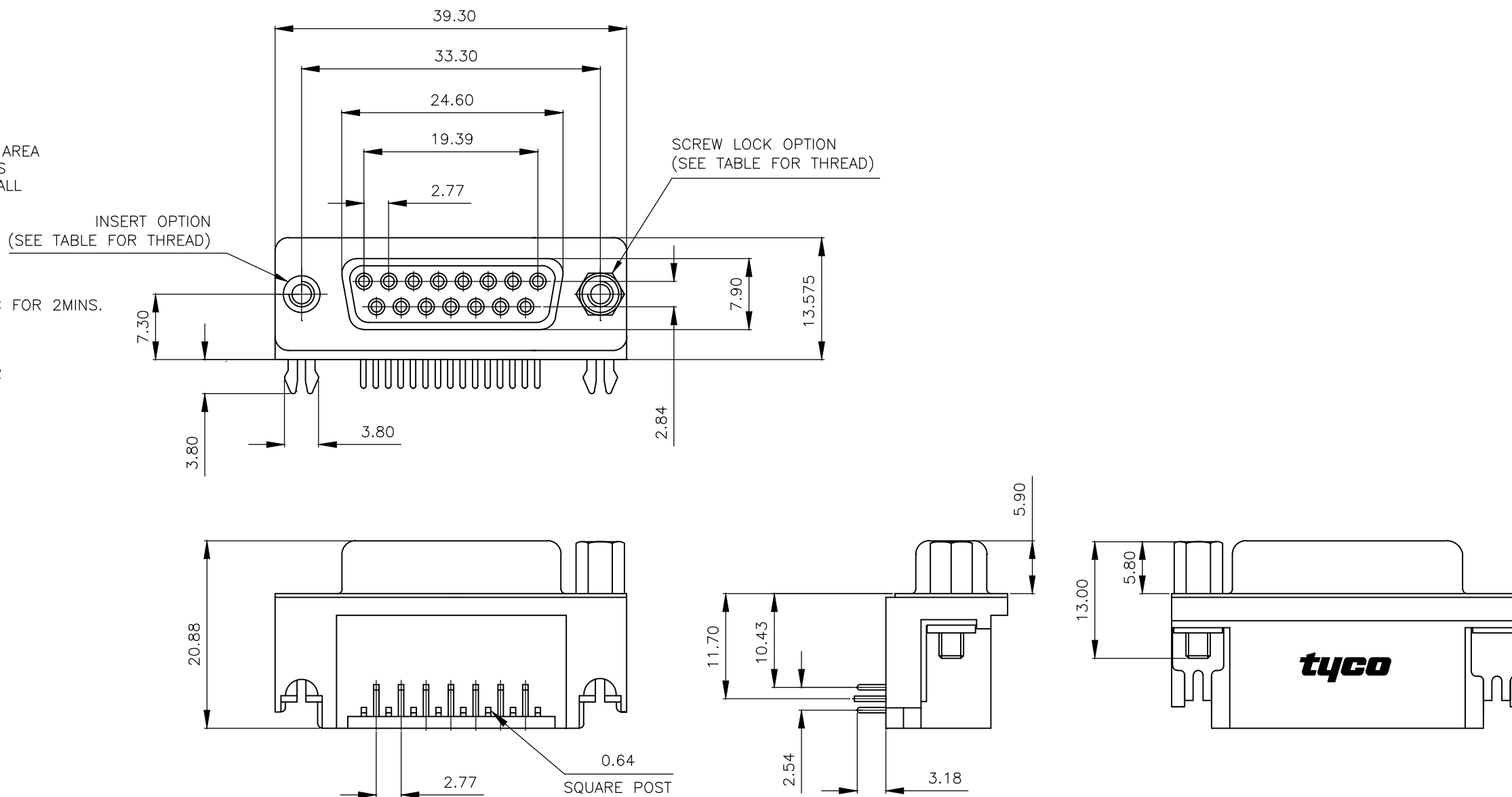
2 ALL DIMENSIONS ARE NOMINAL FOR REFERENCE ONLY UNLESS OTHERWISE STATED.

3 MATERIAL :  
HOUSING : THERMOPLASTIC, UL94V-0  
BLACK COLOR  
CONTACTS : PHOSPHOR BRONZE  
SHELL : STEEL  
BOARDLOCK : BRASS  
SCREW : BRASS

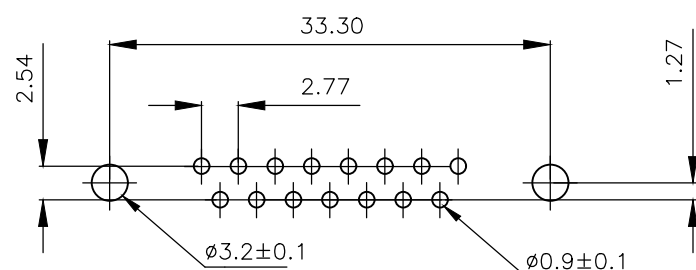
4 FINISH :  
CONTACT : 0.38µm MIN.GOLD PLATED ON CONTACT AREA  
2.54µm MIN. TIN PLATED ON SOLDERTAILS  
1.27µm MIN. NICKEL UNDERPLATED OVERALL  
SHELL : 2.54 µm MIN NICKEL PLATED.  
BOARD LOCK : 1.52µm MIN. TIN PLATED  
SCREW : 1.27µm MIN. NICKEL PLATED.

5 CHARACTERISTICS  
CURRENT RATING : 5A  
INSULATION RESISTANCE : 1000MOHMS MIN, 500VDC FOR 2MINS.  
TEMPERATURE RATING : -55DEGC ~ +105DEGC  
VOLTAGE RATING : 250VDC

6 OBSOLETE PARTS: OBSOLETE CIS STREAMLINING PER D.RENAUD/D.SINISI.



P.C.B. LAYOUT



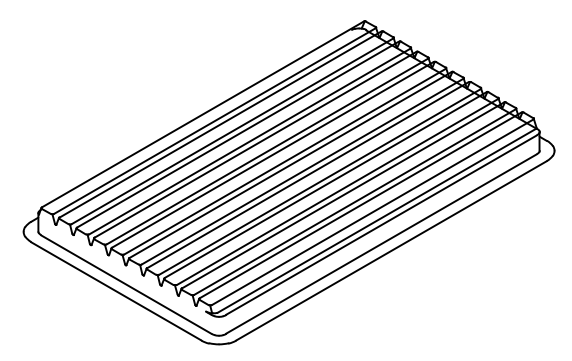
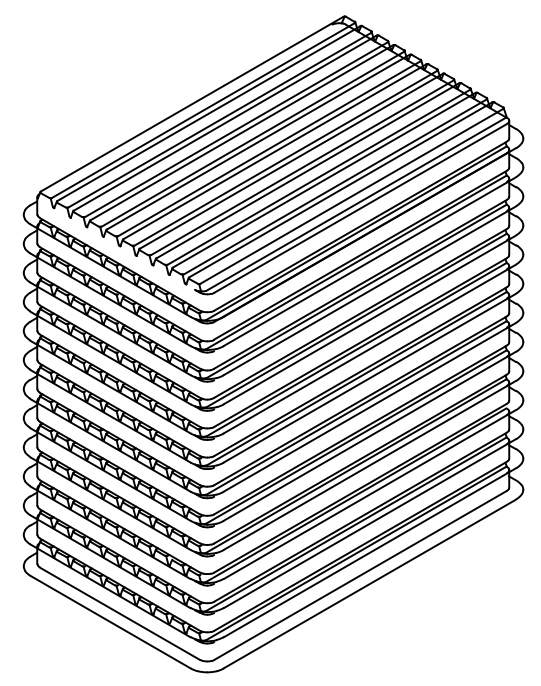
OBSOLETE	15 WAY D SOCKET WITH BOARD LOCKS & 2 x M3 SCREW LOCKS, 0.38µm GOLD, RIGHT ANGLE	4-1634585-2
SUPERSEDED BY 2301845-2	15 WAY D SOCKET WITH BOARD LOCKS & 2 x 4-40 SCREW LOCKS, 0.38µm GOLD, RIGHT ANGLE	3-1634585-2
6 OBSOLETE	15 WAY D SOCKET WITH BOARD LOCKS & 2 x M3 INSERTS, 0.38µm GOLD, RIGHT ANGLE	2-1634585-2
SUPERSEDED BY 2301845-1	15 WAY D SOCKET WITH BOARD LOCKS & 2 x 4-40 INSERTS, 0.38µm GOLD, RIGHT ANGLE	1-1634585-2
	DESCRIPTION	PART No.

THIS DRAWING IS A CONTROLLED DOCUMENT.		DWN	J.SANDWELL	15SEP2003	<b>TE Connectivity</b>		
DIMENSIONS: mm		CHK	S.EBBUTT	15SEP2003			
TOLERANCES UNLESS OTHERWISE SPECIFIED:		APVD	F.WHEELER-KING	15SEP2003	15 WAY D-SUB SOCKET WITH BOARD LOCK		
0 PLC ± -		PRODUCT SPEC			SIZE		
1 PLC ± -		APPLICATION SPEC			CAGE CODE		
2 PLC ± -		WEIGHT			DRAWING NO		
3 PLC ± -		CUSTOMER DRAWING			RESTRICTED TO		
4 PLC ± -		SCALE			SHEET		
ANGLES ± -		NTS			1 OF 2		
FINISH		REV			E		

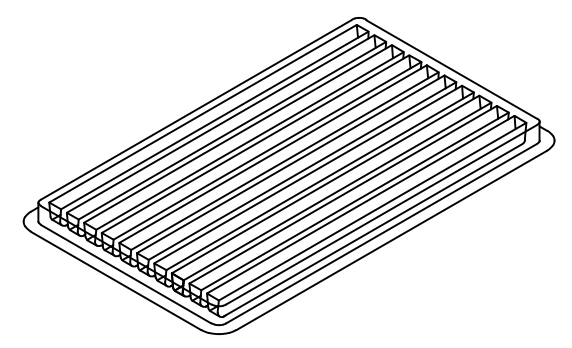
THIS DRAWING IS UNPUBLISHED. RELEASED FOR PUBLICATION  
 © COPYRIGHT - By - ALL RIGHTS RESERVED.

LOC	DIST	REVISIONS			
P	LTR	DESCRIPTION	DATE	DWN	APVD
GP	00	-	SEE SHEET 1	-	-

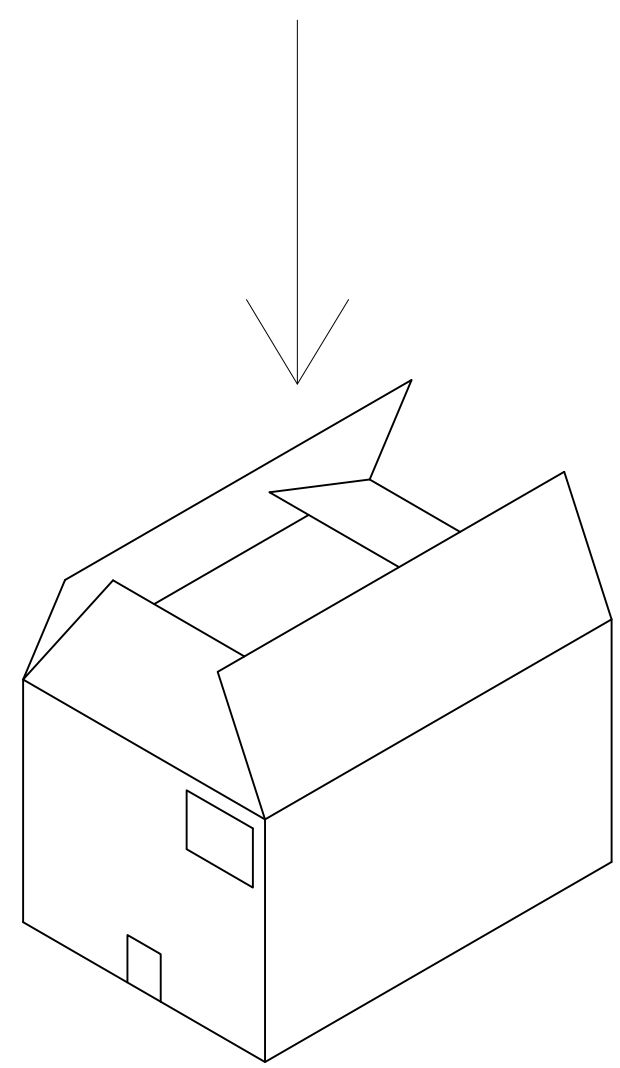
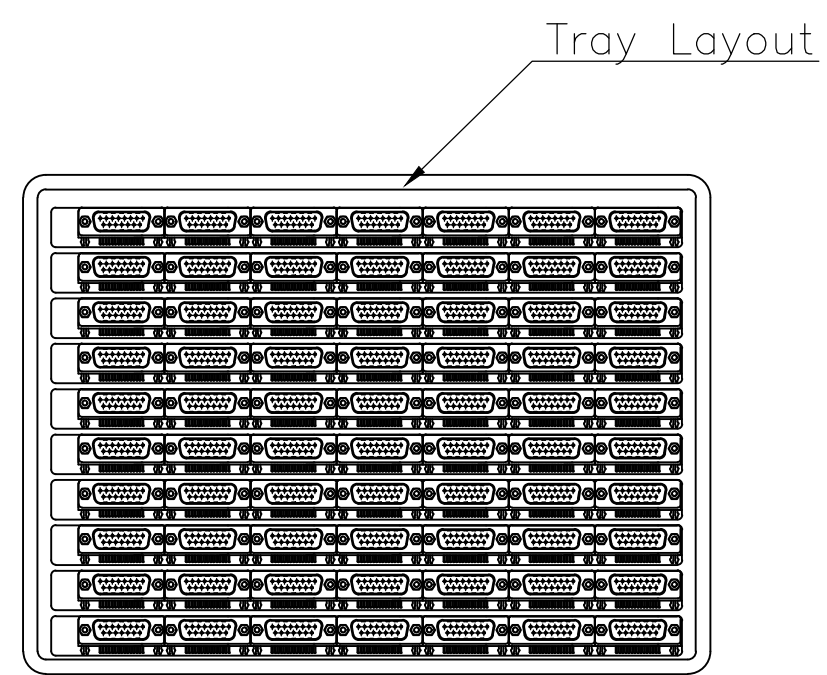
- DIMENSION:  
 TRAY:L=310,W=220,H=23  
 SHIPPING BOX:L=335,W=230,H=320
- QUANTITY:  
 70 PCS/TRAY  
 13 TRAY/SHIPPING BOX


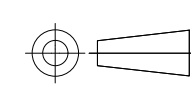


COVER



TRAY



THIS DRAWING IS A CONTROLLED DOCUMENT.		DWN J.SANDWELL 15SEP2003	 TE Connectivity		
DIMENSIONS: mm 		CHK S.EBBUTT 15SEP2003			
TOLERANCES UNLESS OTHERWISE SPECIFIED: 0 PLC ± - 1 PLC ± - 2 PLC ± - 3 PLC ± - 4 PLC ± - ANGLES ± -		APVD F.WHEELER-KING 15SEP2003	NAME 15 WAY D-SUB SOCKET WITH BOARD LOCK		
MATERIAL -		FINISH -	PRODUCT SPEC -	APPLICATION SPEC -	RESTRICTED TO -
WEIGHT -			SIZE A3	CAGE CODE 00779	DRAWING NO C-1634585
CUSTOMER DRAWING			SCALE NTS	SHEET 2 OF 2	REV E

## X-ON Electronics

Largest Supplier of Electrical and Electronic Components

*Click to view similar products for [D-Sub Standard Connectors](#) category:*

*Click to view products by [TE Connectivity](#) manufacturer:*

Other Similar products are found below :

[56F711-015](#) [012-9507-004](#) [LV242999-142T12](#) [015-0341-000](#) [015-0372-005](#) [015-0372-008](#) [015-8755-001](#) [020419-0104](#) [012-0467-000](#) [012-0515-000](#) [012-9507-034](#) [012-9507-114](#) [020745-0008](#) [609-25P](#) [M24308/2-23Z](#) [CT2-14S-2PCA34](#) [CT2-18-11PCAU](#) [CT6-10SL-3SC](#) [CT6-10SL-4SC](#) [CT6-14S-2SC](#) [CT6E14SA7SC](#) [M83513/01-FC](#) [M83723/76W24619 L/C](#) [M85049/48-3-2F](#) [6STD09PCM99B70X](#) [6STD09SCM99B30X](#) [6STD09SCT99S40X](#) [6STD15PCT99S40X](#) [6STD15SCM99B30X](#) [6STD15SCT99S40X](#) [6STF09PCM05B70X](#) [7-135760-9](#) [MC11E-10-6SN](#) [747552-3](#) [MD1-21PS](#) [MDM-15SCBRM7-F222](#) [MDM96517-699](#) [MDM96521-744](#) [MDVB1-21SL1](#) [MIK0-1-7SH003](#) [MIKQ6-7SH076](#) [MIKQ7-7PH077](#) [MIKQ7-7PH11](#) [MIKQ7-7PH32](#) [MJSV-28SL61](#) [MKJ4A1F14-55S](#) [8-135760-3](#) [8STD09PCM99B30X](#) [PG-KV/PV-16-GROM-SEALING](#) [GDA15P](#)