

4

3

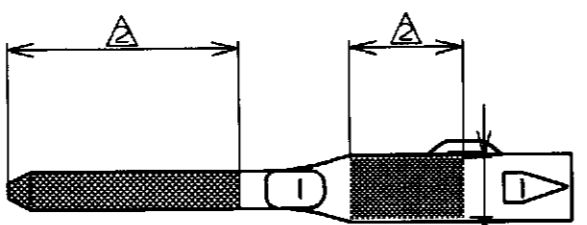
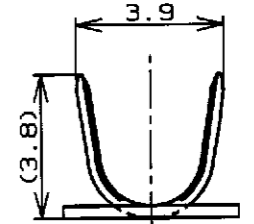
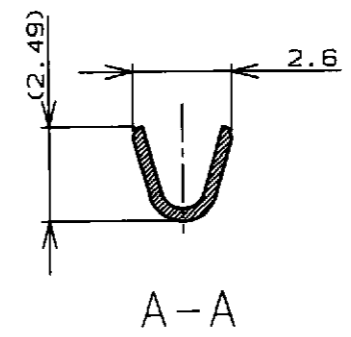
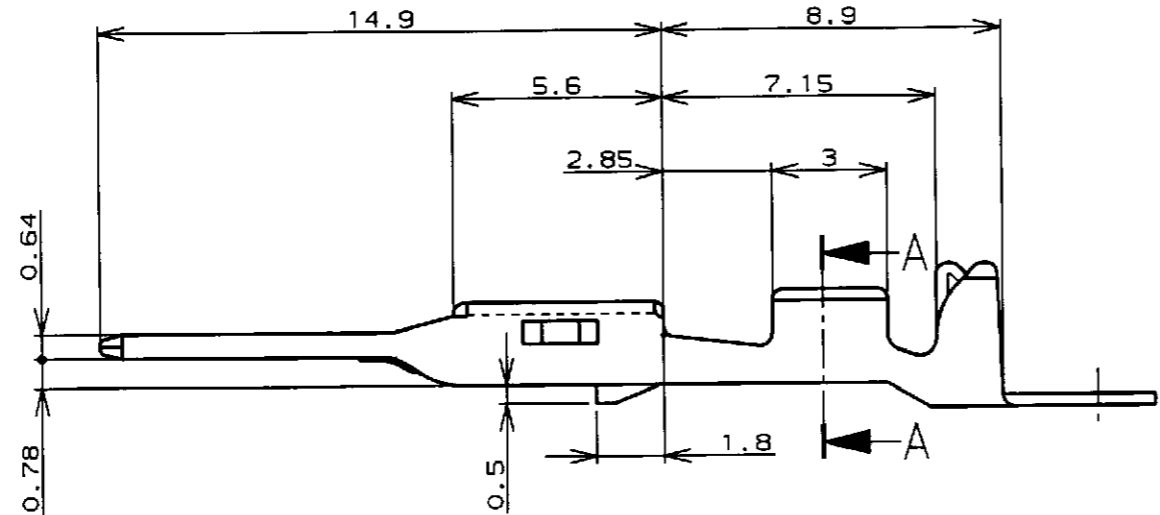
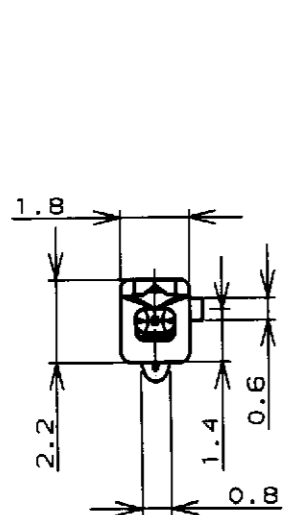
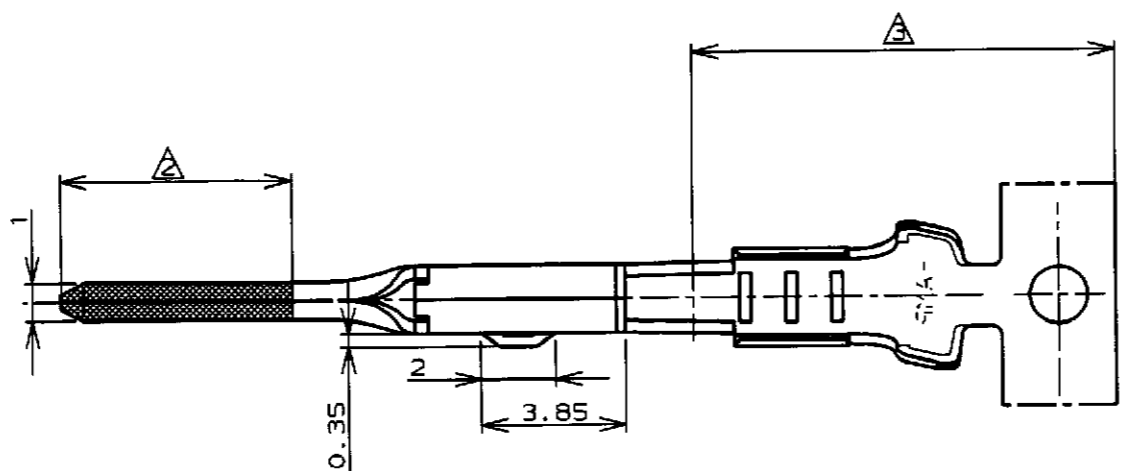
2

1

THIS DRAWING IS UNPUBLISHED. RELEASED FOR PUBLICATION .1996  
 © COPYRIGHT 1996 BY AMP INCORPORATED. ALL RIGHTS RESERVED.

LOC DIST  
 J -

REVISIONS					
P	LTR	DESCRIPTION	ECN	DATE	APVD
	0	DRAWN	FJ00-4529-96	4/24'96	HY NS
	A	REVISED	FJ00-5196-96	9/17'96	SO KO
	B	REVISED	FJ00-1823-97	08DEC97	HY NS
	C	REVISED	FJ00-2179-98	26JAN99	HY NS



注記;  
 1. 適用電線: AVSS,CAVS 0.3~0.5mm<sup>2</sup>  
 △ 金めつき範囲(-2のみ).  
 △ すすめつき範囲(-2のみ).

NOTES;  
 1. APPLICABLE WIRE RANGE ;  
 AVSS,CAVS 0.3~0.5mm<sup>2</sup>  
 △ GOLD PLATING AREA (-2 ONLY)  
 △ TIN PLATING AREA (-2 ONLY)

SELECTIVE GOLD/TIN (部分金めつき/すすめつき)	316834-2
PRE-TINNED (すすめつき)	316834-1
FINISH (仕上)	PART NUMBER (型番)

THIS DRAWING IS A CONTROLLED DOCUMENT FOR AMP INCORPORATED. IT IS SUBJECT TO CHANGE AND THE CONTROLLING ENGINEERING ORGANIZATION SHOULD BE CONTACTED FOR THE LATEST REVISION.		OWN H. YAMAGAMI 4/24'96
DIMENSIONS: 単位: 概 mm		CHK T. KOHNO 4/25'96
TOLERANCES UNLESS OTHERWISE SPECIFIED		APVD N. SAI 4/25'96
一般公差 10% ±0.2 30% ±0.25 100% ±0.3 ANGLE: ±3°		PRODUCT SPEC 製品規格 - -
MATERIAL 材料 BRASS 黄銅		APPLICATION SPEC 取付適用規格 114-5227
FINISH 仕上 SEE TABLE 表参照		WEIGHT 0.34g
CUSTOMER DRAWING		

**AMP** 日本エー・エム・ピー株式会社  
 Kawasaki, Japan

**.040 III SEALED CONTACT, TAB (S)**

SIZE: A3 CAGE CODE: 00779 DRAWING NO: C-316834

SCALE: 5-1 SHEET 1 OF 1 REV C

## X-ON Electronics

Largest Supplier of Electrical and Electronic Components

*Click to view similar products for [Automotive Connectors](#) category:*

*Click to view products by [TE Connectivity](#) manufacturer:*

Other Similar products are found below :

[003-018-000](#) [60403001](#) [60993906-B](#) [M902-2131](#) [M902-2161](#) [M902-2344](#) [72.330.1035.1](#) [73.353.4028.0](#) [F119300-B](#) [F166900](#) [F258300-B](#)  
[F358300-B](#) [F407400](#) [F444110](#) [F487000](#) [F509500B-B](#) [827153-1](#) [8N1515-32-24P](#) [9-1326729-8](#) [925474-1](#) [928905-1](#) [964562-4](#) [968782-1](#)  
[GT17SA-8DS-HU](#) [98891-1012](#) [98947-1016](#) [12004147](#) [12004475-L](#) [12010290](#) [12010309-B](#) [12015454](#) [12020219-B](#) [12041318-B](#) [12052225-](#)  
[L](#) [12052466](#) [12064869](#) [12004327-B](#) [12015308](#) [12015384](#) [12015909](#) [1-21030-1](#) [12041254](#) [12041318](#) [12047946-B](#) [12047957](#) [12047957-L](#)  
[12059473](#) [12066261](#) [12110546](#) [12110546-B](#)