

THIS DRAWING IS UNPUBLISHED.

RELEASED FOR PUBLICATION

ALL RIGHTS RESERVED.

© COPYRIGHT - Tyco Electronics Japan G.K.

LOC J

DIST -

REVISIONS

変更

DESCRIPTION

DATE

DWN

APVD

P

LTR

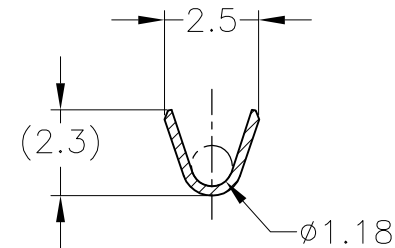
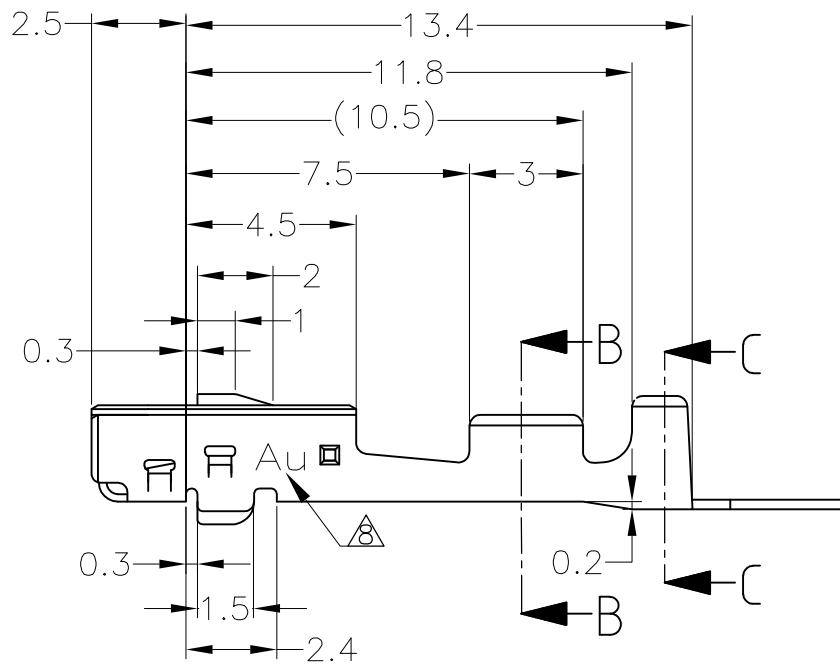
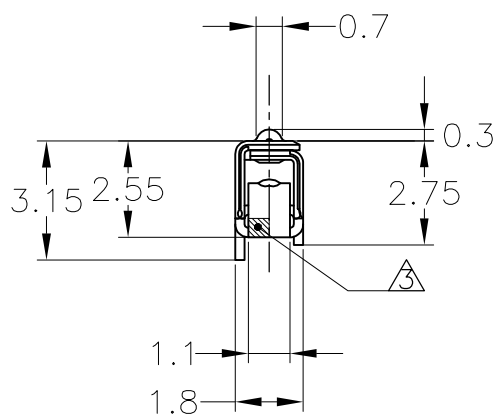
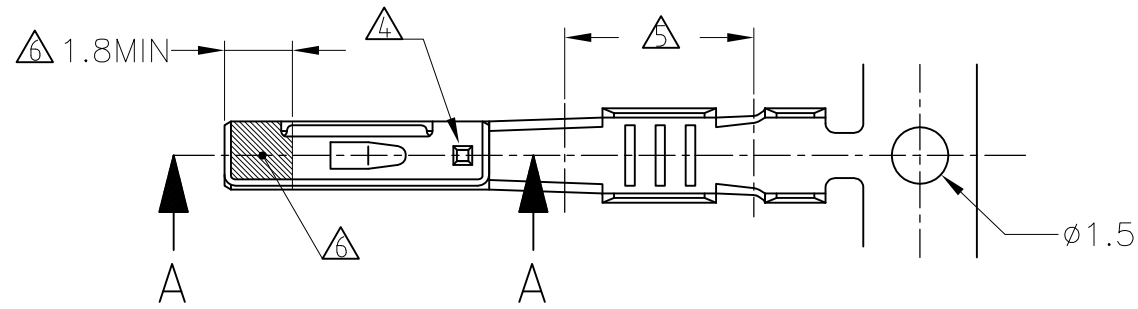
B REVISED

ECR-15-012614

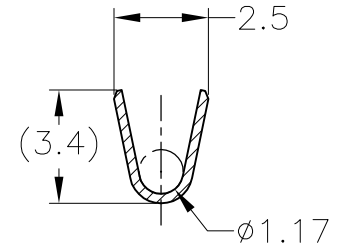
03SEP15

KK

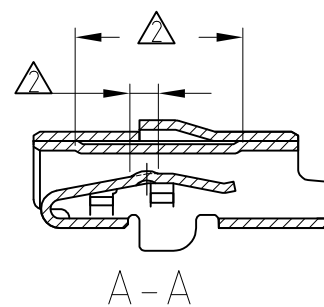
RK



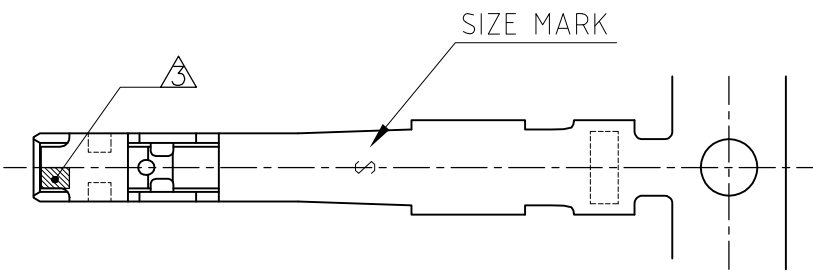
B-B



C-C



A-A



1. 適用電線; AVSS, CAVS, CAVUS 0.3~0.85mm²
 AVS 0.3~0.5mm²

但し、使用するコネクタによって適用電線が制限される場合がある

2 金めっき範囲 (接触面のみ)

3 識別用金めっき

4 金めっき識別用マーク (3カ所)

5 すずめっき範囲

6 金めっき範囲 (1--2のみ)

7 取付適用規格番号; 114-5217

8 識別用刻印

1. APPLICABLE WIRE RANGE;
 AVSS, CAVS, CAVUS 0.3~0.85mm²
 AVS 0.3~0.5mm²

BUT, AN APPLIED CONNECTOR OFTEN MAKE
 THE APPLICABLE WIRE RANGE NARROW

2 GOLD PLATING AREA (CONTACT SIDE ONLY)

3 GOLD PLATING FOR DISCERNMENT

4 GOLD PLATING DISCERNMENT MARK (3 PLACES)

5 TIN PLATING AREA

6 GOLD PLATING AREA (1--2 ONLY)

7 APPLICATION SPEC NO; 114-5217

8 MARKING FOR IDENTIFICATION

THIS DRAWING IS A CONTROLLED DOCUMENT.

DIMENSIONS:
単位: 耗
mm

TOLERANCES UNLESS
OTHERWISE SPECIFIED:
一般公差

0 PLC	±-
1 PLC	±-
2 PLC	±-
3 PLC	±-
4 PLC	±-
ANGLES	±-

MATERIAL
材料
Cu ALLOY

FINISH
仕上
SEE TABLE

DWN M.SUGAWARA 18MAY06

CHK T.SHINOHARA 18MAY06

APVD K.BETSUI 18MAY06

PRODUCT SPEC
製品規格

APPLICATION SPEC
取付適用規格

114-5217

WEIGHT 0.27g

CUSTOMER DRAWING

SELECTIVE GOLD/TIN 2 3 5 6 8	1-316837-2
SELECTIVE GOLD/TIN 2 3 5 8	316837-2
SEE DRAWING 316837-1	316837-1
FINISH	PART NUMBER

STE TE Connectivity

NAME
名称

040 III UNSEALED CONTACT

RECEPTACLE (S) Au

SIZE

CAGE CODE

DRAWING NO
番号

RESTRICTED TO

A300779

G-316837

SCALE
尺度 5:1

SHEET
1 OF 1

REV
B

TOLERANCES UNLESS OTHERWISE SPECIFIED: 一般公差	
10 _±	±0.2
30 _±	> 10 : ±0.25
100 _±	> 30 : ±0.3
ANGLE	±3°

X-ON Electronics

Largest Supplier of Electrical and Electronic Components

Click to view similar products for [Automotive Connectors](#) category:

Click to view products by [TE Connectivity](#) manufacturer:

Other Similar products are found below :

[003-018-000](#) [60403001](#) [60993906-B](#) [M902-2131](#) [M902-2161](#) [M902-2344](#) [72.330.1035.1](#) [73.353.4028.0](#) [F119300-B](#) [F166900](#) [F258300-B](#)
[F358300-B](#) [F407400](#) [F444110](#) [F487000](#) [F509500B-B](#) [827153-1](#) [8N1515-32-24P](#) [9-1326729-8](#) [925474-1](#) [928905-1](#) [964562-4](#) [968782-1](#)
[GT17SA-8DS-HU](#) [98891-1012](#) [98947-1016](#) [12004147](#) [12004475-L](#) [12010290](#) [12010309-B](#) [12015454](#) [12020219-B](#) [12041318-B](#) [12052225-](#)
[L](#) [12052466](#) [12064869](#) [12004327-B](#) [12015308](#) [12015384](#) [12015909](#) [1-21030-1](#) [12041254](#) [12041318](#) [12047946-B](#) [12047957](#) [12047957-L](#)
[12059473](#) [12066261](#) [12110546](#) [12110546-B](#)