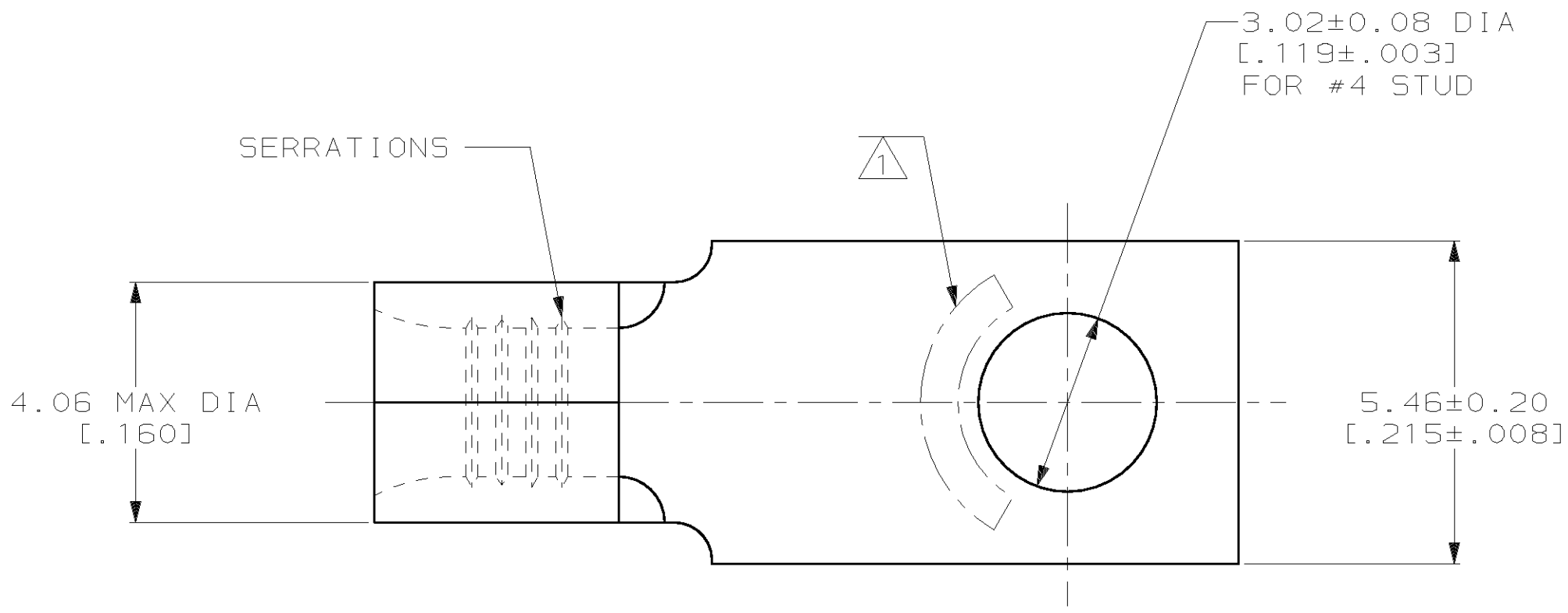


THIS DRAWING IS UNPUBLISHED. RELEASED FOR PUBLICATION, 19 .  
 © COPYRIGHT 19 BY AMP INCORPORATED. ALL INTERNATIONAL RIGHTS RESERVED.

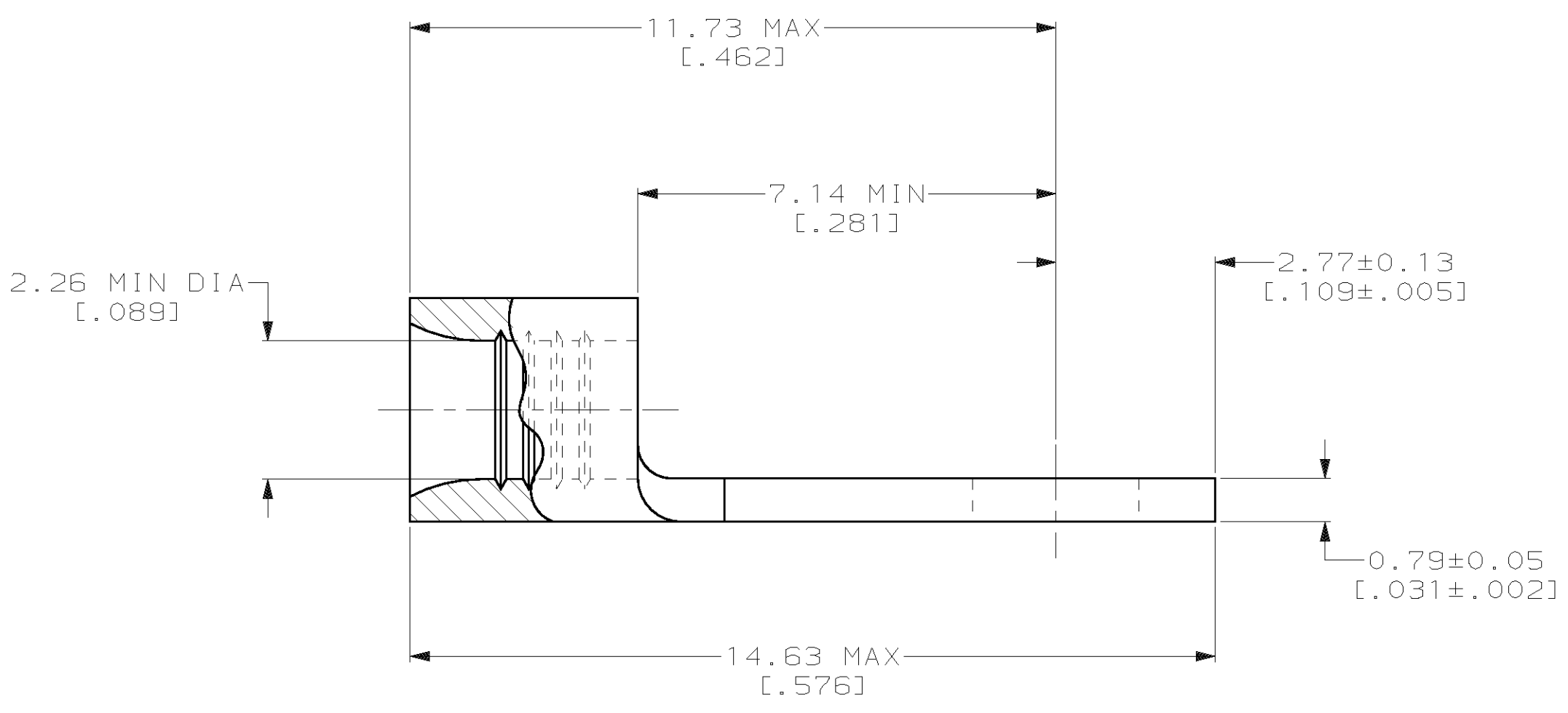
LOC	DIST	P	F	ZONE	LTR	DESCRIPTION	DATE	APPD
G	14					C REVISED PER 0720-0230-93	2/25/94	OK DAP

**METRIC**  
 DIMENSIONS LISTED IN mm [ INCHES ]



<b>AMP</b> WIRE RANGE	<b>UL</b> E13288 Listed
16-14 AWG STRANDED	16-14 AWG STRANDED
<b>CS</b> LR7189 Certified	<b>MILITARY P/N</b> AND CLASS
NOT CERTIFIED	NOT APPLICABLE

1 STAMP AMP 16-14\* APPROX AS SHOWN



31691

31691  
 PART NO

**AMP INCORPORATED**  
**CUSTOMER SERVICE SYSTEMS**

MAX RECOMMENDED OPERATING TEMPERATURE:  
 170°C MAX

DO NOT SCALE PRINT.  
 UNLESS SPECIFIED  
 DIMENSIONS IN mm [INCHES]  
 TOLERANCES ON:  
 2 PLC DEC ± -  
 3 PLC DEC ± -  
 ANGLES ± -

DR 1-27-93  
 TA BRINKMAN  
 CHK 1-27-93  
 DA PATTERSON  
 APPD 1-27-93  
 DE MILLER  
 APPD 1-27-93  
 JL MECKLEY

**AMP** AMP Incorporated  
 Harrisburg, PA 17105-3608

FOR ADDITIONAL  
 PRODUCT INFORMATION OR  
 COPIES OF DRAWINGS  
 AND TECHNICAL DOCUMENTS

PRODUCT INFORMATION CENTER  
 1-800-522-6752

VOLTAGE RATING:  
 NOT APPLICABLE

MATERIAL  
 COPPER PER  
 ASTM B-152  
 ANNEALED

PRODUCT SPEC  
 -

NAME  
**TERMINAL, RECTANGULAR  
 TONGUE, BUDGET**

FOR APPLICATION  
 TOOLING INFORMATION

TOOLING ASSISTANCE CENTER  
 1-800-722-1111

WIRE CROSS SECTIONAL AREA RANGE:  
 1.04-2.62mm<sup>2</sup> [2,050-5,180] CIR MILS  
 STRANDED

FINISH  
 TIN PLATE  
 0.00254 [.000100] MIN  
 THK PER MIL-T-10727

APPLICATION SPEC  
 -

SIZE  
 C 00779  
 DRAWING NO  
 C-31691

FOR ORDER ENTRY

1-800-526-5142

THIS DRAWING IS A CONTROLLED DOCUMENT FOR  
 AMP INCORPORATED. IT IS SUBJECT TO CHANGE  
 AND THE CONTROLLING ENGINEERING ORGANIZATION  
 SHOULD BE CONTACTED FOR THE LATEST REVISION.

WEIGHT  
 -

SCALE 10:1

SHEET 1 OF 1

## X-ON Electronics

Largest Supplier of Electrical and Electronic Components

*Click to view similar products for [Terminals](#) category:*

*Click to view products by [TE Connectivity](#) manufacturer:*

Other Similar products are found below :

[00-054007-01074-6](#) [00-054007-70206-1](#) [00-054007-70210-8](#) [00-054007-70217-7](#) [00-054007-70226-9](#) [00-054007-70228-3](#) [00-054007-70248-1](#) [00-054007-70256-6](#) [00-054007-70301-3](#) [00-054007-70316-7](#) [00-054007-49560-4](#) [00-054007-70209-2](#) [00-054007-70225-2](#) [00-054007-70227-6](#) [00-054007-70231-3](#) [00-054007-70241-2](#) [00-054007-70242-9](#) [00-054007-70244-3](#) [00-054007-70246-7](#) [00-054007-70263-4](#) [00-054007-70288-7](#) [00-054007-70290-0](#) [00-054007-70300-6](#) [00-054007-70304-4](#) [01-2065-1-0216](#) [01-2900-1-04412](#) [00581P0075](#) [600TS-10](#) [60205-1](#) [604200-1](#) [605601-1](#) [60598-1-CUT-TAPE](#) [61314-6-C](#) [61810-3](#) [61-S](#) [61-SN](#) [626-0194](#) [62-NBM-A](#) [62-SN](#) [62-SP](#) [63-S](#) [640179-1](#) [M55155/059I03](#) [M55155/079C01](#) [M55155/099H02](#) [M55155/109H01](#) [M55155/109H02](#) [M55155/12XH05](#) [M55155/16XH02](#) [M55155/29-5S](#)