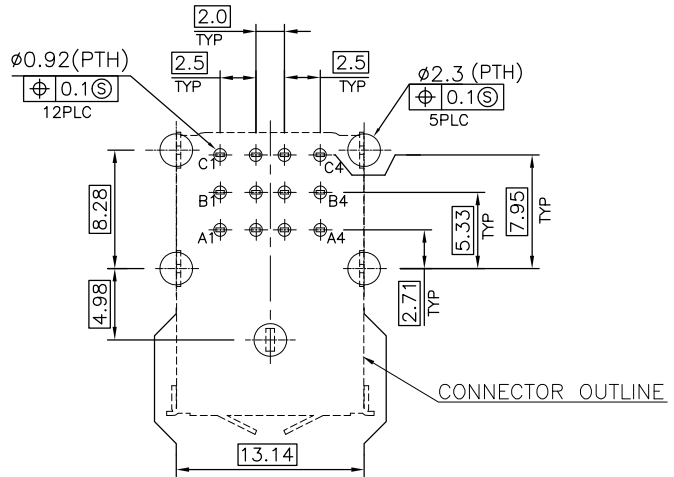
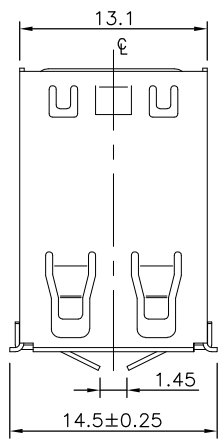


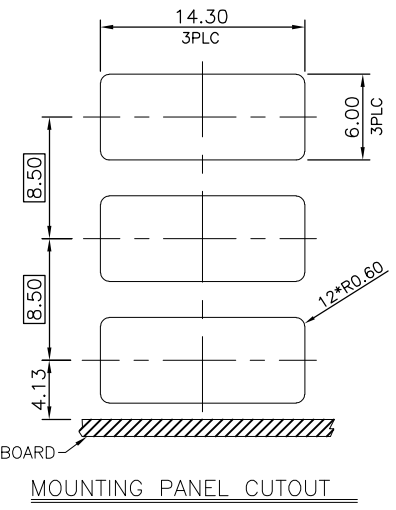
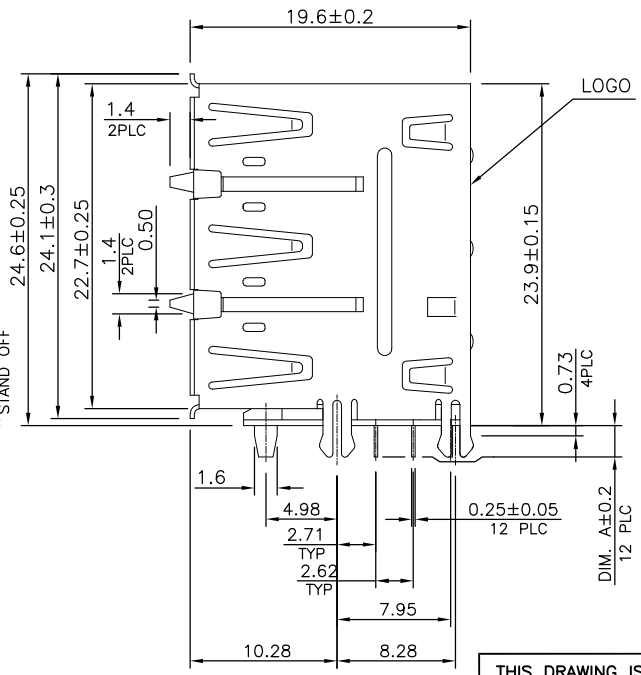
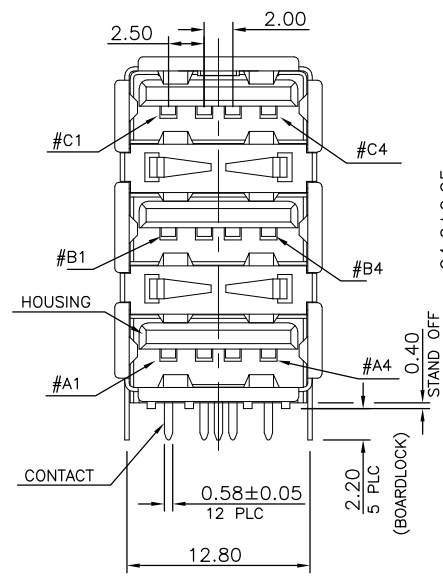
THIS DRAWING IS UNPUBLISHED. RELEASED FOR PUBLICATION
 © COPYRIGHT BY TYCO ELECTRONICS CORPORATION. ALL RIGHTS RESERVED.

LOC	DIST	REVISIONS				
P	LTR	DESCRIPTION	DATE	DWN	APVD	
DW		D3	REVISED (E-16-005542/P-16-013174)	13FEB17	A.X H.W	



RECOMMENDED PCB LAYOUT
TOLERANCE: ±0.05mm

- NOTES:
- MATERIAL:
HOUSING: A. PA6T WITH 30% GF, UL 94V-0, COLOR: SEE TABLE.
● B. PA9T WITH 33% GF, UL 94V-0, COLOR: BLACK.
CONTACTS: PHOSPHOR BRONZE.
SHELL: PHOSPHOR BRONZE.
SPRING: STAINLESS.
REAR SHELL: PHOSPHOR BRONZE.
 - FINISH:
CONTACTS: GOLD PLATING (SEE TABLE) IN CONTACT AREA,
2.54µm[100µ"] MIN. MATTE TIN PLATING ON SOLDERTAILS,
1.27µm[50µ"] MIN. NICKEL UNDERPLATED OVER ALL.
SHELL: 2.54µm[100µ"] MIN. NICKEL PLATING OVER ALL.
SPRING: 1.27µm[50µ"] MIN. NICKEL PLATING.
REAR SHELL: 1.27µm[50µ"] MIN. NICKEL PLATING.
 - RECOMMENDED PCB THICKNESS: 1.6mm.
 - WAVE SOLDER CAPABLE TO 265° PER TE CONNECTIVITY SPEC. 109-202, CONDITION B.
 - RELOW SOLDER CAPABLE TO 260° PER TE CONNECTIVITY SPEC. 109-201, CONDITION B.
 - "●" APPLIED FOR 1-1734309-5 ONLY
- △ OBSOLETE PARTS: OBSOLETE CIS STREAMLINING PER D.RENAUD/D.SINISI



STATUS	QTY	COLOR	THICKNESS	PART NUMBER
OBSOLETE	3.91	BLACK (426C)	15µ"	4-1734309-7
		BEIGE (726C)	15µ"	2-1734309-8
		BLACK (426C)	15µ"	2-1734309-7
OBSOLETE		BEIGE (726C)	30µ"	2-1734309-6
		BLACK (426C)	30µ"	2-1734309-5
OBSOLETE	2.84	BEIGE (726C)	5µ"	2-1734309-4
OBSOLETE		BLACK (426C)	5µ"	2-1734309-3
OBSOLETE		BEIGE (726C)	C/F	2-1734309-2
OBSOLETE		BLACK (426C)	C/F	2-1734309-1
△ OBSOLETE		BEIGE (726C)	15µ"	1734309-8
△ OBSOLETE		BLACK (426C)	15µ"	1734309-7
△ OBSOLETE		BEIGE (726C)	30µ"	1734309-6
		BLACK (426C)	30µ"	1734309-5
△ OBSOLETE	2.2	BEIGE (726C)	5µ"	1734309-4
		BLACK (426C)	5µ"	1734309-3
OBSOLETE		BEIGE (726C)	C/F	1734309-2
OBSOLETE		BLACK (426C)	C/F	1734309-1

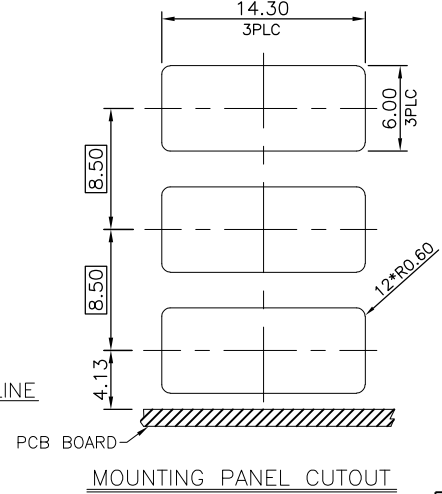
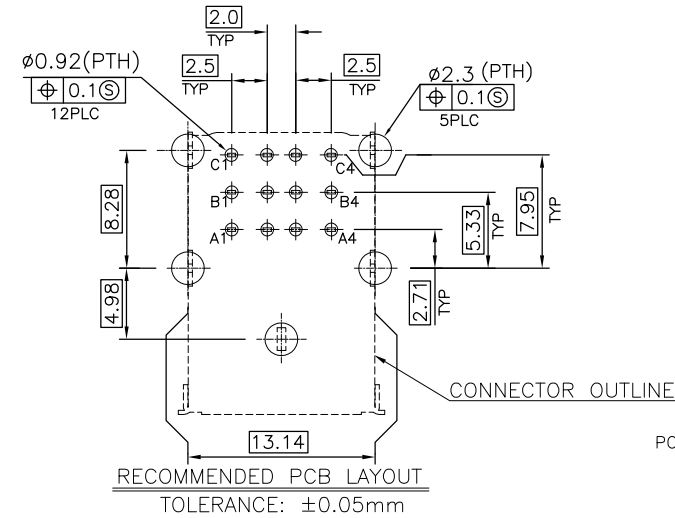
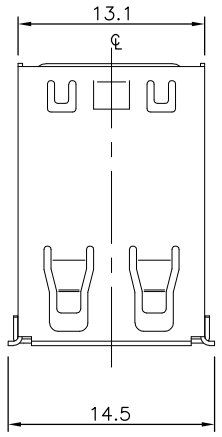
WITH SPRING

THIS DRAWING IS A CONTROLLED DOCUMENT.

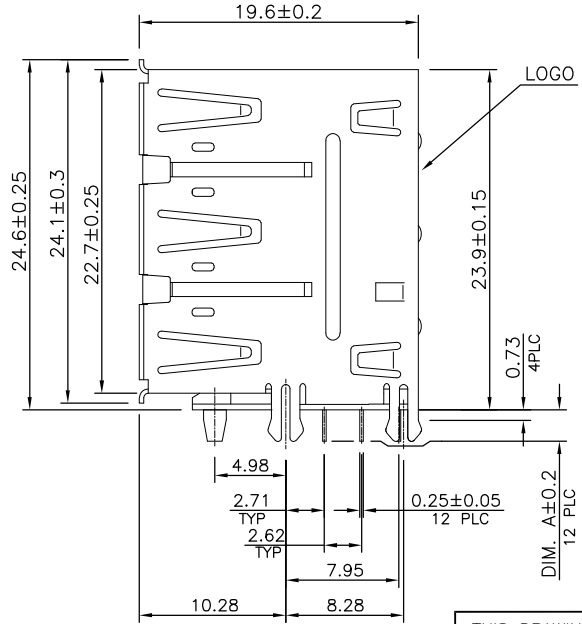
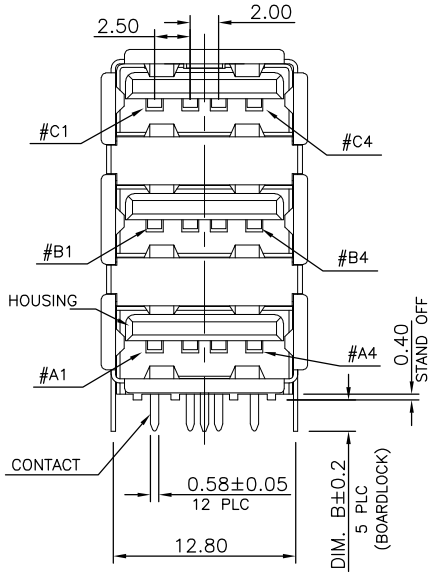
DIMENSIONS: MM	TOLERANCES UNLESS OTHERWISE SPECIFIED:	DWN B. HSING 06FEB2009	TE Connectivity
		CHK S. CHIEN 06FEB2009	
		APVD W. KODAMA 06FEB2009	NAME
		PRODUCT SPEC	TRIPLE STACKED USB, A TYPE, RECEPTACLE, R/A, DIP CONN.
		APPLICATION SPEC	108-57519
MATERIAL SEE NOTE	FINISH SEE NOTE	WEIGHT 9.2 GRAMS	SIZE A3
		CUSTOMER DRAWING	CAGE CODE 00779
			DRAWING NO. C=1734309
			RESTRICTED TO
			SHEET 1 OF 3
			REV D3

THIS DRAWING IS UNPUBLISHED. RELEASED FOR PUBLICATION
 © COPYRIGHT BY TYCO ELECTRONICS CORPORATION. ALL RIGHTS RESERVED.

LOC	DIST	REVISIONS					
DW		P	LTR	DESCRIPTION	DATE	DWN	APVD
				SEE SHEET 1.			



WITHOUT SPRING



	DIM B	DIM A	HOUSING COLOR	MIN. GOLD THICKNESS	PART NUMBER
△ OBSOLETE	2.84	2.84	BLACK (426C)	15µ"	5-1734309-7
△ OBSOLETE			-BEIGE (726C)	15µ"	3-1734309-8
△ OBSOLETE			-BLACK (426C)	15µ"	3-1734309-7
			-BEIGE (726C)	30µ"	3-1734309-6
			BLACK (426C)	30µ"	3-1734309-5
			-BEIGE (726C)	5µ"	3-1734309-4
			-BLACK (426C)	5µ"	3-1734309-3
			-BEIGE (726C)	G/F	3-1734309-2
			-BLACK (426C)	G/F	3-1734309-1
			-BEIGE (726C)	15µ"	1-1734309-8
			BLACK (426C)	15µ"	1-1734309-7
			-BEIGE (726C)	30µ"	1-1734309-6
			BLACK (426C)	30µ"	1-1734309-5
			-BEIGE (726C)	5µ"	1-1734309-4
			-BLACK (426C)	5µ"	1-1734309-3
			-BEIGE (726C)	G/F	1-1734309-2
			BLACK (426C)	G/F	1-1734309-1

THIS DRAWING IS A CONTROLLED DOCUMENT.

DWN
CHK
APVD
PRODUCT SPEC
APPLICATION SPEC
WEIGHT 9.0 GRAMS
CUSTOMER DRAWING

TE Connectivity

NAME
TRIPLE STACKED USB, A TYPE, RECEPTACLE, R/A, DIP CONN.

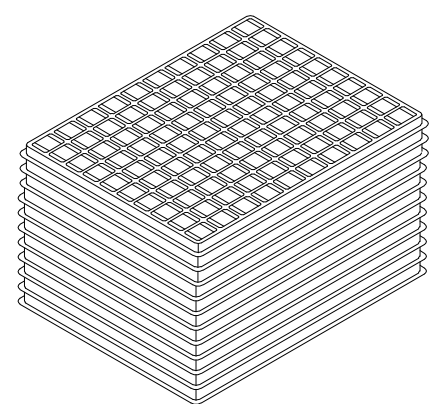
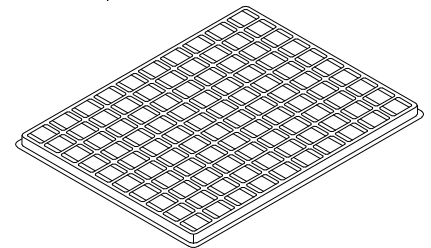
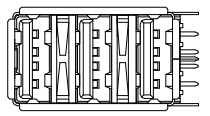
SIZE A3 CAGE CODE 00779 DRAWING NO C=1734309 RESTRICTED TO

SHEET 2 OF 3 REV D3

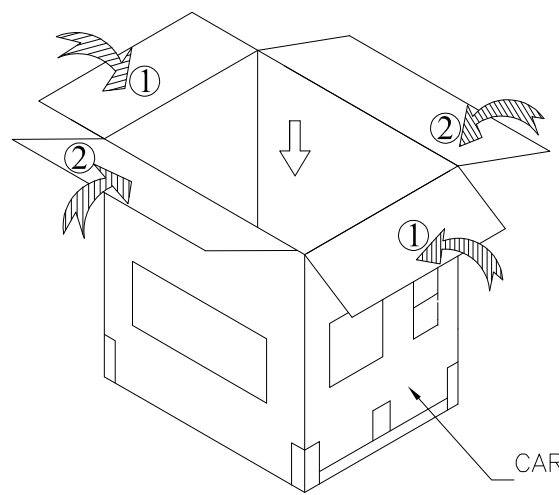
THIS DRAWING IS UNPUBLISHED. RELEASED FOR PUBLICATION
 © COPYRIGHT BY TYCO ELECTRONICS CORPORATION. ALL RIGHTS RESERVED.

LOC	DIST	REVISIONS					
DW		P	LTR	DESCRIPTION	DATE	DWN	APVD
				SEE SHEET 1.			

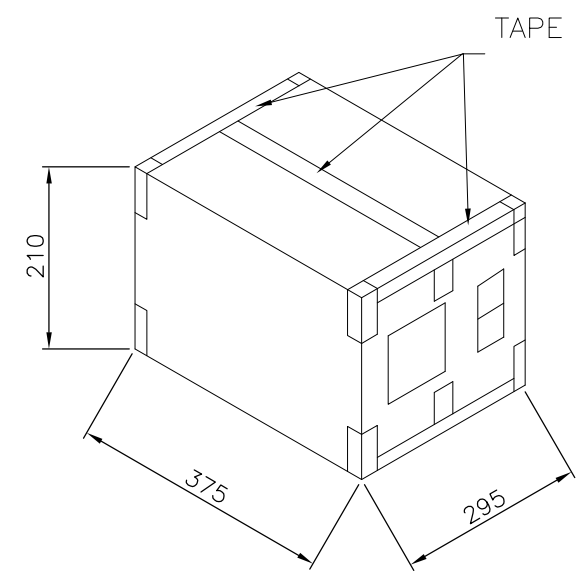
100PCS/TRAY



10 LAYERS



CARTON



13.0	12.0	100	10	1000
G/W (KG)	N/W (KG)	PCS/TRAY	TRAY/CARTON	PCS/CARTON

THIS DRAWING IS A CONTROLLED DOCUMENT.		DWN			
DIMENSIONS: MM		CHK			
TOLERANCES UNLESS OTHERWISE SPECIFIED:		APVD	NAME		
0 PLC ± -		PRODUCT SPEC	TRIPLE STACKED USB, A TYPE, RECEPTACLE, R/A, DIP CONN.		
1 PLC ± -		APPLICATION SPEC	SIZE	CAGE CODE	DRAWING NO
2 PLC ± -		MATERIAL	A3	00779	C=1734309
3 PLC ± -		FINISH	WEIGHT	RESTRICTED TO	
4 PLC ± -			CUSTOMER DRAWING		
ANGLES ± -			SCALE	SHEET	REV
			-	3 OF 3	D3

X-ON Electronics

Largest Supplier of Electrical and Electronic Components

Click to view similar products for [USB Connectors](#) category:

Click to view products by [TE Connectivity](#) manufacturer:

Other Similar products are found below :

[65-647-8-BK-BU](#) [950](#) [952](#) [E8144-B01021-L](#) [A-USB B-TOP-C](#) [MUSBA511N5](#) [MUSBD11135](#) [217450-1](#) [CA 6 W LD](#) [KMBVX-TH-5S-B30](#)
[896-30-004-00-000000](#) [KUSBVX-BS1N-W30](#) [KUSBX-AP-KIT-SCBLK](#) [KUSBX-AS2N-W](#) [KUSBX-SMT2AP1S-W](#) [KUSBX-SMT2AP1S-](#)
[W30](#) [935](#) [957](#) [30-498-6](#) [17-210051](#) [1734082-1](#) [30-1574](#) [30-470](#) [30-489](#) [30-541](#) [30-572-3](#) [MAB 8 SN V](#) [A-USB A-2P-C](#) [MIKROE-1451](#)
[USBFTV2PEM2G](#) [USBFTVC6ZN](#) [KUSBX-AS2N-W30](#) [KUSBX-SLAS1N-W](#) [KUSBX-SMT-AS1N-W30](#) [4689-1](#) [1-1734084-2](#) [E8110-001-](#)
[01](#) [33UBARS1-04SW11](#) [33UBAR-04SW11](#) [USBF21ZNSCC](#) [USBBFTV6ZC](#) [MUSBB151341](#) [10135326-001LF](#) [M9177/3-1](#) [USB-A-S-F-B-](#)
[VT](#) [925](#) [4198](#) [690-024-633-031](#) [KUSBEX-BSFS1N-W](#) [USBFTVC6MRG](#)