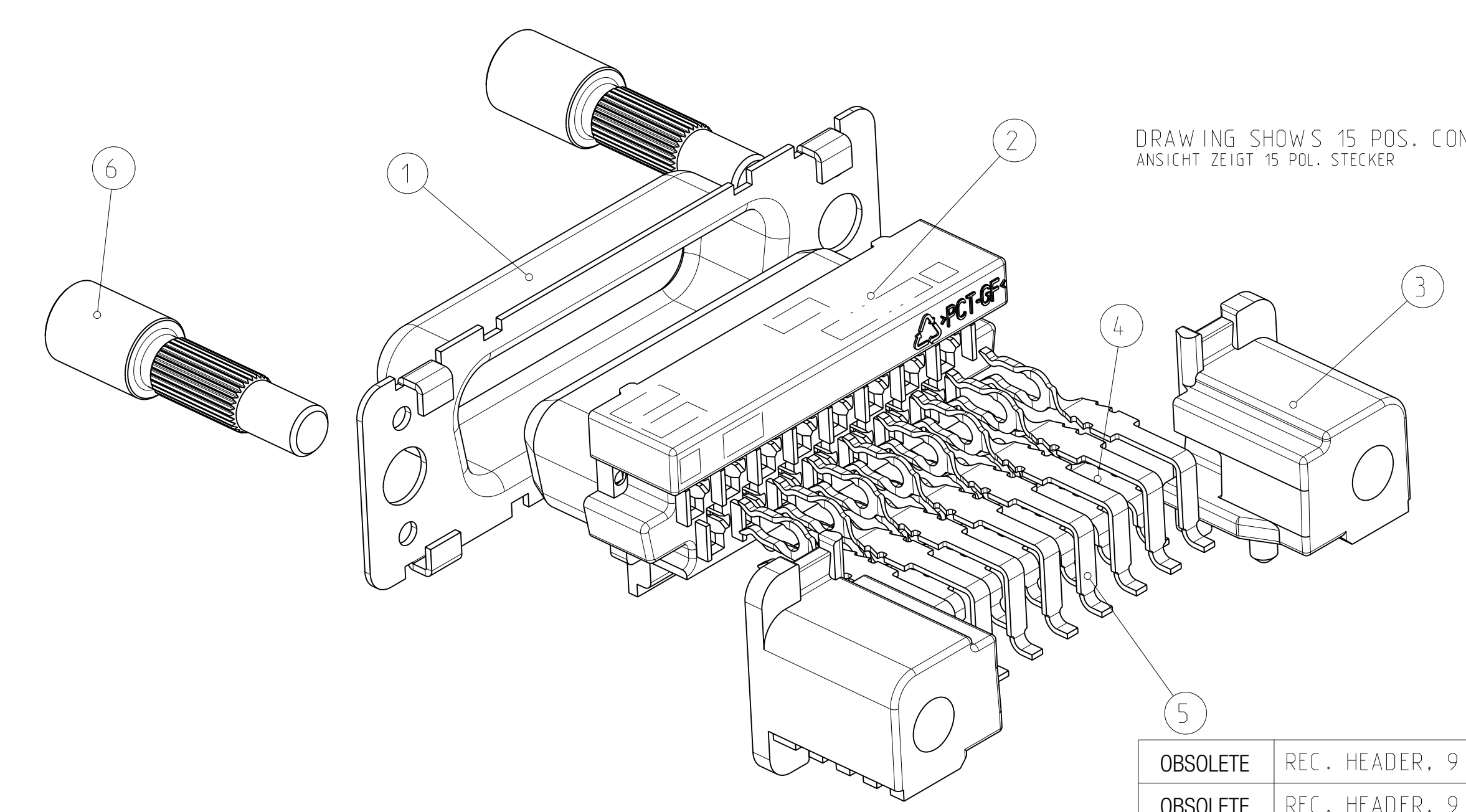
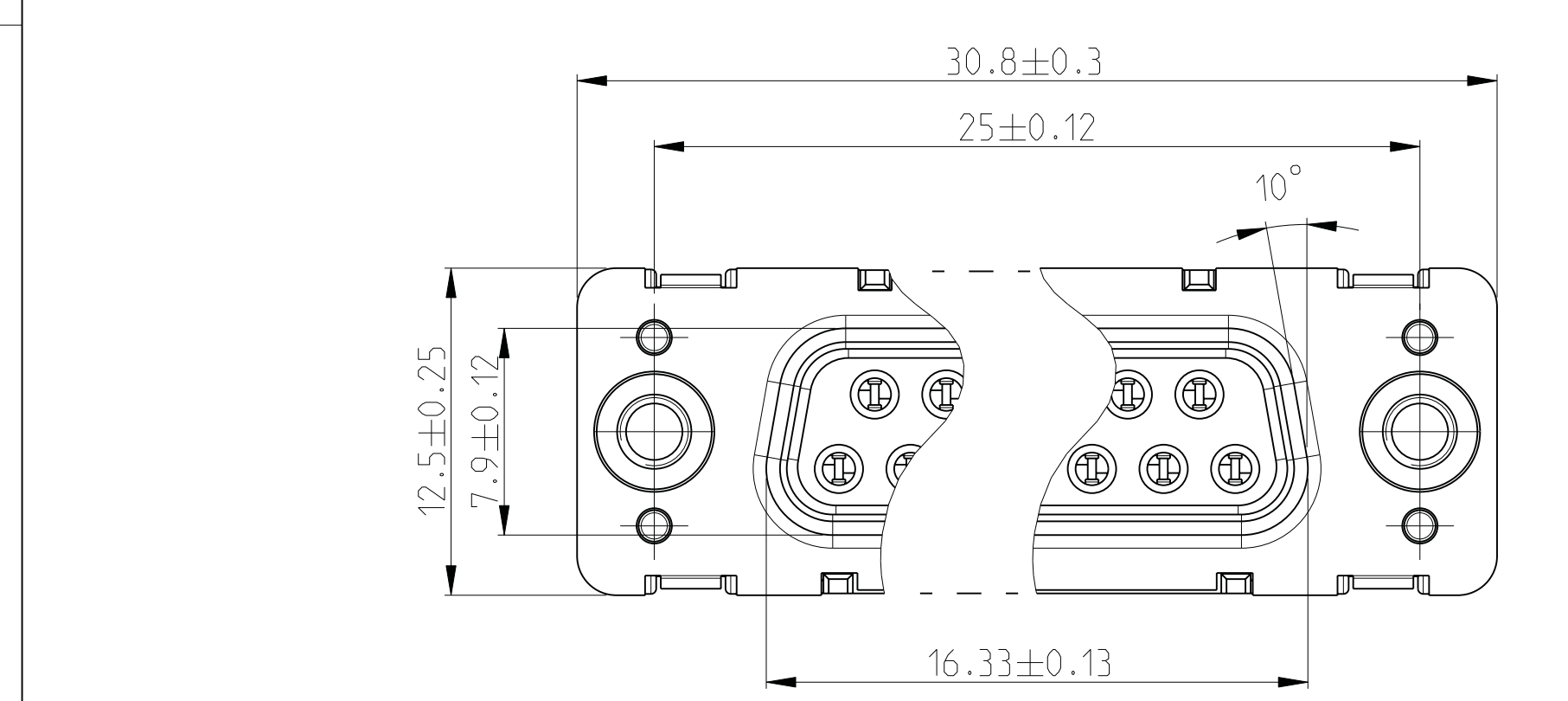
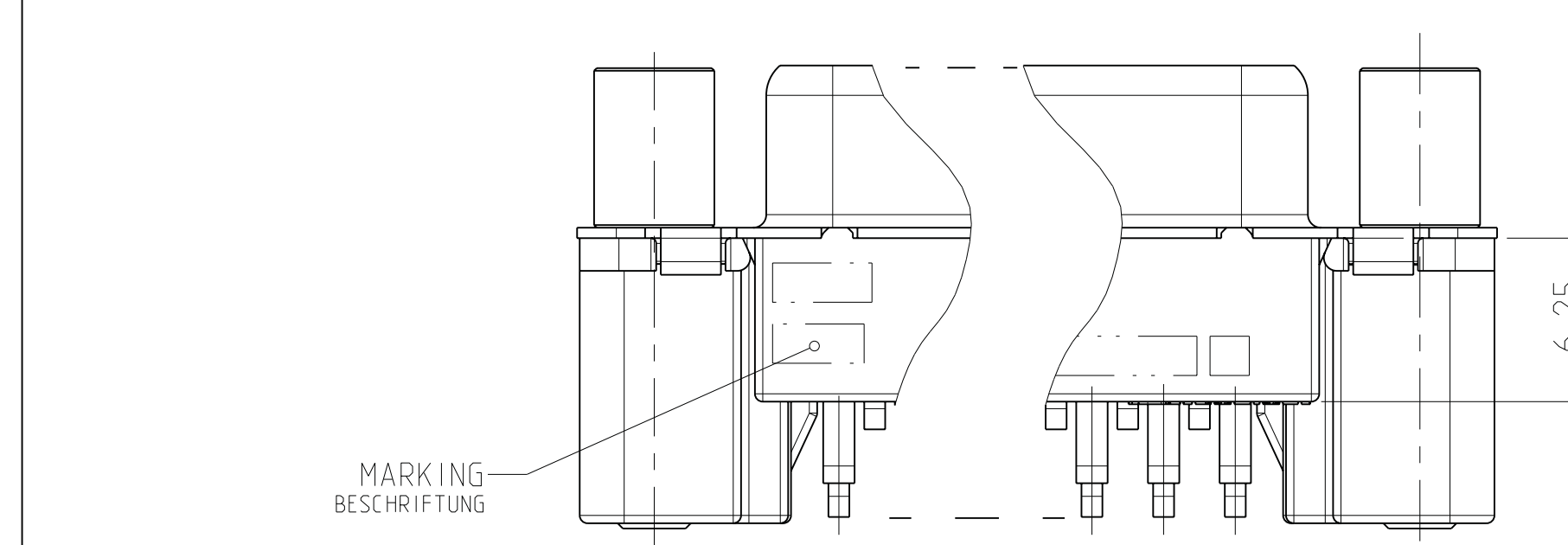
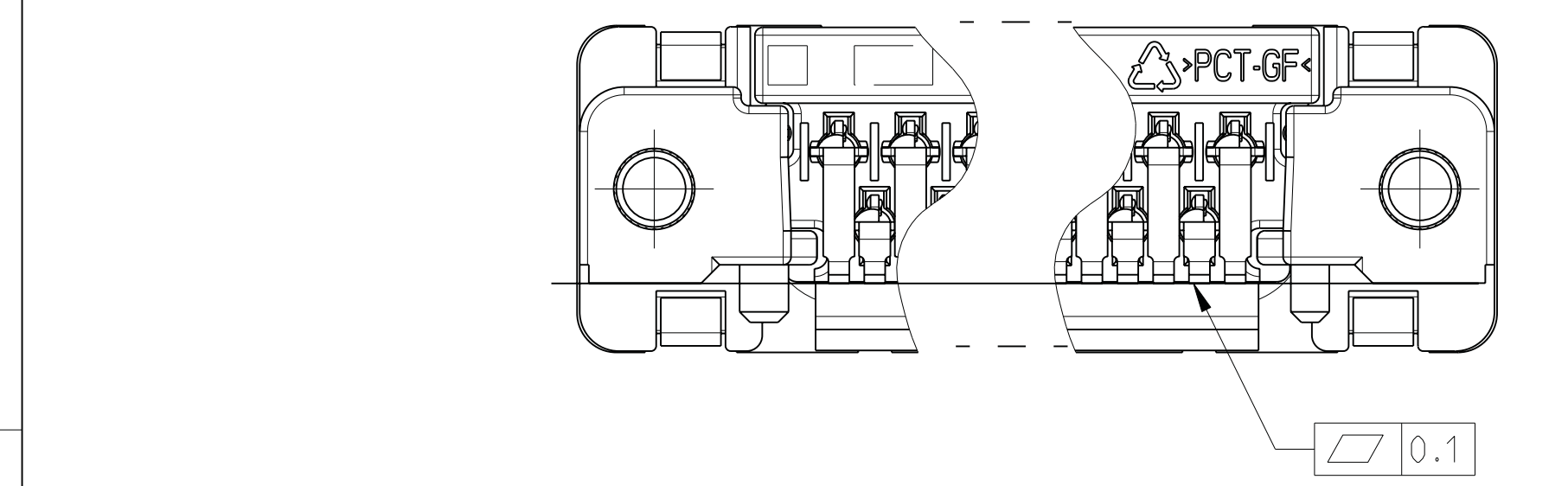
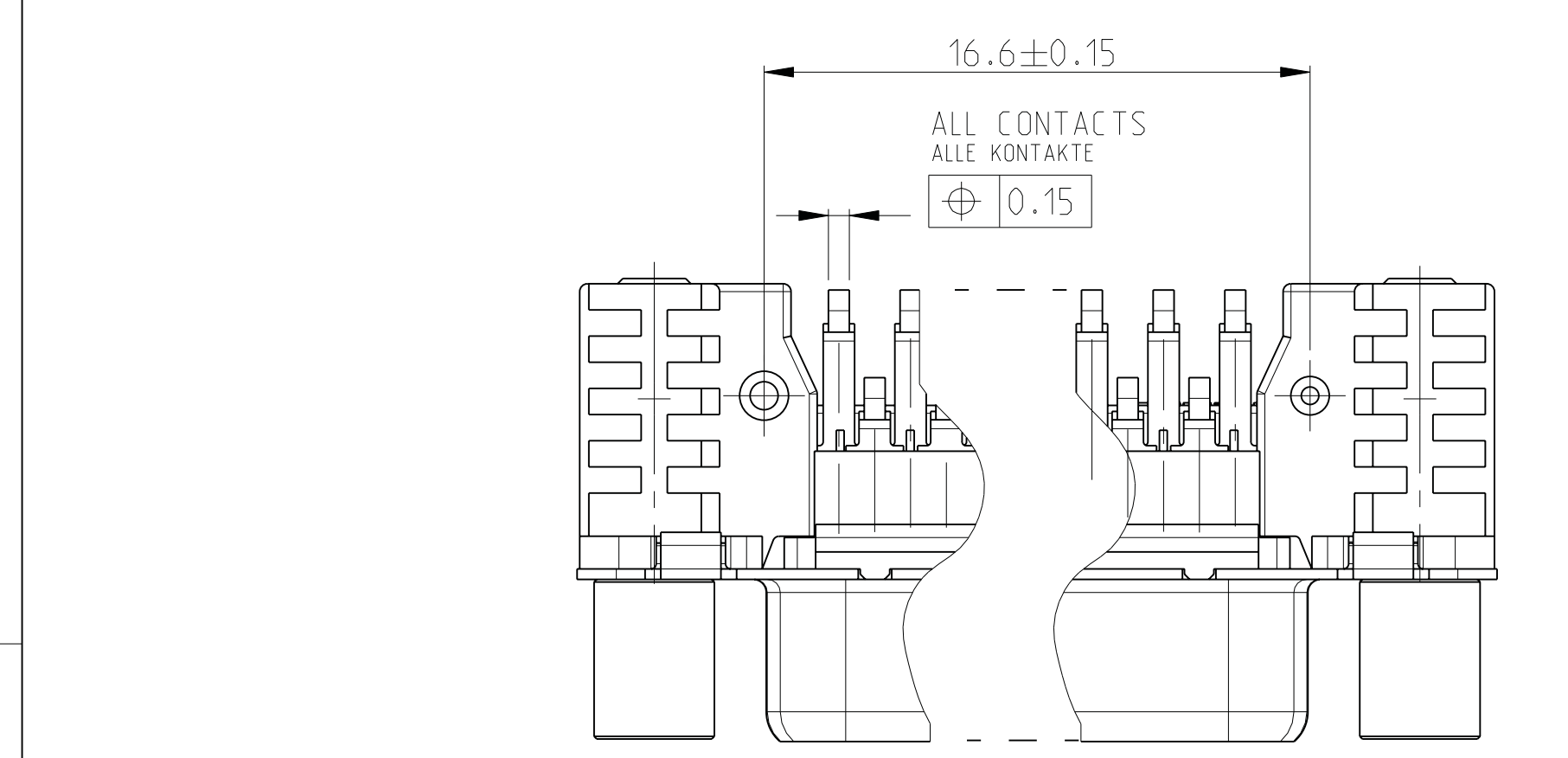
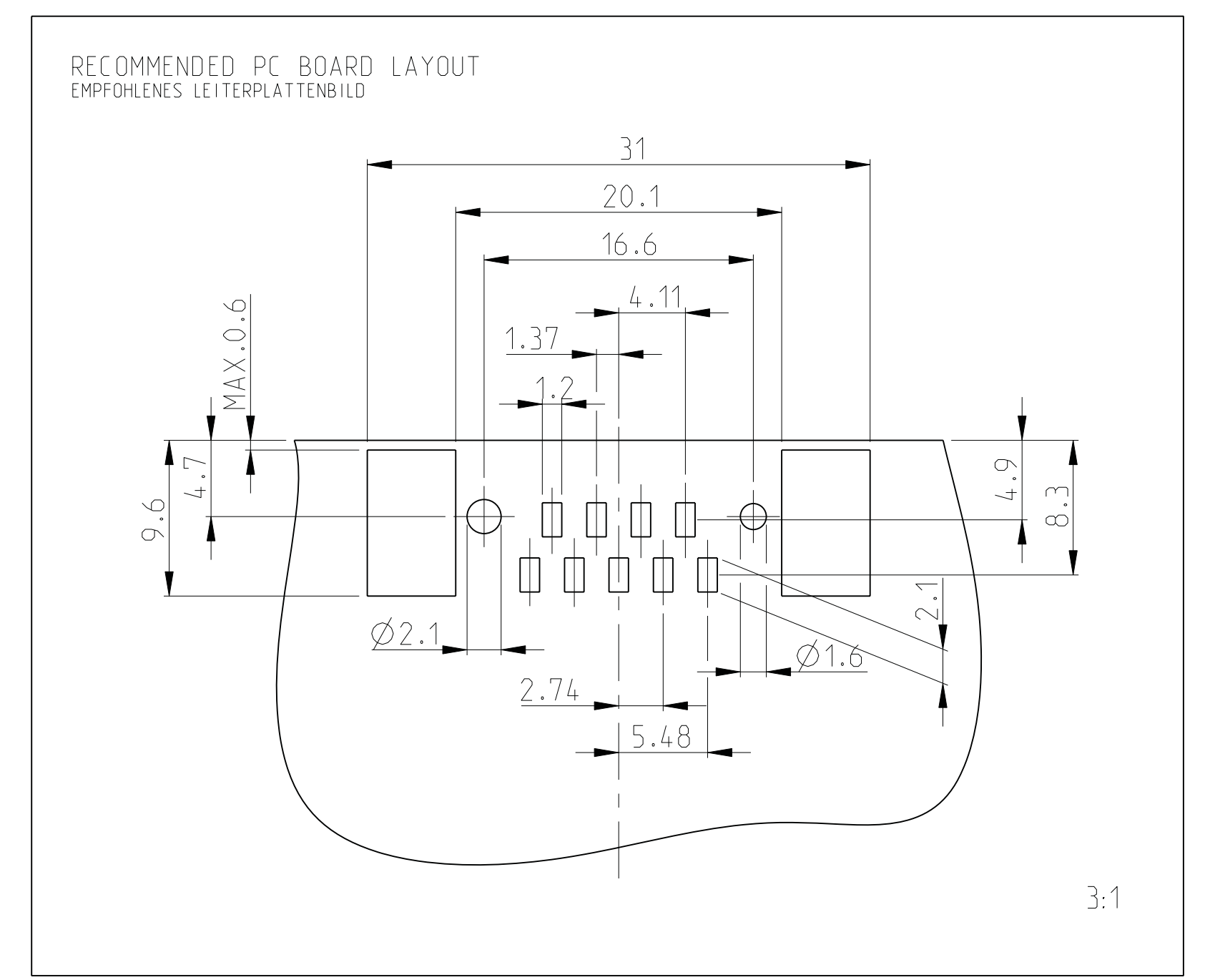
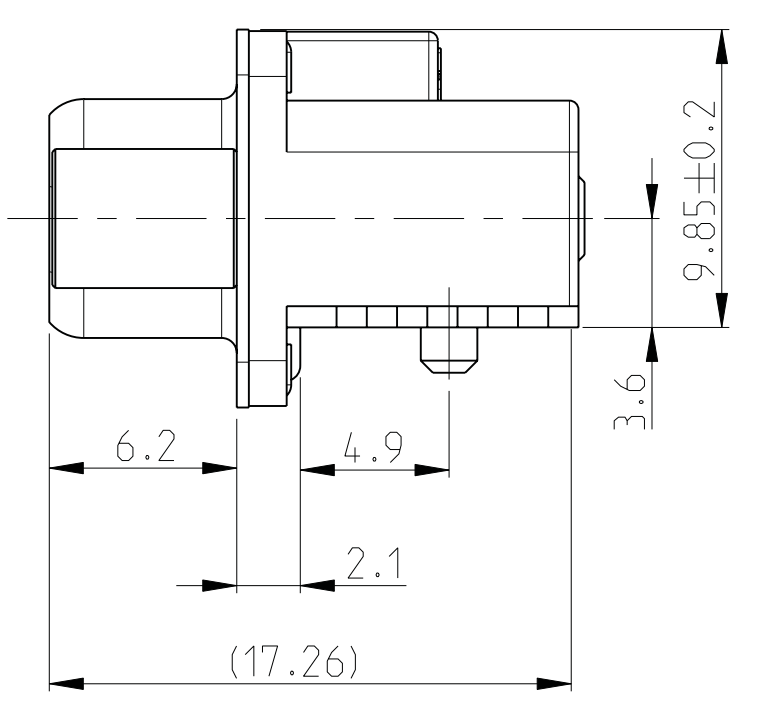


LOC	DIST	REVISIONS					
		P.	LTR	DESCRIPTION	DATE	DWN	APVD
A1	-	D1		REVISED PER ECO-11-005294	21MAR2011	RK	HMR
		E		REVISED PER ECO-12-000073	29FEB2012	CJV	SLB



DRAWING SHOWS 15 POS. CONNECTOR
ANSICHT ZEIGT 15 POL. STECKER

OBSELETE	REC. HEADER, 9 POS., STUD WITH THREAD M3	4-1740194-2	4-1740194-5
OBSELETE	REC. HEADER, 9 POS., BRACKET WITH THREAD M3	2-1740194-2	2-1740194-5
	REC. HEADER, 9 POS., STUD WITH THREAD UNC 4/40	3-1740194-2	3-1740194-5
	REC. HEADER, 9 POS., BRACKET WITH THREAD UNC4-40	1-1740194-2	1-1740194-5
	REC. HEADER, 9 POS., BRACKET WITH HOLE Ø3.1	0-1740194-2	0-1740194-5
	DESCRIPTION	SHELL PLATING: TIN OVER Ni	SHELL PLATING: Ni



- REMARKS:
- ⚠ CONTACT AREA: MIN. 0.8 µm Au OVER 1.27 µm Ni. SOLDER AREA: 3-5 µm Sn OVER MIN. 1.27 µm Ni
 - 2 PACKAGING SEE SHEET 2
 - 3 CONNECTOR SUITABLE FOR LEAD-FREE SMT SOLDER PROCESS
 - ⚠ TIN OVER NICKEL

- BEMERKUNGEN:
- ⚠ KONTAKTBEREICH: MIN. 0.8 µm Au UEBER 1.27 µm Ni. LOETBEREICH: 3-5 µm Sn UEBER MIN. 1.27 µm Ni
 - 2 VERPACKUNGSART SIEHE BLATT 2
 - 3 STECKER GEEIGNET FUER BLEIFREIES SMT LOETEN
 - ⚠ ZINN UEBER NICKEL

POS.	QTY.	DESCRIPTION BENENNUNG	SURFACE OBERFLAECHE COLOUR/FARBE	MATERIAL
6	2	THREAD STUD GEWINDEBOLZEN	NICKEL	STEEL STAHL
5	5	REC. CONTACT, SMD, LONG BUCHSENKONTAKT, SMD, LANG	⚠	CuMg
4	4	REC. CONTACT, SMD, SHORT BUCHSENKONTAKT, SMD, KURZ	⚠	CuMg
3	2	BRACKET, SMD, LEFT/RIGHT W INKELSTÜCK, SMD, LINKS/RECHTS	⚠	CAST METAL DRUCKGUSS
2	1	REC. HOUSING BUCHSENGEHÄUSE	BLACK SCHWARZ	PCT-GF
1	1	SHELL SCHIRMBLECH	SEE TABLE SIEHE TABELLE	STEEL STAHL

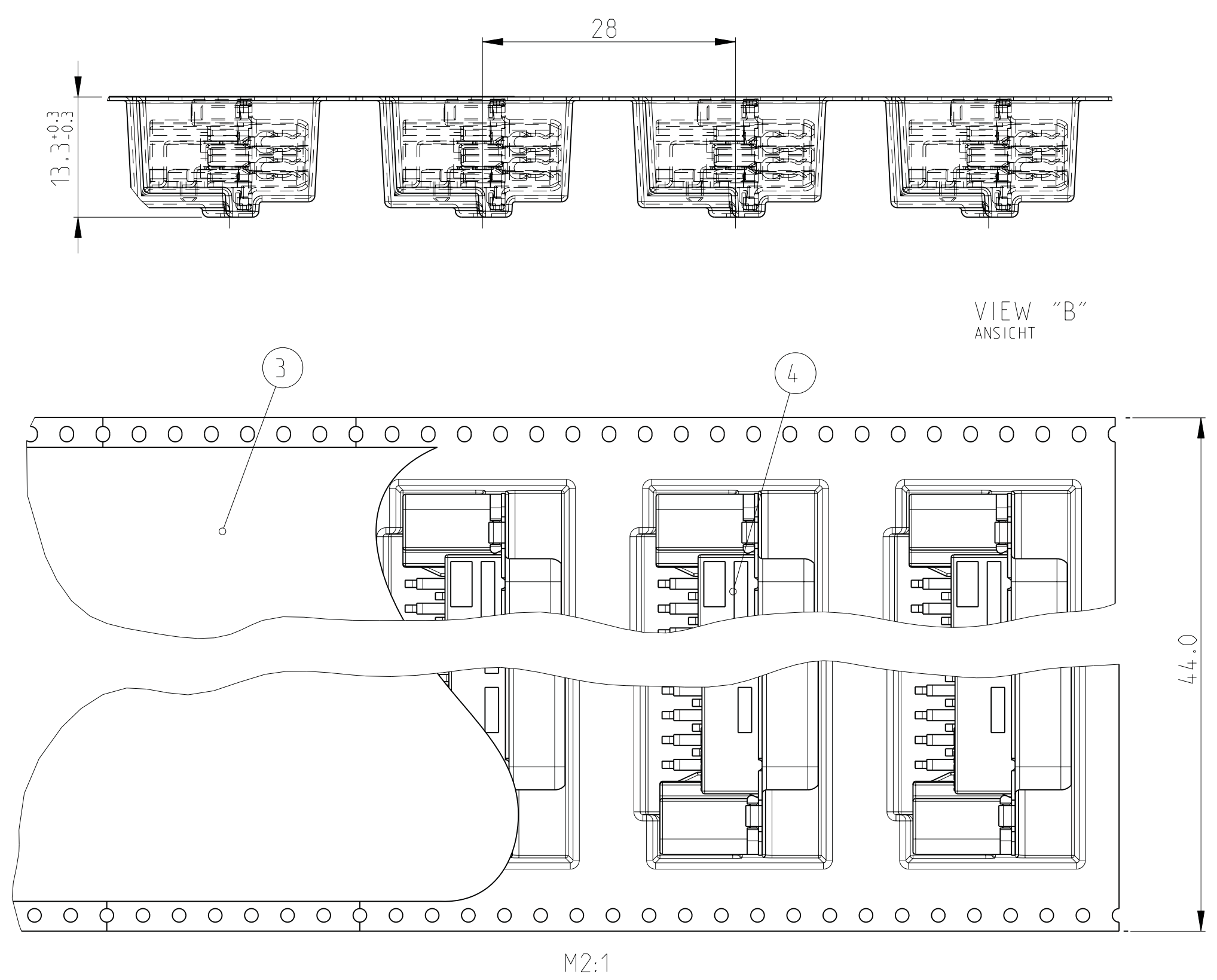
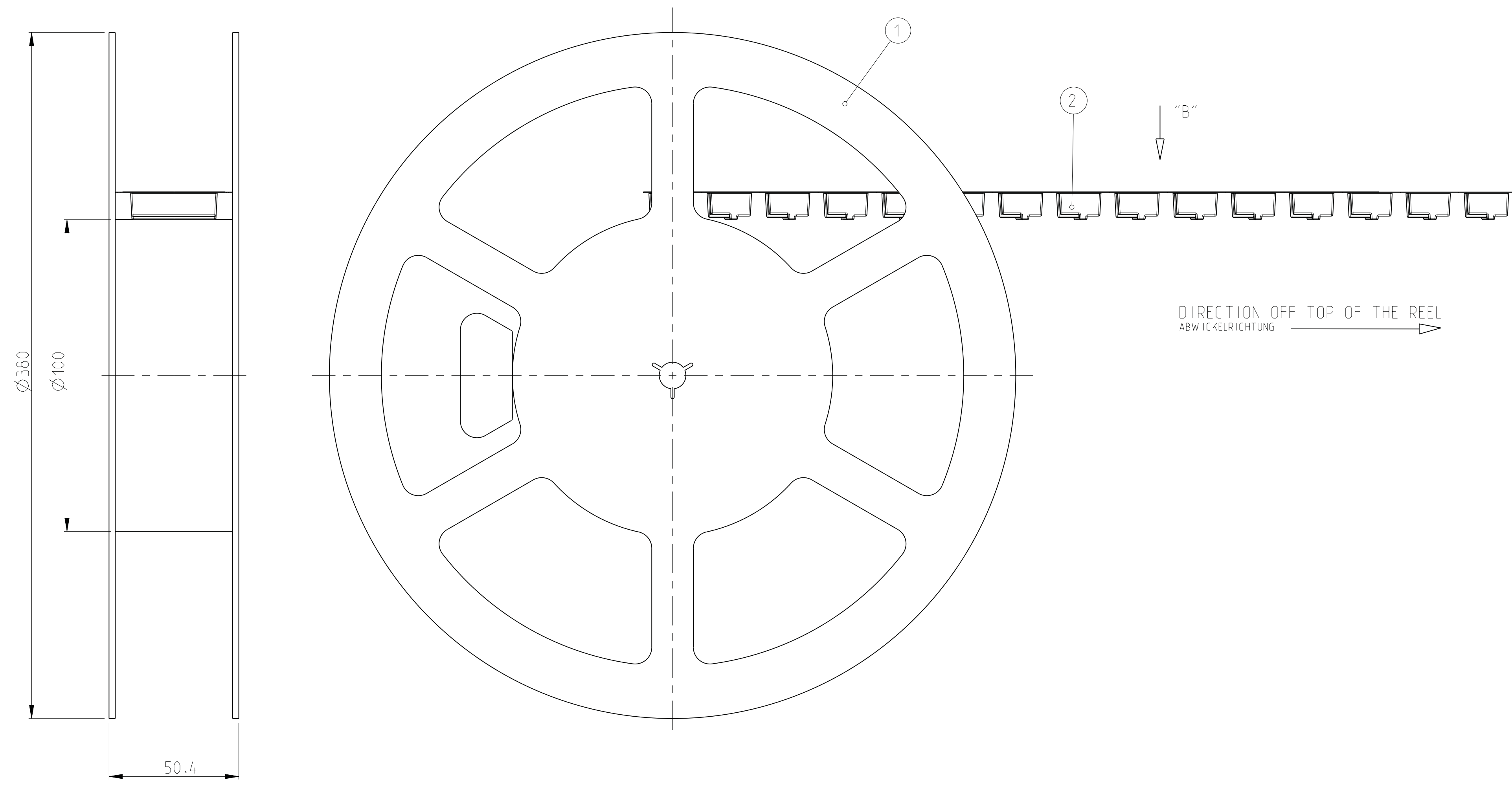
THIS DRAWING IS A CONTROLLED DOCUMENT. DWN: LSCHLUETER 30NOV2004
 CHN: M.SCHAARSCHMIDT 01DEC2004
 NAME: HDP20 REC. HEADER, SMT, 9POS. HDP20 BUCHSENSTECKER, SMT, 9POL. EUROSTYLE

PRODUCT SPEC: 108-94.000
 APPLICATION SPEC: VERARBEITUNGSSPEZ.

SIZE: A1 CAGE CODE: 00779 DRAWING NO: 1740194
 SCALE: 5:1 SHEET: 1 OF 2 REV: E

TE Connectivity

LOC	DIST	REVISIONS					
A1	-	P	LTR	DESCRIPTION	DATE	DWN	APVD
		-		SEE SHEET 1	-	-	-



REMARKS:

- COVER TAPE WITH BLISTER BELT WELDED OR PASTED
- BLISTER BELT, COVER AND TAPE ACC. TO DIN/IEC 286 PART 3
- FIRST AND LAST RUNNING OF THE CARRIER TAPE ACC. TO DIN/IEC 286 PART 3
- 7m BLISTERBELT AND 7.1m COVER TAPE, 225 LOOSE PIECE PARTS

BEMERKUNGEN:

- ABDECKBAND MIT BLISTERGURT VERSCHWEISST ODER VERKLEBT
- BLISTERGURT, ABDECKBAND UND REEL NACH DIN/IEC 286 TEIL 3
- VOR- UND NACHLAUF AM BLISTERGURT NACH DIN/IEC 286 TEIL 3
- 7m BLISTERGURT UND 7.1m ABDECKBAND, 225 EINZELTEILE

1740194	POS.	QTY	PARTS						DESCRIPTION	SURFACE COLOUR/FARBE	MATERIAL
			4-1740194-2	3-1740194-2	2-1740194-2	1-1740194-2	0-1740194-2	OBSOLETE			
	4	225	-	-	-	-	-	SUB-D REC. HEADER, 9 POS., STUD M3	-	-	
	4	-	225	-	-	-	-	SUB-D REC. HEADER, 9 POS., STUD UNC4-40	-	-	
	4	-	-	225	-	-	-	SUB-D REC. HEADER, 9 POS., M3	-	-	
	4	-	-	-	225	-	-	SUB-D REC. HEADER, 9 POS., UNC4-40	-	-	
	4	-	-	-	-	225	-	SUB-D REC. HEADER, 9 POS.	-	-	
	3	7.1m	7.1m	7.1m	7.1m	7.1m		COVER BELT FOR BLISTER BELT	TRANSPARENT	PET	
	2	7m	7m	7m	7m	7m		BLISTER BELT	GREY/BLACK	PS	
	1	1	1	1	1	1		REEL-PACKING	GREY	PS	

THIS DRAWING IS A CONTROLLED DOCUMENT.

DIMENSIONS: mm
 TOLERANCES UNLESS OTHERWISE SPECIFIED:
 0 PLC # # # # #
 1 PLC # # # # #
 2 PLC # # # # #
 3 PLC # # # # #
 4 PLC # # # # #
 ANGLES # # # # #

MATERIAL: SEE TABLE S-TABELLE
 FINISH: SEE TABLE S-TABELLE

DWG: L. SCHLUETER 30NOV2004
 CHK: M. SCHAARSCHMIDT 01DEC2004
 APVD: E. FELDMEIER 01DEC2004

NAME: HDP20 REC. HEADER, SMT, 9POS. HDP20 BUCHSENSTECKER, SMT, 9POL. EUROSTYLE
 PRODUCT SPEC: 108-94000
 APPLICATION SPEC:

SIZE: A1
 CAGE CODE: 00779
 DRAWING NO: 1740194
 SCALE: 5:1
 SHEET: 2 OF 2
 REV: E

CUSTOMER DRAWING
 RESTRICTED TO

X-ON Electronics

Largest Supplier of Electrical and Electronic Components

Click to view similar products for [D-Sub Standard Connectors](#) category:

Click to view products by [TE Connectivity](#) manufacturer:

Other Similar products are found below :

[DCM37S732N](#) [DAM15P500](#) [DEV09S364GTLF](#) [DEM09P032N](#) [DDM50P732N](#) [DAM15S332N](#) [173109-2218](#) [173109-2466](#) [173109-2469](#)
[173109-2435](#) [56F706-005-LI](#) [56F711-015](#) [015-0341-000](#) [017041-0005](#) [012-9507-114](#) [012-9534-001](#) [609-25P](#) [M24308/2-23Z](#) [M243082310F](#)
[M24308/2-36Z](#) [M243082411F](#) [M24308315F](#) [M24308/4-21](#) [M243084437F](#) [CT0M22-23SS](#) [CT1N36-5SC](#) [CT2-16S-17PS](#) [CT2-20-15PCAU](#)
[CT2-24-12PS](#) [CT2-24-28PSF127A206](#) [CT6F9767-14-4-14S-5PC](#) [CT7-18-10SC](#) [CT7-18-10SCAU](#) [CT7-18-12SCAU](#) [CT7-18-1PC](#) [CT7-18-](#)
[1PCAU](#) [CT7-18-1SC](#) [CT7-18-21SCAU](#) [CT9-16-12PS](#) [M83513/01-FC](#) [M83723/76W24619 L/C](#) [M85049/48-3-2F](#) [69001-865](#)
[6STD09PCM99B70X](#) [6STD09SCM99B30X](#) [6STD09SCT99S40X](#) [6STD15PCT99S40X](#) [6STD15SCM99B30X](#) [6STD15SCT99S40X](#)
[6STF09PCM05B70X](#)