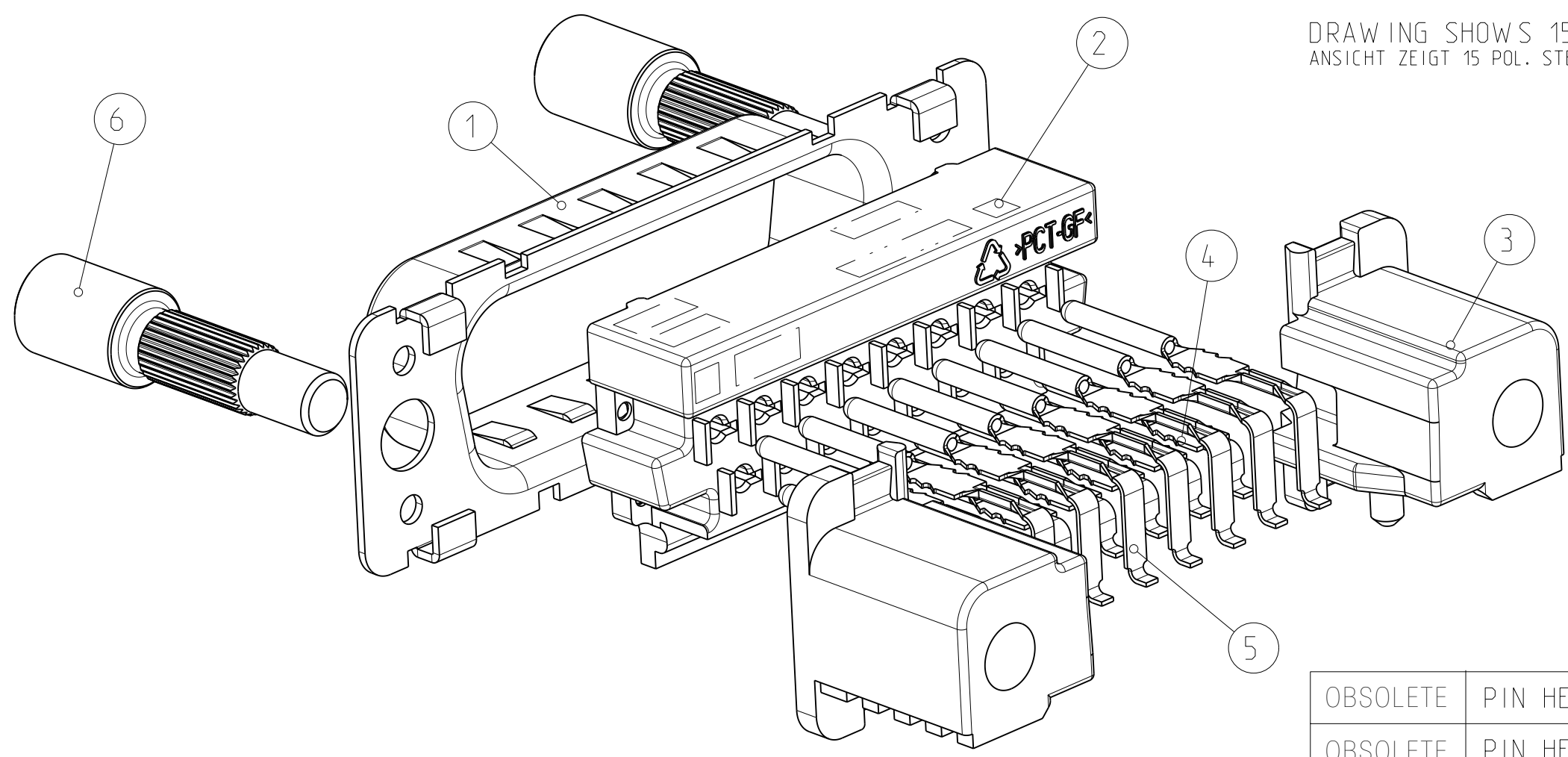
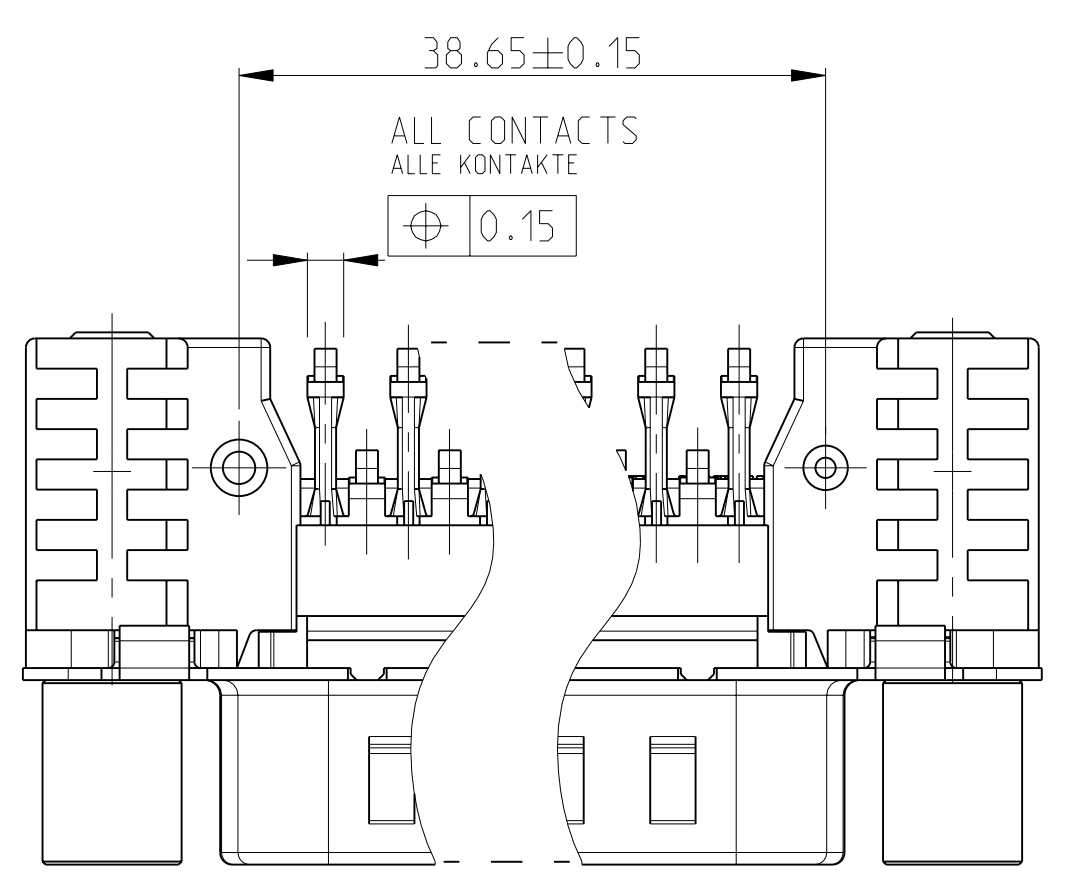
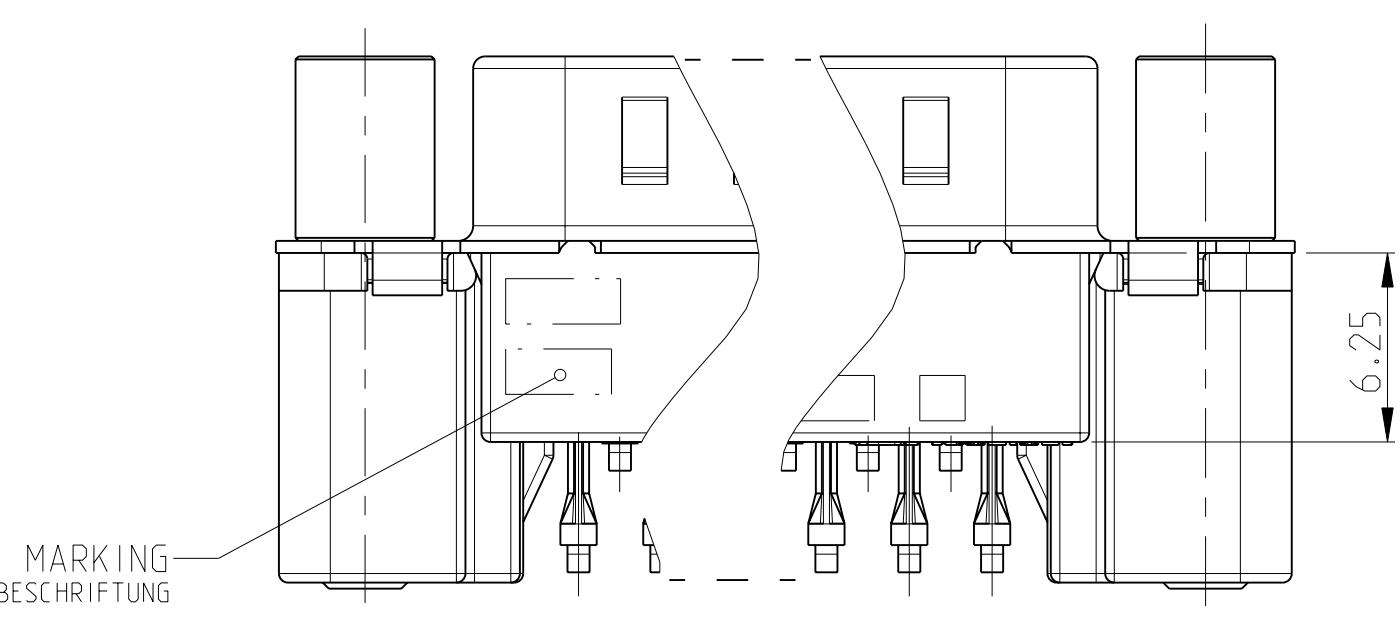
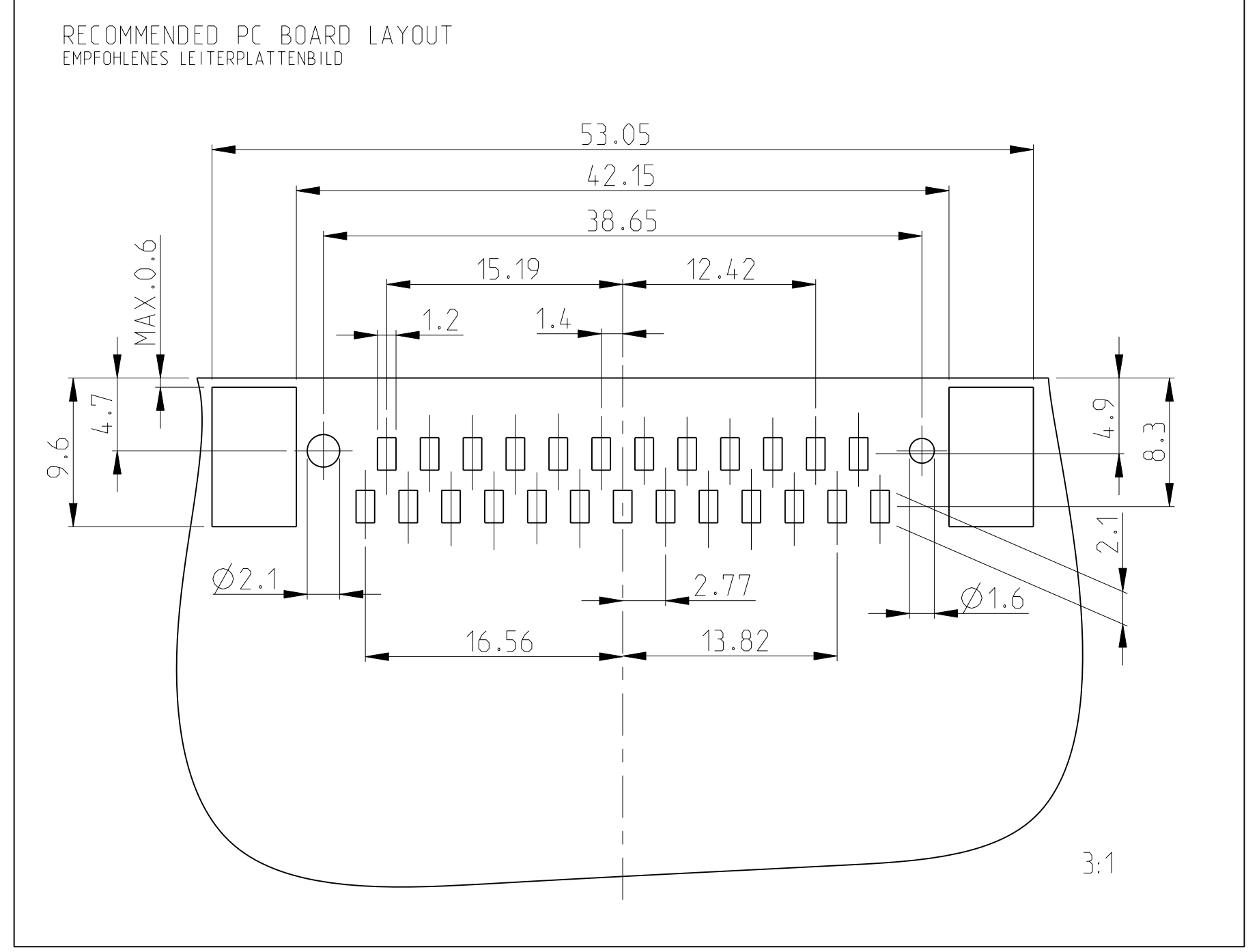
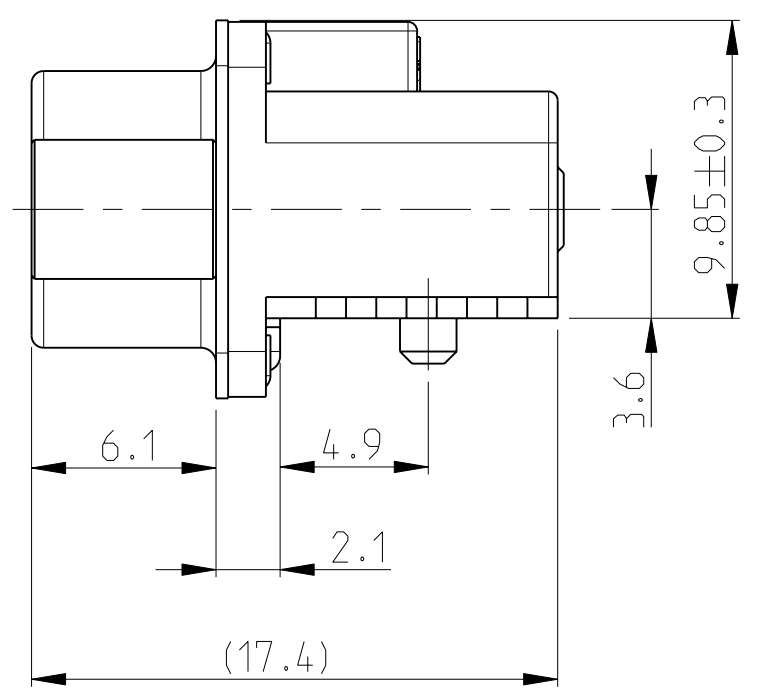
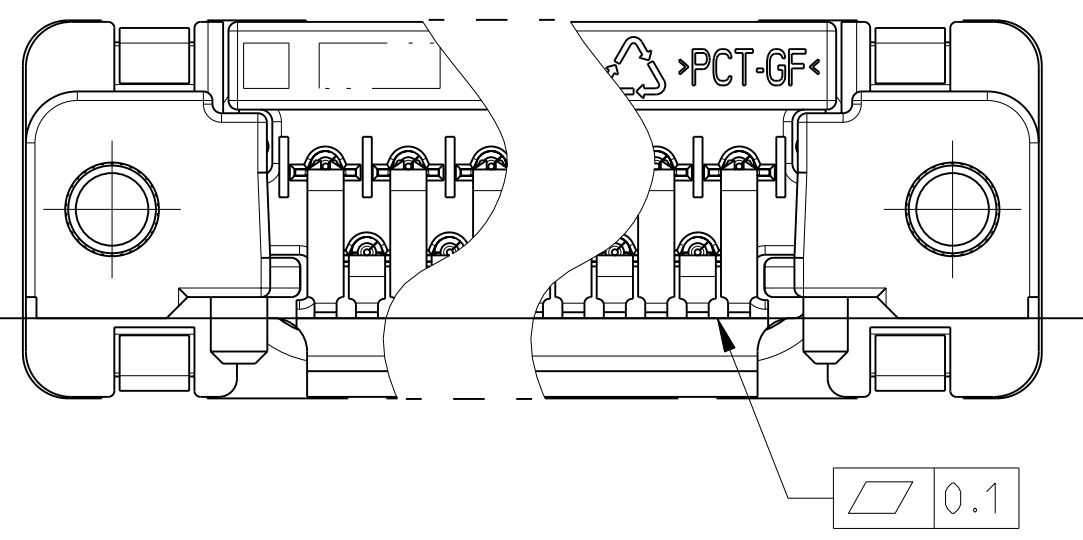


| LOC | DIST | REV | DATE      | BY  | CHK | APPV |
|-----|------|-----|-----------|-----|-----|------|
| A1  | -    | C1  | 06APR2010 | -   | -   | -    |
|     |      | D   | 29SEP10   | RK  | KMA |      |
|     |      | E   | 29FEB2012 | CJW | SLB |      |



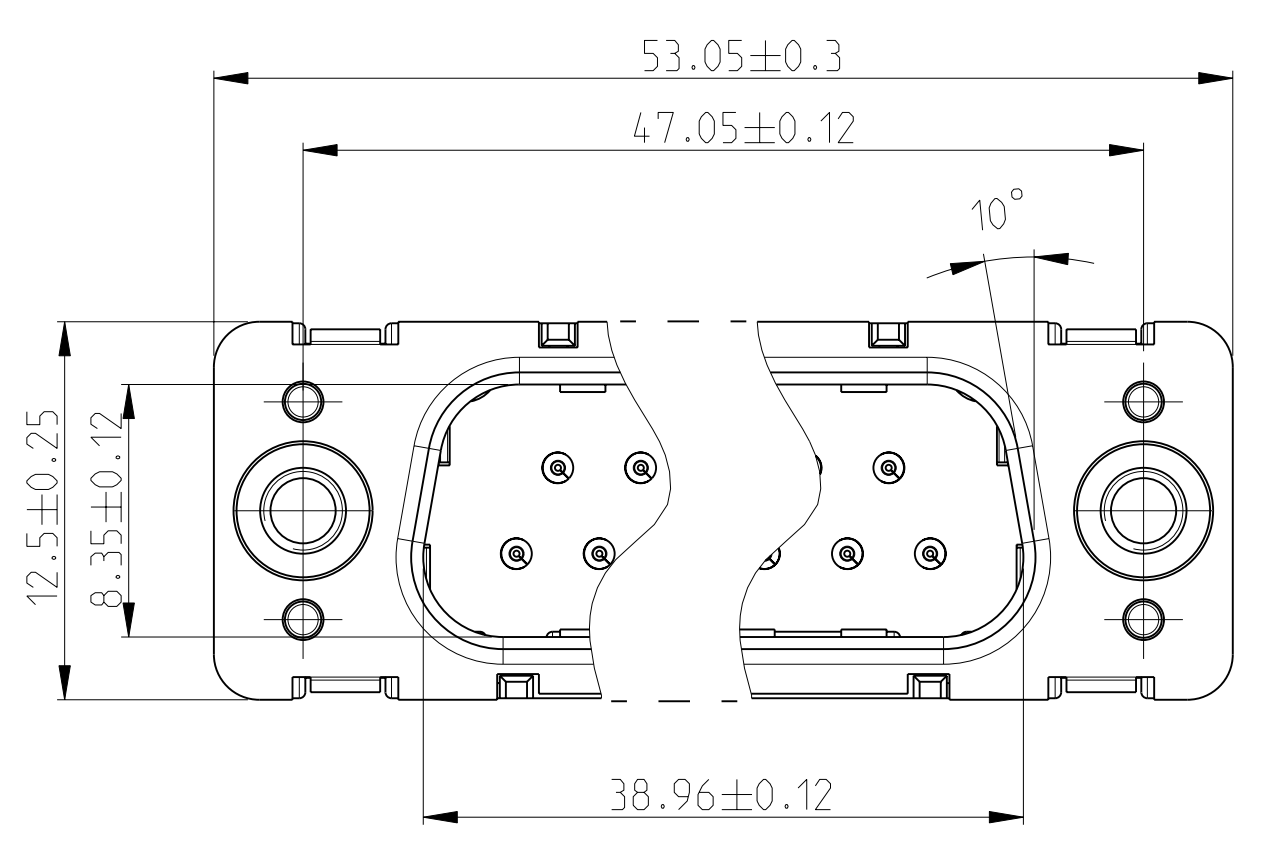
DRAWING SHOWS 15 POS. CONNECTOR  
 ANSICHT ZEIGT 15 POL. STECKER

| DESCRIPTION  | SHELL PLATING: TIN OVER NI | SHELL PLATING: Ni |
|--|----------------------------|-------------------|
| OBSOLETE PIN HEADER, 25 POS., STUD WITH THREAD M3    | 4-1740199-2                | 4-1740199-5       |
| OBSOLETE PIN HEADER, 25 POS., BRACKET WITH THREAD M3 | 2-1740199-2                | 2-1740199-5       |
| PIN HEADER, 25 POS., STUD WITH THREAD UNC 4-40       | 3-1740199-2                | 3-1740199-5       |
| PIN HEADER, 25 POS., BRACKET WITH THREAD UNC 4-40    | 1-1740199-2                | 1-1740199-5       |
| OBSOLETE PIN HEADER, 25 POS., BRACKET WITH HOLE Ø3.1 | 0-1740199-2                | 0-1740199-5       |



REMARKS:  
 1 CONTACT AREA: min. 0.8µm Au OVER 1.27 µm Ni. SOLDER AREA: 3-5 µm Sn OVER min. 1.27 µm Ni  
 2 PACKAGING SEE SHEET 2  
 3 CONNECTOR SUITABLE TO LEAD-FREE SMT SOLDER PROCESS  
 4 TIN OVER NICKEL

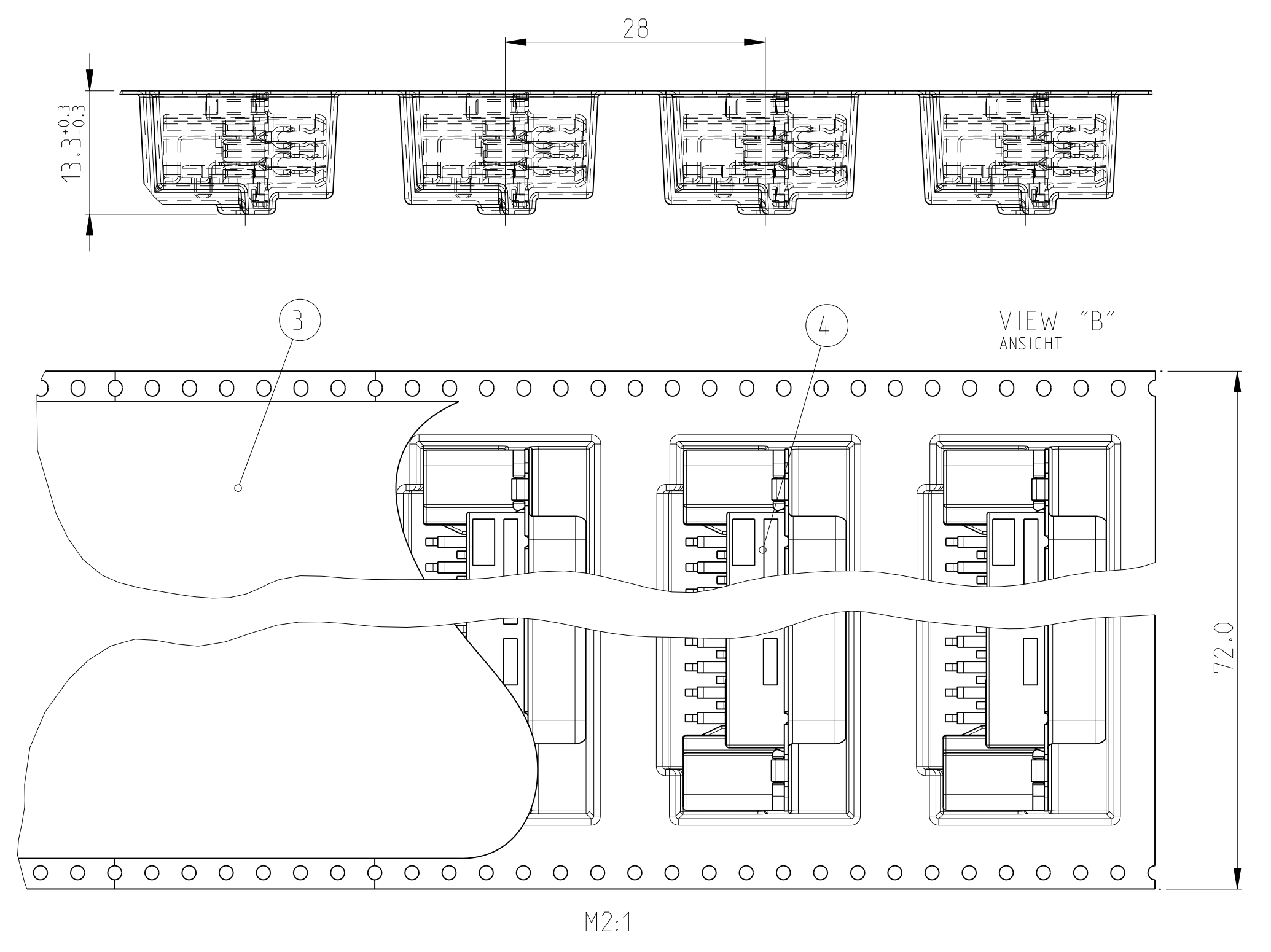
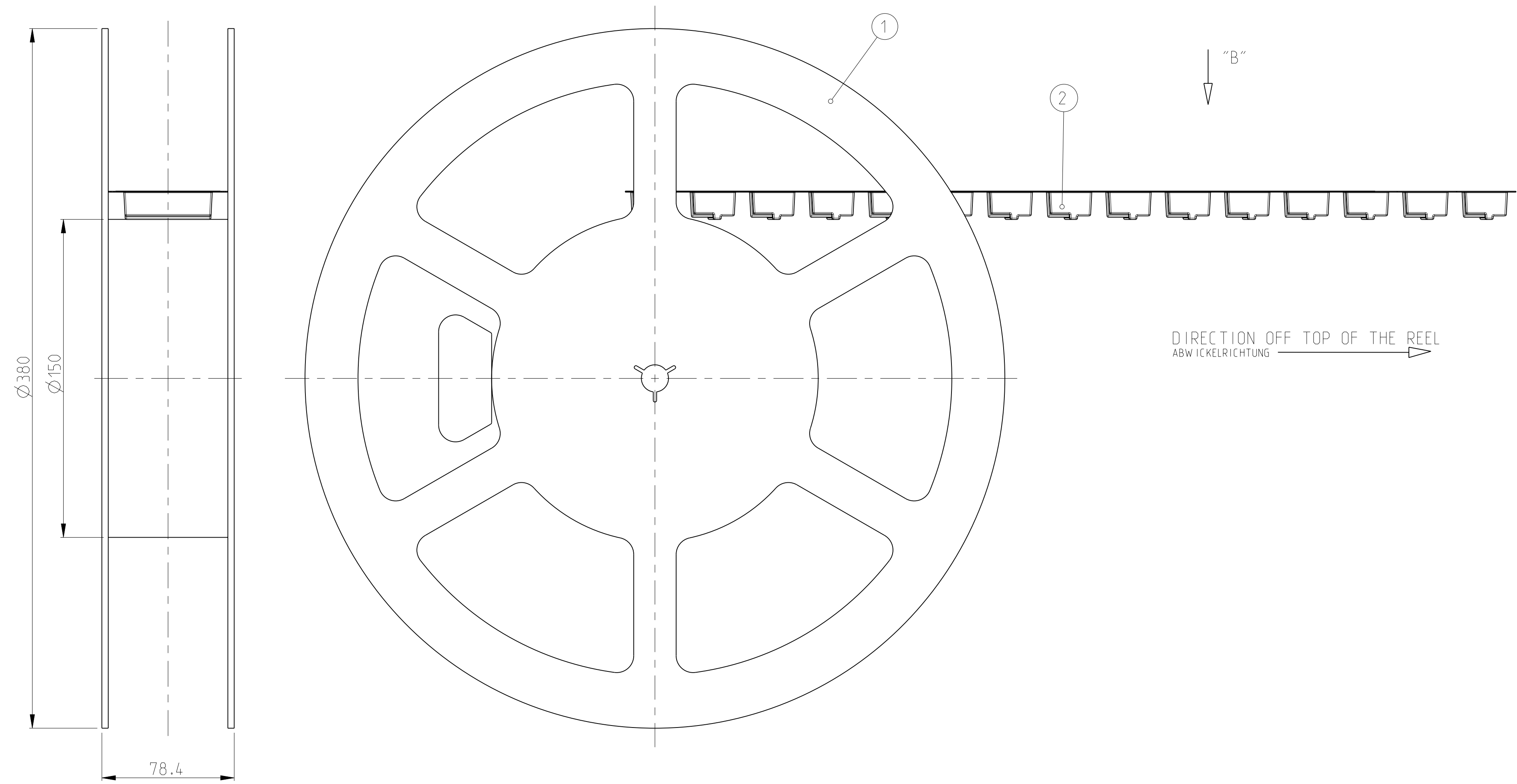
BEMERKUNGEN:  
 1 KONTAKTBEREICH: min. 0.8µm Au UEBER 1.27 µm Ni. LOETBEREICH: 3-5 µm Sn UEBER min. 1.27 µm Ni  
 2 VERPACKUNGSART SIEHE BLATT 2  
 3 STECKER GEEIGNET FUER BLEIFREIES LOETEN  
 4 ZINN UEBER NICKEL



| POS. | QTY. | DESCRIPTION<br>BENENNUNG                                     | SURFACE<br>OBERFLAECHE<br>COLOUR/FARBE | MATERIAL                |
|------|------|--|--|-------------------------|
| 6    | 2    | THREAD STUD<br>GEWINDEBOLZEN                                 | NICKEL<br>NICKEL                       | STEEL<br>STAHL          |
| 5    | 13   | PIN CONTACT, SMD, LONG<br>STIFTKONTAKT, SMD, LANG            | ⚠                                      | CuMg                    |
| 4    | 12   | PIN CONTACT, SMD, SHORT<br>STIFTKONTAKT, SMD, KURZ           | ⚠                                      | CuMg                    |
| 3    | 2    | BRACKET, SMD, LEFT/RIGHT<br>W INKELSTUECK, SMD, LINKS/RECHTS | ⚠                                      | CAST METAL<br>DRUCKGUSS |
| 2    | 1    | PIN HOUSING<br>STIFTGEHAUE                                   | BLACK<br>SCHWARZ                       | PCT-GF                  |
| 1    | 1    | SHELL<br>SCHIRMBLECH   | SEE TABLE<br>SIEHE TABELLE             | STEEL<br>STAHL          |

|  |   |  |
|--|---|--|
| DIMENSIONS<br>MASSENMEN: (mm)<br>TOLERANCES, UNLESS OTHERWISE SPECIFIED: ALL GENERAL TOLERANCES<br>0 PLC ±<br>1 PLC ±<br>2 PLC ±<br>3 PLC ±<br>4 PLC ±<br>ANGLE SURFACES<br>FINISH/SURFLAECHE/FARBE<br>SEE TABLE S.TABELLE | DWN: 30NOV2004<br>L. SCHLUETER<br>CHK: M. SCHAARSCHEIDT<br>APVD: G. ELDMEIER<br>PRODUCT SPEC<br>PRODUCT SPEC: 108-34.000<br>APPLICATION SPEC<br>VERARBEITUNGSPEZ. | Tyco Electronics<br>Tyco Electronics AMP GmbH<br>64225 Bensheim (Germany)  |
| MATERIAL: SEE TABLE S.TABELLE<br>WEIGHT: -<br>CUSTOMER DRAWING   | DRAWING NO: 00779<br>SCALE: 5:1<br>SHEET: 1 OF 2  | HDP20 PIN HEADER, SMT, 25 POS.<br>HDP20 STIFTLAISTE, SMT, 25 POL.<br>EUROSTYLE<br>RESTRICTED TO MR FUER -<br>REV E |

| LOC | DIST | REV | DATE | BY | APPV |
|-----|------|-----|------|----|------|
| A1  | -    | 1   | -    | -  | -    |



REMARKS:

- COVER TAPE WITH BLISTER BELT WELDED OR PASTED
- BLISTER BELT, COVER AND TAPE ACC. TO DIN/IEC 286 PART 3
- FIRST AND LAST RUNNING OF THE CARRIER TAPE ACC. TO DIN/IEC 286 PART 3
- 6.4m BLISTERBELT AND 6.5m COVER TAPE, 200 LOOSE PIECE PARTS

BEMERKUNGEN:

- ABDECKBAND MIT BLISTERGURT VERSCHWEISST ODER VERKLEBT
- BLISTERGURT, ABDECKBAND UND REEL NACH DIN/IEC 286 TEIL 3
- VOR- UND NACHLAUF AM BLISTERGURT NACH DIN/IEC 286 TEIL 3
- 6.4m BLISTERGURT UND 6.5m ABDECKBAND, 200 EINZELTEILE

| 4-1740199-5 | 3-1740199-5 | 2-1740199-5 | 1-1740199-5 | 0-1740199-5 |
|-------------|-------------|-------------|-------------|-------------|
| OBSOLETE    | OBSOLETE    | OBSOLETE    | OBSOLETE    | OBSOLETE    |

| TE ORDER NO. BESTELL-NR. | POS. | QTY  | UNIT | DESCRIPTION                                 | SURFACE OBERFLAECHE COLOUR/FARBE | MATERIAL                    |             |     |
|--------------------------|------|------|------|---|----------------------------------|-----------------------------|-------------|-----|
| 1740199                  | 4    | 200  | -    | SUB-D PIN HEADER, 25 POS., STUD M3          | -                                | -                           |             |     |
|                          | 4    | -    | 200  | SUB-D STIFTSTECKER, 25 POL., BOLZEN M3      | -                                | -                           |             |     |
|                          | 4    | -    | 200  | SUB-D PIN HEADER, 25 POS., STUD UNC4-40     | -                                | -                           |             |     |
|                          | 4    | -    | -    | SUB-D STIFTSTECKER, 25 POL., BOLZEN UNC4-40 | -                                | -                           |             |     |
|                          | 4    | -    | -    | SUB-D PIN HEADER, 25 POS., M3               | -                                | -                           |             |     |
|                          | 4    | -    | -    | SUB-D STIFTSTECKER, 25 POL., M3             | -                                | -                           |             |     |
|                          | 4    | -    | -    | SUB-D PIN HEADER, 25 POS., UNC4-40          | -                                | -                           |             |     |
| 3                        | 6.5m | 6.5m | 6.5m | 6.5m  | 6.5m                             | COVER BELT FOR BLISTER BELT | TRANSPARENT | PET |
| 2                        | 6.4m | 6.4m | 6.4m | 6.4m  | 6.4m                             | BLISTER BELT                | GREY/BLACK  | PS  |
| 1                        | 1    | 1    | 1    | 1   | 1                                | REEL                        | GREY        | PS  |

|                               |   |                             |   |   |
|-------------------------------|---|-----------------------------|---|---|
| DIMENSIONS: mm<br>            | TOLERANCES UNLESS OTHERWISE SPECIFIED:<br>0 PLC ±<br>1 PLC ±<br>2 PLC ±<br>3 PLC ±<br>4 PLC ±<br>ANGLES ° | FINISH: SEE TABLE S-TABELLE | DWN: 30NOV2004<br>CHK: M.SCHAARSCHMIDT<br>APVD: G.FELDMEIER<br>PRODUCT SPEC: 108-94000<br>APPLICATION SPEC: | Tyco Electronics AMP GmbH<br>64625 Bensheim (Germany) |
| MATERIAL: SEE TABLE S-TABELLE |   |                             | NAME: HDP20 PIN HEADER, SMT, 25 POS. HDP20 STIFTLAISTE, SMT, 25 POL. EUROSTYLE                              | RESTRICTED TO:  |
| CUSTOMER DRAW ING             |   |                             | SIZE: 00779 C=1740199<br>SCALE: 5:1 SHEET 2 OF 2 REV E  | DATE: 01DEC2004                                       |

## X-ON Electronics

Largest Supplier of Electrical and Electronic Components

*Click to view similar products for [D-Sub Standard Connectors](#) category:*

*Click to view products by [TE Connectivity](#) manufacturer:*

Other Similar products are found below :

[56F711-015](#) [012-9507-004](#) [LV242999-142T12](#) [015-0341-000](#) [015-0372-005](#) [015-0372-008](#) [015-8755-001](#) [020419-0104](#) [012-0467-000](#) [012-0515-000](#) [012-9507-034](#) [012-9507-114](#) [020745-0008](#) [609-25P](#) [M24308/2-23Z](#) [CT2-14S-2PCA34](#) [CT2-18-11PCAU](#) [CT6-10SL-3SC](#) [CT6-10SL-4SC](#) [CT6-14S-2SC](#) [CT6E14SA7SC](#) [M83513/01-FC](#) [M83723/76W24619 L/C](#) [M85049/48-3-2F](#) [6STD09PCM99B70X](#) [6STD09SCM99B30X](#) [6STD09SCT99S40X](#) [6STD15PCT99S40X](#) [6STD15SCM99B30X](#) [6STD15SCT99S40X](#) [6STF09PCM05B70X](#) [7-135760-9](#) [MC11E-10-6SN](#) [747552-3](#) [MD1-21PS](#) [MDM-15SCBRM7-F222](#) [MDM96517-699](#) [MDM96521-744](#) [MDVB1-21SL1](#) [MIK0-1-7SH003](#) [MIKQ6-7SH076](#) [MIKQ7-7PH077](#) [MIKQ7-7PH11](#) [MIKQ7-7PH32](#) [MJSV-28SL61](#) [MKJ4A1F14-55S](#) [8-135760-3](#) [8STD09PCM99B30X](#) [PG-KV/PV-16-GROM-SEALING](#) [GDA15P](#)