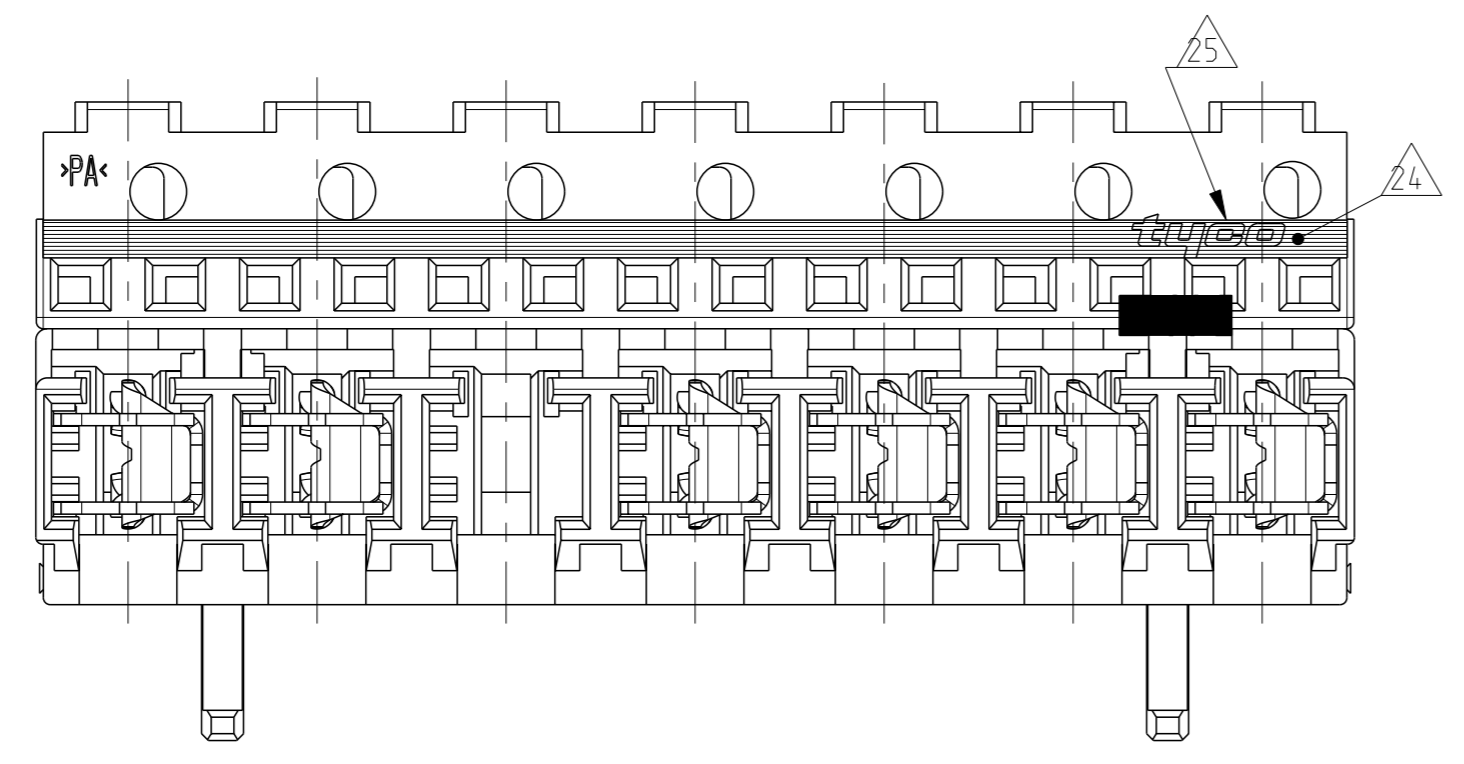
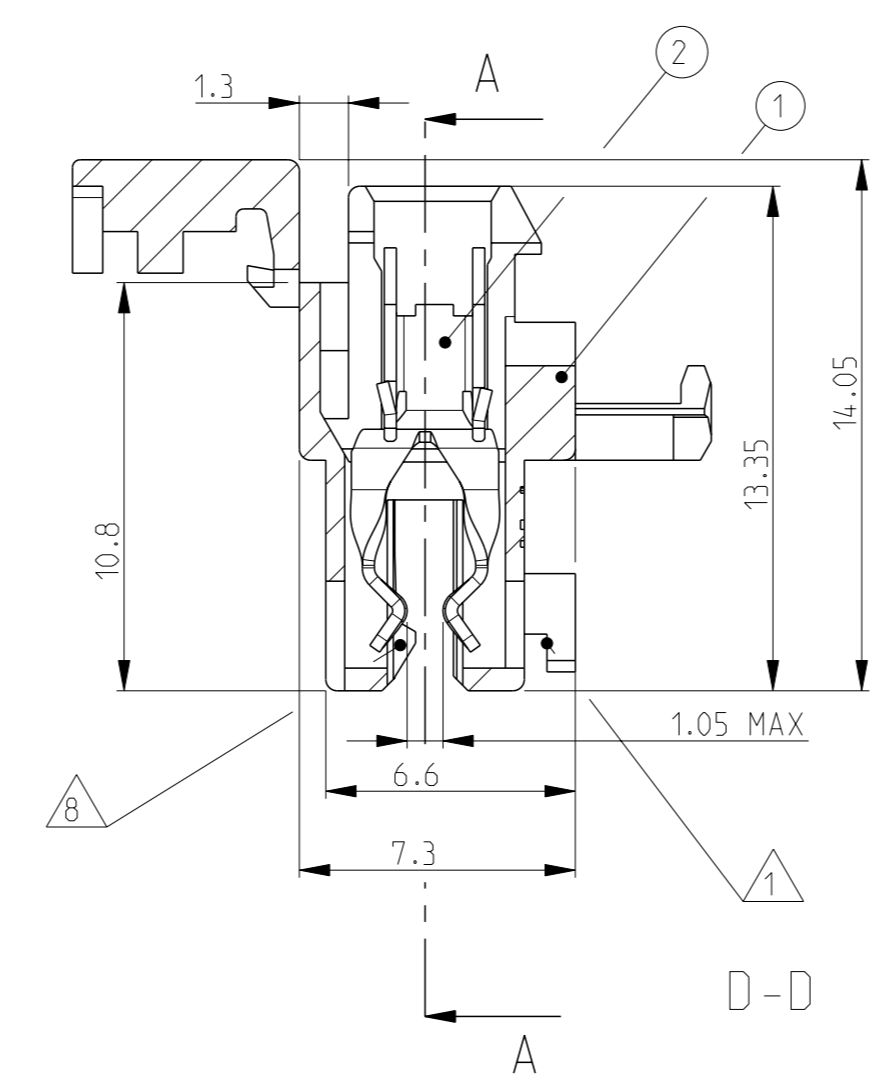
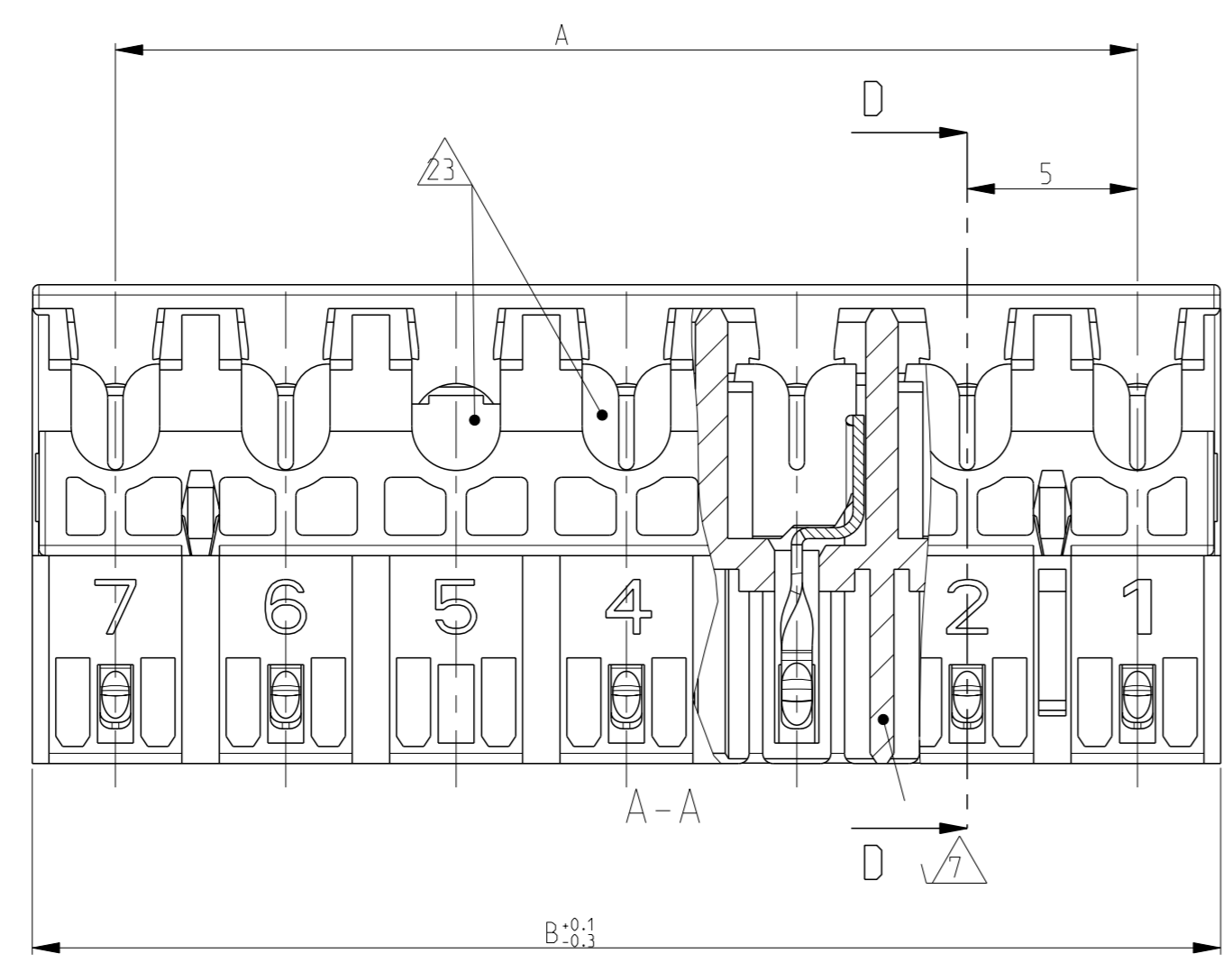
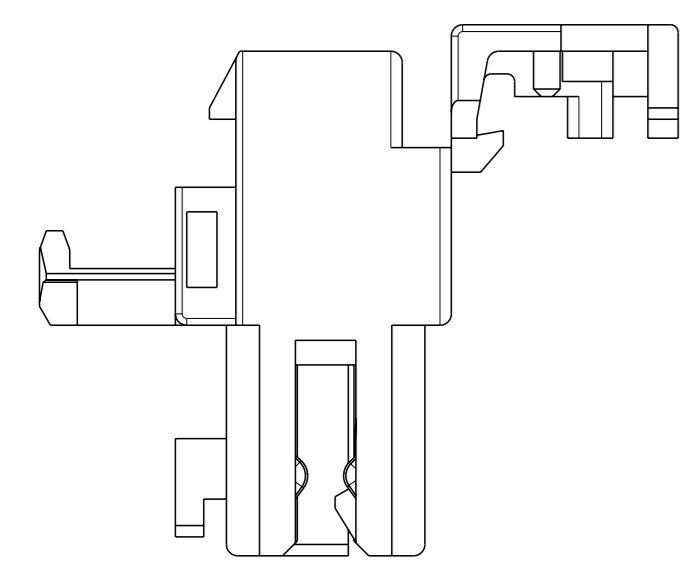
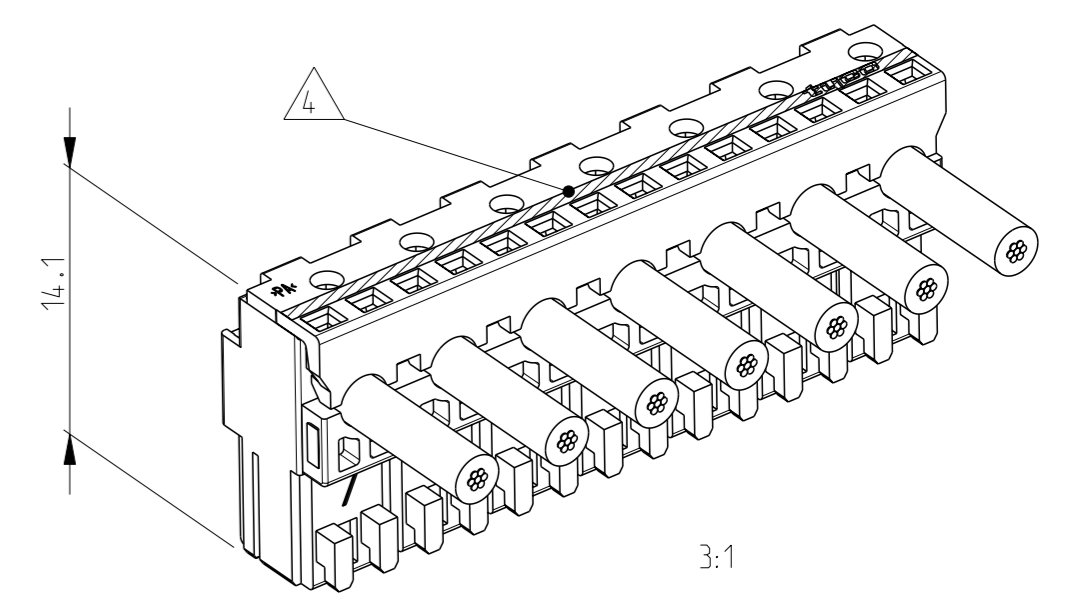


LOC	DIST	REVISIONS			
A1	-	REV	DATE	OWN	APVD
		B24	ECR-20-100619	05NOV2020	W W FL



- 27 SLOT FOR SIDE KEYING NARROW ON LAST CAVITY
- 26 PRELIMINARY PART NOT RELEASED FOR PRODUCTION
- 25 TE LOGO
- 24 COLOUR MARKING IN THIS AREA. COLOUR SEE TABLE.
Farbmarkierung in diesem Bereich. Farbe siehe Tabelle.
- 23 X...CAVITY LOADED WITH CONTACT
O...CAVITY WITHOUT CONTACT
X...Kammer mit Kontakt bestückt
O...Kammer ohne Kontakt
- 22 INCLUSIVE COPPER CLADDING. SINGLE OR DOUBLE SIDED
Inklusive Kupferkaschierung, ein oder doppelseitig
- 21 PCB PREFERABLY CHAMFERED
Leiterplatte vorzugsweise angefast
- 20 SLOT FOR ADDITIONAL KEYING RIB BETWEEN CAVITY NO.
Schlitz fuer zusätzliche Kodierrippe zwischen Kammer Nr.
- 19 SLOT FOR SIDE KEYING NARROW AND REDUCED. ON CAVITY NO.1
Schlitz fuer Seitenkodierung, eng und reduziert, bei Kammer Nr. 1
- 18 SLOT FOR SIDE KEYING. ON LAST CAVITY
Schlitz fuer Seitenkodierung, bei letzter Kammer
- 17 SLOT FOR SIDE KEYING. ON CAVITY NO. 1
Schlitz fuer Seitenkodierung, bei Kammer Nr. 1
- 16 IEC 60695-2-11 / IEC 60335-1 GLOW WIRE TEST 750 °C WITHOUT FLAME
IEC 60695-2-11 / IEC 60335-1 Gluehdrahttest 750 °C ohne Flamme
- 15 -
- 14 SIDE KEYING, SMALL AND HALF, ON LAST CAVITY
Seitenkodierung, schmal und halb, bei letzter Kammer
- 13 SIDE KEYING, SMALL AND HALF, ON CAVITY NO. 1
Seitenkodierung, schmal und halb, bei Kammer Nr. 1
- 12 -
- 11 -
- 10 SIDE KEYING, SMALL, ON LAST CAVITY
- 9 -
- 8 LOCKING HOOK BETWEEN CAVITY NO. ...
Rasthaken zwischen Kammernummer ...
- 7 ADDITIONAL KEYING RIB BETWEEN CAVITY NO.
Zusätzliche Kodierrippe zwischen Kammer Nr.
- 6 SIDE KEYING, ON LAST CAVITY
Seitenkodierung, bei letzter Kammer
- 5 SIDE KEYING, ON CAVITY NO. 1
Seitenkodierung, bei Kammer Nr. 1
- 4 COLOUR MARKING ON TOP OF HOUSING OPTIONAL ON TERMINATION MACHINE
Farbmarkierung auf Gehäuseoberseite optional an Verarbeitungsmaschine
- 3 MATING PART: PCB ACCORDING SHEET 2 OF 2
Passender Gegenstecker: Leiterplatten siehe Blatt 2 von 2
- 2 WIRE RANGE: 0.35-0.75 mm² ACCORDING TO APPLICATION SPEC 114-18996
Drahtgroessenbereich: 0.35 - 0.75 mm²; siehe Verarbeitungsspezifikation Nr.114-18996.
- 1 KEYING RIBS: CUTTING WITH TERMINATION MACHINE POSSIBLE
Kodierrippe; Schneiden auf der Verarbeitungsmaschine moeglich

2	SEE TABLE	CONTACT	CuNiSi	TINNED/verzinkt
1	siehe Tabelle	HOUSING	PA6 GF	NATURE/natur
POS.	PN Betell-Nr.	DESCRIPTION Beschreibung	MATERIAL	COLOUR/FINISH Farbe/Oberflaeche

THIS DRAWING IS A CONTROLLED DOCUMENT.

DIMENSIONS: mm	TOLERANCES UNLESS OTHERWISE SPECIFIED: 0 PLC ±0.2 1 PLC ±0.2 2 PLC ±0.2 3 PLC ± 4 PLC ± ANGLES ±0°	OWN H. Atzmann CHK B. Schnaubelt APVD T. Klenner	01NOV2005 01NOV2005 01NOV2005	TE Connectivity NAME AMP DUOPLUG POWER FEMALE CONNECTOR 2-9 POSITION (WITH PCB LOCKING)
MATERIAL SEE TABLE	FINISH SEE TABLE	PRODUCT SPEC 108-18780 APPLICATION SPEC 114-18996	WEIGHT -	

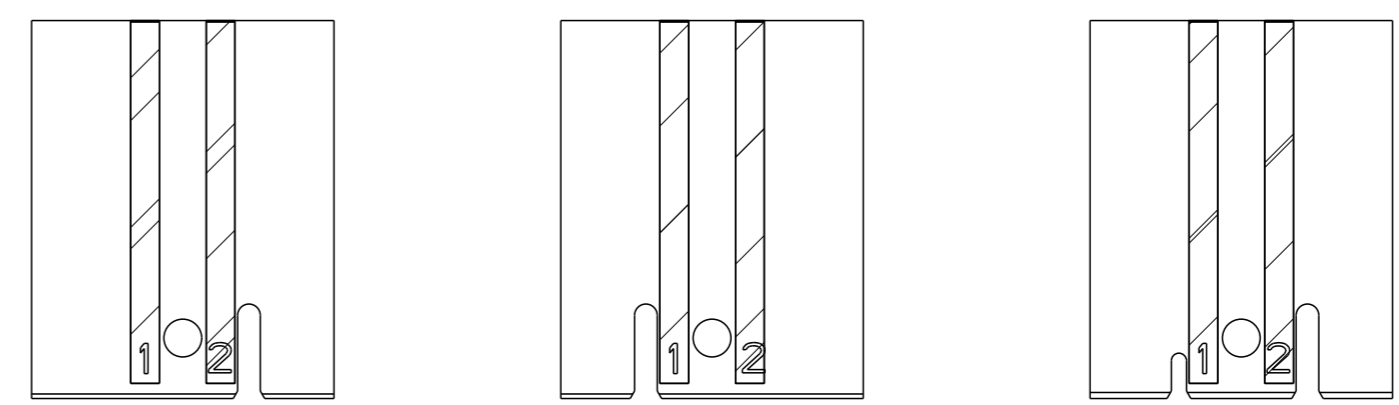
SIZE CAGE CODE DRAWING NO RESTRICTED TO
A1 00779 ©=1740533

CUSTOMER DRAWING SCALE 5:1 SHEET 1 OF 4 REV B24

PCB LAYOUT Leiterplattenanschluss

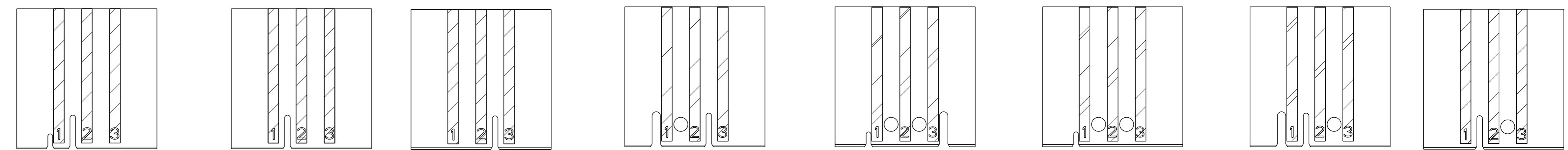
LOC		DIST		REVISIONS			
P	LYR	DESCRIPTION	DATE	OWN	APVD		
-	-	SEE SHEET 1	-	-	-		

2 POSITION
 2 polig



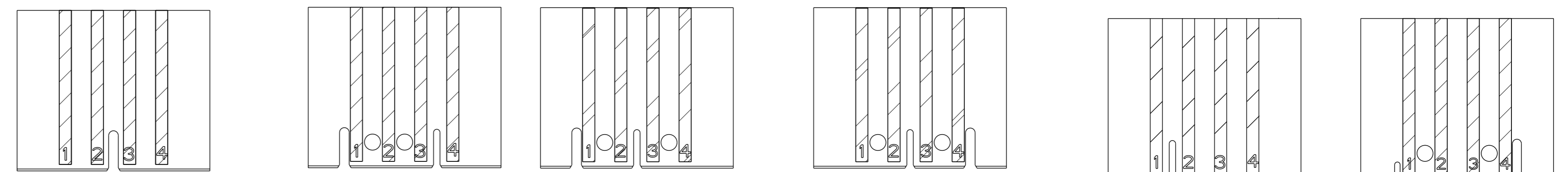
LAYOUT FOR CONNECTOR NO. 0-1740533-2 LAYOUT FOR CONNECTOR NO. 1-1740533-2 LAYOUT FOR CONNECTOR NO. 2-1740533-2

3 POSITION
 3 polig



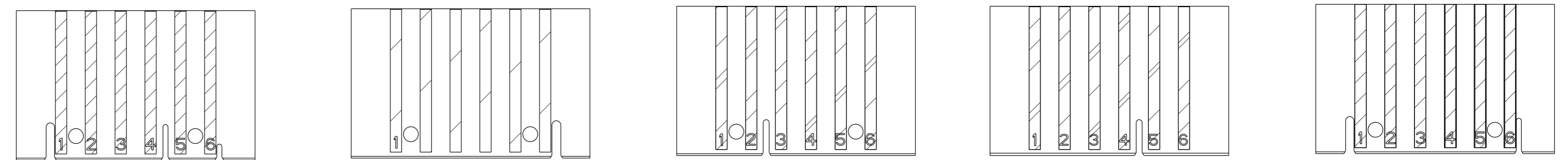
LAYOUT FOR CONNECTOR NO. 9-1740533-3 LAYOUT FOR CONNECTOR NO. 7-1740533-3 LAYOUT FOR CONNECTOR NO. 6-1740533-3 LAYOUT FOR CONNECTOR NO. 0-1740533-3 LAYOUT FOR CONNECTOR NO. 1-1740533-3 LAYOUT FOR CONNECTOR NO. 2-1740533-3 LAYOUT FOR CONNECTOR NO. 3-1740533-3 (WITHOUT PAD 3) LAYOUT FOR CONNECTOR NO. 4-1740533-3 (WITHOUT PAD 1) LAYOUT FOR CONNECTOR NO. 5-1740533-3

4 POSITION
 4 polig



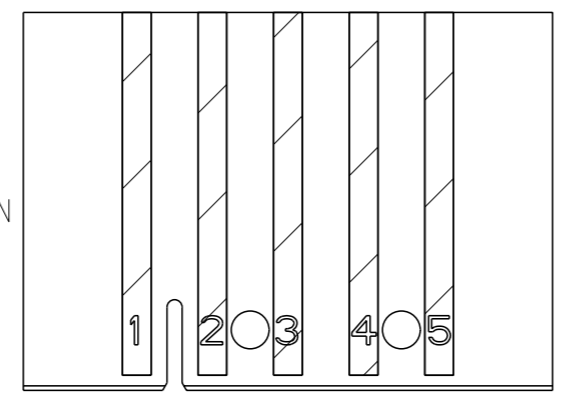
LAYOUT FOR CONNECTOR NO. 5-1740533-4 LAYOUT FOR CONNECTOR NO. 3-1740533-4 LAYOUT FOR CONNECTOR NO. 0-1740533-4 (WITHOUT PAD 2) LAYOUT FOR CONNECTOR NO. 1-1740533-4 LAYOUT FOR CONNECTOR NO. 4-1740533-4 LAYOUT FOR CONNECTOR NO. 6-1740533-4

6 POSITION
 6 polig



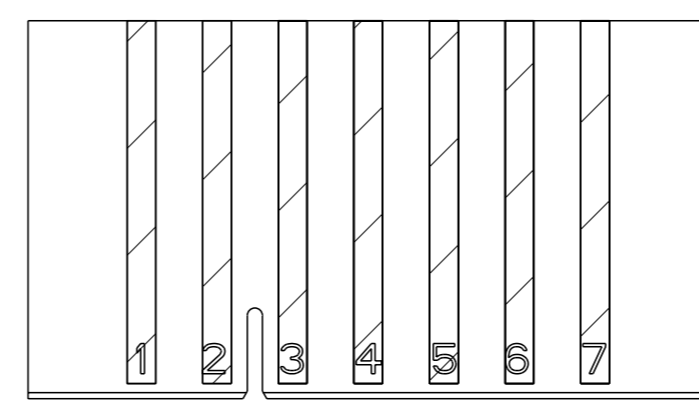
LAYOUT FOR CONNECTOR NO. 7-1740533-6 LAYOUT FOR CONNECTOR NO. 5-1740533-6 LAYOUT FOR CONNECTOR NO. 0-1740533-6 (WITHOUT PAD 2/5/6) LAYOUT FOR CONNECTOR NO. 1-1740533-6 LAYOUT FOR CONNECTOR NO. 2-1740533-6 LAYOUT FOR CONNECTOR NO. 4-1740533-6

5 POSITION
 5 polig

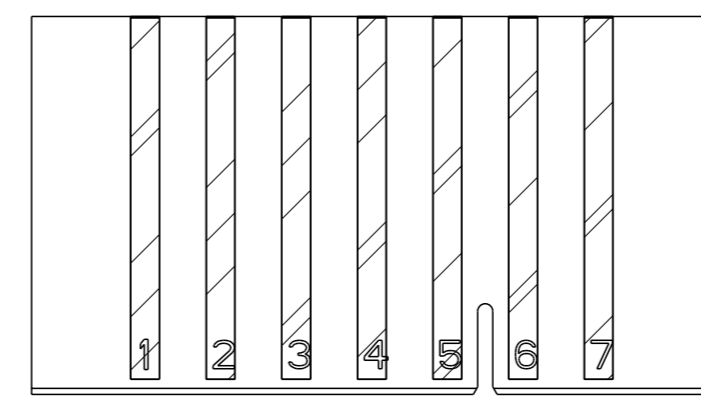


LAYOUT FOR CONNECTOR NO. 0-1740533-5

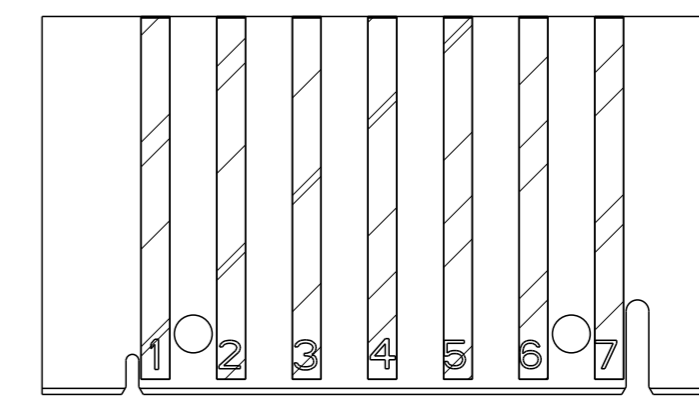
7 POSITION
 7 polig



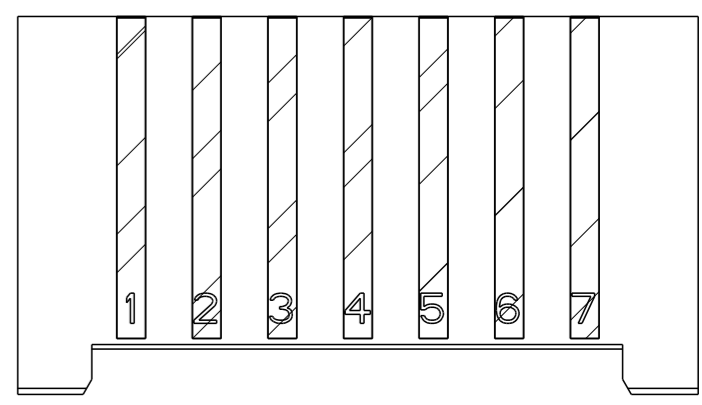
LAYOUT FOR CONNECTOR NO. 4-1740533-7



LAYOUT FOR CONNECTOR NO. 0-1740533-7

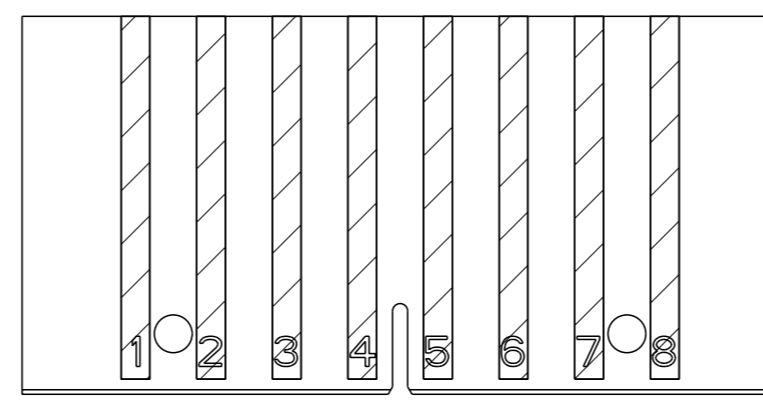


LAYOUT FOR CONNECTOR NO. 1-1740533-7

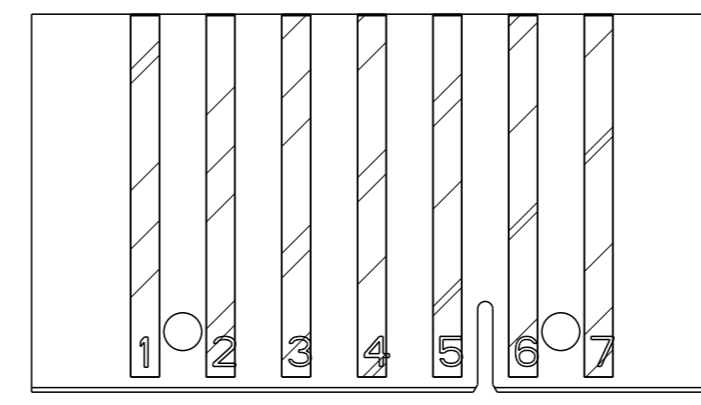


LAYOUT FOR CONNECTOR NO. 2-1740533-7

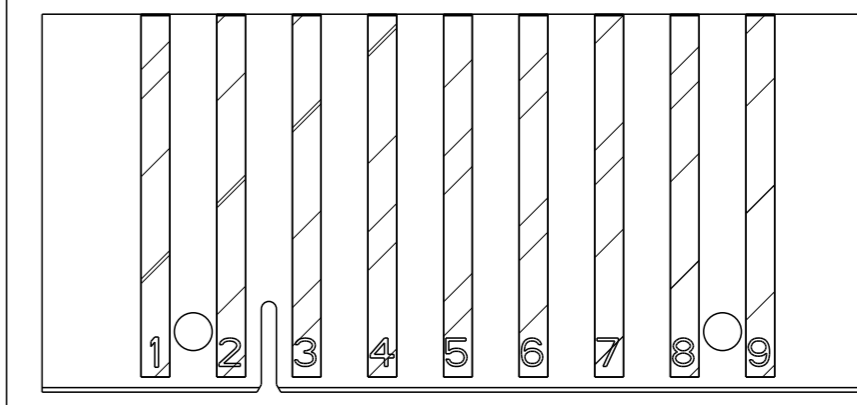
8 POSITION



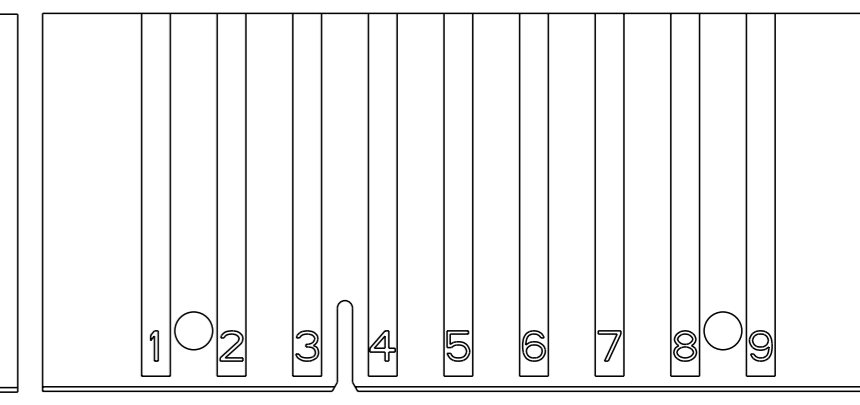
LAYOUT FOR CONNECTOR NO. 0-1740533-8



LAYOUT FOR CONNECTOR NO. 3-1740533-7



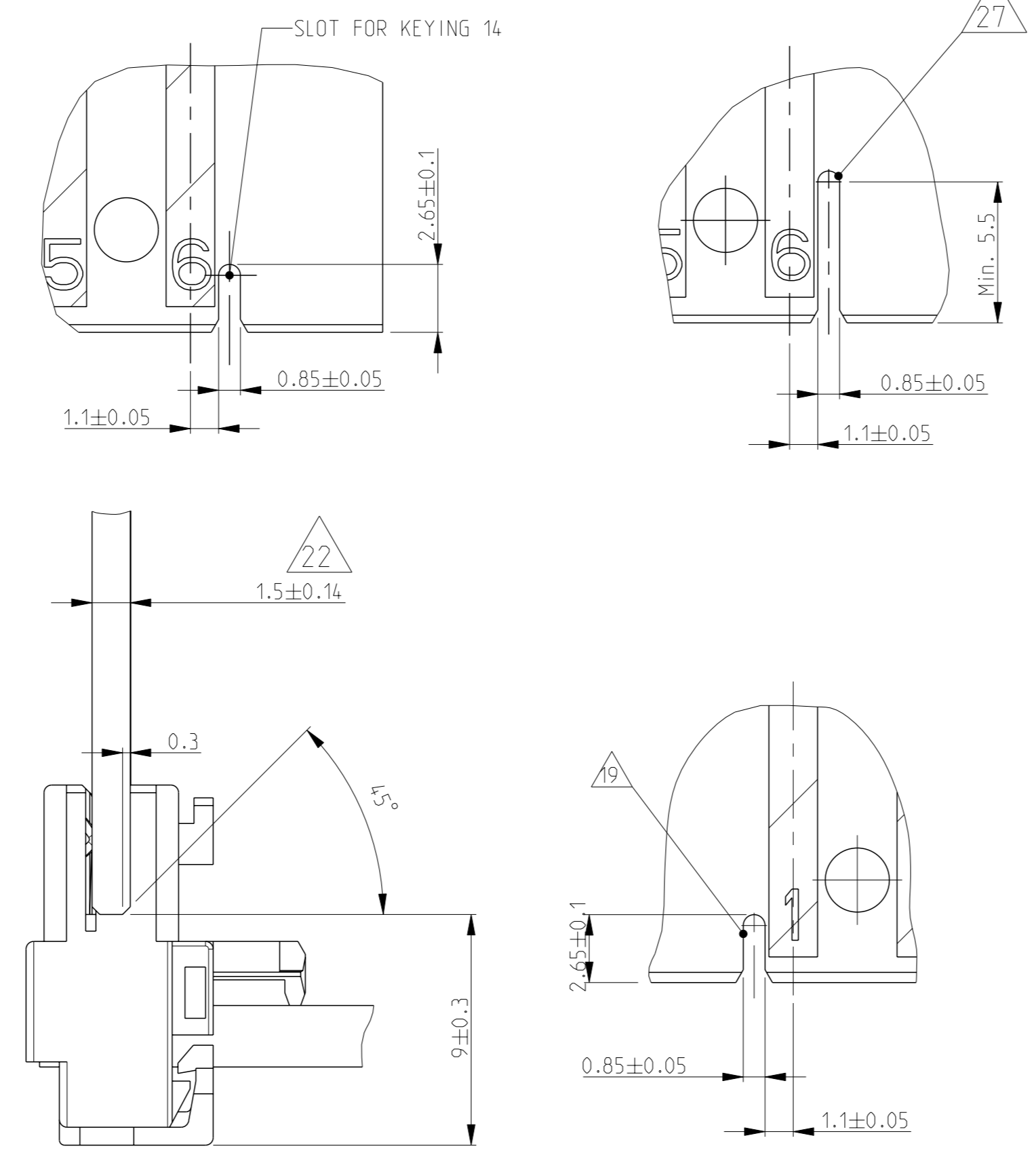
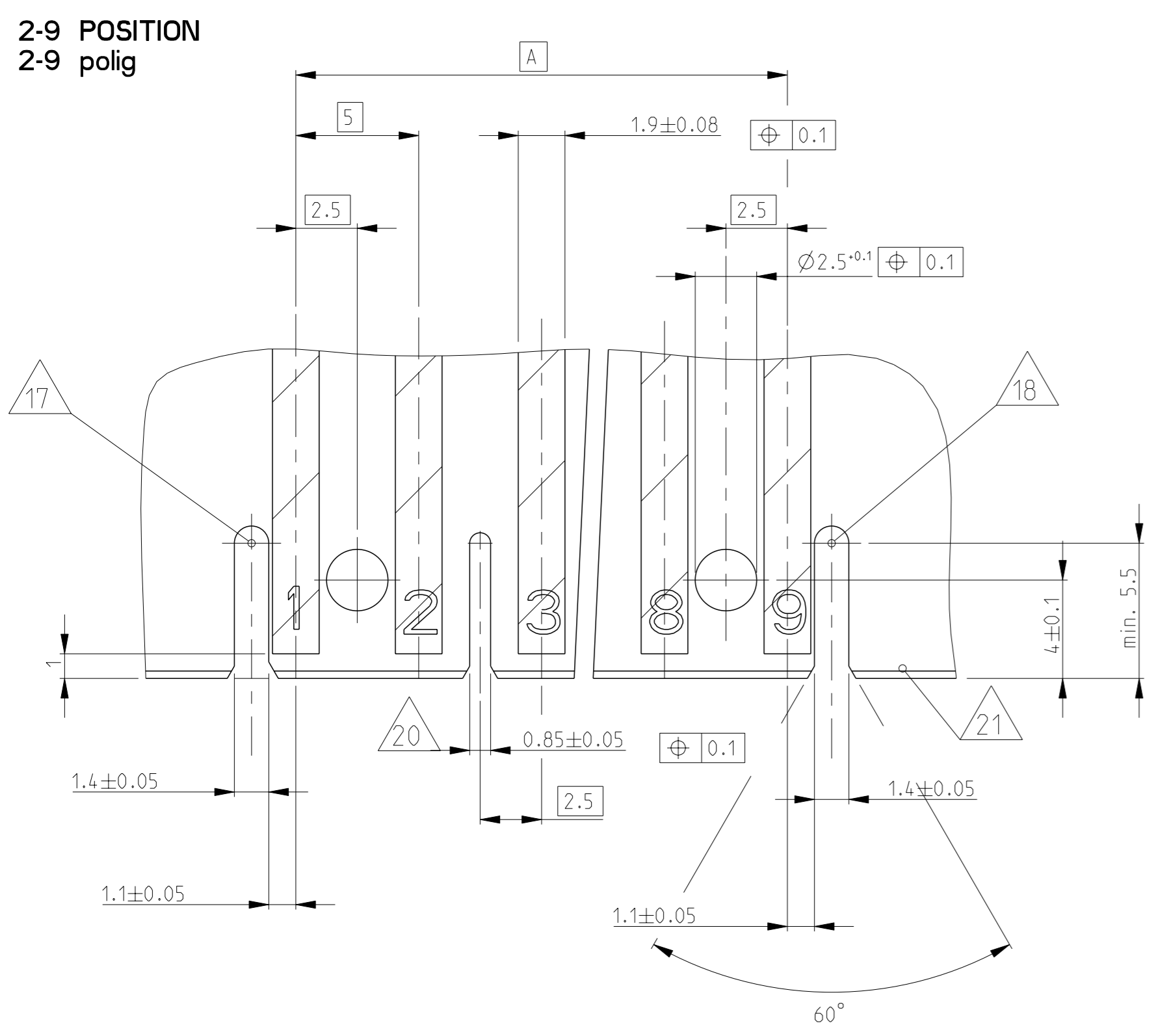
LAYOUT FOR CONNECTOR NO. 0-1740533-9 LAYOUT FOR CONNECTOR NO. 1-1740533-9 (WITHOUT PAD 9)



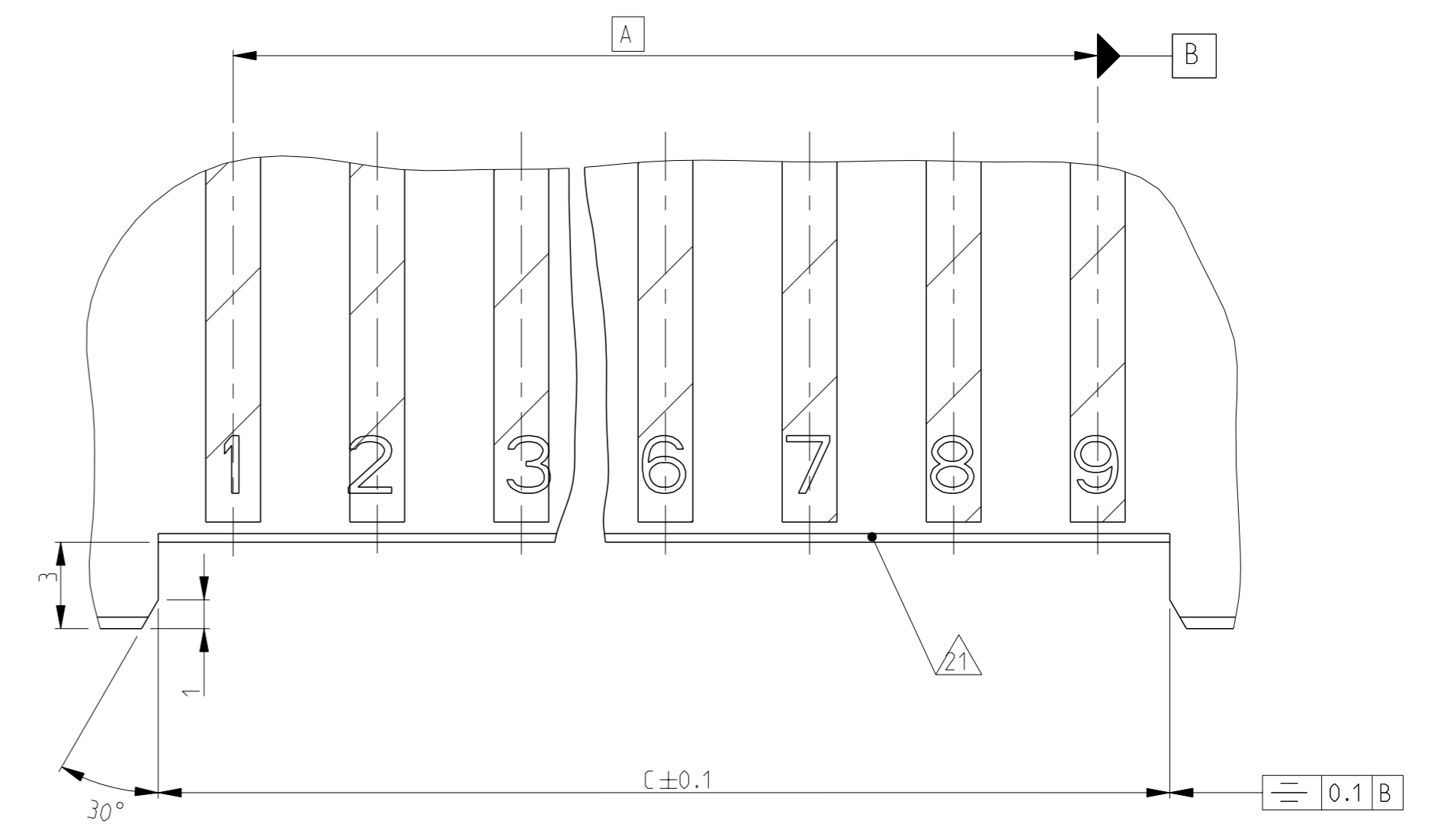
LAYOUT FOR CONNECTOR NO. 2-1740533-9

THIS DRAWING IS A CONTROLLED DOCUMENT.		OWN: H. Atzmann	01NOV2005	TE Connectivity NAME: AMP DUOPLUG POWER FEMALE CONNECTOR 2-9 POSITION (WITH PCB LOCKING) PRODUCT SPEC: 108-18780 APPLICATION SPEC: 114-18996 WEIGHT: - SCALE: 5:1
DIMENSIONS: mm		CHK: B. Schnaubelt	01NOV2005	
TOLERANCES UNLESS OTHERWISE SPECIFIED:		APVD: T. Klenner	01NOV2005	
0 PLC ±0.2 1 PLC ±0.2 2 PLC ±0.2 3 PLC ±0.2 4 PLC ±0.2 ANGLES ±0°		MATERIAL: SEE TABLE FINISH: SEE TABLE		
MATERIAL: SEE TABLE		CUSTOMER DRAWING		SIZE: A1 CAGE CODE: 00779 DRAWING NO: ©=1740533 SHEET: 2 OF 4 REV: B24

PCB LAYOUT IN GENERAL
Leiterplattenanschluss allgemein



**PCB LAYOUT FOR VERSIONS WITHOUT KEYING RIBS/
 LOCKING HOOKS (E. G. PN 2-1740533-7)**
**Leiterplattenanschluss fuer Version ohne Kodierrippen/
 Rasthaken (z. B. Nr. 2-1740533-7)**



LOC	DIST	REVISIONS			
		REV	DATE	OWN	APVD
A1	-	-	-	-	-
		SEE SHEET 1			

THIS DRAWING IS A CONTROLLED DOCUMENT.		OWN: SUDHAKAR	Z80CT2013		TE Connectivity
DIMENSIONS: mm		CHK: SUDHAKAR	Z80CT2013		
TOLERANCES UNLESS OTHERWISE SPECIFIED:		APVD: RAJENDRA	Z80CT2013	NAME: AMP DUOPLUG POWER FEMALE CONNECTOR 2-9 POSITION (WITH PEB LOCKING)	
0 PLC ±0.2		PRODUCT SPEC		SIZE: CAGE CODE DRAWING NO. RESTRICTED TO	
1 PLC ±0.2		108-18750		A1 00779 ©=1740533	
2 PLC ±0.2		APPLICATION SPEC		SCALE: 5:1 SHEET 3 OF 4 REV B24	
3 PLC ±		114-18996		CUSTOMER DRAWING	
4 PLC ±		WEIGHT: -			
ANGLES ±					
FINISH ±					

X-ON Electronics

Largest Supplier of Electrical and Electronic Components

Click to view similar products for [TE Connectivity](#) manufacturer:

Other Similar products are found below :

[D38999/24FJ4AN](#) [570416-000](#) [CLTEQ-M81CE-SSRELAY-4-20V](#) [4-1195131-0](#) [650069-000](#) [SMD100-2](#) [358838-000](#) [CB-1022B-78](#)
[RM707012](#) [RP410012](#) [MMS42](#) [1-640426-8](#) [2EDL4CM](#) [DTS20W19-11PD-3028-LC](#) [RM202615](#) [NC6-P104-06](#) [MSPS103B](#) [DTS26F21-](#)
[41HE-LC](#) [DTS26F21-41AE](#) [DTS26F21-41PE-LC](#) [DTS26F21-11SE-3028-LC](#) [30DCB6](#) [1932144-1](#) [293545-4](#) [LVR125S](#) [MS27466T25F4PB](#)
[CKB-38-78010](#) [TR04AI-TINELLOCKRING](#) [1206SFF150F/63-2](#) [D38999/20JB35HA](#) [TE1500A2R2J](#) [D38999/20WC8BB](#) [DTS24F19-11SC-](#)
[3028-LC](#) [D38999/24WG11HA](#) [D38999/24WG11HN](#) [MS27467T21F11H](#) [DJT16E21-11HA](#) [MS27467T21F35J](#) [MS27467T21F11J](#)
[MS27467T21F16H-LC](#) [MS27467T21F35H](#) [MS27467T21F41H-LC](#) [1206SFH150F/24-2](#) [RP330024](#) [DJT16E21-11PA-LC](#) [DJT16E21-11HA-](#)
[LC](#) [DJT16E21-11AA](#) [MS27467T21B11JA](#) [DJT16E21-11JA](#) [MS27467T21B11JA-LC](#)