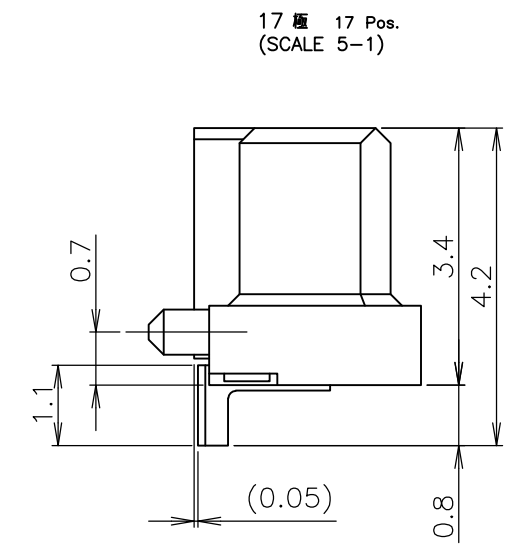
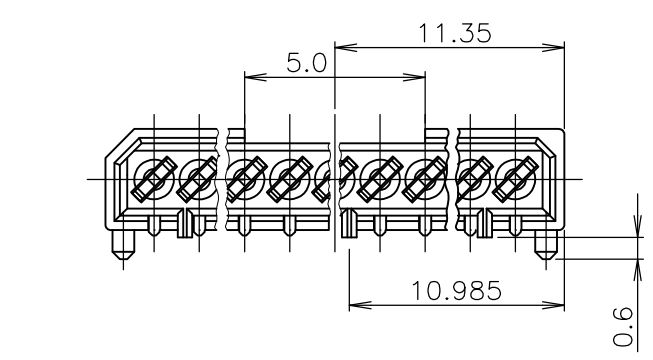
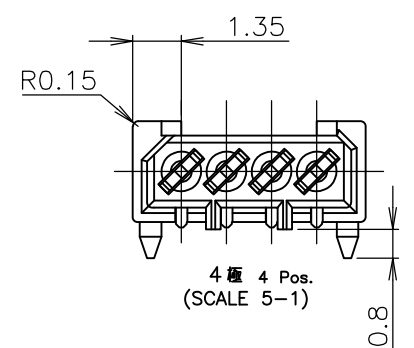
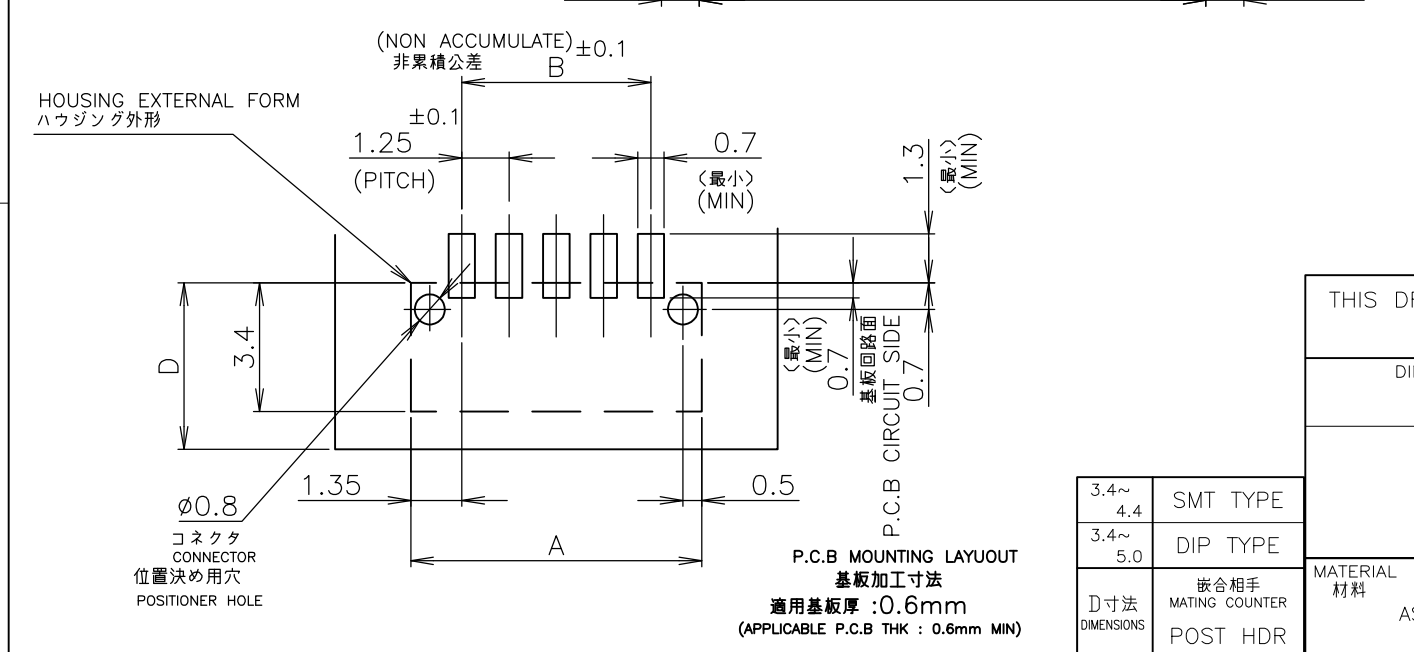
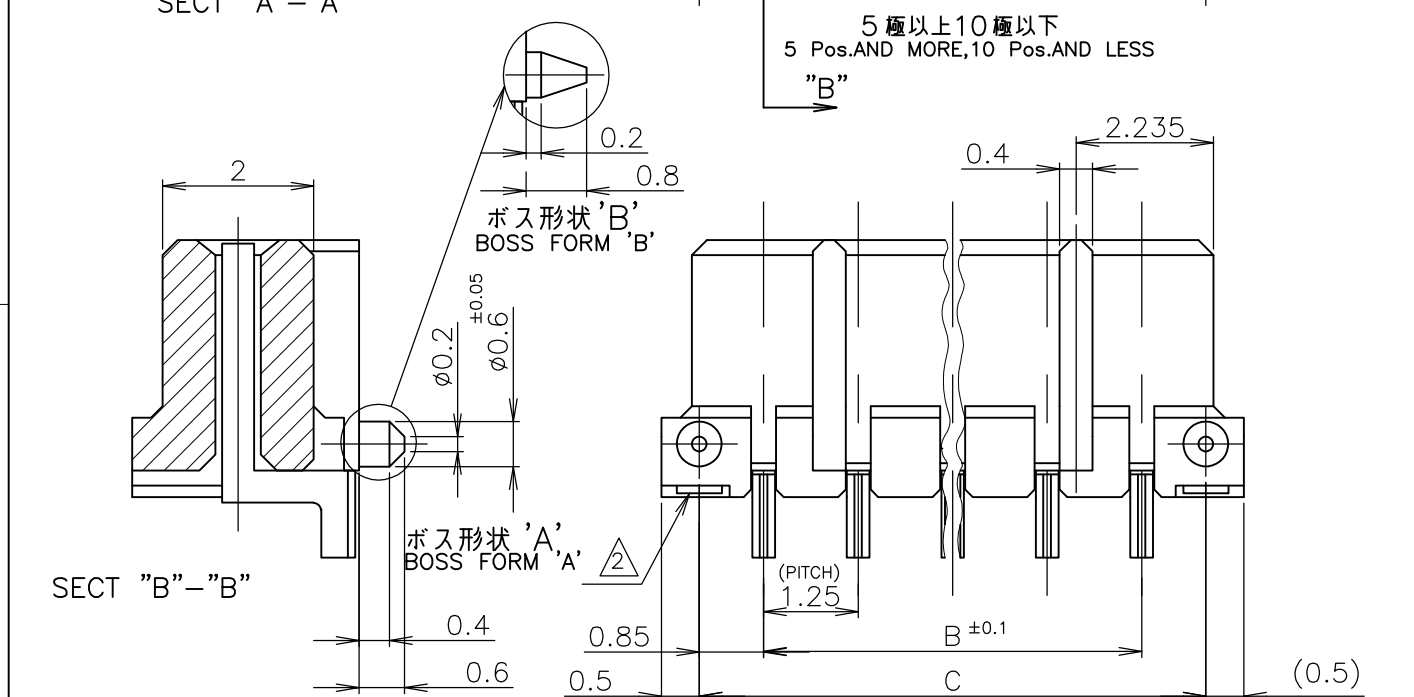
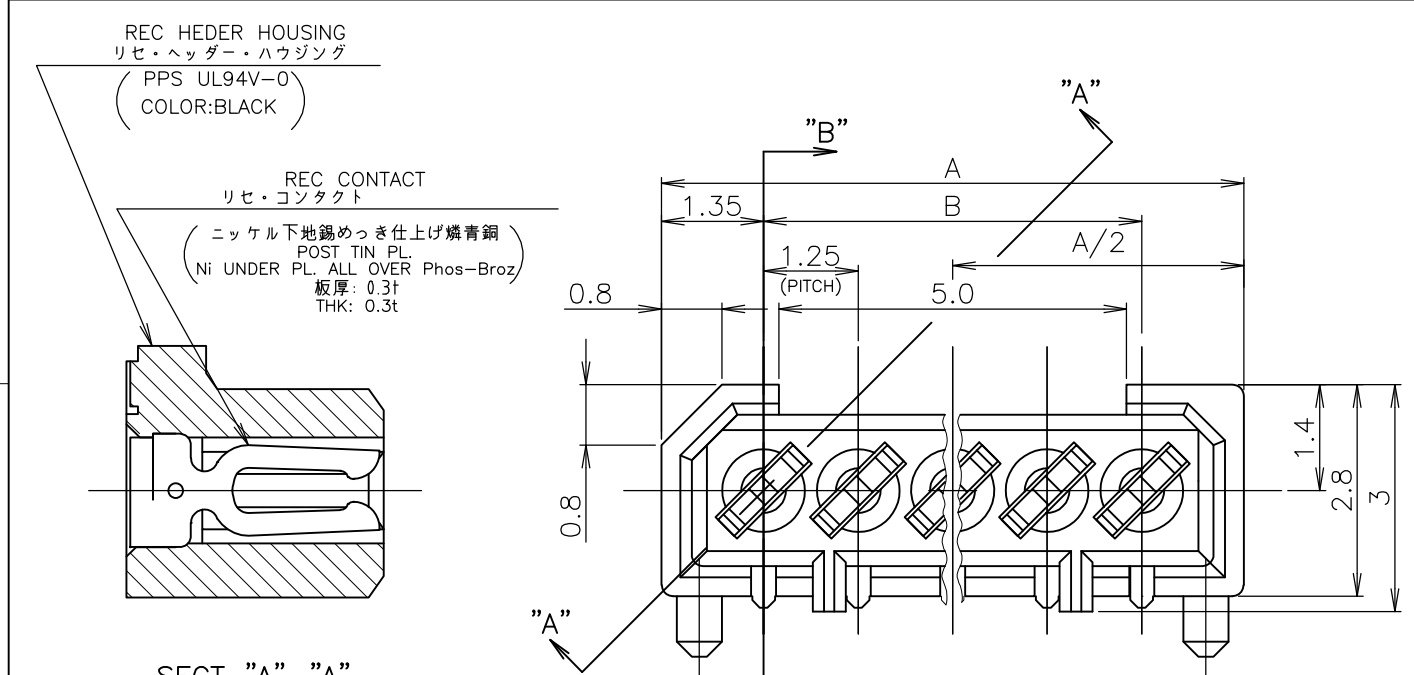


THIS DRAWING IS UNPUBLISHED. RELEASED FOR PUBLICATION
 © COPYRIGHT By - ALL RIGHTS RESERVED.

LOC	DIST	REVISIONS					
		P	LTR	DESCRIPTION	DATE	DWN	APVD
J		L2		ECR-15-018167	14JAN2016	I.T	W.H



注記 NOTES

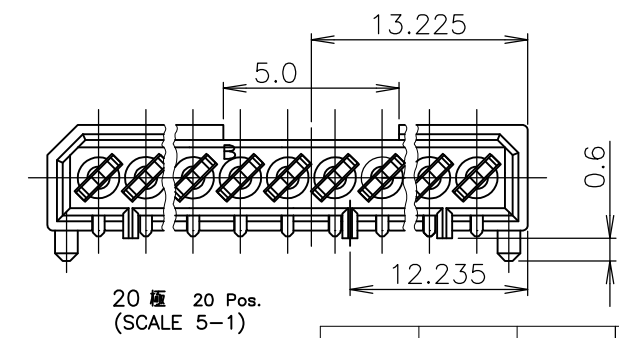
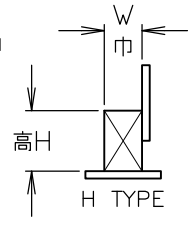
1 嵌合相手製品型番及び、嵌合時寸法は MATING COUNTER PART NUMBER AND DIMENSIONS 表-1 参照のこと。 AFTER MATING: SEE TABLE 1.

嵌合時寸法: 巾(mm) x 高さ(mm)
DIMENSIONS AFTER MATING: WIDE(mm) x HEIGHT(mm)

MATING COUNTER CONN 嵌合相手側コネクタ POST HDR ASSY		REC HDR ASSY SMT H TYPE WITH BOSS X-174638-X	
製品型番	P/N	高さ H	
DIP TYPE	X-174642-X	3.95	3.0 (巾W) x 5.8 (高さH)
		5.95	3.0 (巾W) x 7.8 (高さH)
SMT TYPE	ボス無 WITHOUT BOSS X-174644-X	3.95	4.4 (巾W) x 5.8 (高さH)
	ボス付 WITH BOSS X-174820-X	5.95	4.4 (巾W) x 7.8 (高さH)

TABLE 1 SMT TYPEは、巾及び高さ寸法に SMT TYPE INCLUDE DIMENSIONS 半田付タイプ寸法を含みます。 OF SOLDER DIP TIME.

- 2 基板位置決め用ボス切断跡。 CUT MARK OF POSITIONER BOSS.
- 3 OBSOLETE PARTS: OBSOLETE CIS STREAMLINING PER D.RENAUD/D.SINISI



(L2)	OBSOLETE	↑	25.45	23.75	26.45	20	5	↑	0
(L3)	OBSOLETE		21.70	20.00	22.70	17	4	←	7
(L1)	REACTIVE		12.95	11.25	13.95	10	4	←	0
	OBSOLETE		10.45	8.75	11.45	8	3	←	8
	OBSOLETE	'A'	9.20	7.50	10.20	7	3	←	7
(L1)	REACTIVE	↑	7.95	6.25	8.95	6	3	←	6
	OBSOLETE		6.70	5.00	7.70	5	3	←	5
	ACTIVE	'B'	5.45	3.75	6.45	4	3	←	174638-4
		ボス形状 BOSS FORM	C	B	A	極数 Pos.			型番 P/N

THIS DRAWING IS A CONTROLLED DOCUMENT.

DWN J.TANIGAWA 03JUL87	TE Connectivity
CHK S.KIKUCHI 03JUL87	
APVD S.KUBOUCHI 24DEC98	
PRODUCT SPEC 製品規格	
APPLICATION SPEC 取付適用規格	NAME 名称 1.25 F-P コネクタ (基板対基板接続用) 例仕様 リセ ヘッダー アッセンブリ 基板垂直取付型 (H) サーフェスマウントタイプ 基板位置決め用ボス付 1.25 F-P CONNECTOR (B-TO-B) SINGLE ROW REC HDR ASS'Y (H) SMT TYPE WITH BOSS
WEIGHT	SIZE A3 CAGE CODE 00779 DRAWING NO. G-174638 RESTRICTED TO
CUSTOMER DRAWING	SCALE 10:1 SHEET 1 OF 1 REV L2

X-ON Electronics

Largest Supplier of Electrical and Electronic Components

Click to view similar products for [Board to Board & Mezzanine Connectors](#) category:

Click to view products by [TE Connectivity](#) manufacturer:

Other Similar products are found below :

[10135583-642402LF](#) [89885-310LF](#) [589158040000018](#) [6-1393048-0](#) [68683-613](#) [MDF7-12DP-2.54DSA](#) [MDF7-18P-2.54DSA\(01\)](#) [MDF7-20DP-2.54DSA](#) [MDF7-26D-2.54DSA\(55\)](#) [MDF7-3P-2.54DSA\(01\)](#) [MDF7B-20P-2.54DSA\(01\)](#) [MDF7B-3P-2.54DSA\(55\)](#) [MDF7C-18P-2.54DSA\(55\)](#) [MDF7P-5P-2.54DSA\(55\)](#) [75234-0516](#) [FCN-230C068-11](#) [FCN-268F012-G/BD](#) [FCN-268F036-G/BD](#) [FCN-268M012-G/0D](#) [FCN-268M024-G/1D](#) [FCN-360C008-C](#) [FCN-723J004/1](#) [MIS-048-01-F-D-DP-K](#) [832-10-034-10-001000](#) [93696-325LF](#) [11828-1FA](#) [AXK630345P](#) [18097-0013](#) [2007042-2](#) [304400-2](#) [FCN-214Q030-G/0](#) [FCN-215Q040-G/0](#) [FCN-230C068-ESA](#) [FCN-234P048-G/0](#) [FCN-235D050-G/C](#) [FCN-360A3](#) [FCN-360C040-B](#) [210-93-314-41-105000](#) [2-22603-0](#) [379-064-521-202](#) [MDF7-12P-2.54DSA\(01\)](#) [MDF7-16P-2.54DS\(56\)](#) [MDF7-16P-2.54DSA\(55\)](#) [MDF7-40DP-2.54DSA\(55\)](#) [MDF7-8P-2.54DSA\(55\)](#) [AXG720047](#) [5031084030](#) [55323-1519](#) [DF33-2P-3.3DSA\(24\)](#) [DF33-2S-3.3C](#)