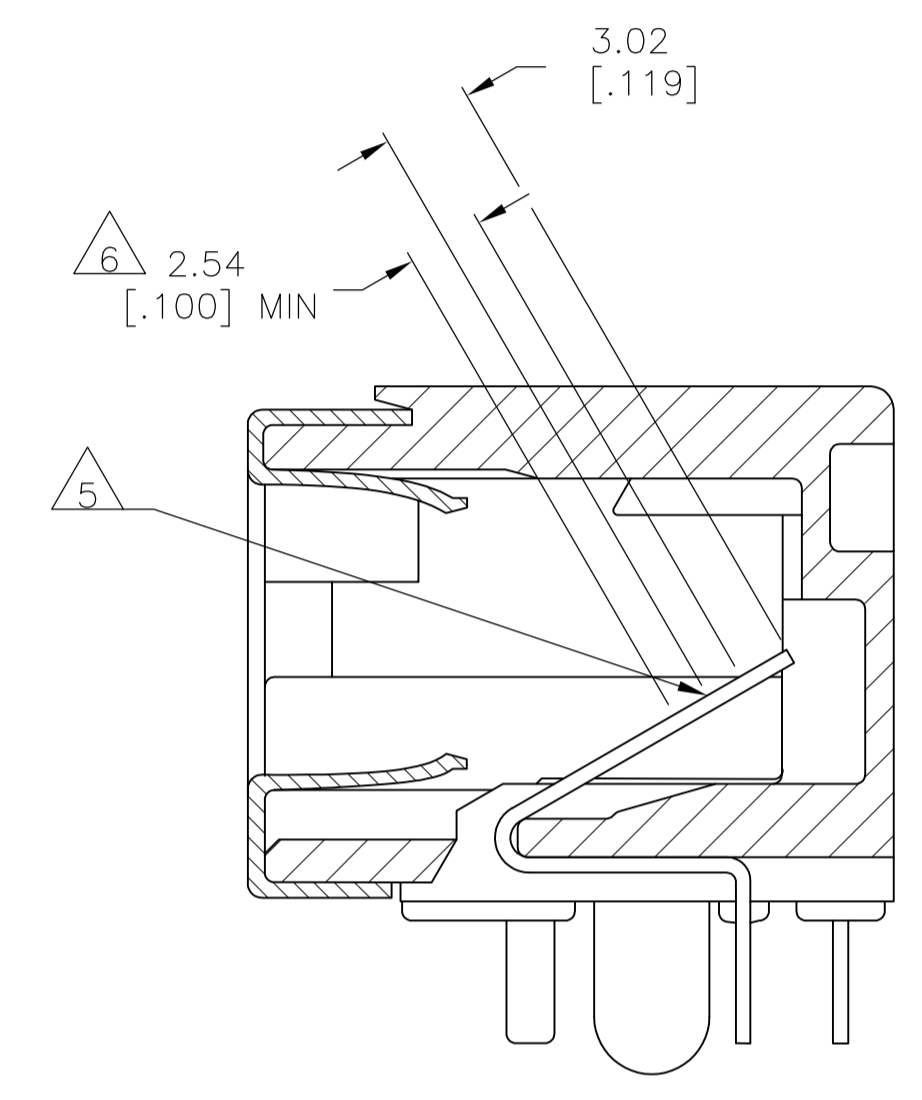
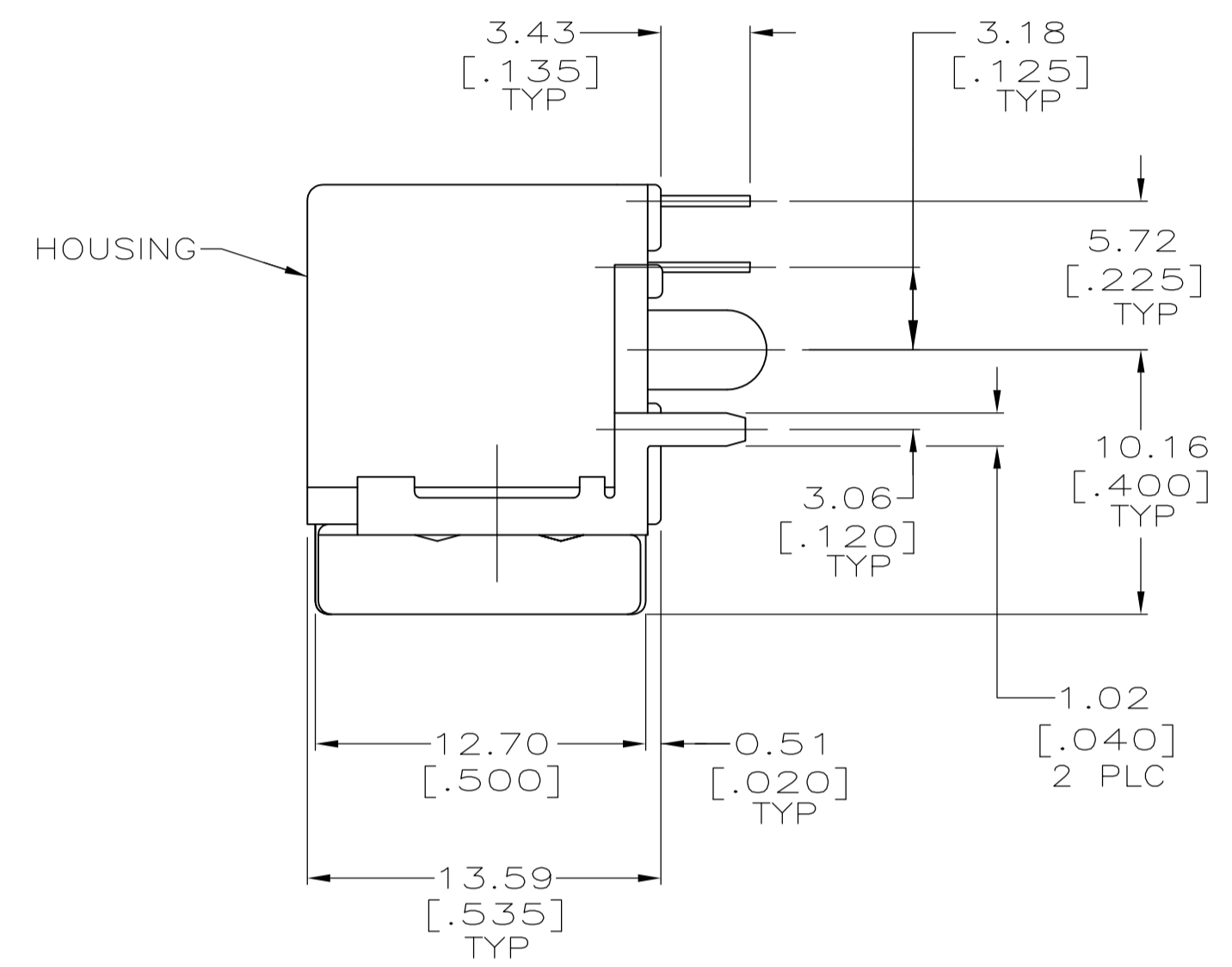
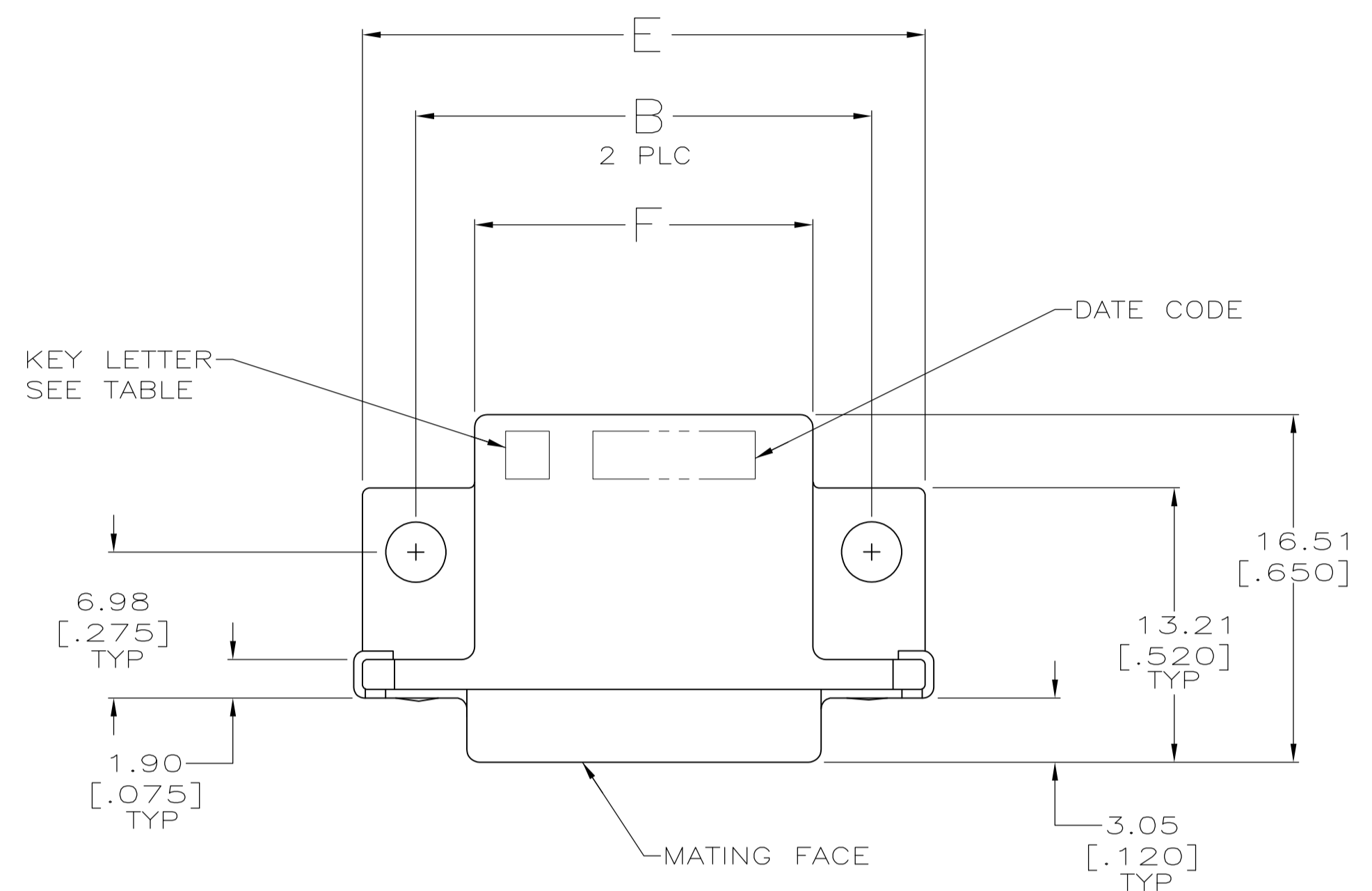
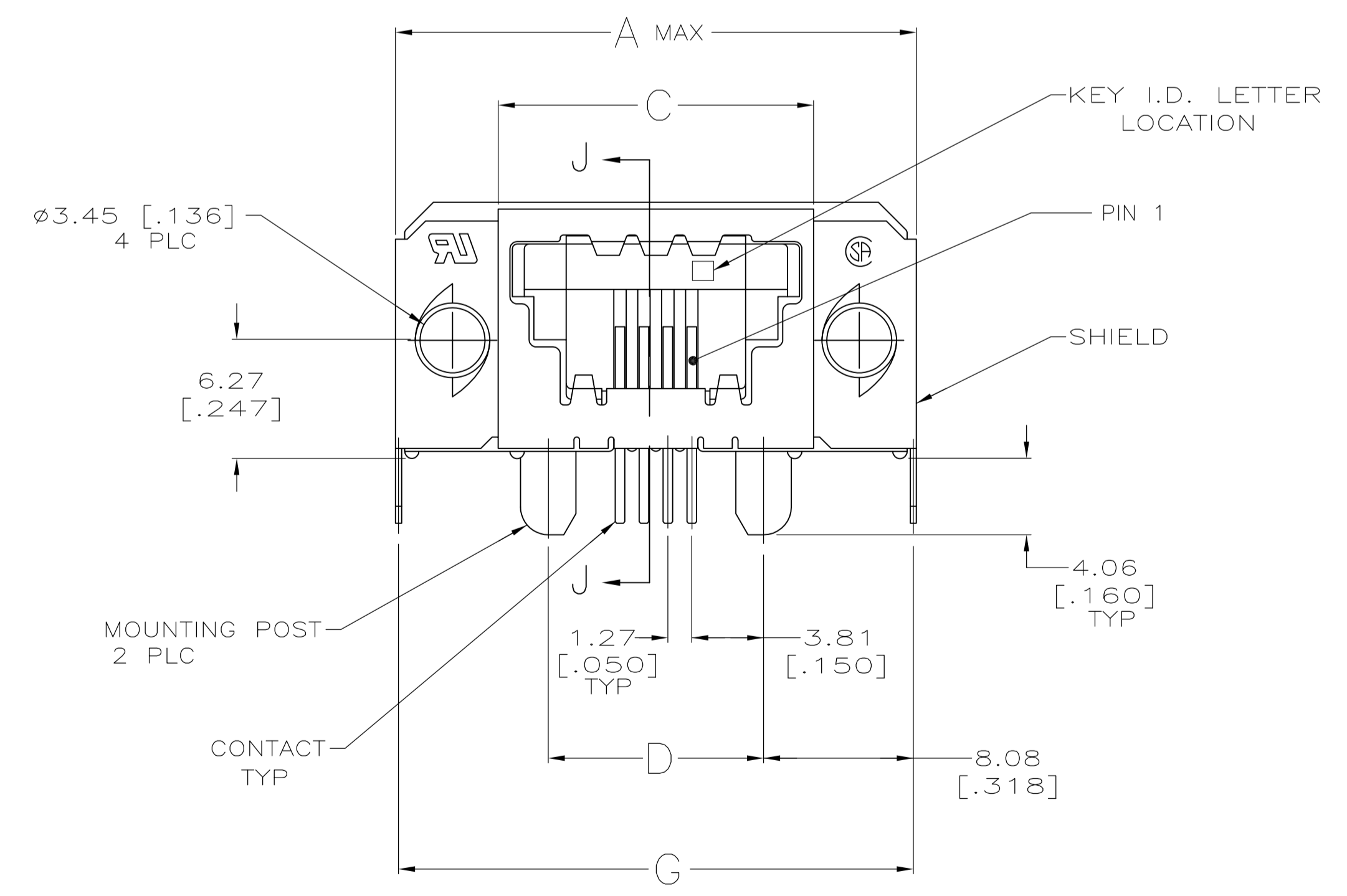


- PREFIX AND SUFFIX NUMBERS MUST MATCH THOSE ON PLUG ASSEMBLY FOR PARTS TO MATE.
- POLYESTER, FLAME RETARDANT, UL 94V-0 RATED, GLASS FILLED, BLACK.
- 3.81µm [.000150] MIN BRIGHT TIN OVER 1.27µm [.000050] MIN NICKEL.
- 1.27µm [.000050] MIN GOLD ON MATING SURFACE FOR A LENGTH OF 2.54 [.100] MIN, 3.81µm [.000150] MIN MATTE TIN ON OPPOSITE END FOR A LENGTH OF 3.81 [.150] MIN, BOTH OVER 1.27µm [.000050] MIN NICKEL ON ENTIRE CONTACT.
- POINT OF PLATING MEASUREMENT.
- DIMENSION INDICATES MATING AREA.



SECTION J-J



|          |                  |                  |                  |                  |                  |                  |                  |                 |         |             |
|----------|------------------|------------------|------------------|------------------|------------------|------------------|------------------|-----------------|---------|-------------|
|          | 42.57<br>[1.676] | 31.24<br>[1.230] | 41.91<br>[1.650] | 26.67<br>[1.050] | 31.98<br>[1.259] | 36.83<br>[1.450] | 43.18<br>[1.700] | 16              | E       | 5-1761185-6 |
|          | 32.41<br>[1.276] | 21.08<br>[.830]  | 31.75<br>[1.250] | 16.51<br>[.650]  | 21.82<br>[.859]  | 26.67<br>[1.050] | 33.02<br>[1.300] | 8               | E       | 5-1761185-3 |
| OBSOLETE | 29.87<br>[1.176] | 18.54<br>[.730]  | 29.21<br>[1.150] | 13.97<br>[.550]  | 19.28<br>[.759]  | 24.13<br>[.950]  | 30.48<br>[1.200] | 6               | E       | 5-1761185-2 |
|          | 27.33<br>[1.076] | 16.00<br>[.630]  | 26.67<br>[1.050] | 11.43<br>[.450]  | 16.74<br>[.659]  | 21.59<br>[.850]  | 27.94<br>[1.100] | 4               | E       | 5-1761185-1 |
|          | 27.33<br>[1.076] | 16.00<br>[.630]  | 26.67<br>[1.050] | 11.43<br>[.450]  | 16.74<br>[.659]  | 21.59<br>[.850]  | 27.94<br>[1.100] | 4               | D       | 4-1761185-1 |
|          | 32.41<br>[1.276] | 21.08<br>[.830]  | 31.75<br>[1.250] | 16.51<br>[.650]  | 21.82<br>[.859]  | 26.67<br>[1.050] | 33.02<br>[1.300] | 8               | C       | 3-1761185-3 |
| OBSOLETE | 42.57<br>[1.676] | 31.24<br>[1.230] | 41.91<br>[1.650] | 26.67<br>[1.050] | 31.98<br>[1.259] | 36.83<br>[1.450] | 43.18<br>[1.700] | 16              | A       | 1-1761185-6 |
|          | 32.41<br>[1.276] | 21.08<br>[.830]  | 31.75<br>[1.250] | 16.51<br>[.650]  | 21.82<br>[.859]  | 26.67<br>[1.050] | 33.02<br>[1.300] | 8               | A       | 1-1761185-3 |
|          | 29.87<br>[1.176] | 18.54<br>[.730]  | 29.21<br>[1.150] | 13.97<br>[.550]  | 19.28<br>[.759]  | 24.13<br>[.950]  | 30.48<br>[1.200] | 6               | A       | 1-1761185-2 |
|          | 27.33<br>[1.076] | 16.00<br>[.630]  | 26.67<br>[1.050] | 11.43<br>[.450]  | 16.74<br>[.659]  | 21.59<br>[.850]  | 27.94<br>[1.100] | 4               | A       | 1-1761185-1 |
| G        | F                | E                | D                | C                | B                | A                | NO OF POSN       | KEY I.D. LETTER | PART NO |             |

THIS DRAWING IS A CONTROLLED DOCUMENT.

|                         |  |                           |  |
|-------------------------|--|---------------------------|--|
| DIMENSIONS: mm [INCHES] | TOLERANCES UNLESS OTHERWISE SPECIFIED: | DIN B MCMASIER 26APR04    | STE  |
| 0 PLC ± -               | 1 PLC ± -                              | CJK C ROHDE 26APR04       | TE Connectivity                                  |
| 2 PLC ± -               | 3 PLC ± -                              | APVD M WALMSLEY 26APR04   | RECEPTACLE ASSEMBLY, SIDE ENTRY WITH GROUND, SDL |
| 4 PLC ± 0.381 [015]     | ANGLES ± -                             | PRODUCT SPEC 108-2047     |  |
| MATERIAL                | FINISH                                 | APPLICATION SPEC 114-2081 | SIZE CAGE CODE DRAWING NO                        |
|                         |  | WEIGHT                    | A1 00779 C=1761185                               |
|                         |  | CUSTOMER DRAWING          | SCALE 4:1 SHEET 1 OF 1 REV C                     |

## X-ON Electronics

Largest Supplier of Electrical and Electronic Components

*Click to view similar products for [Modular Connectors / Ethernet Connectors](#) category:*

*Click to view products by [TE Connectivity](#) manufacturer:*

Other Similar products are found below :

[RJE231881317T](#) [MP1010RX-1000](#) [MP44RX-1000](#) [GAX-3-66](#) [GAX-8-62](#) [93606-0253](#) [GD-A-44](#) [GDCX-PA-66-50](#) [GDCX-PN-64](#) [GDCX-PN-66](#) [GDCX-PN-66-50](#) [GDLX-A-66](#) [GDLX-A-88](#) [GDLX-N-66](#) [GDLX-S-66](#) [GDLX-S-88K](#) [GDTX-S-88-50](#) [GDX-PA-1010](#) [GLX-N-1010M-BLK](#) [GLX-S-88M-BLK](#) [GMX-N-1010](#) [GMX-S-1010](#) [GMX-S-66](#) [GMX-SMT2-N-1010](#) [GMX-SMT2-N-64-50](#) [GMX-SMT2-N-88](#) [GMX-SMT2-S6-88](#) [GMX-SMT4-N-88](#) [GPX-2-64](#) [GRT1-BT1-5](#) [GSGX-N-2-88](#) [GSX-NS2-88-3.05](#) [GSX-NS2-88-3.05-50](#) [GSX-NS-88-3.05-30](#) [GSX-NS-88-3.05-50](#) [GSX-NS-88-3.68](#) [1-1775629-2](#) [GWLX-S-88-GR](#) [GWLX-S9-88-YG](#) [1300500326](#) [1300500227](#) [1300530003](#) [1300570002](#) [1324640-4](#) [RJ11FTVC2G](#) [RJ11FTVC2N](#) [RJFTVX2SA1G](#) [132764-001](#) [1400000](#) [1413235](#)