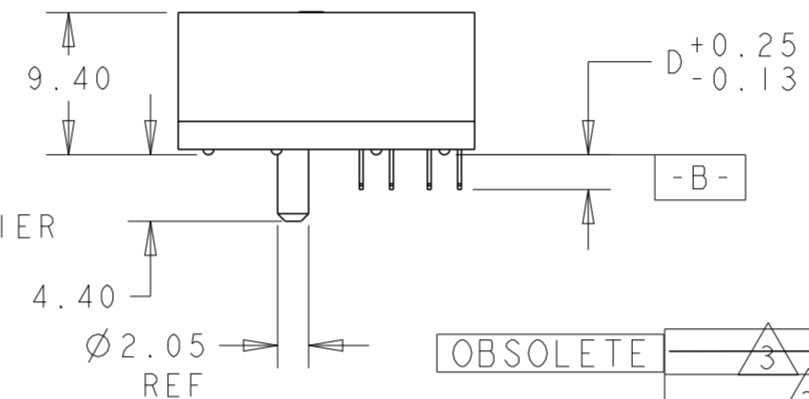
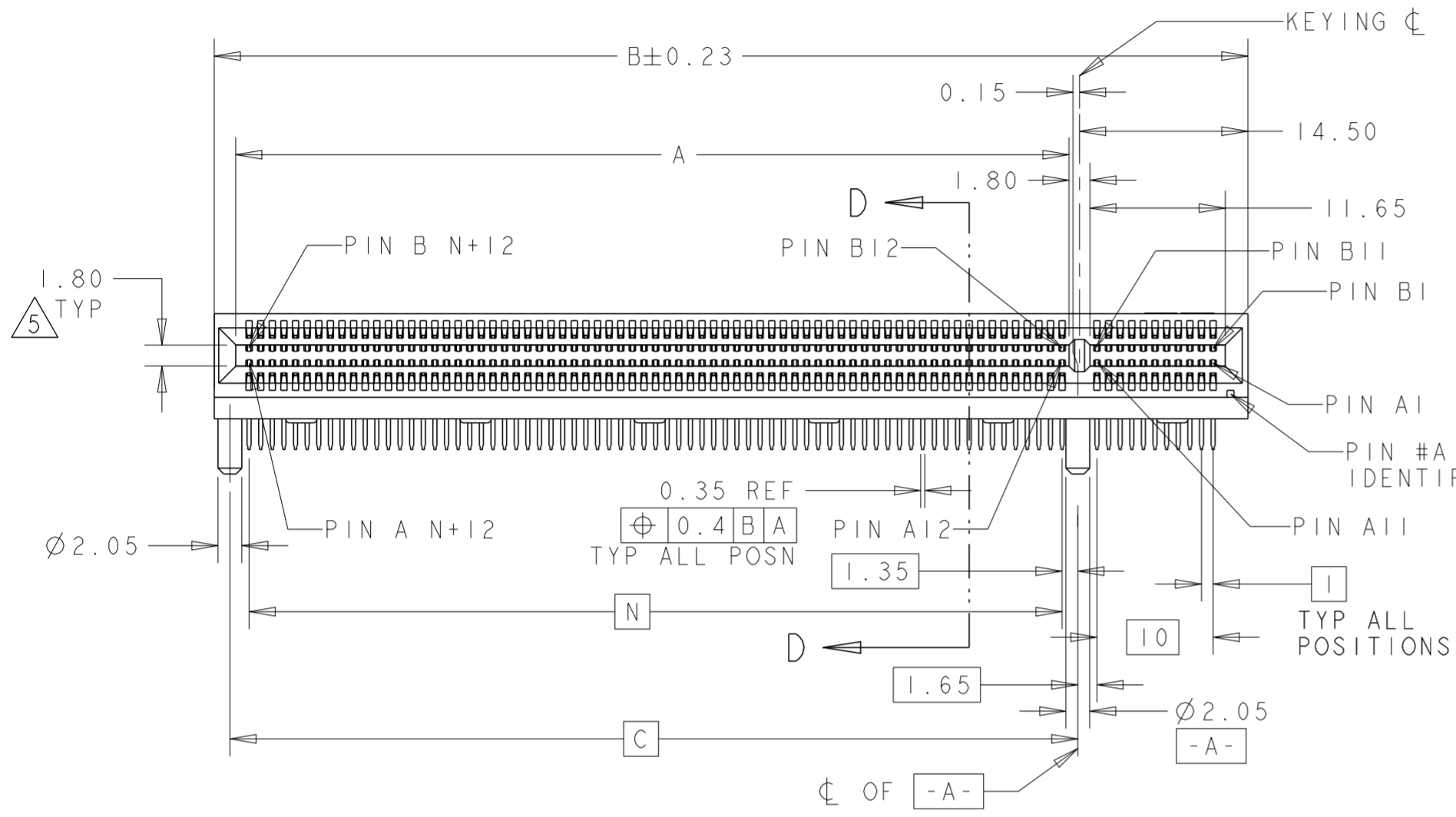
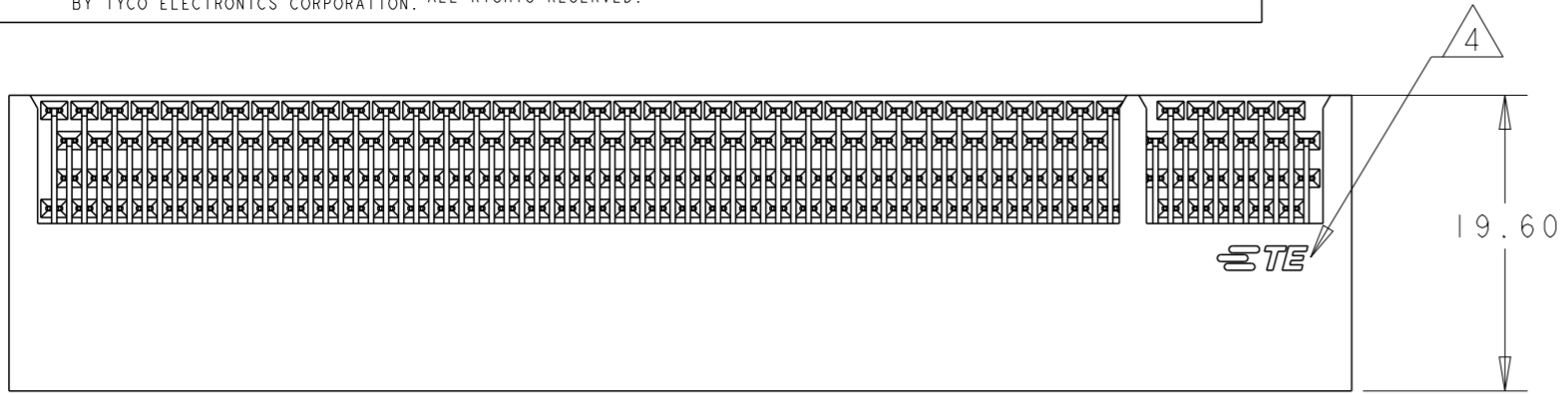
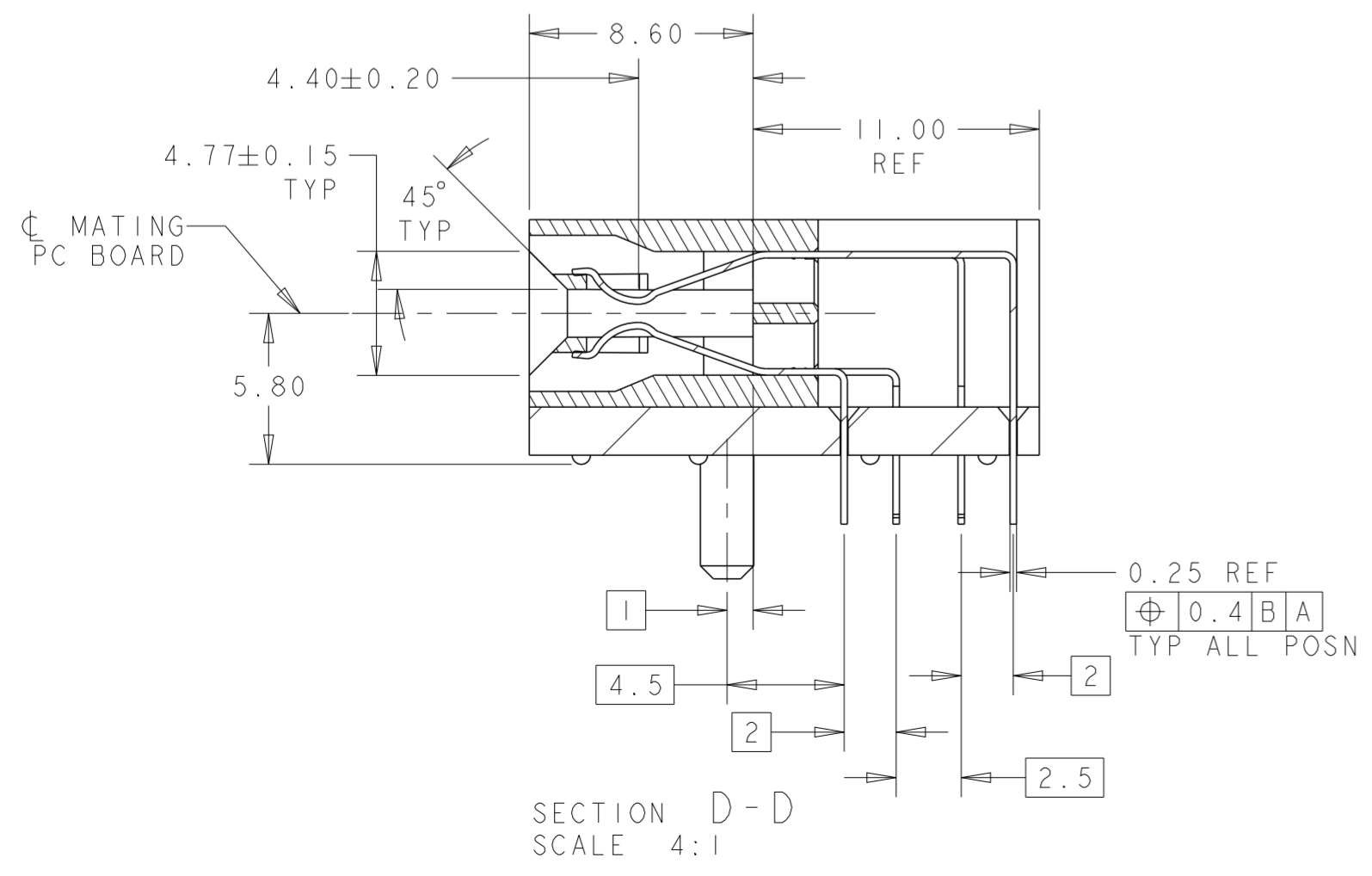
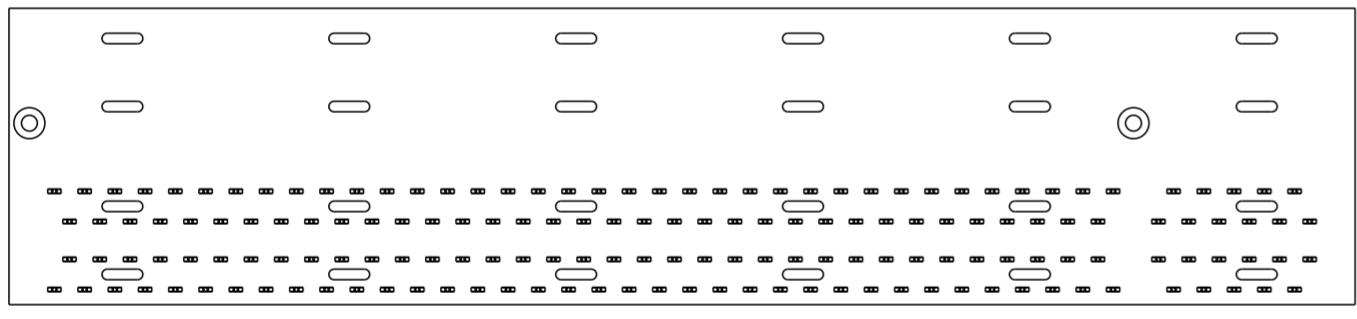


THIS DRAWING IS UNPUBLISHED. RELEASED FOR PUBLICATION 20  
 © COPYRIGHT 20 BY TYCO ELECTRONICS CORPORATION. ALL RIGHTS RESERVED.

LOC	DIST	REVISIONS					
GP	00	P	LTR	DESCRIPTION	DATE	DWN	APVD
		D		ECO-18-018985	17DEC2018	FL	HL
		D1		OBSOLETE 280POS (ECO-19-012723)	17DEC2019	AL	HL



- 1 MATERIAL: HOUSING: HIGH TEMP NYLON, UL 94V-0  
 COLOR: BLACK  
 TINE PLATE: LCP, UL 94V-0,  
 COLOR: BLACK.  
 CONTACT: PHOSPHOR BRONZE
- 2 FINISH: CONTACT AREA: GOLD PLATE 0.76µm MIN THICK OVER  
 NICKEL UNDERPLATE.  
 TINE AREA: TIN PLATE OVER NICKEL UNDERPLATE.
- 3 FINISH: CONTACT AREA: GOLD PLATE 0.38µm MIN THICK OVER  
 NICKEL UNDERPLATE.  
 TINE AREA: TIN PLATE OVER NICKEL UNDERPLATE.
- 4 COMPANY LOGO IN APPROXIMATE AREA SHOWN.
- 5 SLOT ACCEPTS STANDARD 1.57mm±10% THICK ADD-IN CARD.



FINISH	N	E	D	C	B	A	POSN	PORT	PART NO
OBSOLETE	3	128.00	130.15	3.56	131.15	147.00	129.65	280	5-1761465-5
	3	70.00	72.15	3.56	73.15	89.00	71.65	164	5-1761465-4
	3	37.00	39.15	3.56	40.15	56.00	38.65	98	5-1761465-3
	3	20.00	22.15	3.56	23.15	39.00	21.65	64	5-1761465-2
	3	6.00	8.15	3.56	9.15	25.00	7.65	36	5-1761465-1
OBSOLETE	2	128.00	130.15	3.56	131.15	147.00	129.65	280	4-1761465-5
	2	70.00	72.15	3.56	73.15	89.00	71.65	164	4-1761465-4
	2	37.00	39.15	3.56	40.15	56.00	38.65	98	4-1761465-3
	2	20.00	22.15	3.56	23.15	39.00	21.65	64	4-1761465-2
	2	6.00	8.15	3.56	9.15	25.00	7.65	36	4-1761465-1
OBSOLETE	3	128.00	130.15	3.10	131.15	147.00	129.65	280	3-1761465-5
	3	70.00	72.15	3.10	73.15	89.00	71.65	164	3-1761465-4
	3	37.00	39.15	3.10	40.15	56.00	38.65	98	3-1761465-3
	3	20.00	22.15	3.10	23.15	39.00	21.65	64	3-1761465-2
	3	6.00	8.15	3.10	9.15	25.00	7.65	36	3-1761465-1
OBSOLETE	3	128.00	130.15	2.30	131.15	147.00	129.65	280	2-1761465-5
	3	70.00	72.15	2.30	73.15	89.00	71.65	164	2-1761465-4
	3	37.00	39.15	2.30	40.15	56.00	38.65	98	2-1761465-3
	3	20.00	22.15	2.30	23.15	39.00	21.65	64	2-1761465-2
	3	6.00	8.15	2.30	9.15	25.00	7.65	36	2-1761465-1
OBSOLETE	2	128.00	130.15	3.10	131.15	147.00	129.65	280	1-1761465-5
	2	70.00	72.15	3.10	73.15	89.00	71.65	164	1-1761465-4
	2	37.00	39.15	3.10	40.15	56.00	38.65	98	1-1761465-3
	2	20.00	22.15	3.10	23.15	39.00	21.65	64	1-1761465-2
	2	6.00	8.15	3.10	9.15	25.00	7.65	36	1-1761465-1
OBSOLETE	2	128.00	130.15	2.30	131.15	147.00	129.65	280	1761465-5
	2	70.00	72.15	2.30	73.15	89.00	71.65	164	1761465-4
	2	37.00	39.15	2.30	40.15	56.00	38.65	98	1761465-3
	2	20.00	22.15	2.30	23.15	39.00	21.65	64	1761465-2
	2	6.00	8.15	2.30	9.15	25.00	7.65	36	1761465-1

THIS DRAWING IS A CONTROLLED DOCUMENT FOR TYCO ELECTRONICS CORPORATION  
 IT IS SUBJECT TO CHANGE AND THE CONTROLLING ENGINEERING ORGANIZATION  
 SHOULD BE CONTACTED FOR THE LATEST REVISION.

DWN R TREA 09SEP2004  
 CHK D DEFIBAUGH 09SEP2004  
 APVD D DEFIBAUGH 09SEP2004

**Tyco Electronics**  
 Tyco Electronics  
 Harrisburg, PA 17105-3608

NAME PCI EXPRESS CARD EDGE CONNECTOR  
 ASSEMBLY, RIGHT ANGLE, 5.8mm SLOT HEIGHT,  
 THROUGH HOLE, ExpressModule TYPE

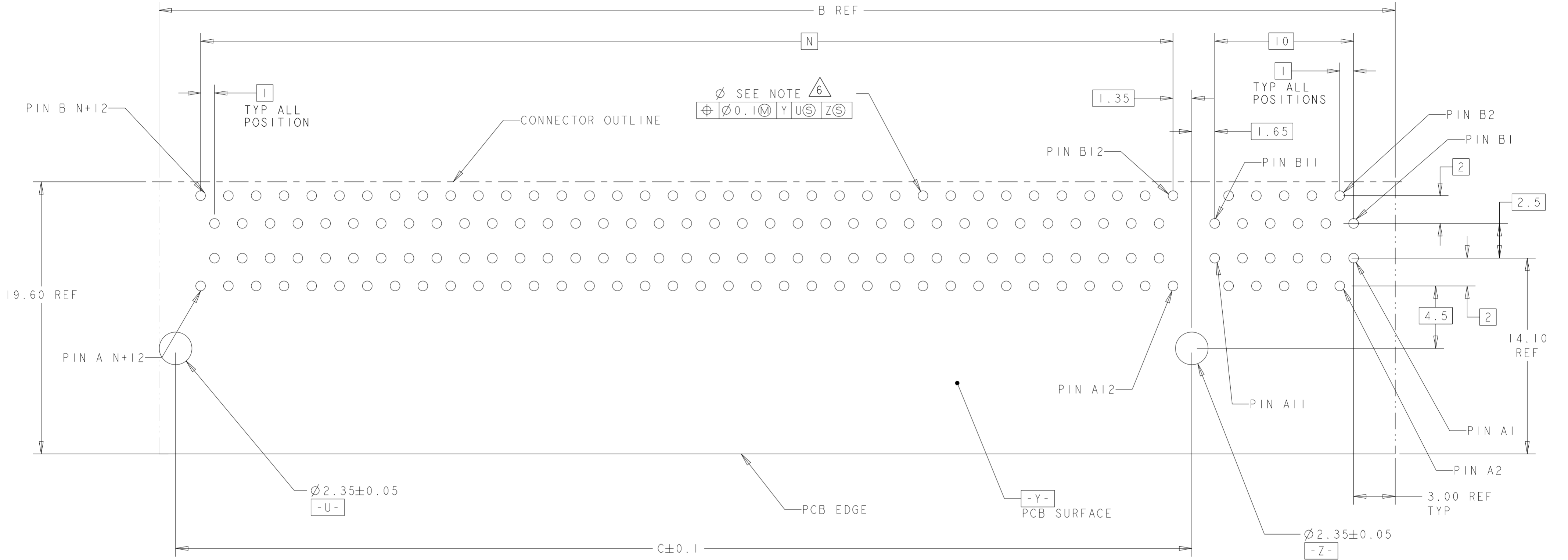
SIZE A2 CAGE CODE 00779 DRAWING NO C-1761465 RESTRICTED TO

MATERIAL FINISH 1

RESTRICED CUSTOMER SCALE 2:1 SHEET 1 OF 3 REV D1

THIS DRAWING IS UNPUBLISHED. RELEASED FOR PUBLICATION 20  
 © COPYRIGHT 20 BY TYCO ELECTRONICS CORPORATION. ALL RIGHTS RESERVED.

LOC	DIST	REVISIONS					
GP	00	P	LTR	DESCRIPTION	DATE	DWN	APVD
		-		SEE SHEET 1			



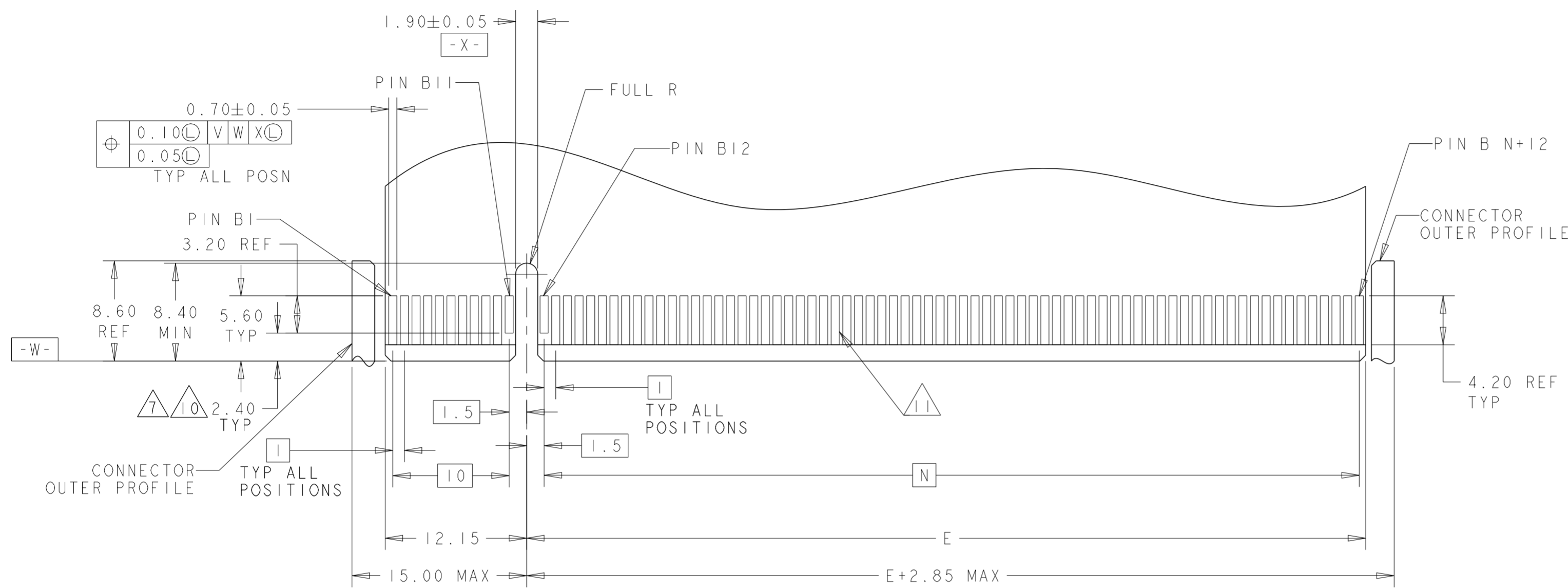
RIGHT ANGLE, ExpressModule  
 PCB LAYOUT  
 SCALE 5:1

**6** MANUFACTURING TOLERANCE FOR  $\varnothing 0.70 \pm 0.05$  DIAMETER FINISHED HOLE WITH SnPB PLATING:  
 DRILLED HOLE =  $\varnothing 0.79 \pm 0.02$   
 COPPER PLATING = 0.025-0.050  
 SnPB PLATING = 0.0038-0.0124  
 OR  $\varnothing 0.715 \pm 0.050$  FINISHED HOLE WITHOUT SnPB PLATING  
 DRILLED HOLE =  $\varnothing 0.79 \pm 0.02$   
 COPPER PLATING = 0.025-0.050

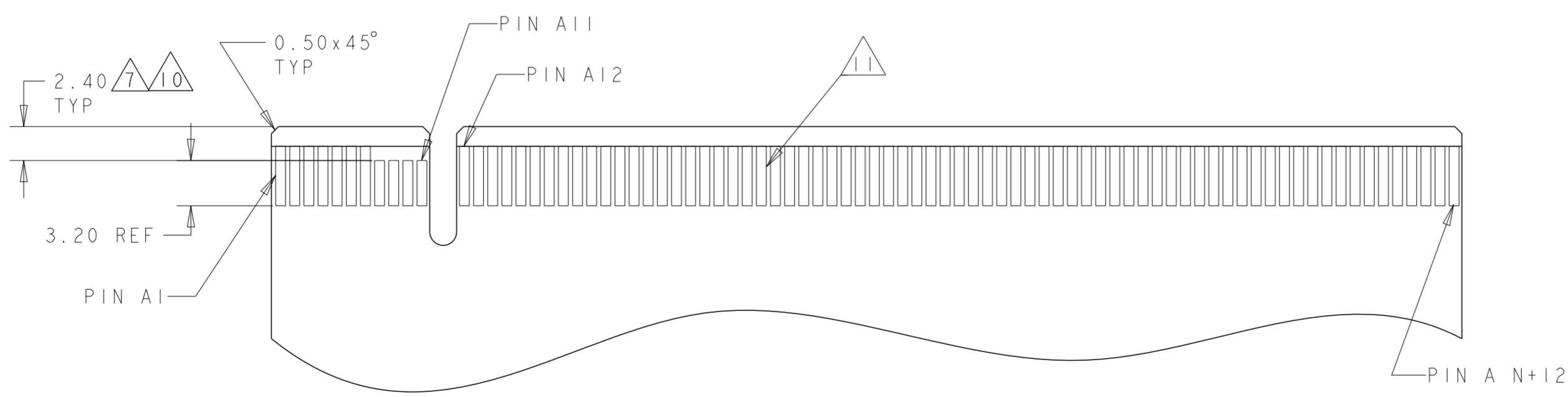
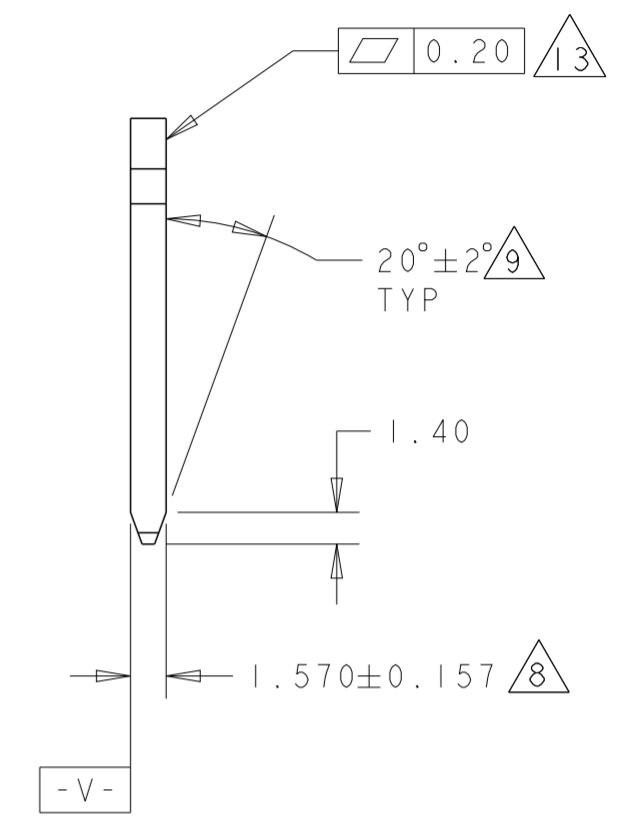
THIS DRAWING IS A CONTROLLED DOCUMENT FOR TYCO ELECTRONICS CORPORATION. IT IS SUBJECT TO CHANGE AND THE CONTROLLING ENGINEERING ORGANIZATION SHOULD BE CONTACTED FOR THE LATEST REVISION.		DWN R. TREA 09SEP2004	Tyco Electronics Harrisburg, PA 17105-3608	
DIMENSIONS: mm		CHK D. DEEIBAUGH 09SEP2004	NAME PCI EXPRESS CARD EDGE CONNECTOR ASSEMBLY, RIGHT ANGLE, 5.8mm SLOT HEIGHT, THROUGH HOLE, ExpressModule TYPE	
TOLERANCES UNLESS OTHERWISE SPECIFIED: 0 PLC ±- 1 PLC ±0.5 2 PLC ±0.13 3 PLC ±0.013 4 PLC ±- ANGLES ±2° FINISH		APVD D. DEEIBAUGH 09SEP2004	SIZE A2	
MATERIAL		PRODUCT SPEC -	CAGE CODE 00779	DRAWING NO C-1761465
		APPLICATION SPEC -	RESTRICTED TO	
		WEIGHT -	SCALE 2:1 SHEET 2 OF 3 REV D1	
		RESTRICTED CUSTOMER		

THIS DRAWING IS UNPUBLISHED. RELEASED FOR PUBLICATION 20  
 © COPYRIGHT 20 BY TYCO ELECTRONICS CORPORATION. ALL RIGHTS RESERVED.

LOC	DIST	REVISIONS					
GP	00	P	LTR	DESCRIPTION	DATE	DWN	APVD
		-		SEE SHEET 1			



SEE SHEET 1



- 7 DIMENSION ONLY APPLIES TO "LAST MATE" PINS.
- 8 CARD THICKNESS APPLIES ACROSS PAD SURFACES AND INCLUDES PLATING AND/OR METALIZATION.
- 9 CHAMFER EDGES MUST BE FREE OF CUTTING BURRS.
- 10 NO TIE BAR PERMITTED FROM CARD EDGE TO LEADING EDGE OF "LAST MATE" PADS.
- 11 GOLD CONTACT PADS: ELECTROLESS GOLD PLATE 0.76µm MIN THICK OVER ELECTROLESS NICKEL PLATING 2µm MIN THICK.
- 12. PC BOARD SUPPLIER IS RESPONSIBLE FOR MAINTAINING ALL DIMENSIONS OF PC BOARD EDGE.
- 13 FLATNESS REQUIREMENT APPLIES FROM EDGE OF PC BOARD TO TOP OF KEY

ExpressModule LAYOUT (MATING PART ONLY)

A1, B17, B31, B48, B81	280	-
A1, B17, B31, B48, B81	164	16
A1, B17, B31, B48	98	8
A1, B17, B31	64	4
A1, B17	36	1
LAST MATE PINS	POS.	PORT

THIS DRAWING IS A CONTROLLED DOCUMENT FOR TYCO ELECTRONICS CORPORATION. IT IS SUBJECT TO CHANGE AND THE CONTROLLING ENGINEERING ORGANIZATION SHOULD BE CONTACTED FOR THE LATEST REVISION.

DWN	R. TREA	09SEP2004	Tyco Electronics Harrisburg, PA 17105-3608	
CHK	D. DEE BAUGH	09SEP2004		
APVD	D. DEE BAUGH	09SEP2004		
PRODUCT SPEC	-			
APPLICATION SPEC	-		NAME	PCI EXPRESS CARD EDGE CONNECTOR ASSEMBLY, RIGHT ANGLE, 5.8mm SLOT HEIGHT, THROUGH HOLE, ExpressModule TYPE
WEIGHT	-		SIZE	A2
RESTRICTED CUSTOMER	-		CAGE CODE	00779
			DRAWING NO	C-1761465
			RESTRICTED TO	
			SCALE	3:1
			SHEET	3 OF 3
			REV	D1

## X-ON Electronics

Largest Supplier of Electrical and Electronic Components

*Click to view similar products for [PCI Express/PCI Connectors](#) category:*

*Click to view products by [TE Connectivity](#) manufacturer:*

Other Similar products are found below :

[UEX220-6U](#) [10039755-10110TLF](#) [1-1871239-2](#) [2170560-2](#) [10125756-980000LF](#) [EB220-3U](#) [10061913-120PLF](#) [GPCP146400111HR](#)  
[205058-1001](#) [GPCP442628110HR](#) [GPCP446200120HR](#) [GPCP245400111HR](#) [10082378-10000TLF](#) [87715-9256](#) [MDT580M03001](#)  
[0877159107](#) [MDT580M01001](#) [10018783-11000MLF](#) [10018783-11101TLF](#) [10108777-10000ALF](#) [10141523-111T0LF](#) [10145445-10003MLF](#)  
[PSASF2130311TR](#) [PSASF3130411TR](#) [PSASF3130131TR](#) [7-1734774-7](#) [3-1761465-1](#) [10018784-10111TLF](#) [10039755-10111TLF](#) [10039755-](#)  
[10112TLF](#) [10018783-10211TLF](#) [10018784-10211TLF](#) [10018784-10212TLF](#) [1761465-2](#) [1871058-1](#) [5-1761465-4](#) [10018783-10200MLF](#)  
[10018783-10213TLF](#) [10018784-10210TLF](#) [10018784-11113TLF](#) [10025026-10001TLF](#) [5145154-8](#) [1871058-4](#) [2041119-2](#) [10018783-](#)  
[10212TLF](#) [10018784-10102TLF](#) [10018783-11200TLF](#) [SM3ZS067U215-NUT1-R2500](#) [10123371-001TRLF](#) [10018784-10110TLF](#)