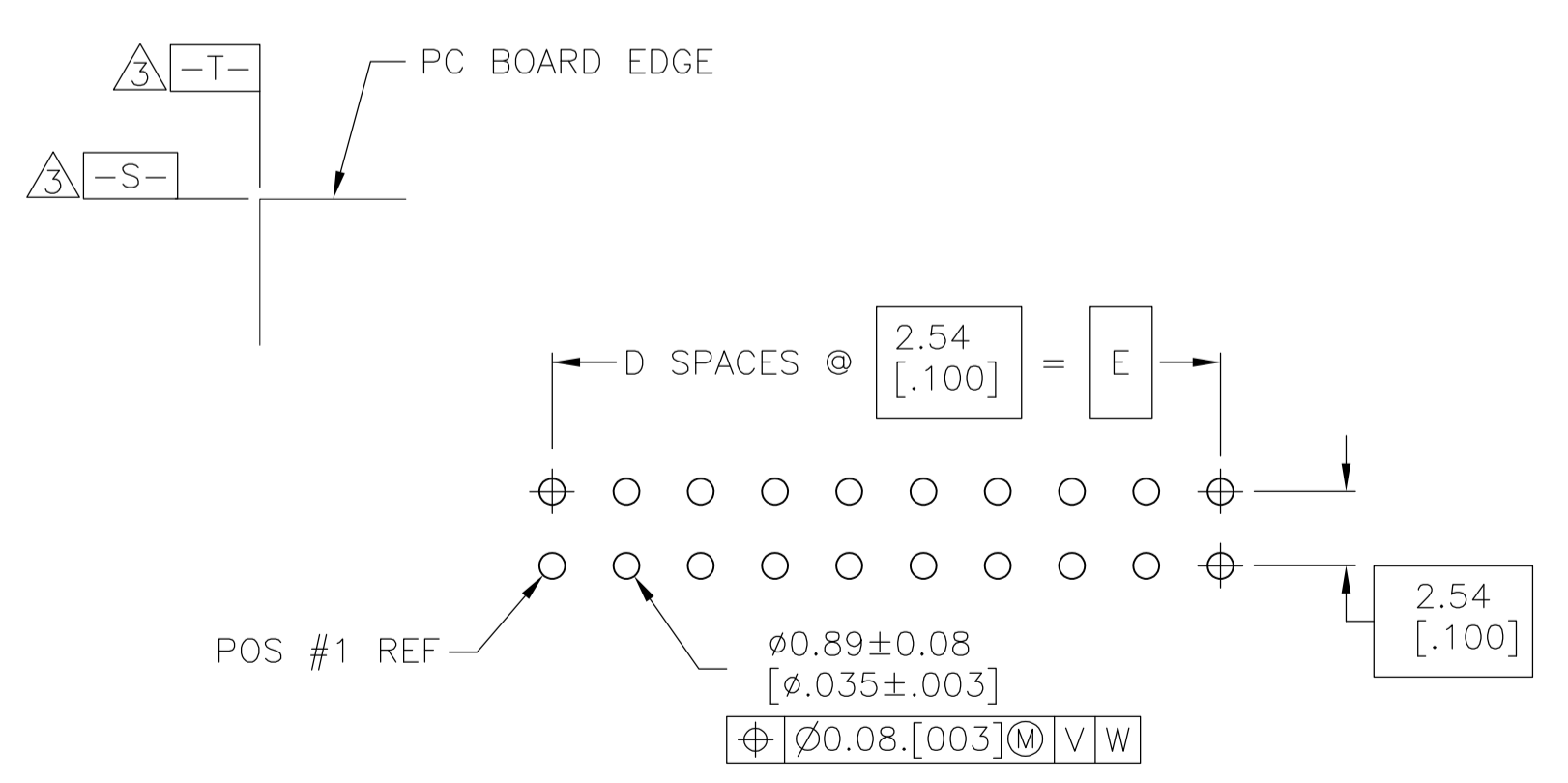
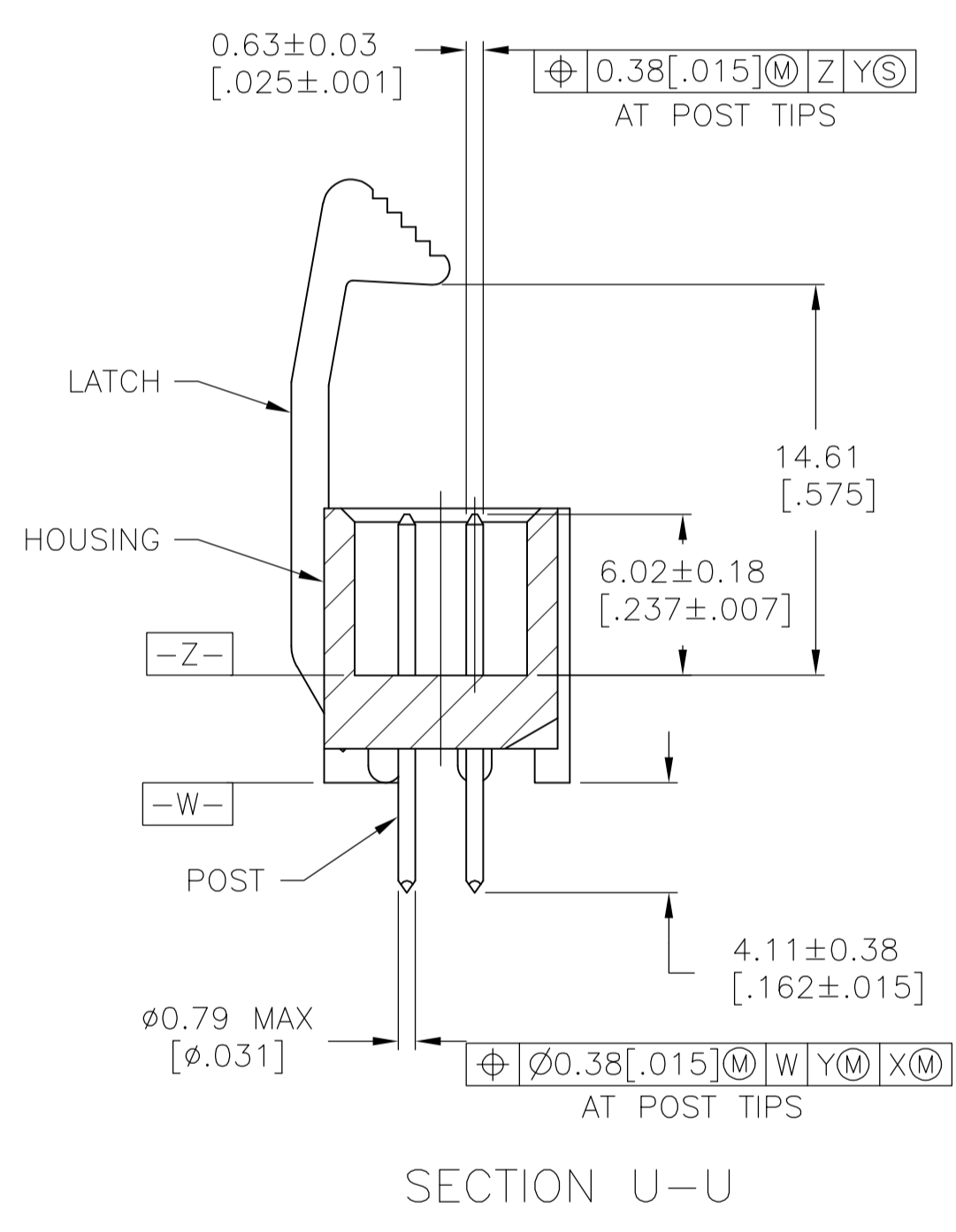
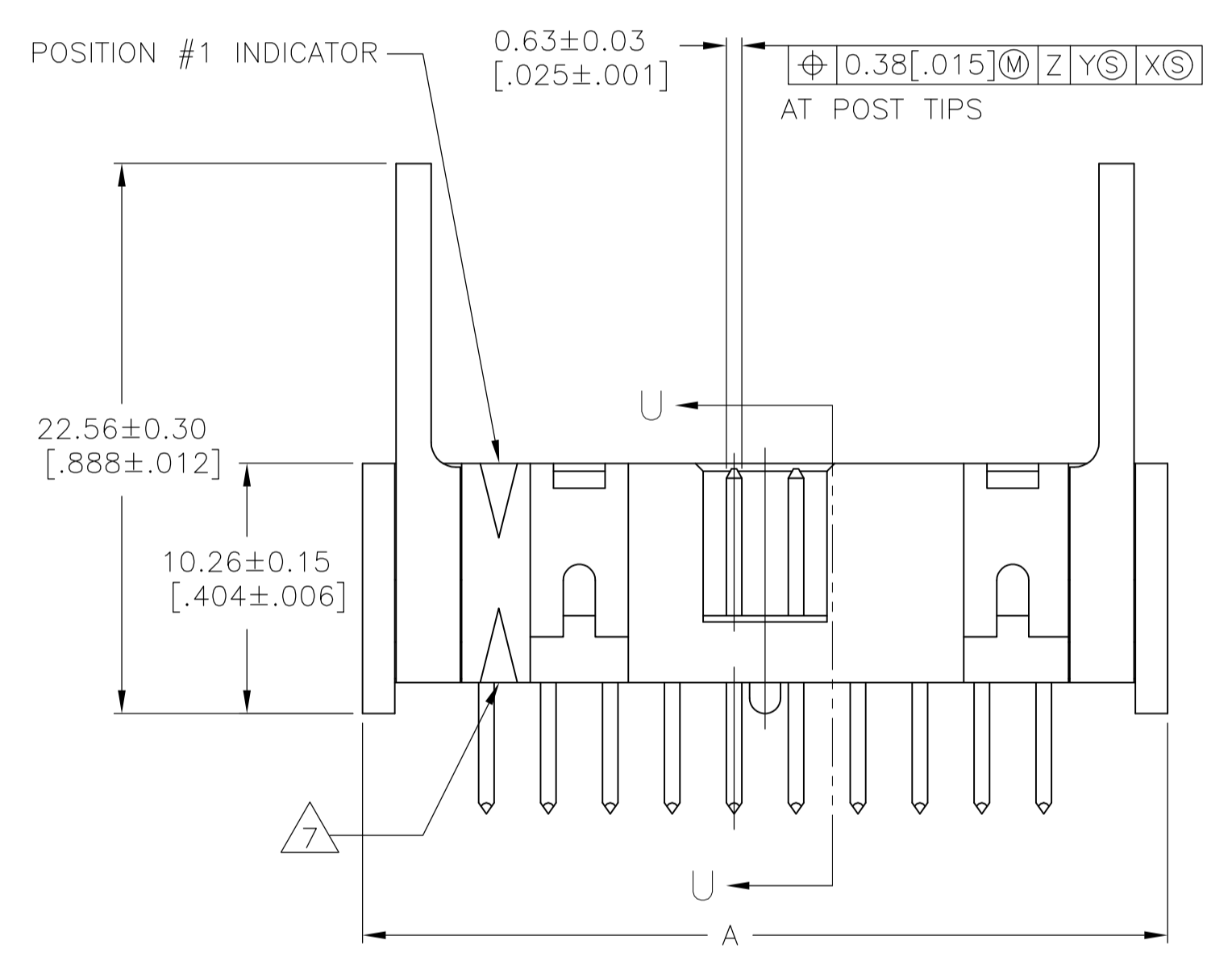




- ① HOUSING: PBT, UL94V-0, COLOR: BLUE.
POSTS: PHOSPHOR BRONZE.
LATCHES: ZINC ALLOY.
- ② POSTS: GOLD FLASH OVER PALLADIUM-NICKEL PLATE, 0.76 μm [.000030] MIN TOTAL ON MATING AREA, 2.54 μm [.000100] MIN TIN PLATE ON SOLDER-TAIL, ALL OVER 1.27 μm [.000050] MIN NICKEL UNDERPLATE ON ENTIRE POST.
OR
0.76 μm [.000030] MIN GOLD PLATE ON MATING AREA, 2.54 μm [.000100] MIN TIN PLATE ON THE SOLDER-TAIL, 1.27 μm [.000050] MIN NICKEL UNDERPLATE ON THE ENTIRE POST.
LATCHES: BLACK NICKEL OVER COPPER.
- ③ DATUMS S & T TO BE ESTABLISHED BY CUSTOMER.
- ④ NO KEYING SLOT ON THIS END FOR 6, 10, 12 & 14 POSITION ASSEMBLIES.
- ⑤ NO KEYING SLOT ON THIS END FOR 6 & 10 POSITION ASSEMBLIES.
- ⑥ NO STANDOFF FOR 6, 10, 12, 14 & 16 POSITION ASSEMBLIES.
- ⑦ ALTERNATE LOCATION/ORIENTAION FOR POSITION #1 INDICATOR.



RECOMMENDED PC BOARD LAYOUT (VIEWED FROM CONNECTOR SIDE)

	73.66	29	75.69	81.18	83.82	60	3-1761711-6
	[2.900]		[2.980]	[3.196]	[3.300]		
	60.96	24	62.99	68.48	71.12	50	3-1761711-5
	[2.400]		[2.480]	[2.696]	[2.800]		
	48.26	19	50.29	55.78	58.42	40	3-1761711-3
	[1.900]		[1.980]	[2.196]	[2.300]		
	40.64	16	42.67	48.16	50.80	34	3-1761711-1
	[1.600]		[1.680]	[1.896]	[2.000]		
OBSOLETE	30.48	12	32.51	38.00	40.64	26	2-1761711-9
	[1.200]		[1.280]	[1.496]	[1.600]		
	27.94	11	29.97	35.46	38.10	24	2-1761711-8
	[1.100]		[1.180]	[1.396]	[1.500]		
	22.86	9	24.89	30.38	33.02	20	2-1761711-7
	[.900]		[.980]	[1.196]	[1.300]		
OBSOLETE	17.78	7	19.81	25.30	27.94	16	2-1761711-6
	[.700]		[.780]	[.996]	[1.100]		
OBSOLETE	15.24	6	17.27	22.76	25.40	14	2-1761711-5
	[.600]		[.680]	[.896]	[1.000]		
	12.70	5	14.73	20.22	22.86	12	2-1761711-4
	[.500]		[.580]	[.796]	[.900]		
	10.16	4	12.19	17.68	20.32	10	2-1761711-3
	[.400]		[.480]	[.696]	[.800]		
	5.08	2	7.11	12.60	15.24	6	2-1761711-1
	[.200]		[.280]	[.496]	[.600]		
	E	D	C	B	A	NO OF POS	PART NUMBER

THIS DRAWING IS A CONTROLLED DOCUMENT. **STE** TE Connectivity

APPROVED: B. CRISAMORE/DJI, S. BOLASH, M. WALMSLEY

NAME: HEADER ASSEMBLY, LONG EJECT LATCH, VERTICAL, LOW PROFILE, IDC

PRODUCT SPEC: APPLICATION SPEC

SIZE: A1, CAGE CODE: 00779, DRAWING NO: 1761711

RESTRICTED TO: CUSTOMER DRAWING, SCALE: 4:1, SHEET: 1 OF 1, REV: E1

X-ON Electronics

Largest Supplier of Electrical and Electronic Components

Click to view similar products for [Headers & Wire Housings](#) category:

Click to view products by [TE Connectivity](#) manufacturer:

Other Similar products are found below :

[892-18-020-10-001101](#) [58102-G61-06LF](#) [582553-1](#) [0009485154](#) [009176003701906](#) [0050291907](#) [LY20-4P-DT1-P1E-BR](#) [02.125.8002.8](#)
[609-3404](#) [61062-3](#) [61082-181009](#) [622-3653LF](#) [63453-116](#) [636-1030](#) [636-1427](#) [636-3427](#) [636-4007](#) [641938-9](#) [641991-4](#) [644827-2](#) [65817-010LF](#) [65817-015LF](#) [65863-015LF](#) [66207-023LF](#) [67095-007LF](#) [67601157](#) [68645-018](#) [68648-049](#) [70.362.1628.0](#) [70-4210](#) [70-4226B](#) [70-4853B](#) [707-5020](#) [707-5028](#) [71.350.2428.0](#) [71918-208LF](#) [71961-016LF](#) [733-134](#) [733-162](#) [754199-000](#) [760-3052](#) [787-8014-00](#) [79531-3000](#)
[FCN-360C032-B](#) [FCN-367T-T012/H](#) [FCN-723D010/2](#) [80.063.4001.1](#) [800-90-001-10-001000](#) [800-90-010-10-002000](#) [801-43-002-10-013000](#)