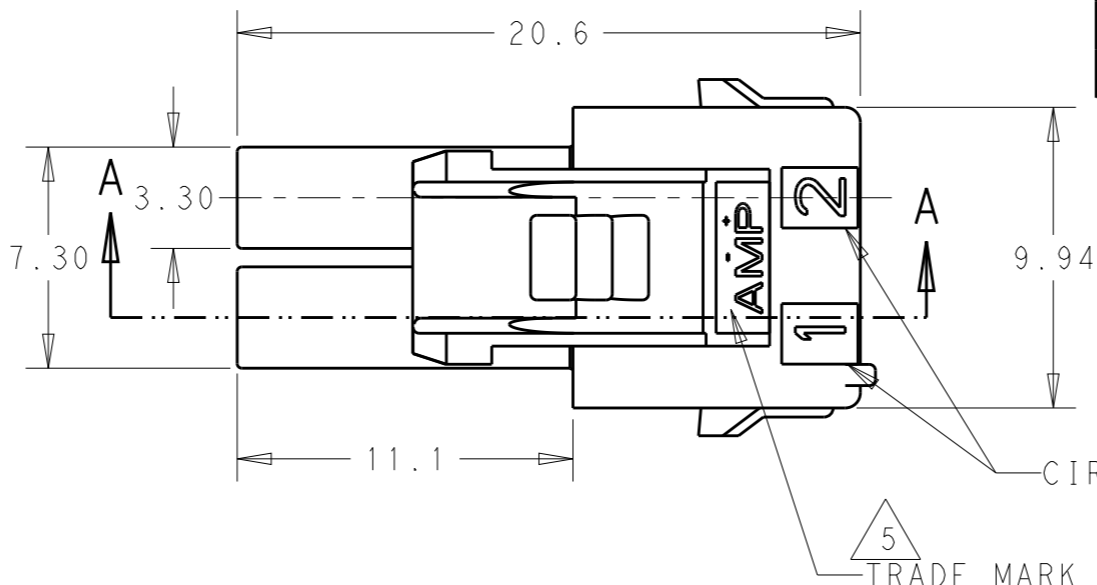


THIS DRAWING IS UNPUBLISHED. RELEASED FOR PUBLICATION 20
© COPYRIGHT 20 BY - ALL RIGHTS RESERVED.

REVISIONS

P	LTR	DESCRIPTION	DATE	DWN	APVD
E4		REVISED PER ECR ECR-19-017851	28NOV2019	SM	DZ
E5		REVISED PRE ECR-20-100583	19OCT2020	M.G	D.Z

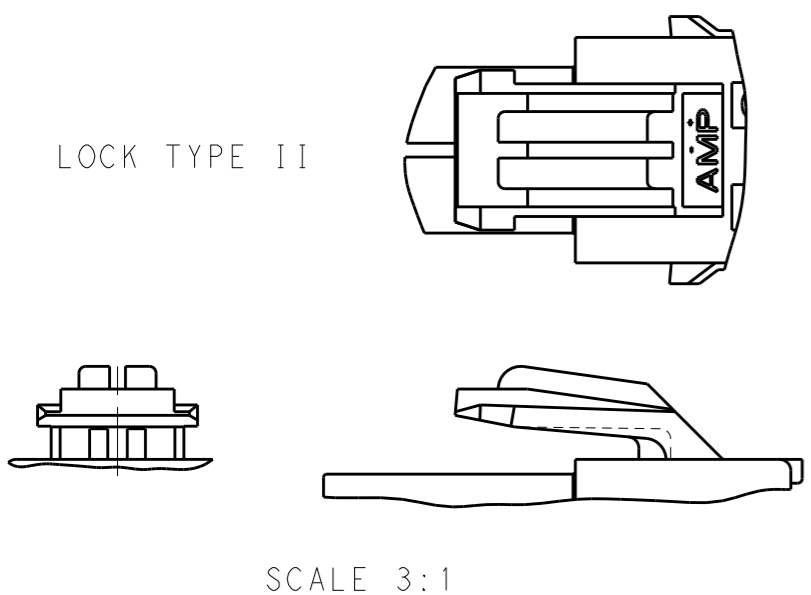
AS SHOWN LOCK TYPE I



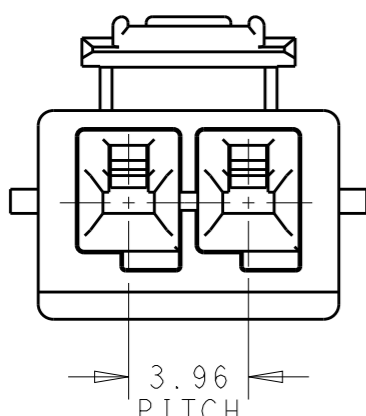
5 TABLE 1

TRADE MARK	MANUFACTURING LOCATION
- AMP OR AMP	JAPAN
- +AMP OR AMP	CHINA (PRC)
- AMP OR AMP	KOREA

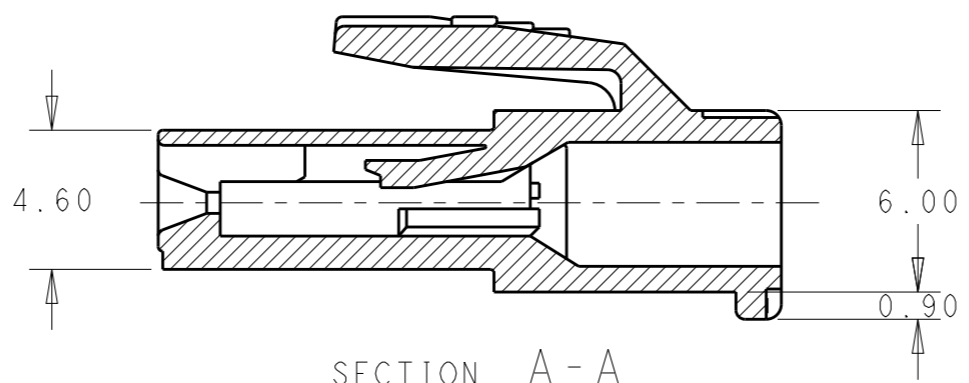
LOCK TYPE II



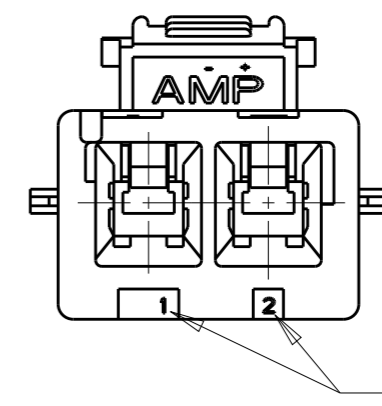
SCALE 3:1



3.96 PITCH



SECTION A-A




CIRCUIT NO.

NOTES:

- 1 APPLICABLE CONTACT P/N
REC CONTACT : 177915-□ (#20-#16 AWG)
177914-□ (#26-#22 AWG)
- 2 MATING CONN. P/N
CAP HSG : 177906-□ (PANEL MOUNT)
TAB CONTACT : 177917-□ (#20-#16 AWG)
177916-□ (#26-#22 AWG)
- 3 APPLICABLE PLATE P/N : 177918-□
- 4 INSTRUCTION SHEET : 411-5638
- 5 SEE TABLE 1
- 6 ALL PARTS MEET RTI ELECTRICAL RATING OF 105C ACCORDING TO UL1977.

7 PART 5-177898-1 COMPLY WITH GLOW WIRE REQUIREMENT FOR PARTS OF NON-METALLIC MATERIAL SUPPORTING A CURRENT-CARRYING CONNECTION DETAILED IN IEC 60335-1, SECTION 30 (GWT)

LOCK TYPE II	NATURAL	2	3-177898-1
LOCK TYPE I	NATURAL	2	5-177898-1
	BLACK	2	177898-9
	BLUE	2	177898-6
	GREEN	2	177898-5
	YELLOW	2	177898-4
	RED	2	177898-2
NATURAL	2	177898-1	
LOCK TYPE	HOUSING COLOR	POS	PART NUMBER

THIS DRAWING IS A CONTROLLED DOCUMENT.		DWN M. SUZUKI 09SEP1993	 TE Connectivity	
DIMENSIONS: mm		CHK M. SHINDO 09SEP1993		
TOLERANCES UNLESS OTHERWISE SPECIFIED:		APVD Y. KASHIWA 09SEP1993	NAME AMP POWER DBL LOCK CONN, 3.96mm PITCH 2 Pos PLUG HOUSING (SGL ROW)	
0 PLC ± 1 PLC ±0.25 2 PLC ±0.20 3 PLC ± 4 PLC ± ANGLES ±3°		PRODUCT SPEC 108-5410	SIZE A3	
MATERIAL 6/6 NYLON (UL 94V-0)		APPLICATION SPEC 114-5175	CAGE CODE 00779	DRAWING NO 177898
FINISH		WEIGHT	RESTRICTED TO	
		CUSTOMER DRAWING	SCALE 5:1	SHEET 1 OF 1
			REV E5	

X-ON Electronics

Largest Supplier of Electrical and Electronic Components

Click to view similar products for [Headers & Wire Housings](#) category:

Click to view products by [TE Connectivity](#) manufacturer:

Other Similar products are found below :

[95000-104TRLF](#) [10135584-644402LF](#) [DF62W-EP2022PCA](#) [95000-106TRLF](#) [DF62W-2022SCA](#) [DF62W-EP2022PC](#) [2203348](#) [DF62W-2022SC](#) [1084018](#) [1029039](#) [1084017](#) [802-10-012-10-002000](#) [1112640](#) [1112639](#) [000-34000](#) [0009482033](#) [0009507031](#) [57102-S06-03LF](#) [57202-S52-04LF](#) [PCN6-15S-2.5E](#) [0039019024](#) [58102-G61-06LF](#) [582553-1](#) [0009508121](#) [0050291907](#) [018731A](#) [LY20-4P-DT1-P1E-BR](#) [02.125.8002.8](#) [60101931](#) [60598-1 \(Cut Strip\)](#) [M1625-3R/100](#) [61062-3](#) [61082-181009](#) [636-1427](#) [638009-1](#) [641938-9](#) [641991-4](#) [644168-1](#) [647662-1](#) [65039-019ELF](#) [65817-002LF](#) [65817-015LF](#) [65863-015LF](#) [66207-023LF](#) [67016-026LF](#) [67046-001LF](#) [67095-007LF](#) [68002-116](#) [68016-236H](#) [68648-049](#)