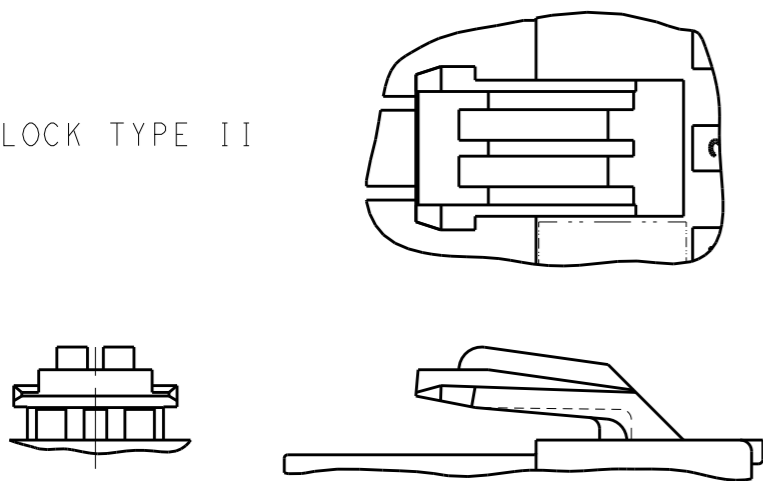


THIS DRAWING IS UNPUBLISHED. RELEASED FOR PUBLICATION 20  
© COPYRIGHT 20 BY - ALL RIGHTS RESERVED.

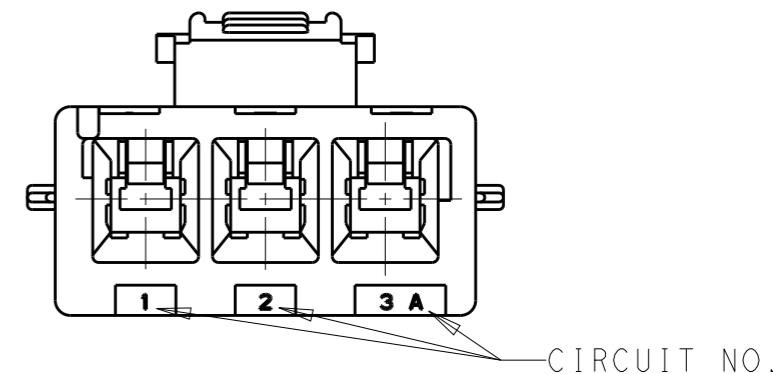
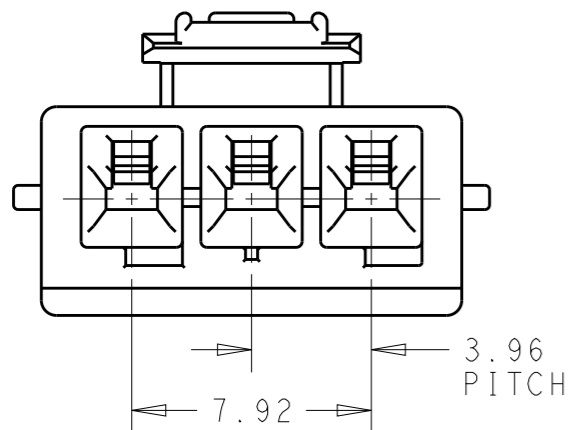
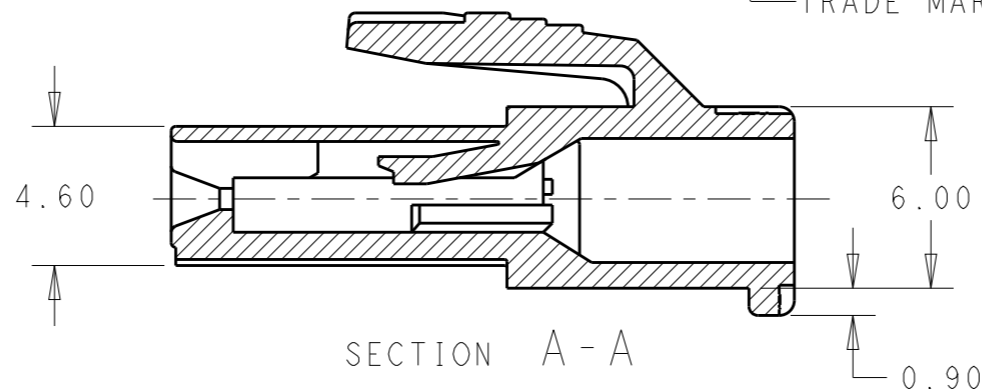
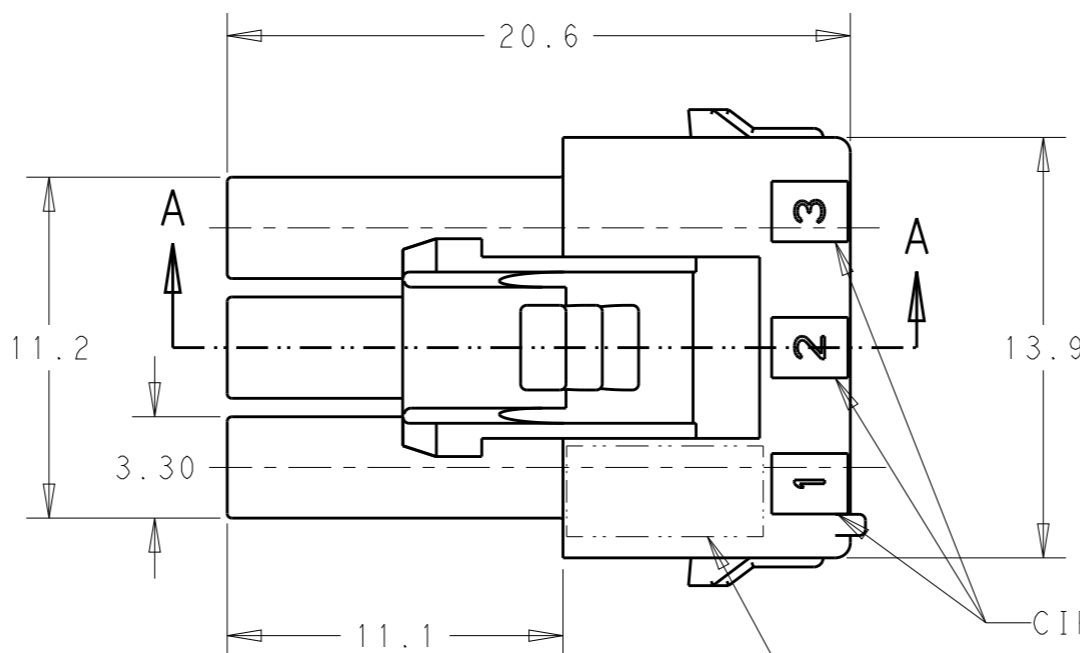
REVISIONS

| P | LTR | DESCRIPTION               | DATE      | DWN | APVD |
|---|-----|---------------------------|-----------|-----|------|
|   | E5  | REVISED PER ECR-19-003343 | 06MAR2019 | N.L | D.Z  |

LOCK TYPE II



SCALE 3:1



- 1 APPLICABLE CONTACT P/N  
REC CONTACT : 177915-X (AWG#20-#16)  
177914-X (AWG#26-#22)  
X-2232901-X(AWG#20-#16)  
X-2232902-X(AWG#26-#22)
- 2 MATING CONN. P/N  
CAP HSG : 177907-X (PANEL MOUNT)  
179464-X (FREE HANGING)  
  
TAB CONTACT : 177917-X (AWG#20-#16)  
177916-X (AWG#26-#22)

- 6 PART 5-177899-1 COMPLY WITH GLOW WIRE REQUIREMENT FOR PARTS OF NON-METALLIC MATERIAL SUPPORTING A CURRENT-CARRYING CONNECTION DETAILED IN IEC 60335-1, SECTION 30 (GWT)

- 3 APPLICABLE PLATE P/N : 177919-X
- 4 INSTRUCTION SHEET : 411-5638
- 5 ALL PARTS MEET RTI ELECTRICAL RATING OF 105°C ACCORDING TO UL1977.

|              |                  |              |                     |
|--------------|------------------|--------------|---------------------|
| LOCK TYPE II | BLUE             | 3            | 3-177899-6          |
|              | NATURAL          | 3            | 3-177899-1          |
| LOCK TYPE I  | NATURAL          | 3            | 5-177899-1          |
|              | <del>BLACK</del> | <del>3</del> | <del>177899-9</del> |
|              | BLUE             | 3            | 177899-6            |
|              | YELLOW           | 3            | 177899-4            |
|              | RED              | 3            | 177899-2            |
|              | NATURAL          | 3            | 177899-1            |
| LOCK TYPE    | HOUSING COLOR    | POS          | PART NUMBER         |

|  |  |                                |   |  |
|--|--|--------------------------------|---|--|
| THIS DRAWING IS A CONTROLLED DOCUMENT. |  | DWN<br>J. SATO<br>25OCT2007    | <b>STE</b> TE Connectivity  |  |
| DIMENSIONS:<br>mm                      |  | CHK<br>S. MANABE<br>25OCT2007  |   |  |
| TOLERANCES UNLESS OTHERWISE SPECIFIED: |  | APVD<br>S. MANABE<br>25OCT2007 | NAME<br>AMP POWER DOUBLE LOCK 3.96mm PITCH<br>3 POS PLUG HSG (SGL. ROW) |  |
| 0 PLC ±                                |  | PRODUCT SPEC<br>108-5410       | SIZE  |  |
| 1 PLC ±0.25                            |  | APPLICATION SPEC<br>114-5175   | CAGE CODE   |  |
| 2 PLC ±0.20                            |  | WEIGHT                         | DRAWING NO  |  |
| 3 PLC ±                                |  | RESTRICTED CUSTOMER            | A300779   |  |
| 4 PLC ±                                |  |                                | C=177899  |  |
| ANGLES ±3°                             |  |                                | RESTRICTED TO   |  |
| FINISH                                 |  |                                | SCALE N/A   |  |
|  |  |                                | SHEET 1 OF 1  |  |
|  |  |                                | REV E5  |  |

## X-ON Electronics

Largest Supplier of Electrical and Electronic Components

*Click to view similar products for [Heavy Duty Power Connectors](#) category:*

*Click to view products by [TE Connectivity](#) manufacturer:*

Other Similar products are found below :

[647757-1](#) [6643411-1](#) [6646058-2](#) [6646137-1](#) [6646138-1](#) [6646608-1](#) [6646786-1](#) [6646940-1](#) [6651091-1](#) [6651525-1](#) [6651529-1](#) [6651788-1](#)  
[696475-1](#) [702-32-01109](#) [703-25-02205](#) [73000005059](#) [73000005642](#) [73080254296](#) [73080255059](#) [73080965046](#) [765-15-0080A](#)  
[765-16-0080B](#) [765-18-0080D](#) [902-77-02113](#) [PS00/A0620/6300](#) [1221200000](#) [129-1J](#) [1409400](#) [E6374G1](#) [e6389g2](#) [157-43GW8](#) [MS3117-](#)  
[14AC](#) [1643543-1](#) [1650540-1](#) [1651811-2](#) [1766260-1](#) [1766282-1](#) [1766966-1](#) [1791340000](#) [NLDFT-3-BL-L-S120-M40A](#) [NLDFT-N-W-L-](#)  
[C240-M40B](#) [1926015-1](#) [NLS-N-W-C240-M40B](#) [2-1589900-8](#) [2199314-1](#) [KA8102](#) [9300480317](#) [29131](#) [294-0091-01100](#) [296-0040-01100](#)