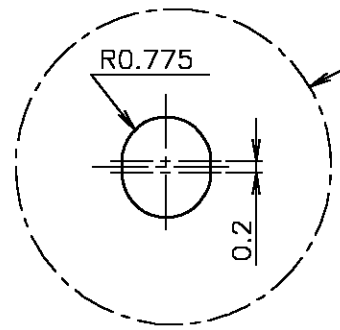
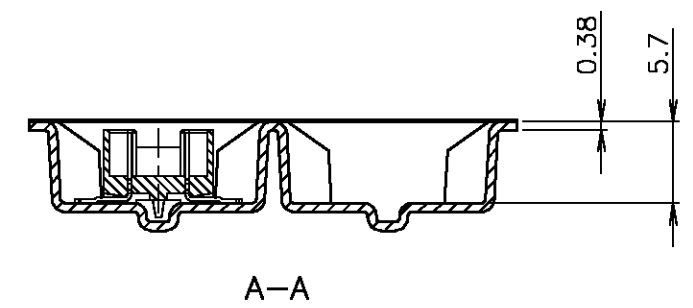
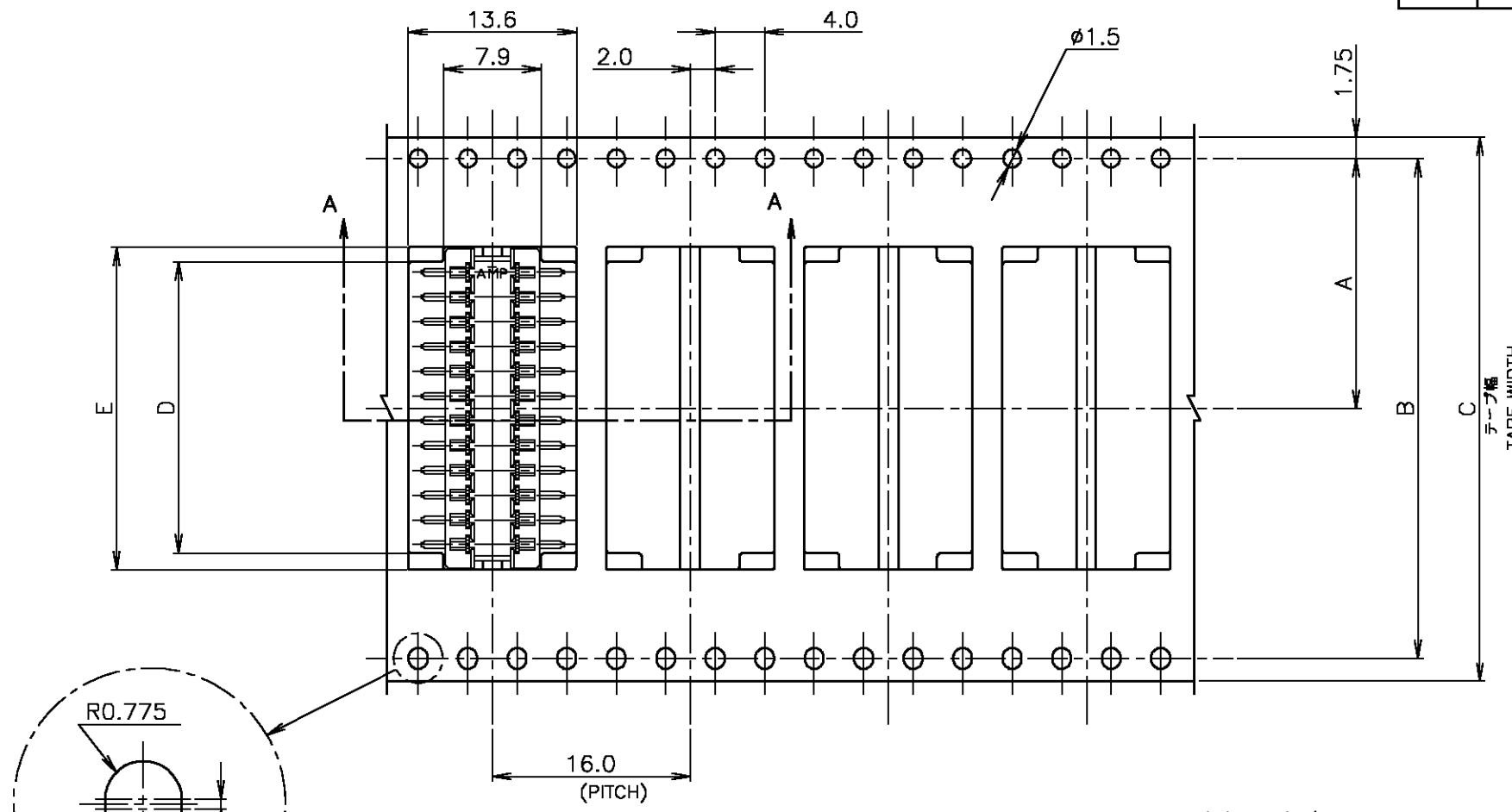


THIS DRAWING IS UNPUBLISHED. RELEASED FOR PUBLICATION
 © COPYRIGHT BY TYCO ELECTRONICS CORPORATION. ALL RIGHTS RESERVED.

LOC	DIST	REVISIONS					
J		P	LTR	DESCRIPTION	DATE	DWN	APVD
		F		REVISED FJBO-0346-03	28APR03	T.K	Y.Y

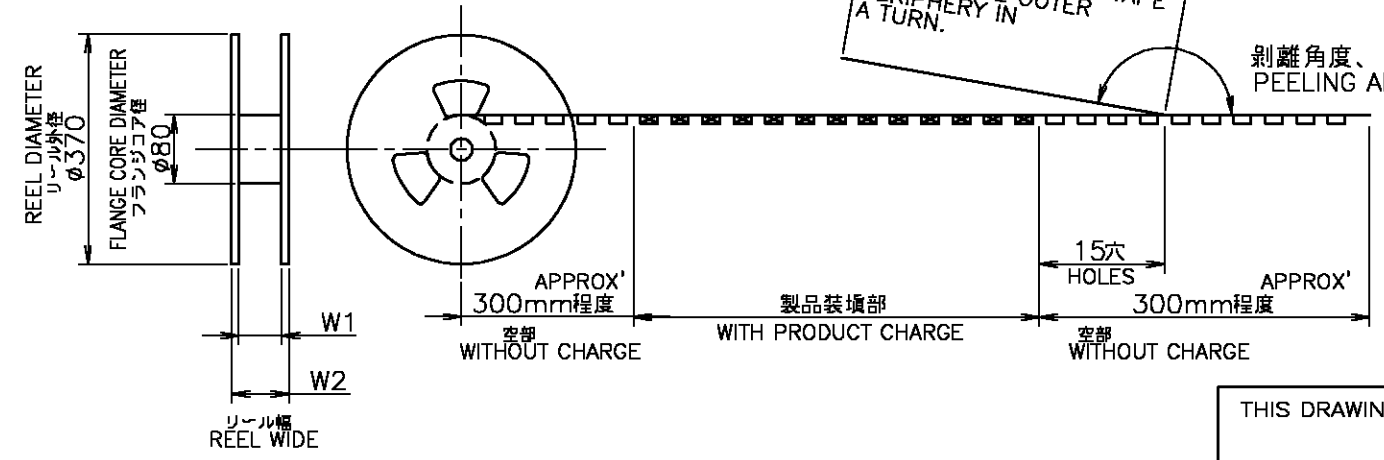


引出し方向
TOP OF REEL →

注記
1.リセコンタクト仕上げ:ニッケル下地 錫めっき

注記
1.REC CONTACT FINISH :
TIN PLATING, Ni UNDER PL. ALL OVER

カバーテープ
リーダー部
外周一巻
WEEDING THE COVER TAPE
AROUND THE OUTER
PERIPHERY IN
A TURN.
剥離角度、165° ~ 180°
PEELING ANGLE.



49.5	45.5	32.1	29.6	44	40.4	20.2	800	30	3-179395-0	3-179437-0
49.5	45.5	32.1	29.6	44	40.4	20.2	800	22	2-179395-2	2-179437-2
29.5	25.5	8.1	5.6	24	---	11.5	800	6	179395-6	179437-6
W2	W1	E	D	C	B	A	数量 (ヶ) QTY/REEL	極数 Pos.	コネクタ型番 (バラ状) CONNECTOR P/N (L/P)	リール巻 コネクタ型番 TAPING P/N

THIS DRAWING IS A CONTROLLED DOCUMENT.

DWN	K.SAKAWA	24JAN94		Tyco Electronics AMP K.K. Kawasaki, Japan
CHK	S.KUBOUCHI	24JAN94		
APVD	S.KUBOUCHI	16JUN95		
PRODUCT SPEC			NAME	
APPLICATION SPEC			2.0 A-F CONN. REC ASSEMBLY (V-TYPE) ON TAPING	
WEIGHT			SIZE	CAGE CODE
CUSTOMER DRAWING			A3 00779 C-179437	
SCALE			SHEET	REV
NTS			1 OF 1	F

DIMENSIONS:	TOLERANCES UNLESS OTHERWISE SPECIFIED:
MM	0-PLC ± 1-PLC ± 2-PLC ± 10% MAX 300T ±0.25 3-PLC ± 30% MAX 1000T ±0.3 4-PLC ± ANGLES ±
MATERIAL	FINISH
---	---

X-ON Electronics

Largest Supplier of Electrical and Electronic Components

Click to view similar products for [Board to Board & Mezzanine Connectors](#) category:

Click to view products by [TE Connectivity](#) manufacturer:

Other Similar products are found below :

[589158040000018](#) [MDF7C-18P-2.54DSA\(55\)](#) [FCN-230C068-11](#) [FCN-268F012-G/BD](#) [FCN-268F036-G/BD](#) [FCN-268M012-G/0D](#) [FCN-268M024-G/1D](#) [FCN-723J004/1](#) [MIS-048-01-F-D-DP-K](#) [832-10-034-10-001000](#) [FX4C-80S-1.27DSA](#) [FCN-214Q030-G/0](#) [FCN-234P048-G/0](#) [FCN-235D050-G/C](#) [210-93-314-41-105000](#) [2-22603-0](#) [MDF7-40DP-2.54DSA\(55\)](#) [AXG720047](#) [5031084030](#) [MIT-114-03-F-D-K](#) [55323-1519](#) [DF33-2P-3.3DSA\(24\)](#) [YFT-20-05-H-03-SB-K](#) [503308-3040](#) [026-6203-PDB](#) [027-6203-PDB](#) [069159702701000](#) [10123981-102LF](#) [101A10019X](#) [55650-0588-C](#) [68682-310LF](#) [68684-306](#) [75140-7012](#) [87471-650](#) [YTW-30-07-H-Q-410-140](#) [194261-1](#) [FCN-268F024-G0D](#) [10124054-515LF](#) [68685-603](#) [8-1616154-3](#) [MIS-019-01-F-D](#) [FCN-268M024-G/3D](#) [20021832-06016C1LF](#) [KX15-20KLDL-E1000E](#) [MDF7-16DP-2.54DSA\(55\)](#) [AXE810124](#) [FCN-214J100-G/0](#) [FCN-230C068-E/S](#) [AXE812124](#) [AXE816124](#)