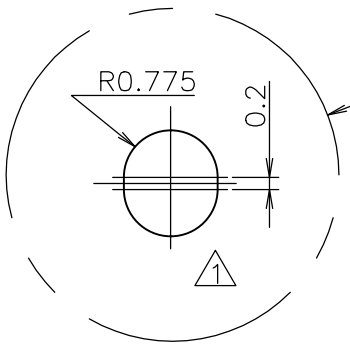
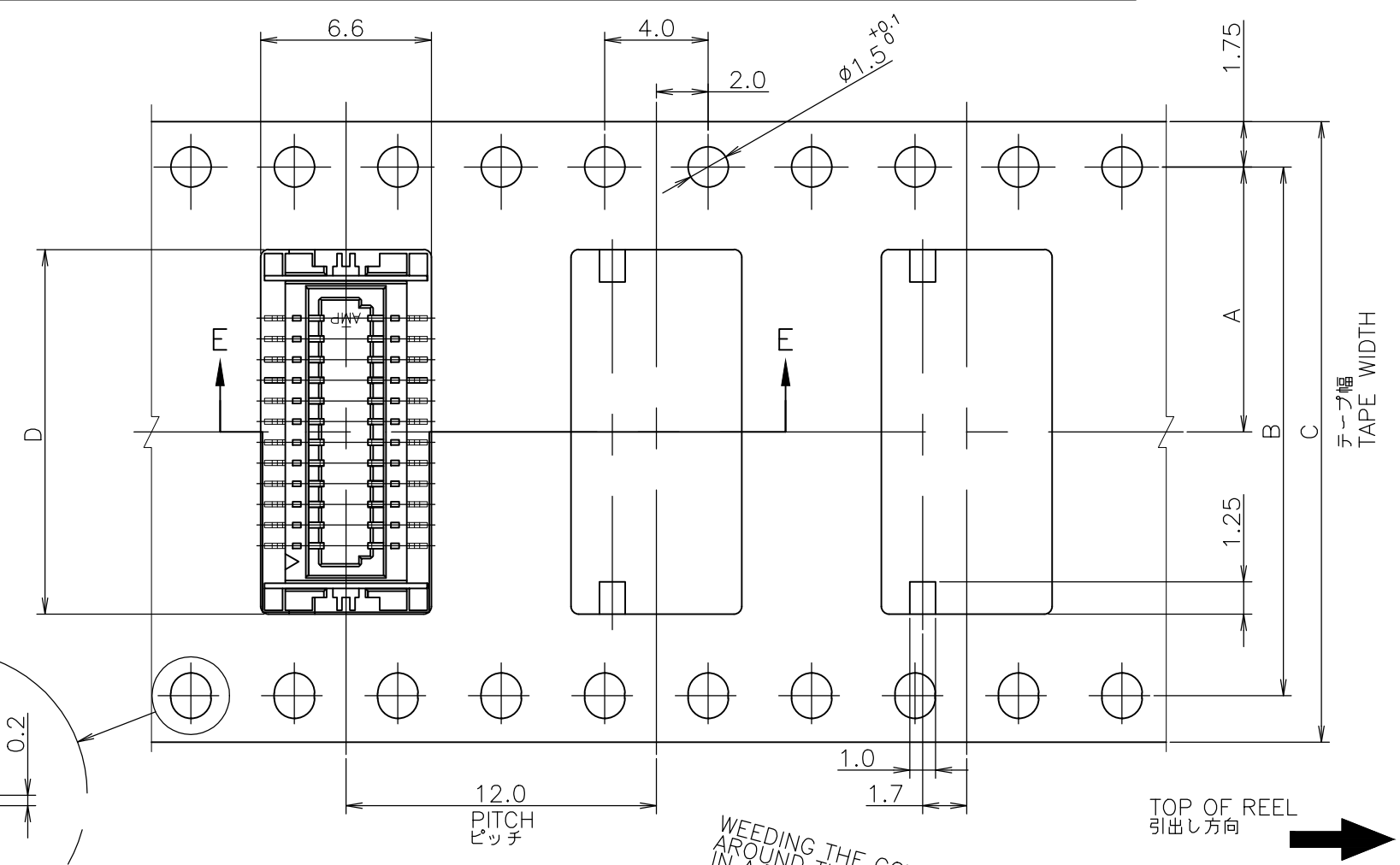
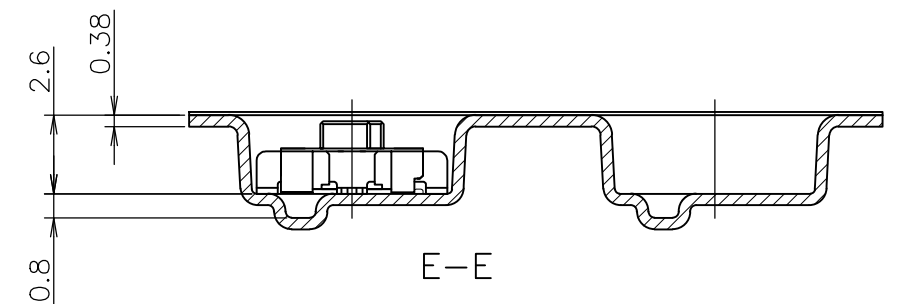


THIS DRAWING IS UNPUBLISHED. RELEASED FOR PUBLICATION .FEB 1995
 © COPYRIGHT 1995 TE Connectivity Ltd. ALL RIGHTS RESERVED.

REVISIONS 変更					
P	LTR	DESCRIPTION	DATE	DWN	APVD
	B	REVISED PER ECO-18-011678	20JUL18	R.L	H.L

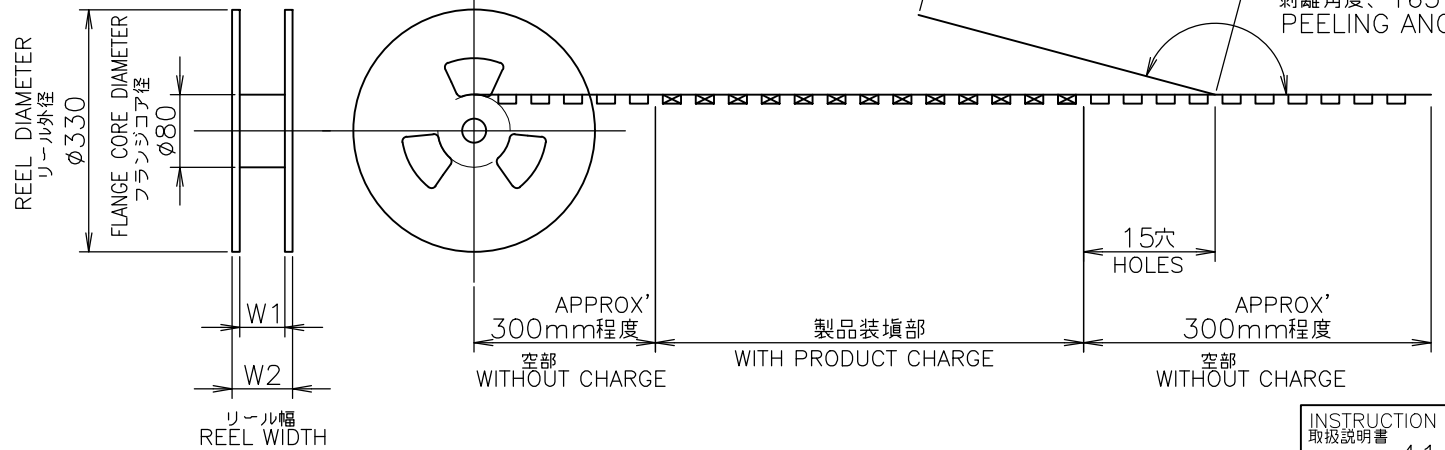


- ⚠ 指示穴は40極品のみ適用。
- ⚠ THESE HOLES ARE APPLIED TO 40 Pos. ONLY.
- ⚠ OBSOLETE PARTS: OBSOLETE CIS STREAMLINING PER D.RENAUD/D.SINISI



鉛フリー
LEAD FREE

WEEDING THE COVER TAPE
AROUND THE OUTER PERIPHERY
IN A TURN.
カバーテープ
リーダー部
外周一巻
剥離角度、165°~180°
PEELING ANGLE.



W2	W1	D	C	B	A	数量 (ヶ)	極数 POS	コネクタ型番 (バラ状) CONNECTOR P/N (L/P)	リール巻 コネクタ型番 TAPING P/N
37.5	33.5	20.5	32	28.4	14.2	↑	40	4- ↑ -0	-4 ↑ -0
↑	↑	16.5	↑	↑	↑	↑	30	3- ↑ -0	3- ↑ -0
29.5	25.5	14.1	24	↑	11.5	↑	24	2- ↑ -4	2- ↑ -4
↑	↑	10.9	↑	↑	↑	↑	16	1- ↑ -6	1- ↑ -6
21.5	17.5	10.1	16	↑	7.5	1500	14	1-179698-4	1-179702-4

INSTRUCTION SHEET
取扱説明書 411-5654

THIS DRAWING IS A CONTROLLED DOCUMENT.		DWN Y.NAKAZAWA 15FEB95	TE Connectivity Ltd.	
DIMENSIONS: 単位: 耗 mm		CHK K.ASAKAWA 20FEB95		
TOLERANCES UNLESS OTHERWISE SPECIFIED: 一般公差		APVD S.KUBOUCHI 21FEB95	NAME エンボス詰 プラグ・アッセンブリ PLUG ASSEMBLY WITHOUT BOSS 0.8mm 0.8mm PITCH B-T-B CONNECTOR (MATING HEIGHT 3mm)	
0 PLC ± 0.2 1 PLC ± 0.2 2 PLC ± 0.2 3 PLC ± 0.2 4 PLC ± 0.2 ANGLES ± 3°		PRODUCT SPEC 製品規格 108-5424	SIZE A3	
MATERIAL 材料		APPLICATION SPEC 取付適用規格	CAGE CODE 00779	DRAWING NO C-179702
FINISH 仕上		WEIGHT 0.000000	RESTRICTED TO -	
CUSTOMER DRAWING		SCALE 尺度 4:1		SHEET 1 OF 1
				REV B

X-ON Electronics

Largest Supplier of Electrical and Electronic Components

Click to view similar products for [Board to Board & Mezzanine Connectors](#) category:

Click to view products by [TE Connectivity](#) manufacturer:

Other Similar products are found below :

[10135583-642402LF](#) [89885-310LF](#) [589158040000018](#) [6-1393048-0](#) [68683-613](#) [MDF7-12DP-2.54DSA](#) [MDF7-18P-2.54DSA\(01\)](#) [MDF7-20DP-2.54DSA](#) [MDF7-26D-2.54DSA\(55\)](#) [MDF7-3P-2.54DSA\(01\)](#) [MDF7B-20P-2.54DSA\(01\)](#) [MDF7B-3P-2.54DSA\(55\)](#) [MDF7C-18P-2.54DSA\(55\)](#) [MDF7P-5P-2.54DSA\(55\)](#) [75234-0516](#) [FCN-230C068-11](#) [FCN-268F012-G/BD](#) [FCN-268F036-G/BD](#) [FCN-268M012-G/0D](#) [FCN-268M024-G/1D](#) [FCN-360C008-C](#) [FCN-723J004/1](#) [MIS-048-01-F-D-DP-K](#) [832-10-034-10-001000](#) [93696-325LF](#) [11828-1FA](#) [AXK630345P](#) [18097-0013](#) [2007042-2](#) [304400-2](#) [FCN-214Q030-G/0](#) [FCN-215Q040-G/0](#) [FCN-230C068-ESA](#) [FCN-234P048-G/0](#) [FCN-235D050-G/C](#) [FCN-360A3](#) [FCN-360C040-B](#) [210-93-314-41-105000](#) [2-22603-0](#) [379-064-521-202](#) [MDF7-12P-2.54DSA\(01\)](#) [MDF7-16P-2.54DS\(56\)](#) [MDF7-16P-2.54DSA\(55\)](#) [MDF7-40DP-2.54DSA\(55\)](#) [MDF7-8P-2.54DSA\(55\)](#) [AXG720047](#) [5031084030](#) [55323-1519](#) [DF33-2P-3.3DSA\(24\)](#) [DF33-2S-3.3C](#)