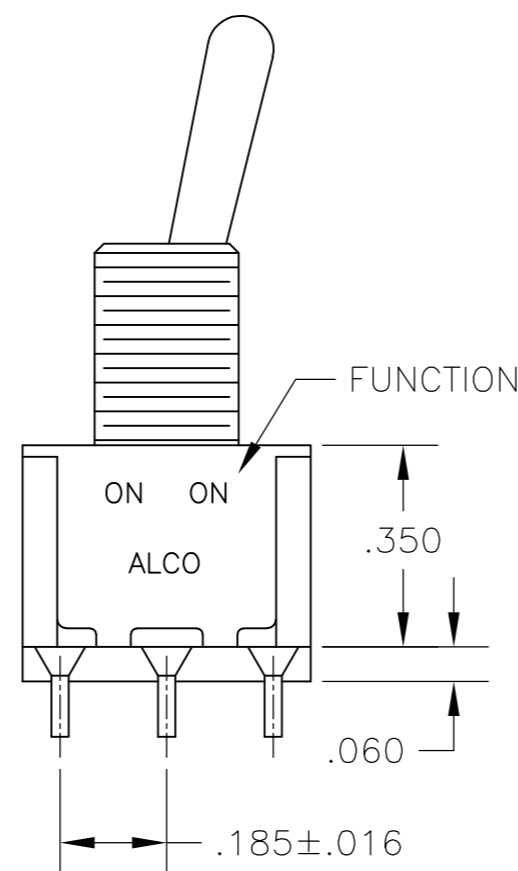
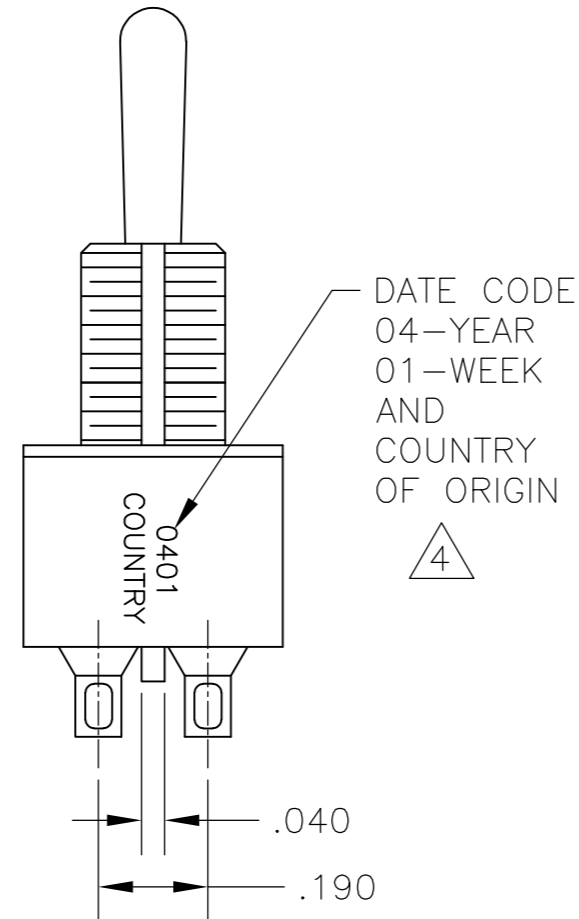
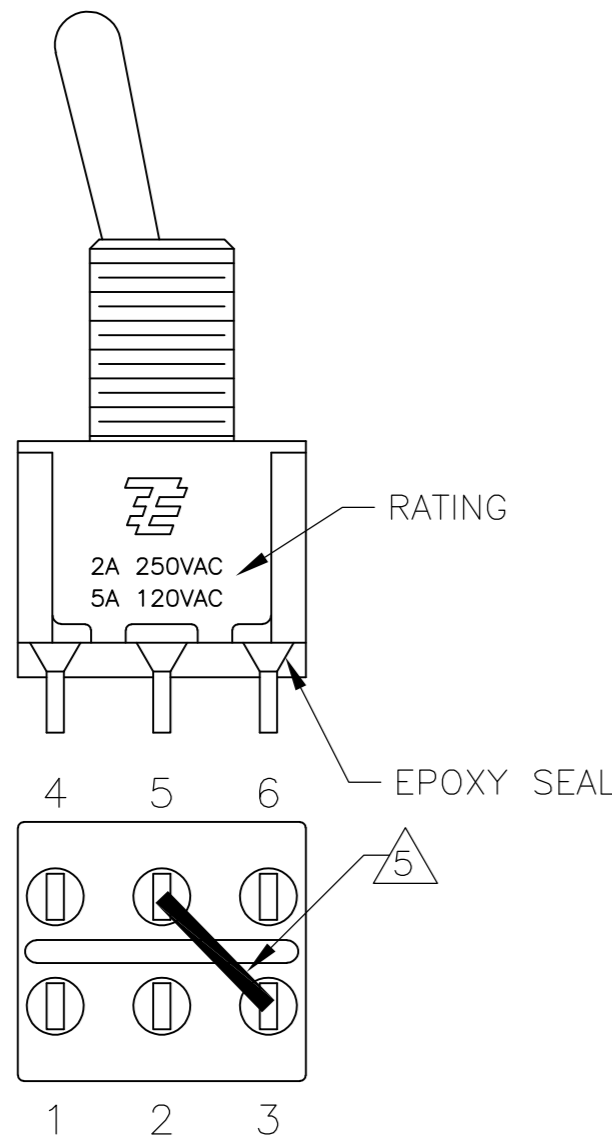
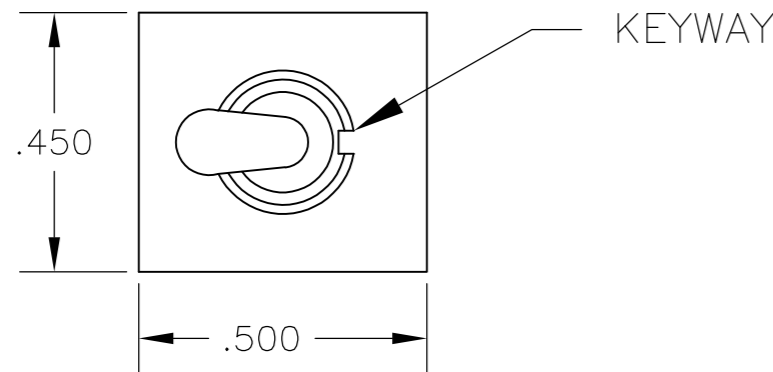


THIS DRAWING IS UNPUBLISHED. RELEASED FOR PUBLICATION
 © COPYRIGHT - By - ALL RIGHTS RESERVED.

| REVISIONS | | | | | |
|-----------|-----|---------------------------|-----------|-----|------|
| P | LTR | DESCRIPTION | DATE | DWN | APVD |
| A5 | | REVISED PER ECO-17-001328 | 02FEB2017 | RK | SS |



- ALL MATERIALS AND FINISHES SHALL COMPLY WITH EU DIRECTIVE 2002/95/EC OF 27JAN2003 (ROHS).
 - EACH SWITCH WITH THREADED BUSHINGS SUPPLIED WITH THE FOLLWING MOUNTING HARDWARE:
 (2) HEX NUTS
 (1) INTERNAL TOOTH LOCKWASHER
 (1) LOCATING RING.
 - G CONTACT OPTION CAN BE USED FOR SIGNAL OR POWER LEVEL SWITCHING. IF SWITCH IS USED AT LEVELS EXCEEDING .4VA @ 20V AC/DC, SWITCH IS RENDERED FOR POWER SWITCHING ONLY DUE TO ARC REMOVAL OF GOLD PLATING. RATING MARKED ON FRAME IS 2A 250VAC, 5A 120VAC.
- △4 DATE CODE AND COUNTRY OF ORIGIN MAY APPEAR ON EITHER SIDE OF SWITCH.
 △5 SP3T FUNCTION ACHIEVED WITH FUNCTIONS 11, 13 & 15 BY CUSTOMER APPLIED JUMPER BETWEEN TERMINALS 3 AND 5.
 △6 LENGTH OF TOGGLE REDUCED BY .020 WITH A, AV2, V30 OR V40 VERTICAL SUPPORT BRACKET.
 7 ALL LOGO, RATING, DATE CODE, AND FUNCTION MARKINGS TO BE LASER MARKED.

SPECIFICATIONS CHART

| | |
|---------------------------------|---|
| RATING, B CONTACTS | .4VA MAX @20V MAX. AC OR DC |
| RATING, G CONTACTS—SEE NOTE 3 | .4VA MAX @20V MAX. AC OR DC OR 5A @120 VAC OR 28 VDC (RESISTIVE) |
| | 2A @250 VAC (RESISTIVE) |
| RATING, Q CONTACTS | 5A @120 VAC OR 28 VDC (RESISTIVE) |
| | 2A @250 VAC (RESISTIVE) |
| ELECTRICAL LIFE | 6,000 CYCLES AT RATED LOAD |
| CONTACT RESISTANCE | 10 MILLIOHMS MAX INITIAL @ 2-4VDC, 100ma |
| INSULATION RESISTANCE | 1,000 MEGOHMS MIN |
| DIELECTRIC WITHSTANDING VOLTAGE | 1,000 V RMS AT SEA LEVEL |
| OPERATING TEMPRATURE | -30C TO 85C |

| FUNCTION CHART | | | |
|--|-------------------------|-------------------------|-------------------------|
| FUNCTION | 1 2 3 4 5 6 | 1 2 3 4 5 6 | 1 2 3 4 5 6 |
| 03 | ON | OFF | ON |
| 05 | (ON) | OFF | (ON) |
| 07 | ON | OFF | (ON) |
| TERMINALS CONNECTED | 2-3, 5-6 | --- | 1-2, 4-5 |
| 11 | ON | ON | ON |
| 13 | ON | ON | (ON) |
| 15 | (ON) | ON | (ON) |
| TERMINALS CONNECTED | 2-3, 5-6 | 2-3, 4-5 | 1-2, 4-5 |
| SP3T SCHEMATIC (11, 13 & 15 ONLY) SEE NOTE 5 | 6 • 3 5 • 2 4 • 1 | 6 • 3 5 • 2 4 • 1 | 6 • 3 5 • 2 4 • 1 |
| | IN 2, OUT 6 | IN 2, OUT 4 | IN 2, OUT 1 |
| None: No mechanical position Off: Mechanical position with no electrical connection (On): Momentary action | | | |

PART NUMBER SEQUENCE CHART

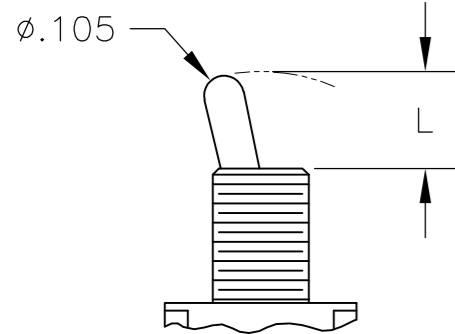
| MODEL | FUNCTION | TOGGLE | BUSHING | TERMINAL | CONTACT | RoHS |
|-------|----------|--------|---------|----------|---------|------|
| A2 | 03 | K | CW | A | B | 04 |
| | 05 | K1 | D | AV2 | G | |
| | 07 | L | D9 | C | Q | |
| | 11 | L1 | H | V30 | | |
| | 13 | L2 | Y | V40 | | |
| | 15 | M | Y9 | V70 | | |
| | | P3 | | W | | |
| | | S | | W4 | | |
| | | T | | Z | | |
| | | T1 | | Z3 | | |

EXAMPLE: A207SYZQ04

| | | | | | | |
|--|--|----------------------|--------------|--|-----------------|----------------------|
| THIS DRAWING IS A CONTROLLED DOCUMENT. | | DWN M. ZITTO 18MAY05 | | | TE Connectivity | |
| DIMENSIONS: INCHES | | CHK M. ZITTO | | | NAME | |
| TOLERANCES UNLESS OTHERWISE SPECIFIED: | | APVD M. ZITTO | PRODUCT SPEC | | - | |
| 0 PLC ± - | | APPLICATION SPEC | - | | - | |
| 1 PLC ± - | | WEIGHT 0 | SIZE A2 | | CAGE CODE 00779 | DRAWING NO C=1825139 |
| 2 PLC ± - | | CUSTOMER DRAWING | SCALE 3:1 | | SHEET 1 of 4 | REV A5 |
| 3 PLC ± .010 | | | | | | |
| 4 PLC ± - | | | | | | |
| ANGLES ± 2° | | | | | | |
| FINISH - | | | | | | |

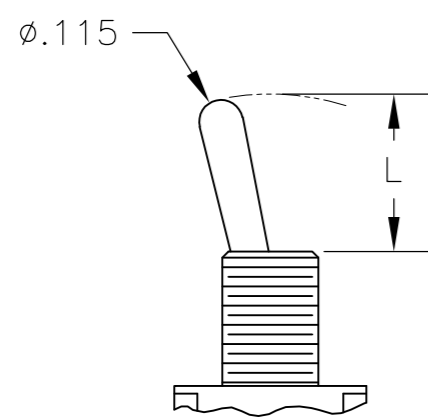
THIS DRAWING IS UNPUBLISHED. RELEASED FOR PUBLICATION. © COPYRIGHT - By - ALL RIGHTS RESERVED.

TOGGLES



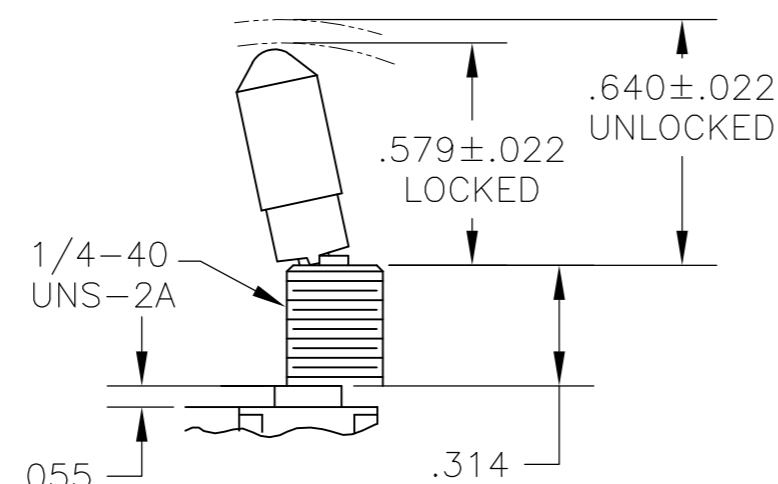
M SHORT

| DIM L | BUSHING TYPE |
|-------|--------------|
| .200 | Y, H |
| .270 | D, D9 |



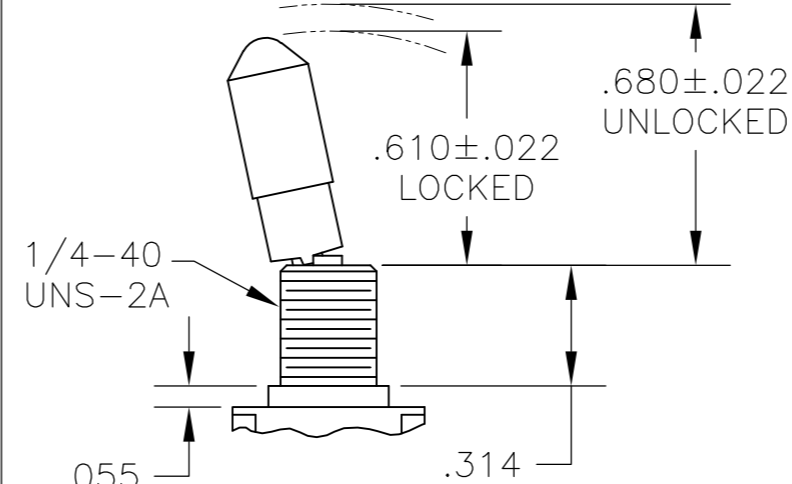
S STANDARD

| DIM L | BUSHING TYPE |
|-------|--------------|
| .410 | Y, H |
| .480 | D, D9 |



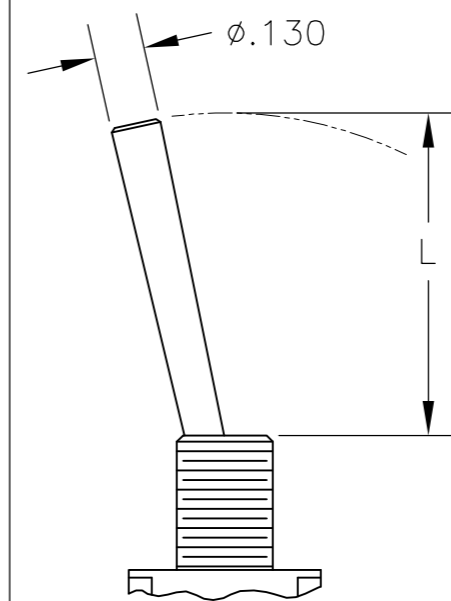
K

NO BUSHING OPTION NEEDED



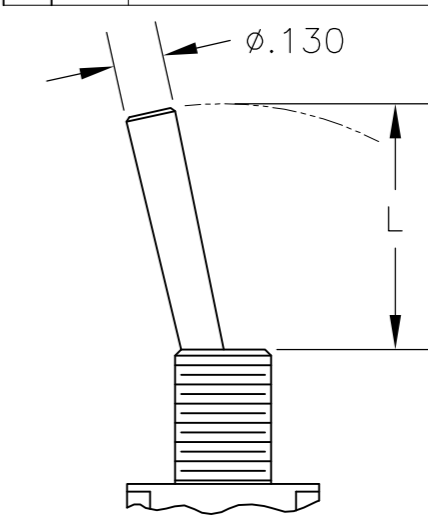
K1

NO BUSHING OPTION NEEDED



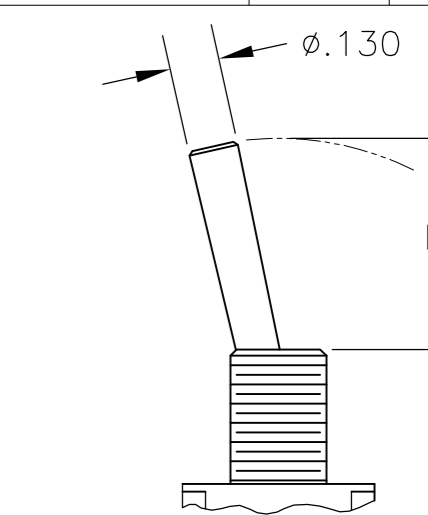
L LEVER

| DIM L | BUSHING TYPE |
|-------|--------------|
| .840 | Y, H |
| .910 | D, D9 |



L1 LEVER

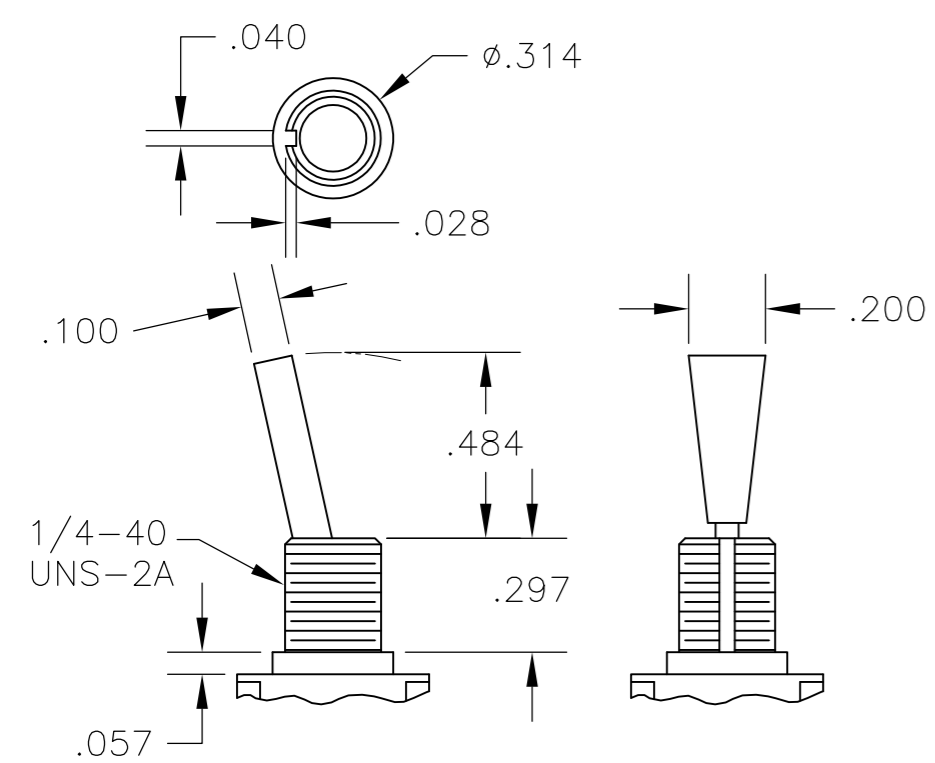
| DIM L | BUSHING TYPE |
|-------|--------------|
| .640 | Y, H |
| .710 | D, D9 |



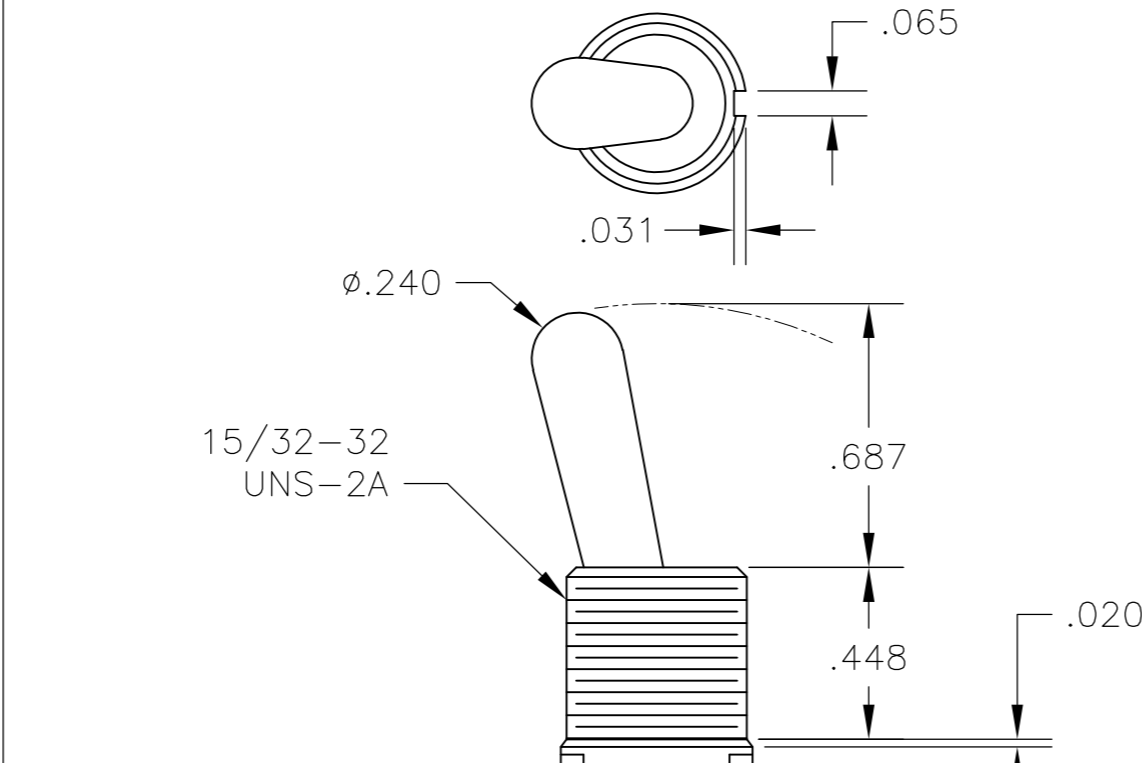
L2 LEVER

| DIM L | BUSHING TYPE |
|-------|--------------|
| .550 | Y, H |
| .620 | D, D9 |

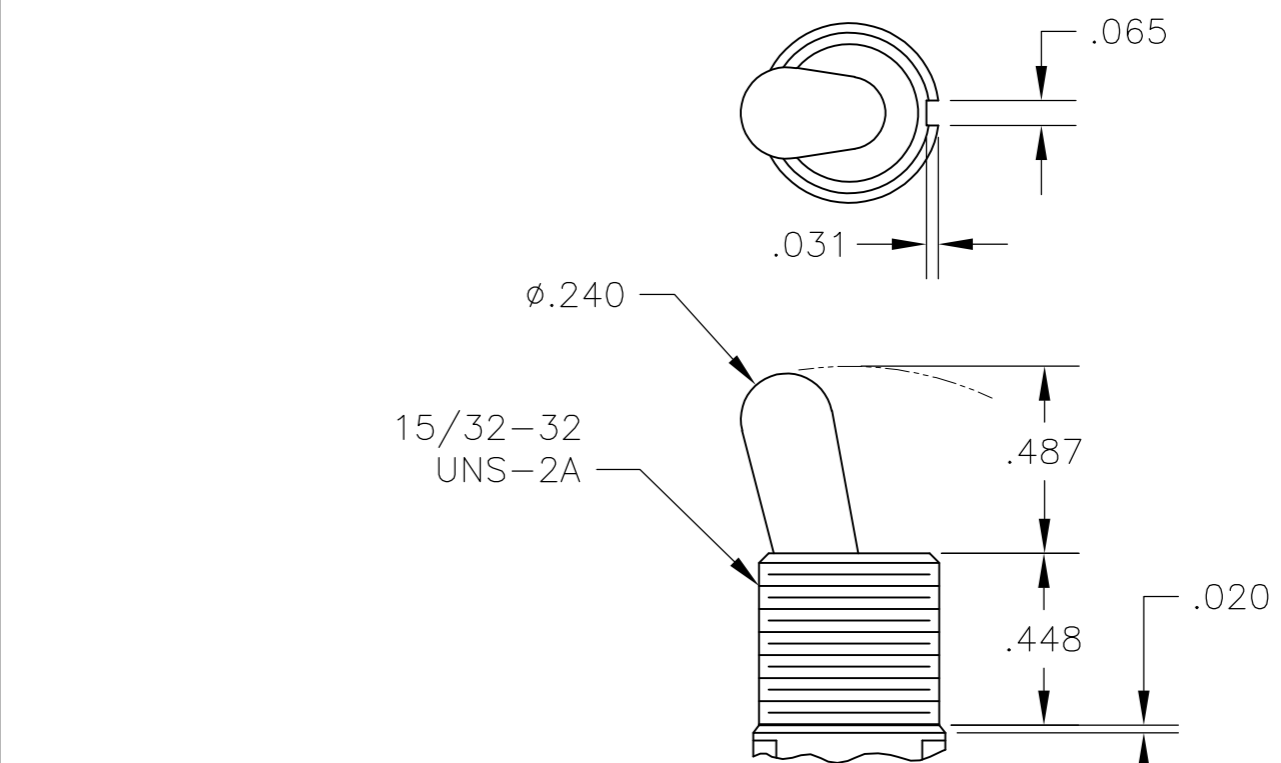
| REVISIONS | | | | |
|-----------|-----|-------------|------|------|
| P | LTR | DESCRIPTION | DATE | APVD |
| - | - | SEE SHEET 1 | - | - |



P3 NO BUSHING OPTION NEEDED

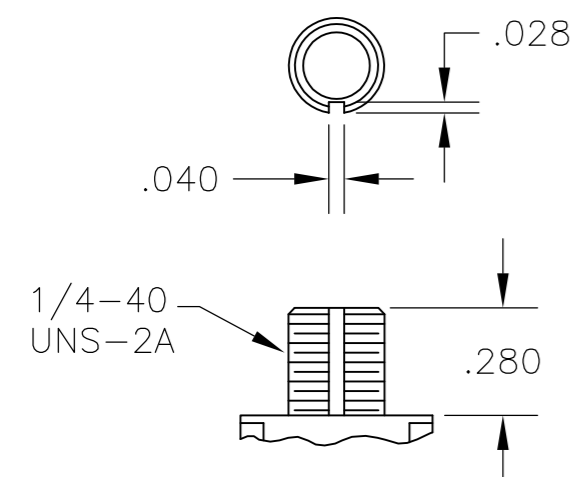


T NO BUSHING OPTION NEEDED



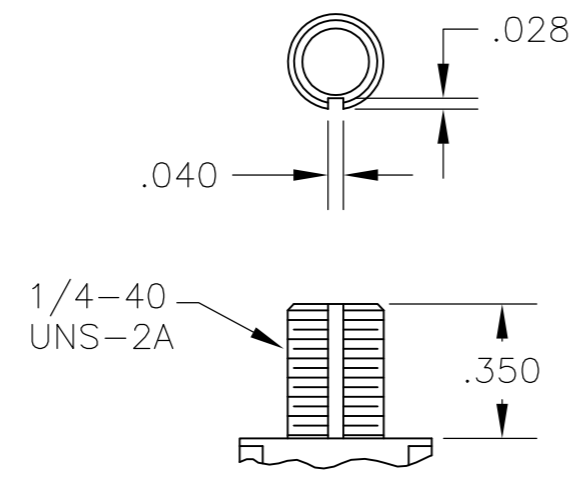
T1 NO BUSHING OPTION NEEDED

BUSHINGS



D THREADED

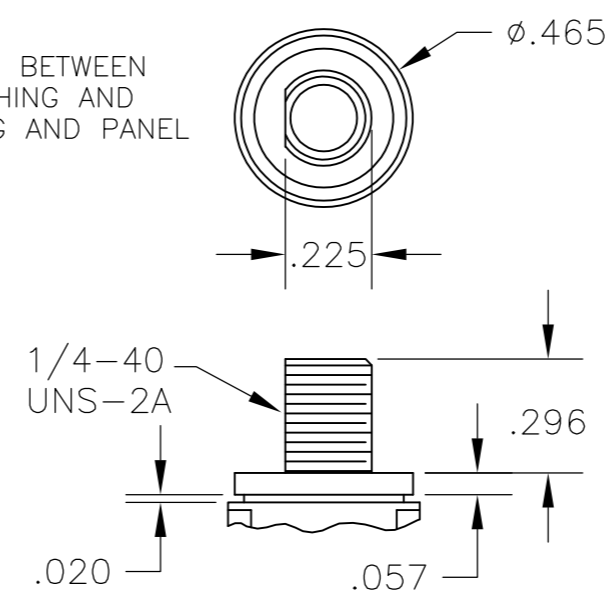
D9 UNTHREADED



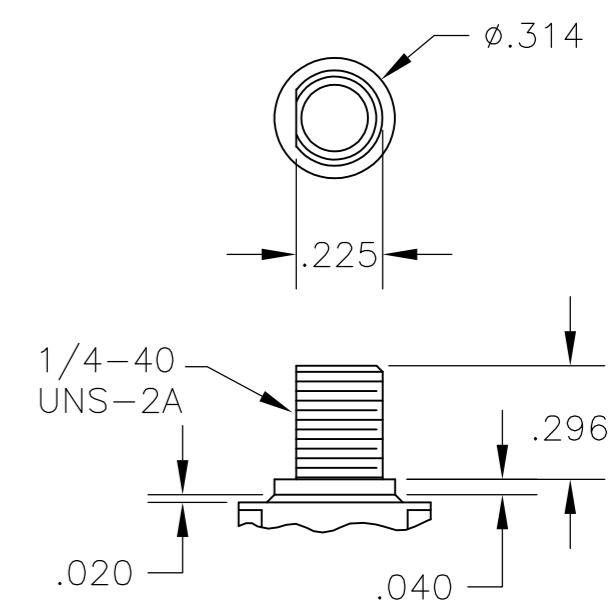
Y THREADED

Y9 UNTHREADED

CONTAINS O-RING BETWEEN TOGGLE AND BUSHING AND BETWEEN BUSHING AND PANEL



CW THREADED SPLASHPROOF

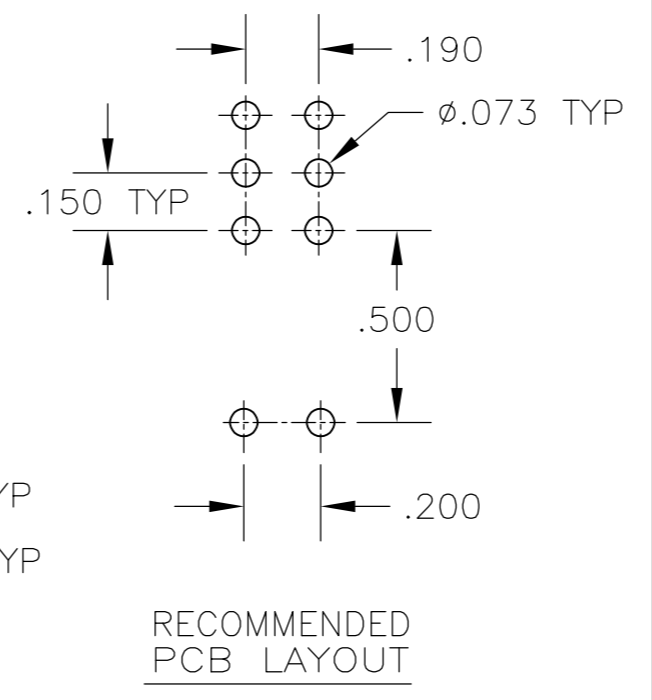
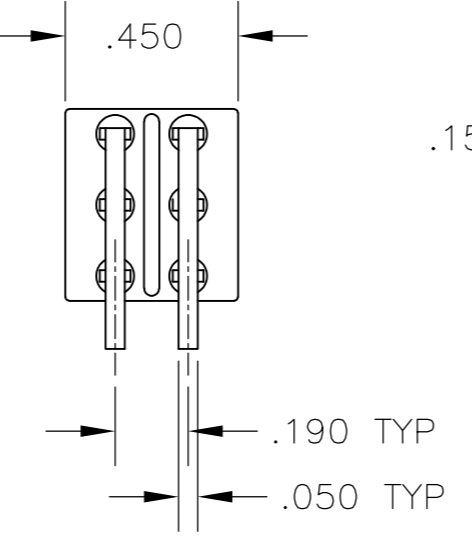
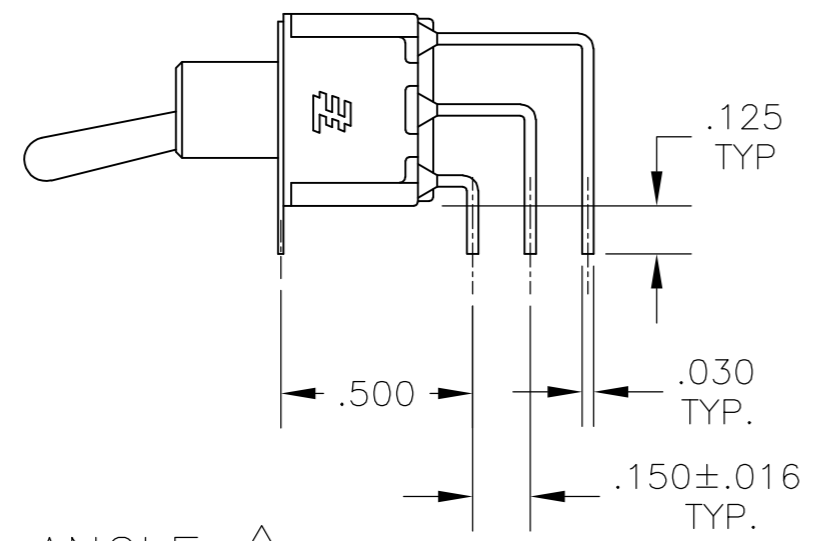
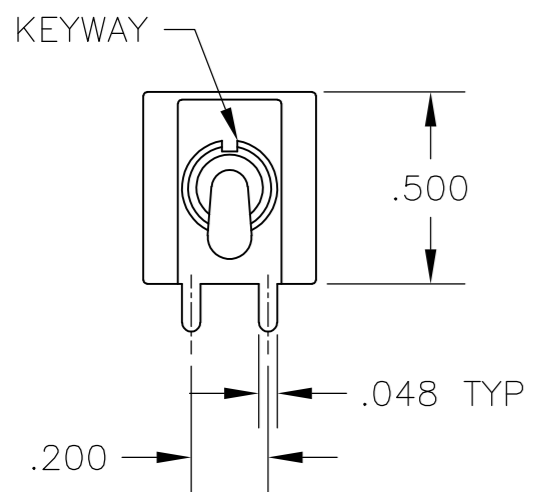


H HIGH TORQUE

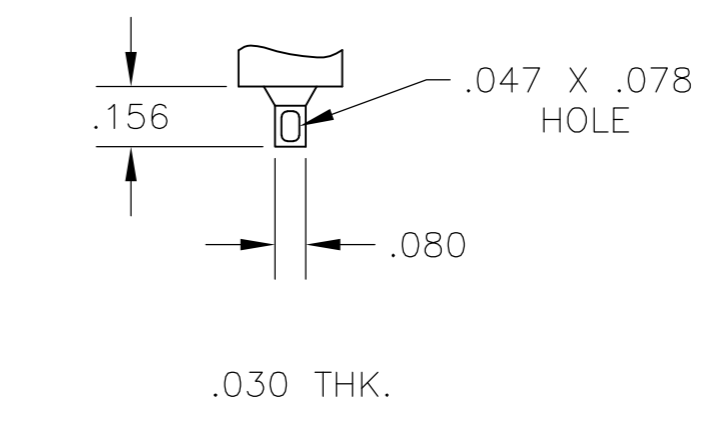
| | | | | |
|--|--|--|-----------|---------------|
| THIS DRAWING IS A CONTROLLED DOCUMENT. | | DWN | M. ZITTO | 14APR05 |
| DIMENSIONS: INCHES | | CHK | M. ZITTO | - |
| TOLERANCES UNLESS OTHERWISE SPECIFIED: | | APVD | M. ZITTO | - |
| 0 PLC ± - | | PRODUCT SPEC | NAME | |
| 1 PLC ± - | | GEMINI A SERIES TOGGLE SWITCH, DOUBLE POLE, 3 POSITION FUNCTIONS (03, 05, 07, 11, 13 & 15) | | |
| 2 PLC ± - | | APPLICATION SPEC | | |
| 3 PLC ± .010 | | SIZE | A2 | CAGE CODE |
| 4 PLC ± - | | WEIGHT | - | DRAWING NO |
| ANGLES ± 2° | | CUSTOMER DRAWING | C=1825139 | RESTRICTED TO |
| FINISH | | SCALE | 2:1 | SHEET |
| - | | 2 OF 4 | | REV |
| - | | A5 | | |

THIS DRAWING IS UNPUBLISHED. RELEASED FOR PUBLICATION
 © COPYRIGHT - By - ALL RIGHTS RESERVED.

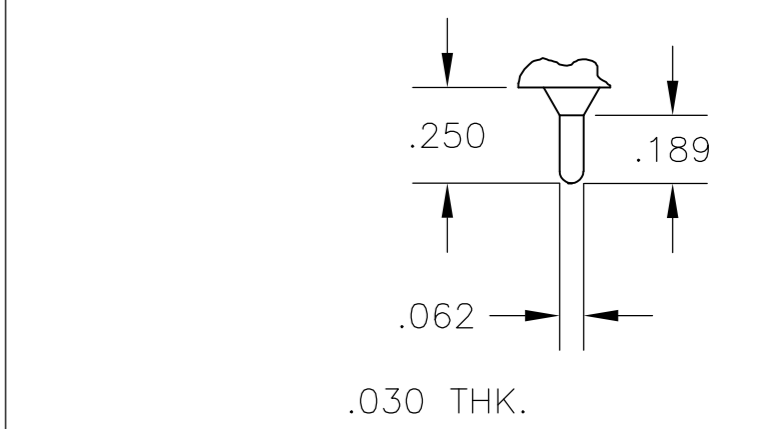
| REVISIONS | | | | |
|-----------|-----|-------------|------|------|
| P | LTR | DESCRIPTION | DATE | APVD |
| - | - | SEE SHEET 1 | - | - |



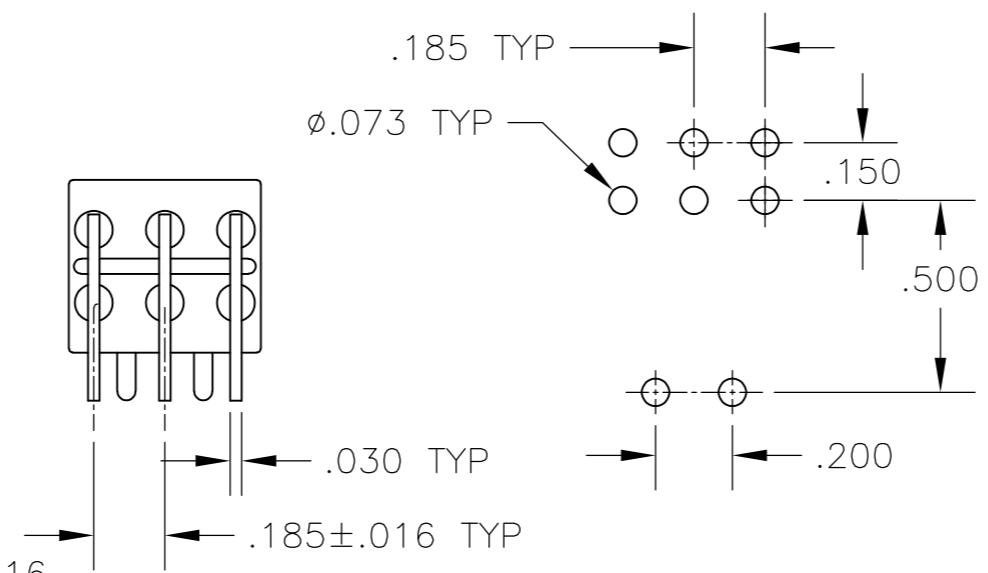
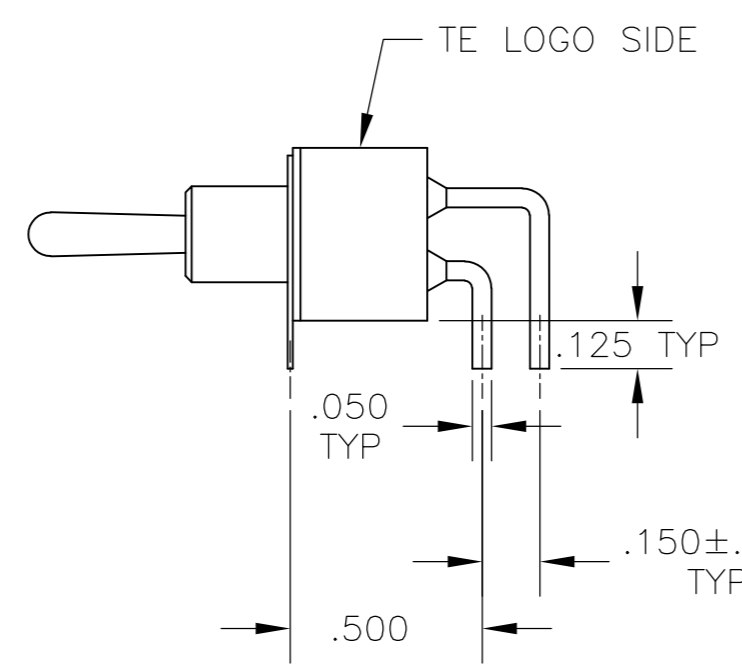
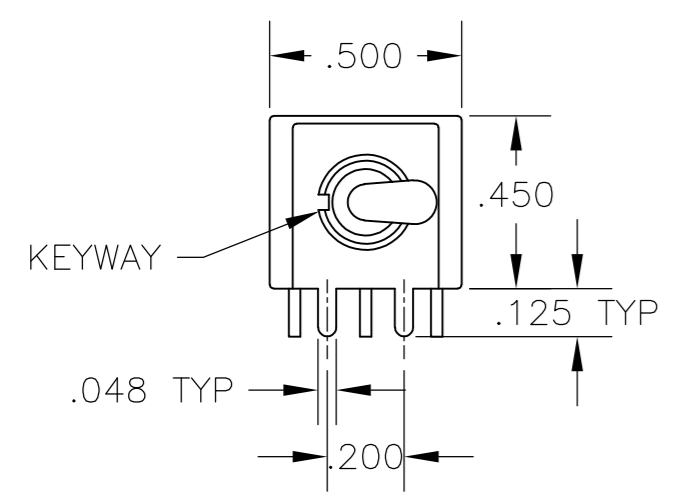
AV2 VERTICAL RIGHT ANGLE



Z WIRE LUG

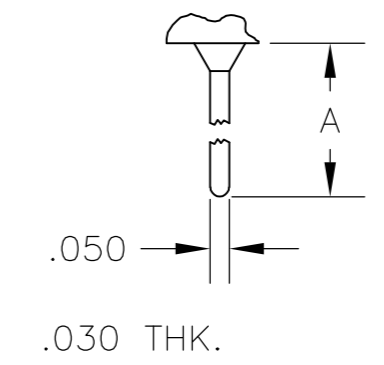


Z3 QUICK CONNECT

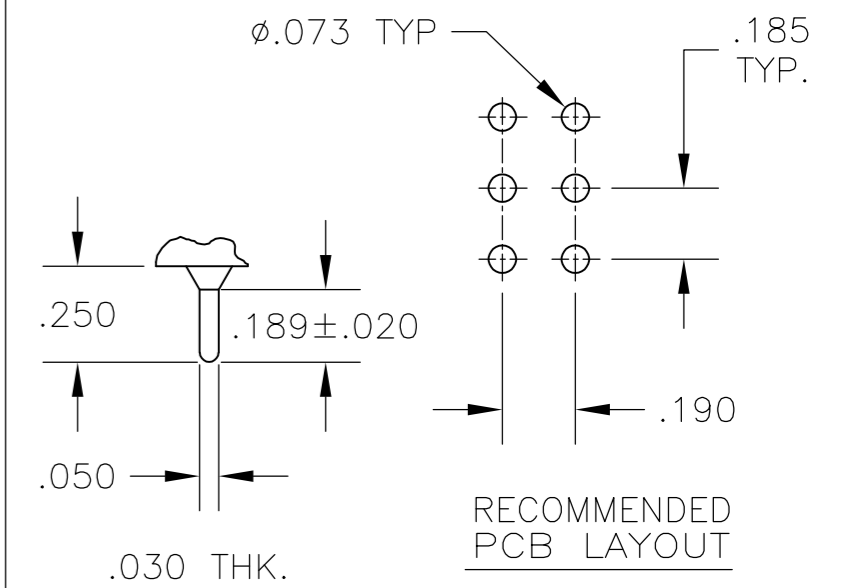


A RIGHT ANGLE

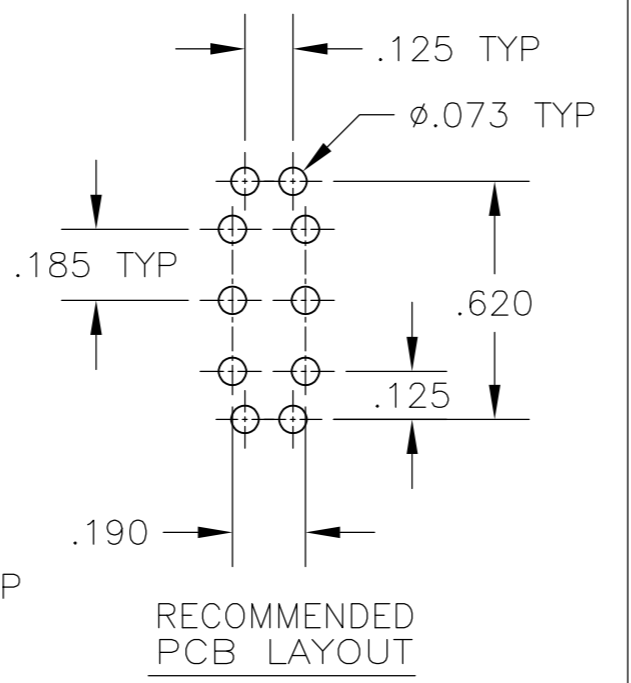
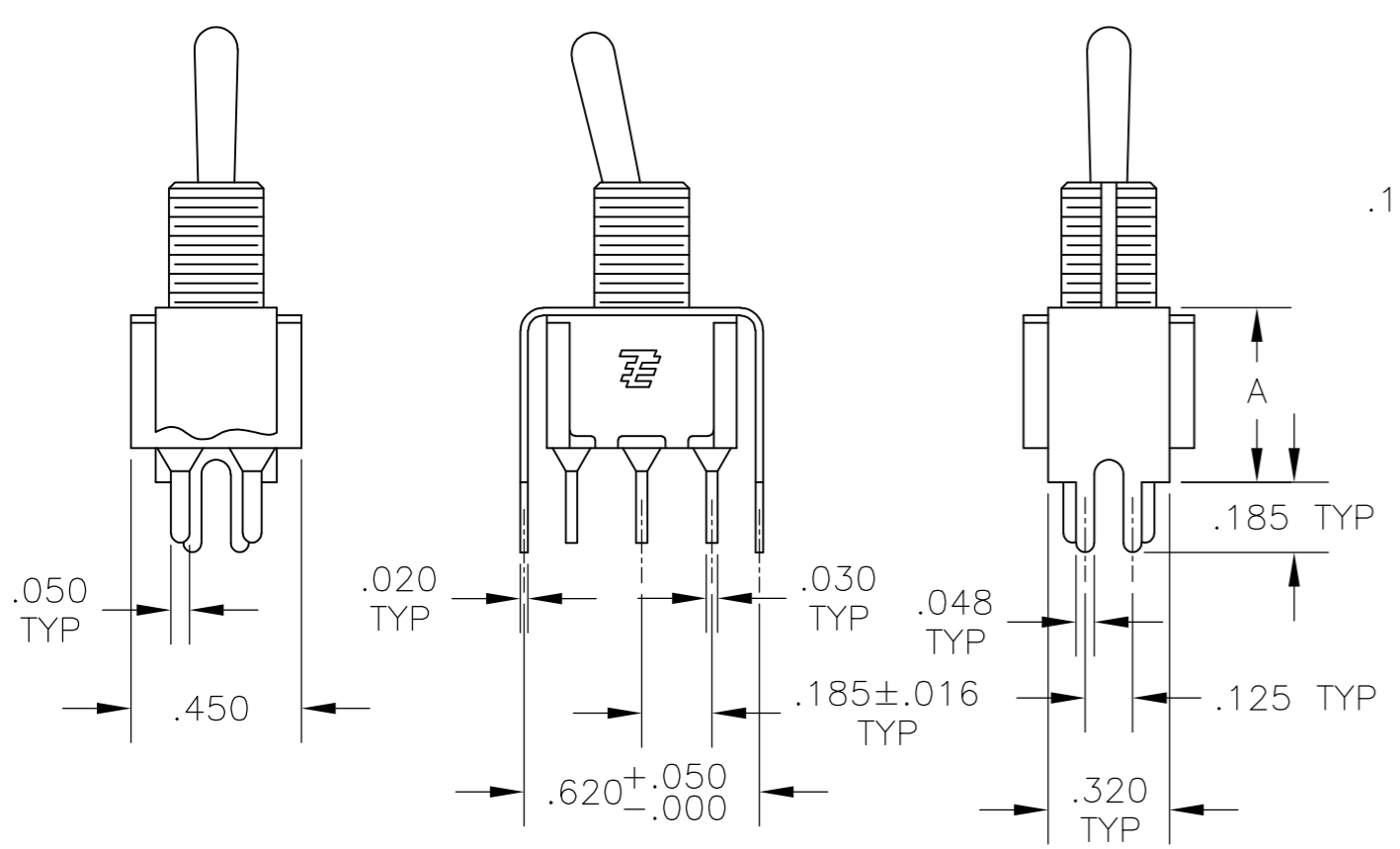
| OPTION | DIM A |
|--------|-------|
| W | .736 |
| W4 | 1.062 |



W **W4** WIRE WRAP

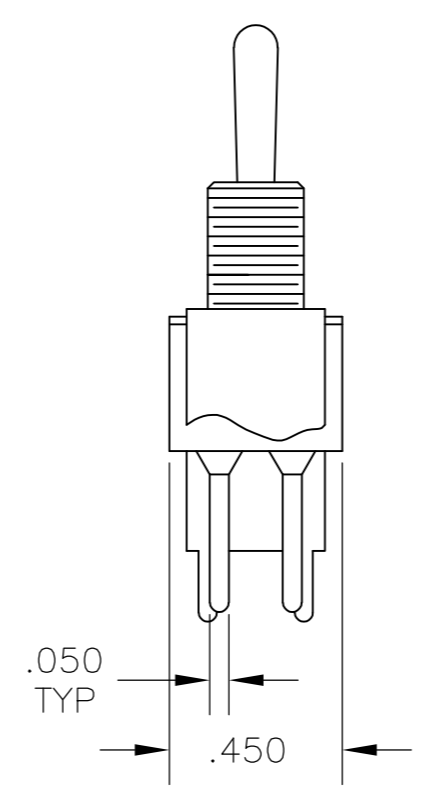


C PRINTED CIRCUIT

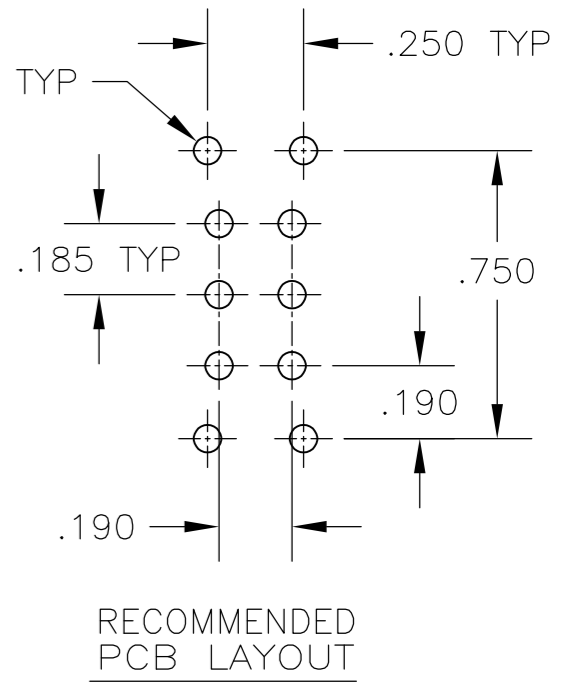
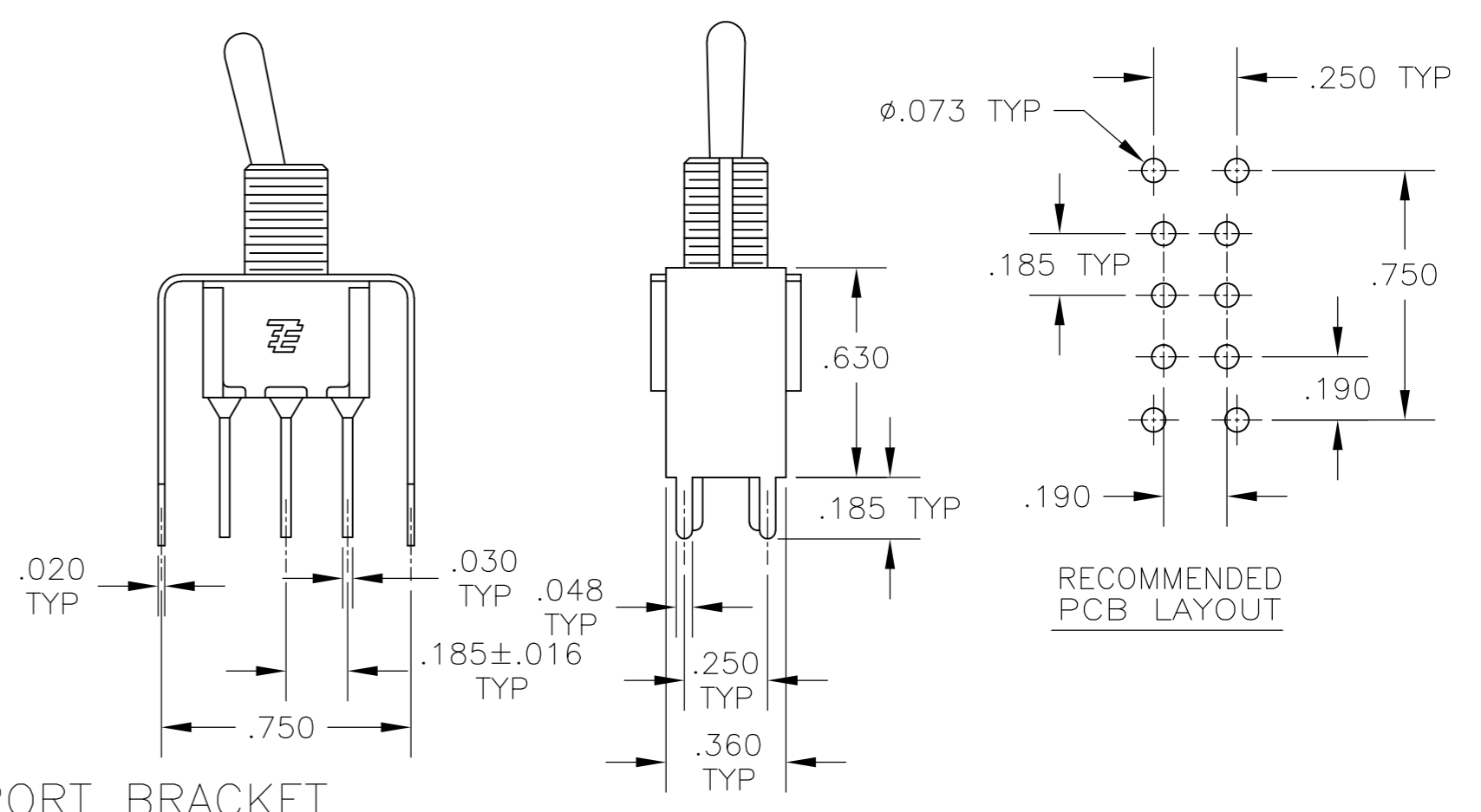


| OPTION | DIM A |
|--------|-------|
| V30 | .460 |
| V40 | .630 |

V30 **V40** VERTICAL SUPPORT BRACKET



V70 VERTICAL SUPPORT BRACKET



THIS DRAWING IS A CONTROLLED DOCUMENT. DWN M. ZITTO 14APR05

CHK M. ZITTO

APVD M. ZITTO

PRODUCT SPEC

APPLICATION SPEC

WEIGHT

CUSTOMER DRAWING

TE TE Connectivity

NAME GEMINI A SERIES TOGGLE SWITCH, DOUBLE POLE, 3 POSITION FUNCTIONS (03, 05, 07, 11, 13 & 15)

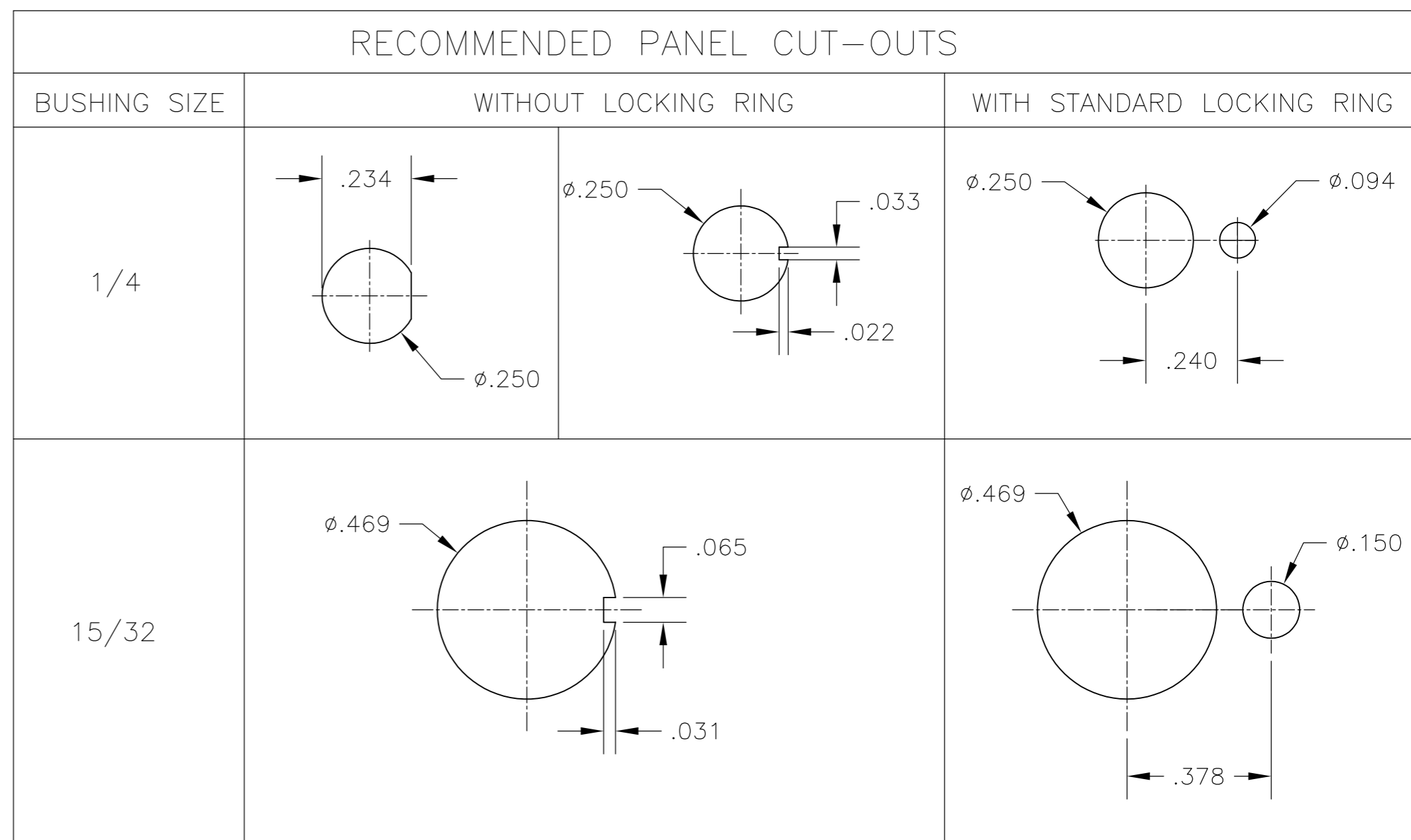
| | | | |
|------|-----------|------------|---------------|
| SIZE | CAGE CODE | DRAWING NO | RESTRICTED TO |
| A2 | 00779 | C=1825139 | - |

SCALE 2:1 SHEET 3 of 4 REV A5

THIS DRAWING IS UNPUBLISHED. RELEASED FOR PUBLICATION
 © COPYRIGHT - By - ALL RIGHTS RESERVED.

| REVISIONS | | | | |
|-----------|-----|-------------|------|------|
| P | LTR | DESCRIPTION | DATE | APVD |
| - | - | SEE SHEET 1 | - | - |

| Alco P/N | P/N |
|---------------|-------------|
| A203KZQ04 | 1825139-1 |
| A203MD9AB04 | 1825139-2 |
| A203P3AV2Q04 | 1825139-3 |
| A203P3ZQ04 | 1825139-4 |
| A203SD9AV2B04 | 1825139-5 |
| A203SD9AV2Q04 | 1825139-6 |
| A203SDZQ04 | 1825139-7 |
| A203SYCB04 | 1825139-8 |
| A203SYCQ04 | 1825139-9 |
| A203SYZQ04 | 1-1825139-0 |
| A203T1ZQ04 | 1-1825139-1 |
| A203TZQ04 | 1-1825139-2 |
| A205KZB04 | 1-1825139-3 |
| A205P3ZQ04 | 1-1825139-4 |
| A205SD9AB04 | 1-1825139-5 |
| A205SYCB04 | 1-1825139-6 |
| A205SYCQ04 | 1-1825139-7 |
| A205SYZQ04 | 1-1825139-8 |
| A205T1ZQ04 | 1-1825139-9 |
| A205TZQ04 | 2-1825139-0 |
| A207P3ZQ04 | 2-1825139-1 |
| A207SYCB04 | 2-1825139-2 |
| A207SYCQ04 | 2-1825139-3 |
| A207SYZQ04 | 2-1825139-4 |
| A207T1ZQ04 | 2-1825139-5 |
| A207TZQ04 | 2-1825139-6 |
| A211KZB04 | 2-1825139-7 |
| A211MD9AQ04 | 2-1825139-8 |
| A211MYCQ04 | 2-1825139-9 |
| A211P3CQ04 | 3-1825139-0 |
| A211P3V40G04 | 3-1825139-1 |
| A211P3ZQ04 | 3-1825139-2 |
| A211SCWCQ004 | 3-1825139-3 |
| A211SDZQ04 | 3-1825139-4 |
| A211SHZQ04 | 3-1825139-5 |
| A211SY9AQ04 | 3-1825139-6 |
| A211SYCQ04 | 3-1825139-7 |
| A211SYZB04 | 3-1825139-8 |
| A211SYZQ04 | 3-1825139-9 |
| A211T1ZQ04 | 4-1825139-0 |
| not assigned | 4-1825139-1 |
| A213SYZQ04 | 4-1825139-2 |
| A215SD9V30B04 | 4-1825139-3 |
| A215SY9AQ04 | 4-1825139-4 |
| A215SYZQ04 | 4-1825139-5 |
| A203LYCQ04 | 4-1825139-6 |
| A203LD9CQ04 | 4-1825139-7 |
| A203LDCQ04 | 4-1825139-8 |



MATERIALS CHART

| COMPONENT NAME | BASE MATERIAL | FINISH |
|------------------------|---------------------------|------------------|
| CASE | DAP, RED, UL94 V-0 | |
| FRAME | STAINLESS STEEL | |
| B TERMINALS & CONTACTS | COPPER | GOLD OVER NICKEL |
| G TERMINALS & CONTACTS | COPPER | GOLD OVER SILVER |
| Q TERMINALS & CONTACTS | COPPER | .000400 SILVER |
| ACTUATOR | PHENOLIC, BLACK, UL94 V-1 | |
| LEVER | BRASS | CHROME |
| BUSHING | BRASS | NICKEL |
| SPRING | MUSIC WIRE | |
| SUPPORT BRACKET | BRASS | TIN |
| PIVOT PIN | STEEL | NICKEL |
| LOCK WASHER | STAINLESS STEEL | |
| LOCKING RING | STAINLESS STEEL | |
| NUTS | C3604BD BRASS | NICKEL |
| TERMINAL SEAL | EPOXY | |

| | | | | | | | | | | | | | | | | | | | | | |
|--|--------|------------------|---------|---|---|-------|---|---|-------|---|---|-------|---|------|-------|---|---|--------|---|----|--------------|
| THIS DRAWING IS A CONTROLLED DOCUMENT. | | DWN M. ZITTO | 14APR05 | TE TE Connectivity | | | | | | | | | | | | | | | | | |
| DIMENSIONS: INCHES | | CHK M. ZITTO | - | | | | | | | | | | | | | | | | | | |
| TOLERANCES UNLESS OTHERWISE SPECIFIED: | | APVD M. ZITTO | - | | | | | | | | | | | | | | | | | | |
| <table border="0"> <tr><td>0 PLC</td><td>±</td><td>-</td></tr> <tr><td>1 PLC</td><td>±</td><td>-</td></tr> <tr><td>2 PLC</td><td>±</td><td>-</td></tr> <tr><td>3 PLC</td><td>±</td><td>.010</td></tr> <tr><td>4 PLC</td><td>±</td><td>-</td></tr> <tr><td>ANGLES</td><td>±</td><td>2°</td></tr> </table> | | 0 PLC | ± | | - | 1 PLC | ± | - | 2 PLC | ± | - | 3 PLC | ± | .010 | 4 PLC | ± | - | ANGLES | ± | 2° | PRODUCT SPEC |
| 0 PLC | ± | - | | | | | | | | | | | | | | | | | | | |
| 1 PLC | ± | - | | | | | | | | | | | | | | | | | | | |
| 2 PLC | ± | - | | | | | | | | | | | | | | | | | | | |
| 3 PLC | ± | .010 | | | | | | | | | | | | | | | | | | | |
| 4 PLC | ± | - | | | | | | | | | | | | | | | | | | | |
| ANGLES | ± | 2° | | | | | | | | | | | | | | | | | | | |
| MATERIAL | FINISH | WEIGHT | - | NAME GEMINI A SERIES TOGGLE SWITCH, DOUBLE POLE, 3 POSITION FUNCTIONS (03, 05, 07, 11, 13 & 15) | | | | | | | | | | | | | | | | | |
| CUSTOMER DRAWING | | SCALE | 3:1 | SIZE A2 | | | | | | | | | | | | | | | | | |
| | | SHEET | 4 of 4 | CAGE CODE 00779 | | | | | | | | | | | | | | | | | |
| | | REV | A5 | DRAWING NO 1825139 | | | | | | | | | | | | | | | | | |
| | | RESTRICTED TO | - | | | | | | | | | | | | | | | | | | |

X-ON Electronics

Largest Supplier of Electrical and Electronic Components

Click to view similar products for [Toggle Switches](#) category:

Click to view products by [TE Connectivity](#) manufacturer:

Other Similar products are found below :

[8A1-C-222](#) [60012L](#) [6006L](#) [6663](#) [7101MD9V30GE](#) [7101SPDV30BE](#) [7103SDV30BE](#) [7105D](#) [7108P3YAV2BE](#) [71YY50282](#)
[7201MD9AVBE](#) [7301K38](#) [7306K36](#) [7310K36](#) [7314K36](#) [7506K4](#) [7660K12](#) [7691K14](#) [7700K1](#) [FA75A-CBL](#) [8396K108](#) [8824K14](#) [8828K13](#)
[G2VX](#) [G3VX](#) [PS83-121G](#) [A101MD9AB04](#) [A101SD9AB04](#) [A101SDCQ04](#) [A103SD9AQ04](#) [A107TZB04](#) [A123P32YZQ](#) [A123S1YZG](#)
[A127S1YCQ](#) [1-1825192-0](#) [A131S1YZQ](#) [A201SCWZB04](#) [A207SYCB04](#) [A208J61ZQ0004](#) [A221K12KAG](#) [A221S1YZQ](#) [A221T1TCQ](#)
[A232K12KZQ](#) [A232M1YCQ](#) [A323S1CWZQ](#) [A423S1CWZG-M8](#) [A423S1YZQ](#) [12149A-3V](#) [12156AX408](#) [12147AGKX679](#)