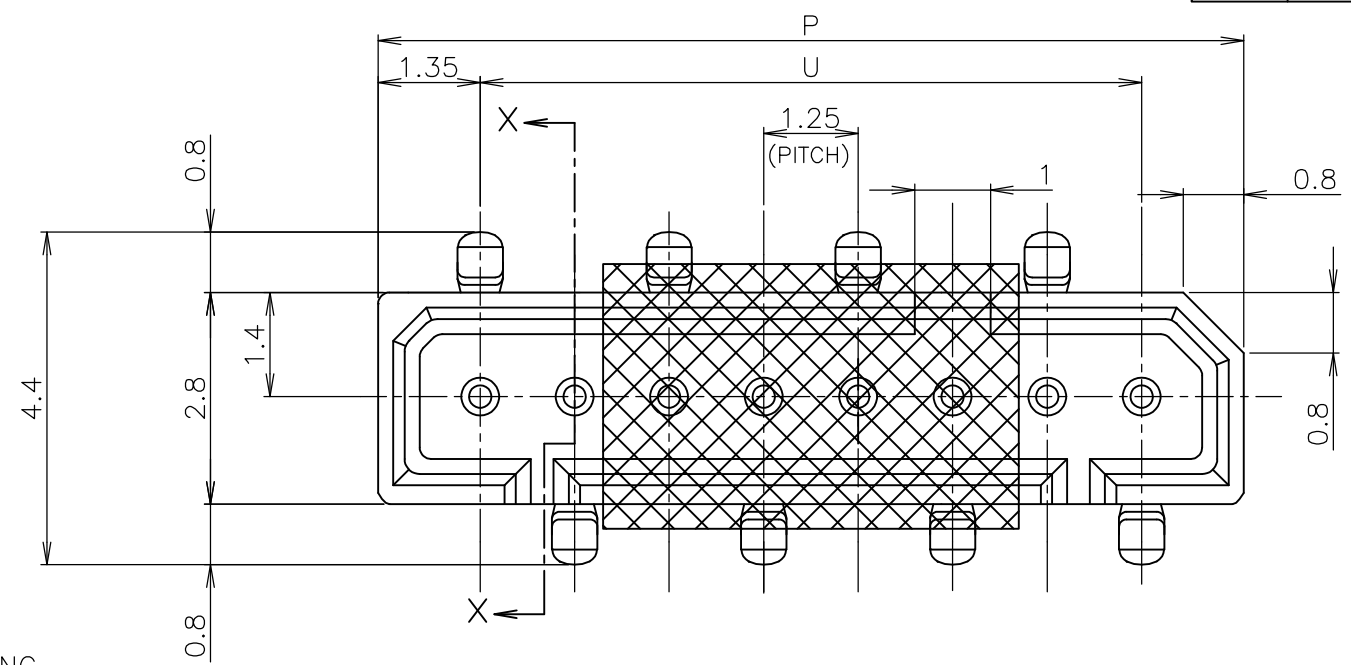
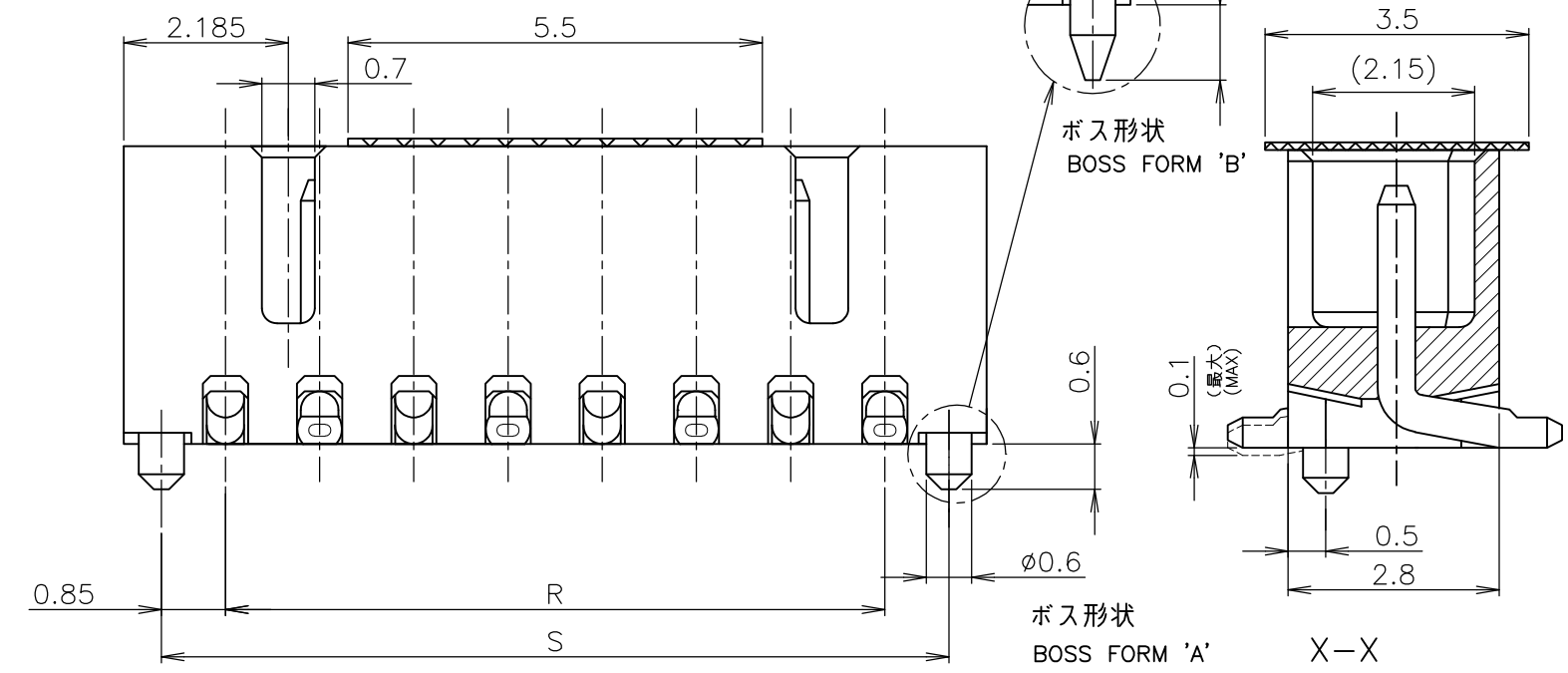
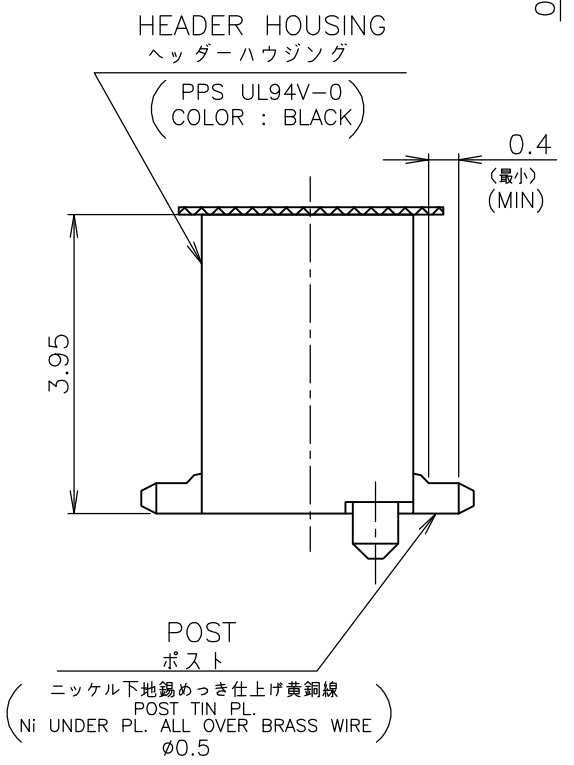


THIS DRAWING IS UNPUBLISHED. RELEASED FOR PUBLICATION  
 © COPYRIGHT By - ALL RIGHTS RESERVED.

LOC	DIST	REVISIONS					
J		P	LTR	DESCRIPTION	DATE	DWN	APVD
		D		REVISED ECR-12-017462	11APR13	I.T	S.Y

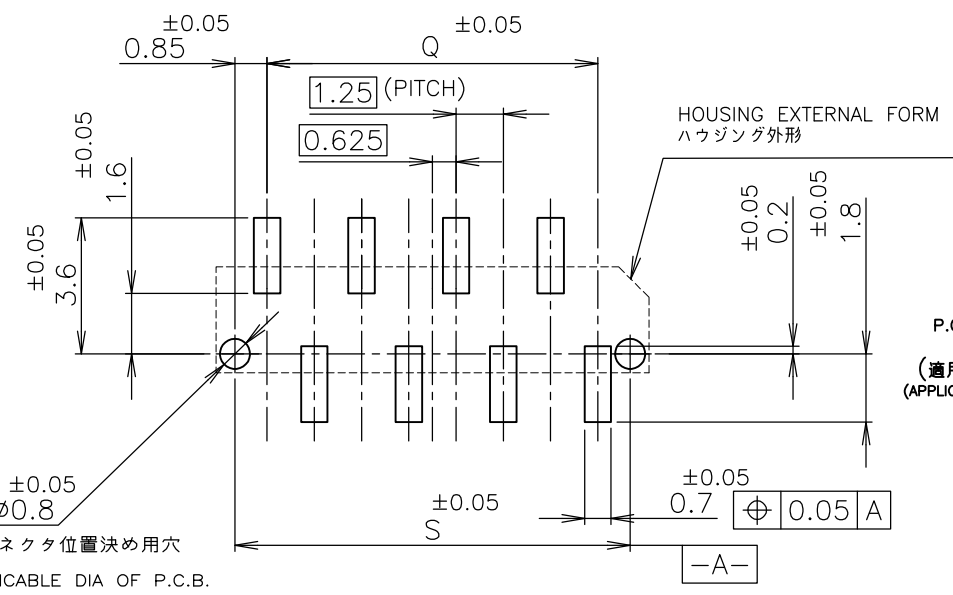


AS SHOWN : 3-1827158-8



吸着テープ付  
WITH POLYIMIDE TAPE

OBSELETE	'B'	7.95	6.25	6.25	8.95	6	3-1827158-6
	'A'	10.45	8.75	8.75	11.45	8	3-1827158-8
	ボス形状 BOSS TYPE	S	R	U	P	極数 Pos.	型番 P/N



P.C.B MOUNTING LAYOUT  
基板加工寸法  
(適用基板厚 : 0.6mm 最小)  
(APPLICABLE P.C.B THK : 0.6mm MIN)

THIS DRAWING IS A CONTROLLED DOCUMENT.	
DIMENSIONS: 単位: 概 mm	TOLERANCES UNLESS OTHERWISE SPECIFIED: 一般公差
0 PLC ± 0.3	1 PLC ± 0.3
2 PLC ± 0.3	3 PLC ± 0.3
4 PLC ± 0.3	ANGLES ± 3°
MATERIAL 材料	FINISH 仕上
AS SHOWN 図中参照	AS SHOWN 図中参照

DWN Y.SHINO	17DEC2004
CHK T.KUSUHARA	17DEC2004
APVD H.MURAMATSU	17DEC2004
PRODUCT SPEC 製品規格	108-5246
APPLICATION SPEC 取付適用規格	
WEIGHT	

**STE** TE Connectivity

1.25 FP CONNECTOR B-TO-B  
SINGLE ROW POST HDR ASS'Y SMT TYPE  
WITH BOSS, WITH POLYIMID TAPE

SIZE	CAGE CODE	DRAWING NO	RESTRICTED TO
A3	00779	C-1827158	

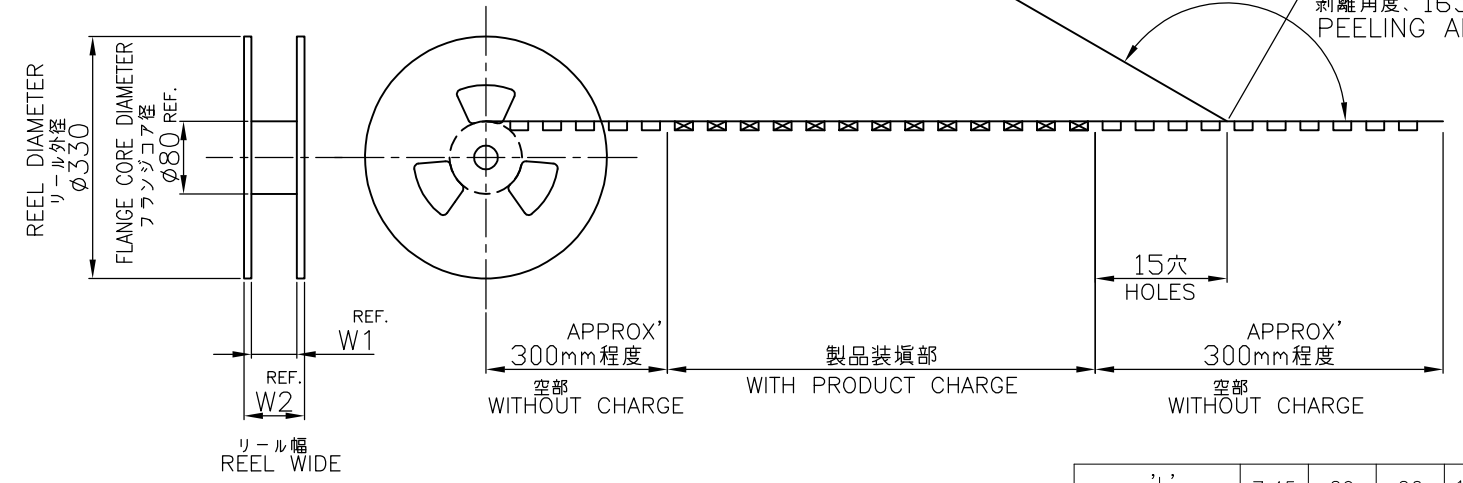
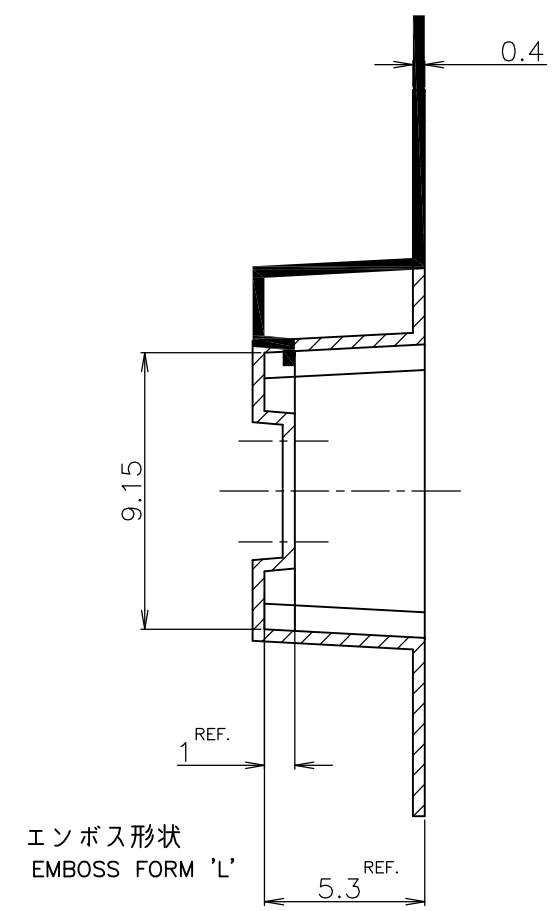
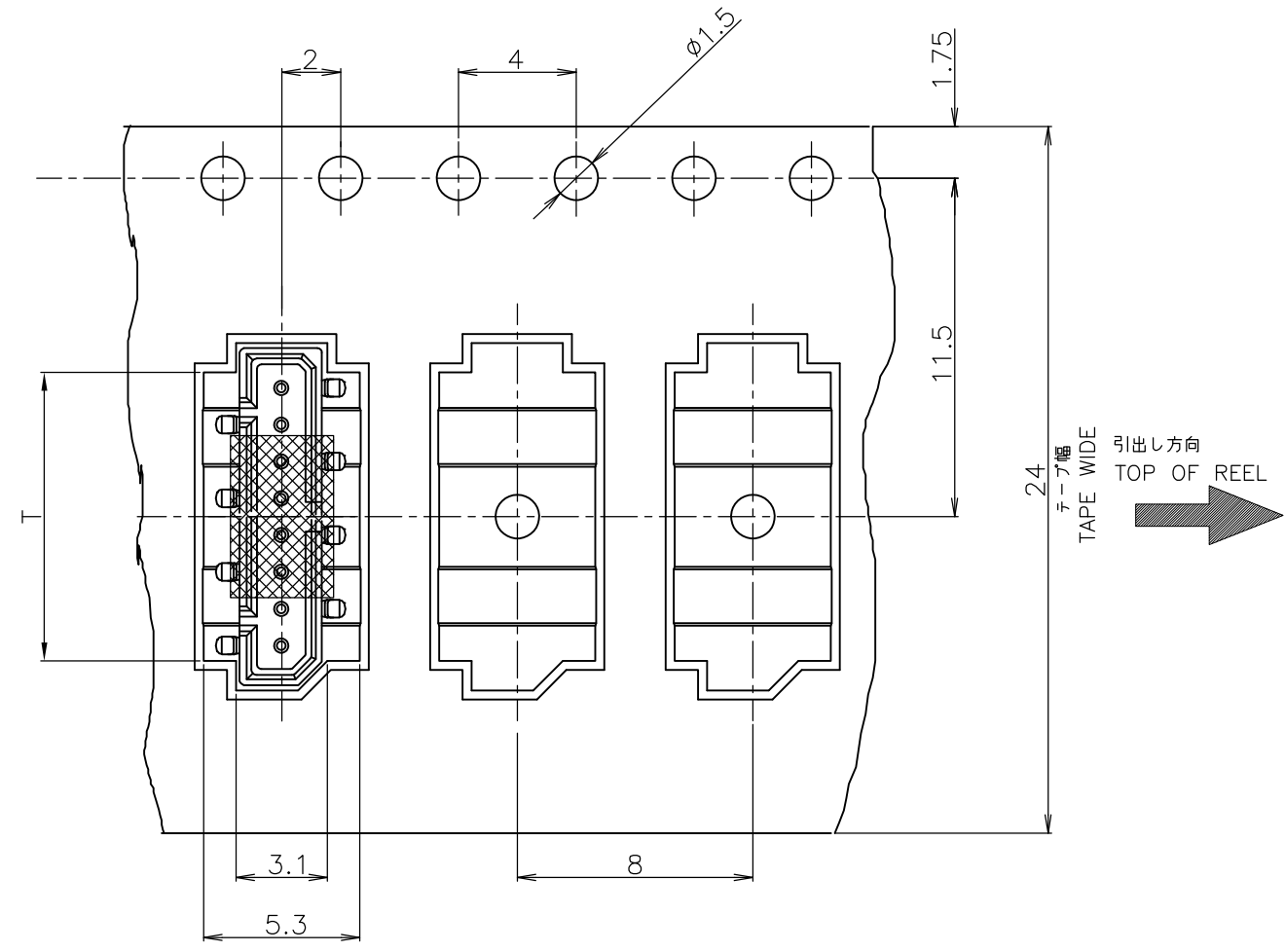
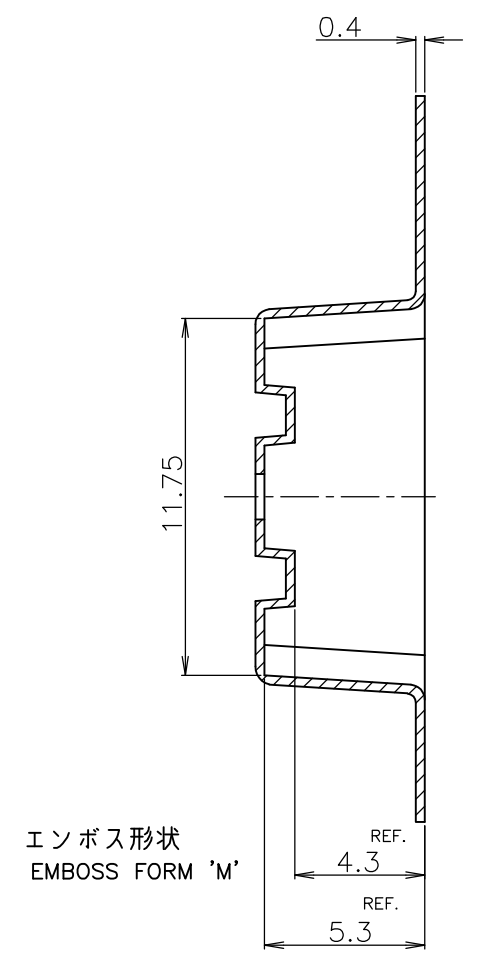
CUSTOMER DRAWING

SCALE 10:1 SHEET 1 OF 2 REV D

THIS DRAWING IS UNPUBLISHED. RELEASED FOR PUBLICATION  
 © COPYRIGHT By - ALL RIGHTS RESERVED.

LOC	DIST	REVISIONS					
J		P	LTR	DESCRIPTION	DATE	DWN	APVD
		-		SEE SHEET 1	-	-	-

吸着テープ付  
WITH POLYIMIDE TAPE



AS SHOWN : 3-1827158-8  
3-1827158-6

'L'	7.45	29	26	1400	6
'M'	9.8	29	26	1400	8
エンボス形状 EMBOSS TYPE	T	W2	W1	数量 (枚) QTY/REEL	位置 Pos.

THIS DRAWING IS A CONTROLLED DOCUMENT.

DWN Y.SHINO 17DEC2004	TE Connectivity 1.25 FP CONNECTOR B-TO-B SINGLE ROW POST HDR ASS'Y SMT TYPE WITH BOSS, WITH POLYIMID TAPE																	
CHK T.KUSUHARA 17DEC2004																		
APVD H.MURAMATSU 17DEC2004																		
NAME 名称 108-5246																		
DIMENSIONS: 単位: 耗 mm	TOLERANCES UNLESS OTHERWISE SPECIFIED: 一般公差	PRODUCT SPEC 製品規格	SIZE A3	CAGE CODE 00779	DRAWING NO 番号 C-1827158	RESTRICTED TO												
<table border="1"> <tr> <td>0 PLC</td> <td>± 0.3</td> </tr> <tr> <td>1 PLC</td> <td>± 0.3</td> </tr> <tr> <td>2 PLC</td> <td>± 0.3</td> </tr> <tr> <td>3 PLC</td> <td>± 0.3</td> </tr> <tr> <td>4 PLC</td> <td>± 0.3</td> </tr> <tr> <td>ANGLES</td> <td>± 3'</td> </tr> </table>	0 PLC	± 0.3	1 PLC	± 0.3	2 PLC	± 0.3	3 PLC	± 0.3	4 PLC	± 0.3	ANGLES	± 3'	FINISH 仕上	APPLICATION SPEC 取付適用規格	WEIGHT	SCALE 尺度 10:1	SHEET 2 OF 2	REV D
0 PLC	± 0.3																	
1 PLC	± 0.3																	
2 PLC	± 0.3																	
3 PLC	± 0.3																	
4 PLC	± 0.3																	
ANGLES	± 3'																	
MATERIAL 材料 AS SHOWN 図中参照	AS SHOWN 図中参照	WEIGHT	CUSTOMER DRAWING															

## X-ON Electronics

Largest Supplier of Electrical and Electronic Components

*Click to view similar products for [Board to Board & Mezzanine Connectors](#) category:*

*Click to view products by [TE Connectivity](#) manufacturer:*

Other Similar products are found below :

[589158040000018](#) [FCN-230C068-11](#) [FCN-268F012-G/BD](#) [FCN-268F036-G/BD](#) [FCN-268M012-G/0D](#) [FCN-268M024-G/1D](#) [FCN-723J004/1](#) [MIS-048-01-F-D-DP-K](#) [832-10-034-10-001000](#) [FX4C-80S-1.27DSA](#) [FCN-214Q030-G/0](#) [FCN-234P048-G/0](#) [FCN-235D050-G/C](#) [210-93-314-41-105000](#) [2-22603-0](#) [MDF7-40DP-2.54DSA\(55\)](#) [AXG720047](#) [5031084030](#) [MIT-114-03-F-D-K](#) [55323-1519](#) [DF33-2P-3.3DSA\(24\)](#) [YFT-20-05-H-03-SB-K](#) [503308-3040](#) [026-6203-PDB](#) [027-6203-PDB](#) [069159702701000](#) [10123981-102LF](#) [101A10019X](#) [55650-0588-C](#) [68684-306](#) [75140-7012](#) [589159005003045](#) [194261-1](#) [FCN-268F024-G0D](#) [10124054-515LF](#) [68685-603](#) [8-1616154-3](#) [MIS-019-01-F-D](#) [589159005002045](#) [541371078](#) [IL-WX-10PB-HF-B-E1000E](#) [FCN-268M024-G/3D](#) [20021832-06016C1LF](#) [KX15-20KLDL-E1000E](#) [MDF7-16DP-2.54DSA\(55\)](#) [AXE810124](#) [FCN-214J100-G/0](#) [FCN-230C068-E/S](#) [AXE812124](#) [AXE816124](#)