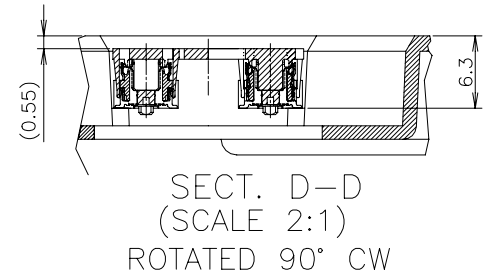
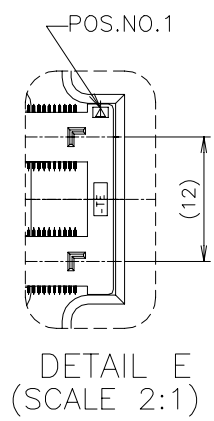
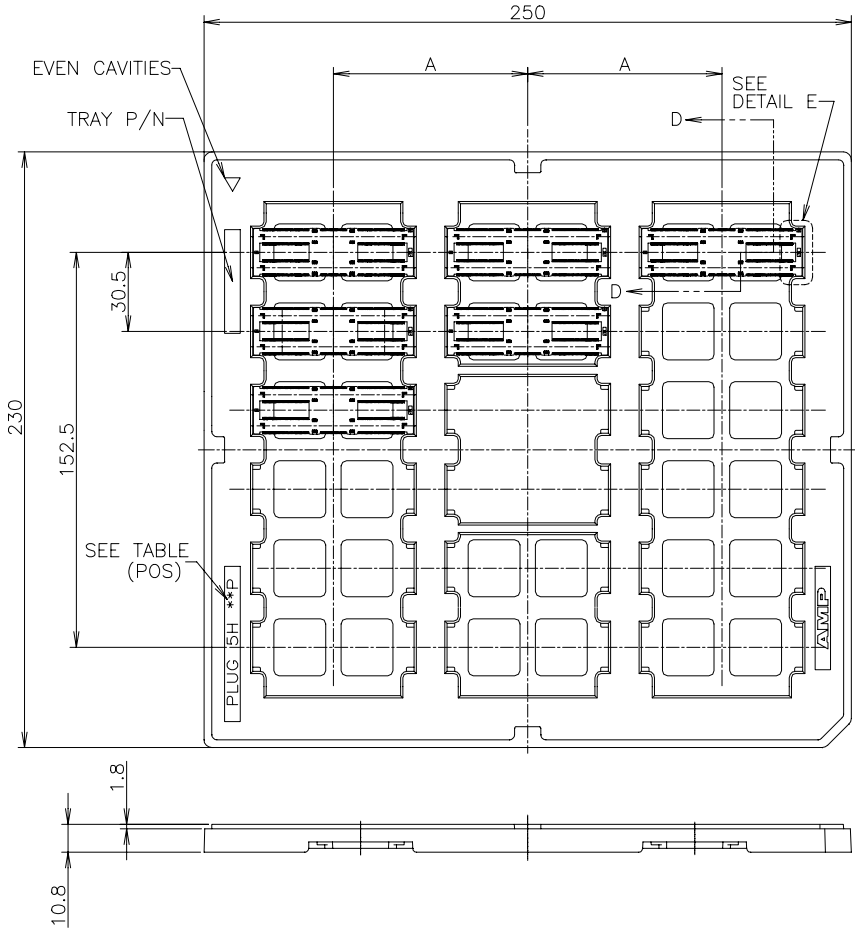


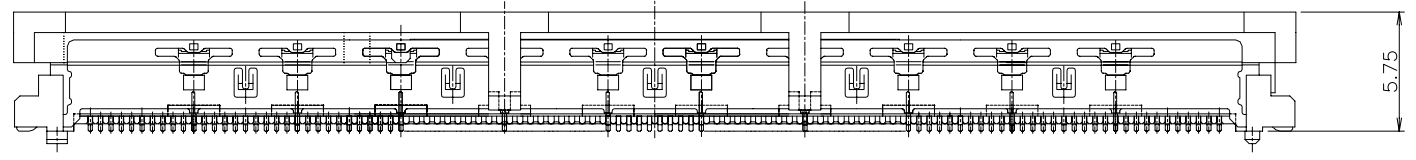
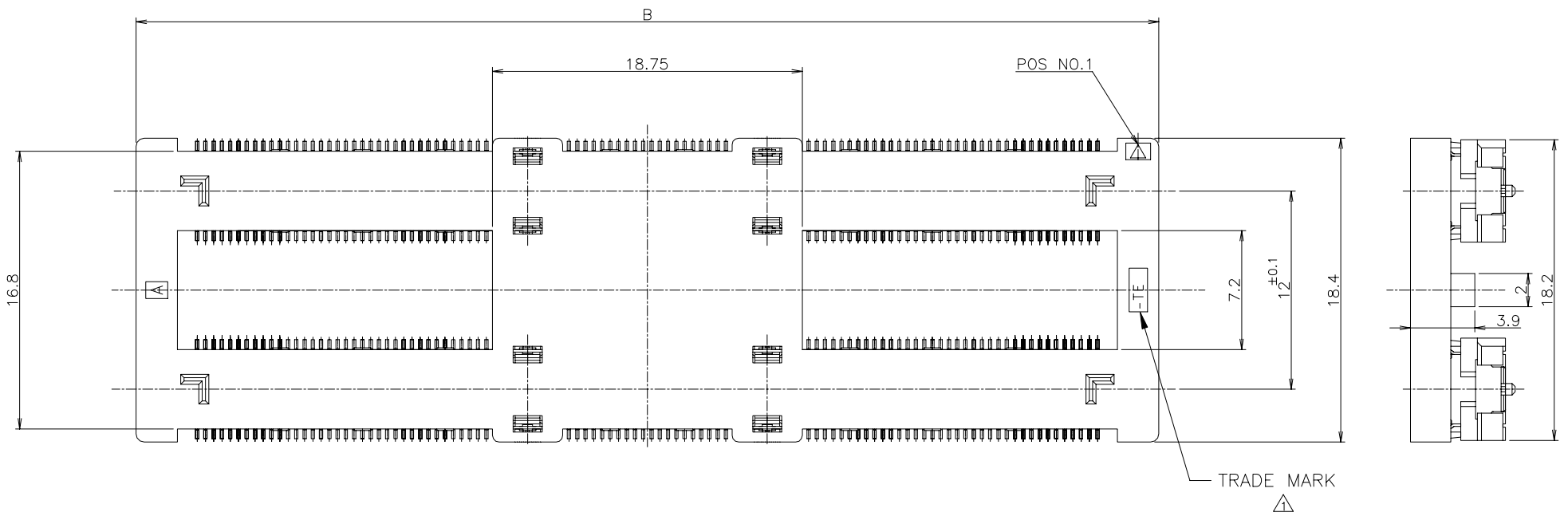
REVISIONS					
P	LTR	DESCRIPTION	DATE	DWN	APVD
	C	ECO-20-000559:G-CONTACT TAIL FLASH GOLD	16DEC2019	A.L	H.L



NO	3	18	75	440	3-1827233-6
SEALANT	ROW	QTY	A	POS.	PART NO.

THIS DRAWING IS A CONTROLLED DOCUMENT.		DWN S. CHIEN 18MAY05	TE Connectivity Ltd.		
DIMENSIONS: MM		CHK T. FUTATSUGI 18MAY05			
TOLERANCES UNLESS OTHERWISE SPECIFIED:		APVD W. KODAMA 18MAY05	PRODUCT SPEC		
0 PLC ± 0.25 1 PLC ± 0.15 2 PLC ± 0.10 3 PLC ± 0.05 4 PLC ± 0.0250 ANGLES ± 3°		108-5560	APPLICATION SPEC		
MATERIAL		WEIGHT	SCALE 1:2 SHEET 1 OF 4 REV C		
FINISH		CUSTOMER DRAWING	RESTRICTED TO		
		A3 00779	C=1827233		

REVISIONS					
P	LTR	DESCRIPTION	DATE	DWN	APVD
-	-	SEE SHEET 1	-	-	-



NOTE
 ▲ SINK SURFACE 0.1, RISING CHARACTER 0.08
 '-TE' MANUFACTURED BY TE JP
 '-TE-' MANUFACTURED BY TE QD

THIS DRAWING IS A CONTROLLED DOCUMENT.		DWN	TE Connectivity Ltd.	
DIMENSIONS: MM		CHK	HARD TRAY ASSY	
TOLERANCES UNLESS OTHERWISE SPECIFIED:		APVD	FH 0.5 BTB CONNECTOR 440POS	
0 PLC ± 0.25	1 PLC ± 0.15	PRODUCT SPEC	PLUG 5H W/G-PLATE ON 2 ROW CAP	
2 PLC ± 0.10	3 PLC ± 0.05	APPLICATION SPEC	SIZE A3	CAGE CODE 00779
4 PLC ± 0.0250	ANGLES ± 3'	WEIGHT	DRAWING NO C=1827233	
MATERIAL	FINISH	CUSTOMER DRAWING	RESTRICTED TO	
SCALE 4:1			SHEET 2 OF 4	REV C

4

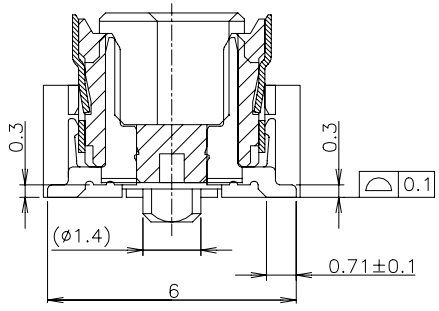
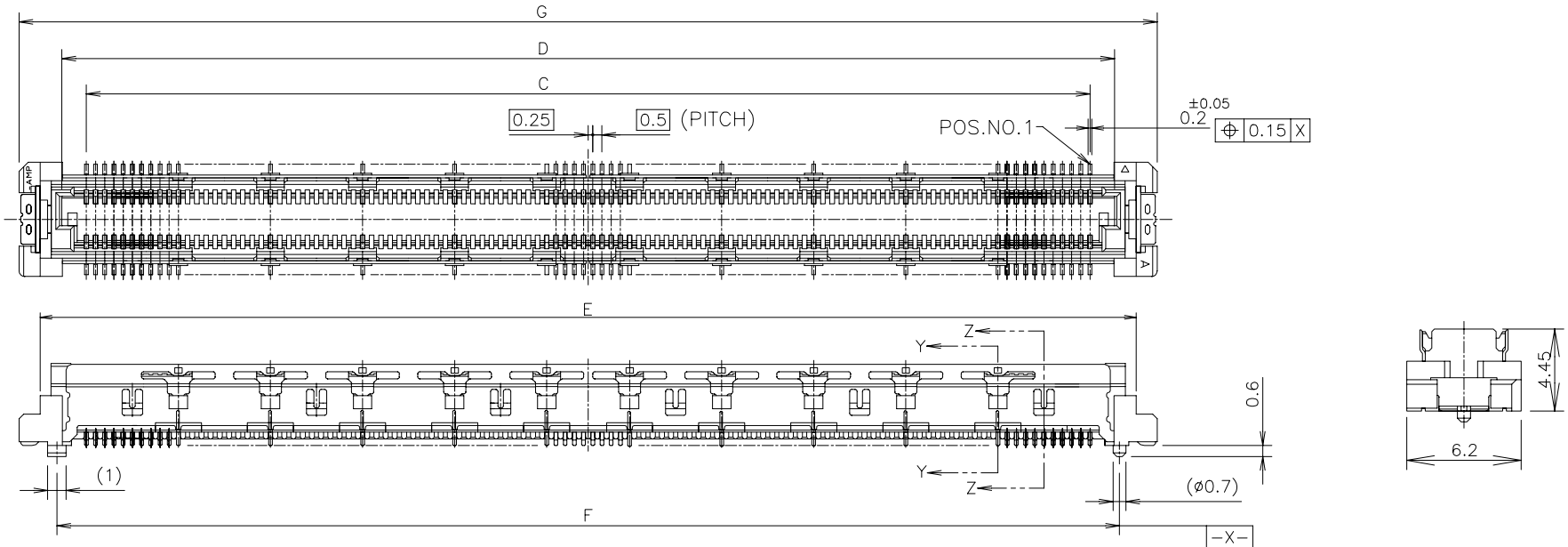
3

2

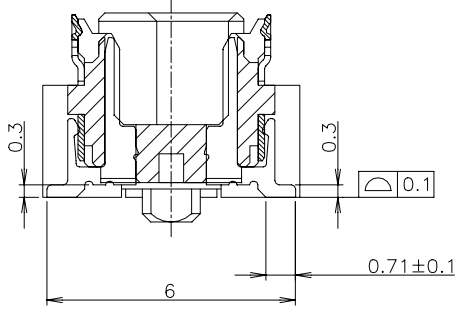
1

REVISIONS

P	LTR	DESCRIPTION	DATE	DWN	APVD
-	-	SEE SHEET 1	-	-	-



SECT. Z-Z (SIGNAL POSITION) (SCALE 8:1)



SECT. Y-Y (GROUND POSITION) (SCALE 8:1)

NOTES

- MATERIAL: HOUSING : HIGH TEMP THERMO PLASTIC UL94V-0
CONTACT : COPPER ALLOY
SOLDER PEG : COPPER ALLOY
- FINISH: SIGNAL CONTACT : UNDER PL Ni 0.0013mm MIN ALL OVER.
CONTACT AREA 0.0002mm MIN Au PL.
SOLDERING AREA 0.00005mm MIN Au PL.
GROUND CONTACT : UNDER PL Ni 0.0013mm MIN ALL OVER.
CONTACT AREA 0.0002mm MIN Au PL.
SOLDERING AREA 0.00005mm MIN Au PL.
SOLDER PEG : 0.001mm MIN Sn PL. OVER
0.0013mm MIN Ni PL ALL OVER.
- THIS POSITION IS GROUND CIRCUIT.

61.8	57.7	59.5	57.1	54.5	220	BLACK	3-1827233-6
G	F	E	D	C	POS.	HSG COLOR	PART NO.

THIS DRAWING IS A CONTROLLED DOCUMENT.

DWN	<p>TE Connectivity Ltd.</p> <p>HARD TRAY ASSY FH 0.5 BTB CONNECTOR 440POS PLUG 5H W/G-PLATE ON 2 ROW CAP</p>								
CHK									
APVD									
PRODUCT SPEC									
APPLICATION SPEC									
WEIGHT	<table border="1"> <tr> <td>SIZE</td> <td>CAGE CODE</td> <td>DRAWING NO</td> <td>RESTRICTED TO</td> </tr> <tr> <td>A3</td> <td>00779</td> <td>C=1827233</td> <td></td> </tr> </table>	SIZE	CAGE CODE	DRAWING NO	RESTRICTED TO	A3	00779	C=1827233	
SIZE	CAGE CODE	DRAWING NO	RESTRICTED TO						
A3	00779	C=1827233							
CUSTOMER DRAWING	<table border="1"> <tr> <td>SCALE</td> <td>SHEET</td> <td>REV</td> </tr> <tr> <td>4:1</td> <td>3 OF 4</td> <td>C</td> </tr> </table>	SCALE	SHEET	REV	4:1	3 OF 4	C		
SCALE	SHEET	REV							
4:1	3 OF 4	C							

X-ON Electronics

Largest Supplier of Electrical and Electronic Components

Click to view similar products for [Board to Board & Mezzanine Connectors](#) category:

Click to view products by [TE Connectivity](#) manufacturer:

Other Similar products are found below :

[589158040000018](#) [MDF7C-18P-2.54DSA\(55\)](#) [FCN-230C068-11](#) [FCN-268F012-G/BD](#) [FCN-268F036-G/BD](#) [FCN-268M012-G/0D](#) [FCN-268M024-G/1D](#) [FCN-723J004/1](#) [MIS-048-01-F-D-DP-K](#) [832-10-034-10-001000](#) [FX4C-80S-1.27DSA](#) [FCN-214Q030-G/0](#) [FCN-234P048-G/0](#) [FCN-235D050-G/C](#) [210-93-314-41-105000](#) [2-22603-0](#) [MDF7-40DP-2.54DSA\(55\)](#) [AXG720047](#) [5031084030](#) [MIT-114-03-F-D-K](#) [55323-1519](#) [DF33-2P-3.3DSA\(24\)](#) [YFT-20-05-H-03-SB-K](#) [503308-3040](#) [026-6203-PDB](#) [027-6203-PDB](#) [069159702701000](#) [10123981-102LF](#) [101A10019X](#) [55650-0588-C](#) [68682-310LF](#) [68684-306](#) [75140-7012](#) [87471-650](#) [194261-1](#) [FCN-268F024-G0D](#) [10124054-515LF](#) [68685-603](#) [8-1616154-3](#) [MIS-019-01-F-D](#) [FCN-268M024-G/3D](#) [20021832-06016C1LF](#) [KX15-20KLDL-E1000E](#) [MDF7-16DP-2.54DSA\(55\)](#) [AXE810124](#) [FCN-214J100-G/0](#) [FCN-230C068-E/S](#) [AXE812124](#) [AXE816124](#) [AXE720127](#)